



US00D937090S

(12) **United States Design Patent**  
**Favor**

(10) **Patent No.:** **US D937,090 S**

(45) **Date of Patent:** **\*\* Nov. 30, 2021**

(54) **PERFUME BOTTLE**

(71) Applicant: **Anthony G. Favor**, Lake George, NY  
(US)

(72) Inventor: **Anthony G. Favor**, Lake George, NY  
(US)

(\*\*) Term: **15 Years**

(21) Appl. No.: **29/739,985**

(22) Filed: **Jun. 30, 2020**

(51) **LOC (13) Cl.** ..... **09-01**

(52) **U.S. Cl.**  
USPC ..... **D9/535; D9/543; D9/575**

(58) **Field of Classification Search**

USPC ..... D9/434, 516, 530-531, 535, 543, 571,  
D9/575, 715, 719; D7/509-511, 533, 536  
CPC ..... B65D 1/00; B65D 1/02; B65D 1/0223;  
B65D 23/00; B65D 23/10; B65D 23/102;  
B65D 23/104; B65D 23/106; B65D  
2501/00; B65D 2501/0009; B65D  
2501/0081

See application file for complete search history.

(56) **References Cited**

**U.S. PATENT DOCUMENTS**

D199,699 S \* 12/1964 Dailey ..... D9/535  
D545,204 S \* 6/2007 Abergas ..... D9/454

D578,895 S \* 10/2008 Aravot ..... D9/535  
D614,037 S \* 4/2010 Backs ..... D9/528  
D653,549 S \* 2/2012 Holtz ..... D9/535  
D758,871 S \* 6/2016 Davis ..... D9/531  
D762,478 S \* 8/2016 Bayles ..... D9/529

\* cited by examiner

*Primary Examiner* — Dana Meyrow

(74) *Attorney, Agent, or Firm* — Schmeiser, Olsen &  
Watts, LLP

(57) **CLAIM**

The ornamental design for a perfume bottle, as shown and described.

**DESCRIPTION**

FIG. 1 is a perspective view of a perfume bottle of my new design;

FIG. 2 is a front view thereof;

FIG. 3 is a back view thereof;

FIG. 4 is a left side view thereof;

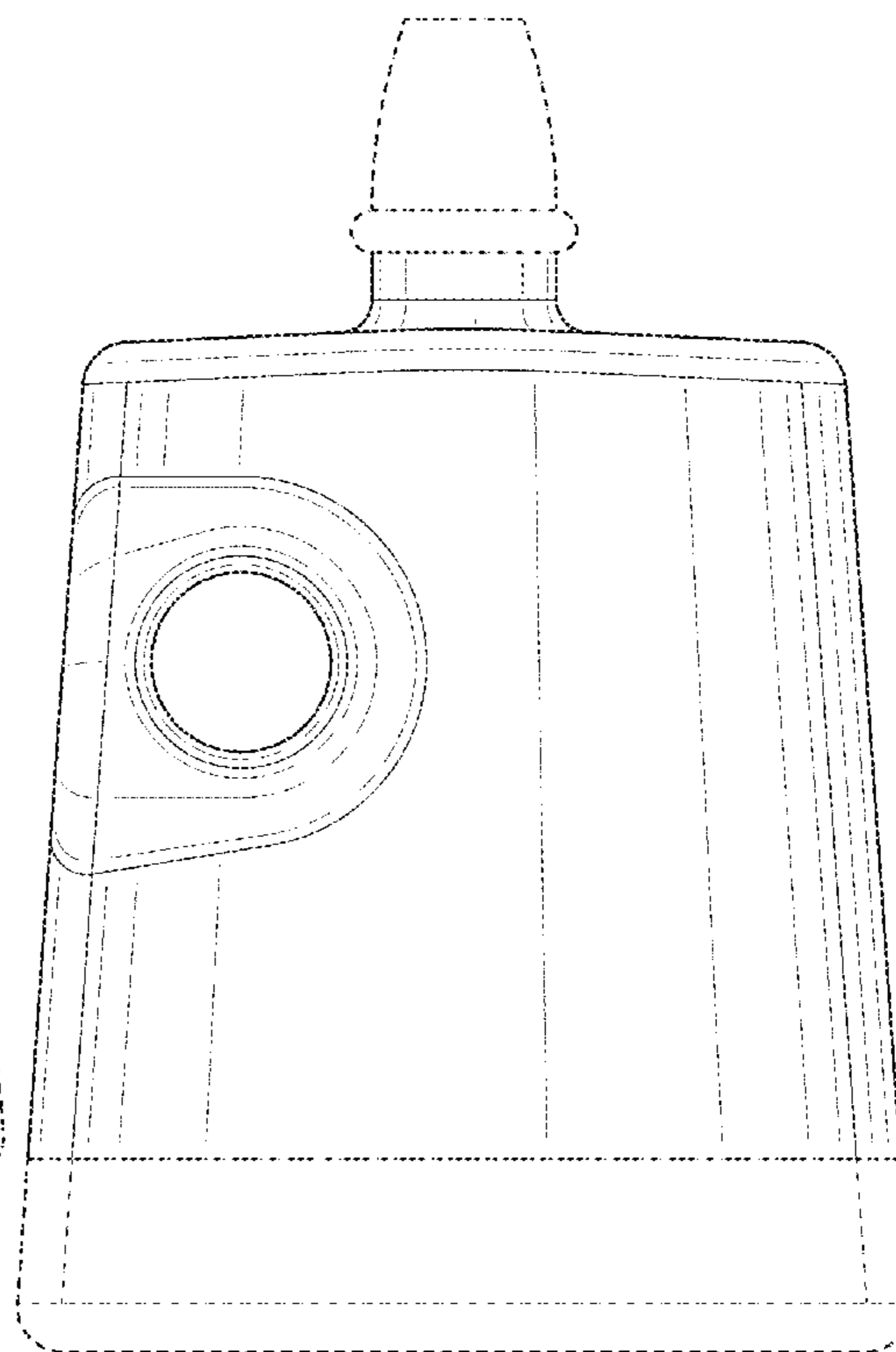
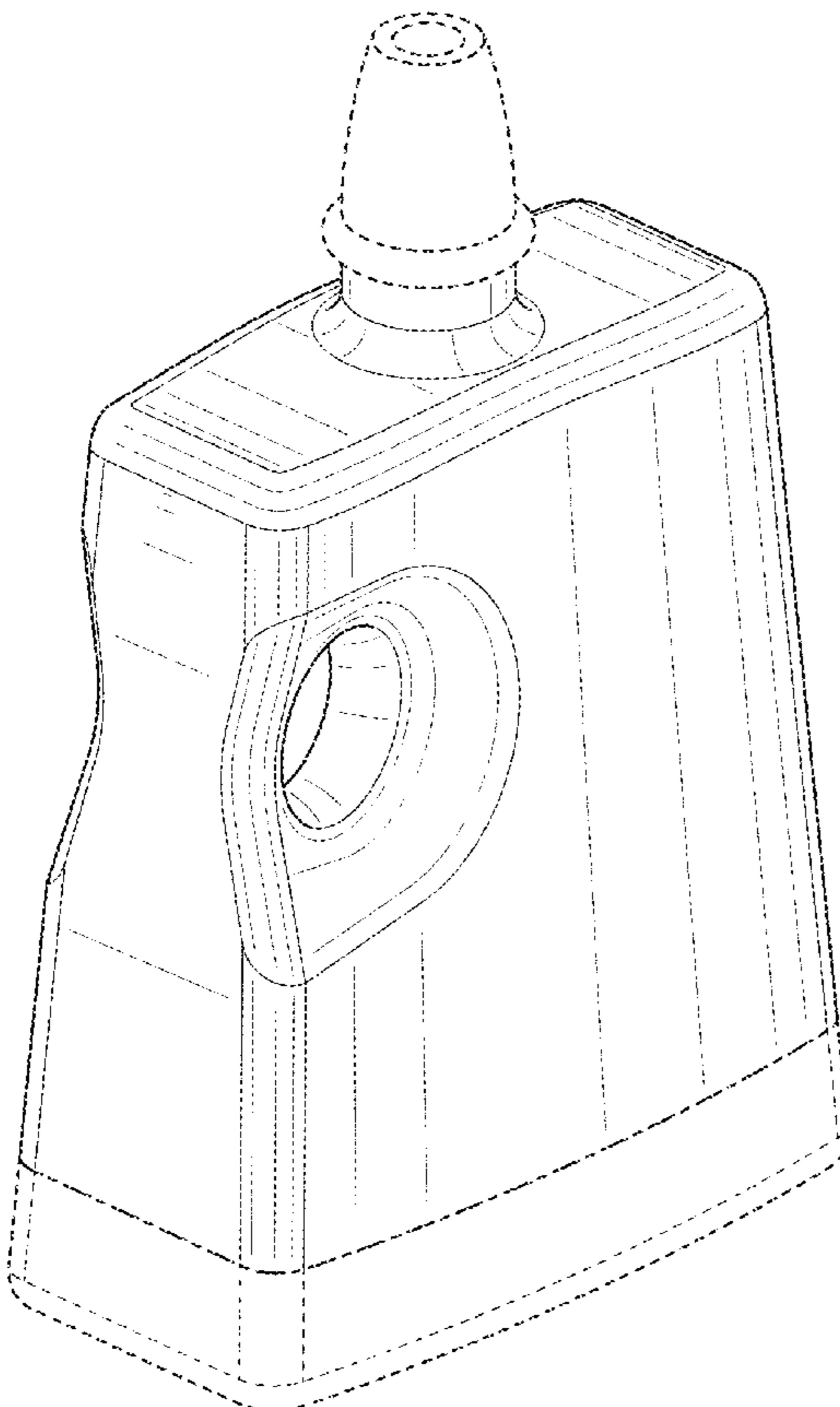
FIG. 5 is a right side view thereof;

FIG. 6 is a top view thereof; and,

FIG. 7 is a bottom view thereof.

The broken lines are for the purpose of illustrating environmental structure and forms no part of the claimed design.

**1 Claim, 5 Drawing Sheets**



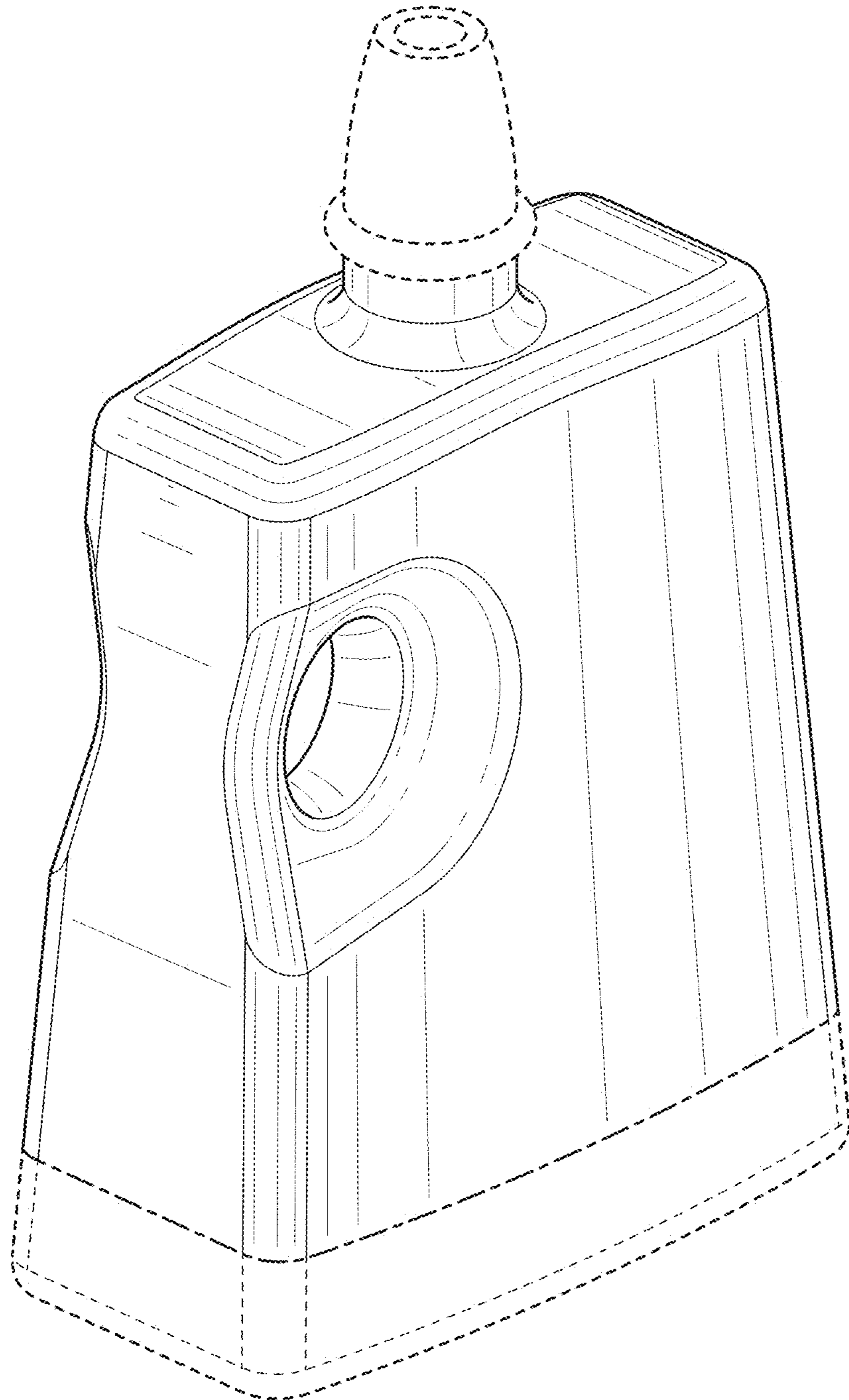


FIG. 1

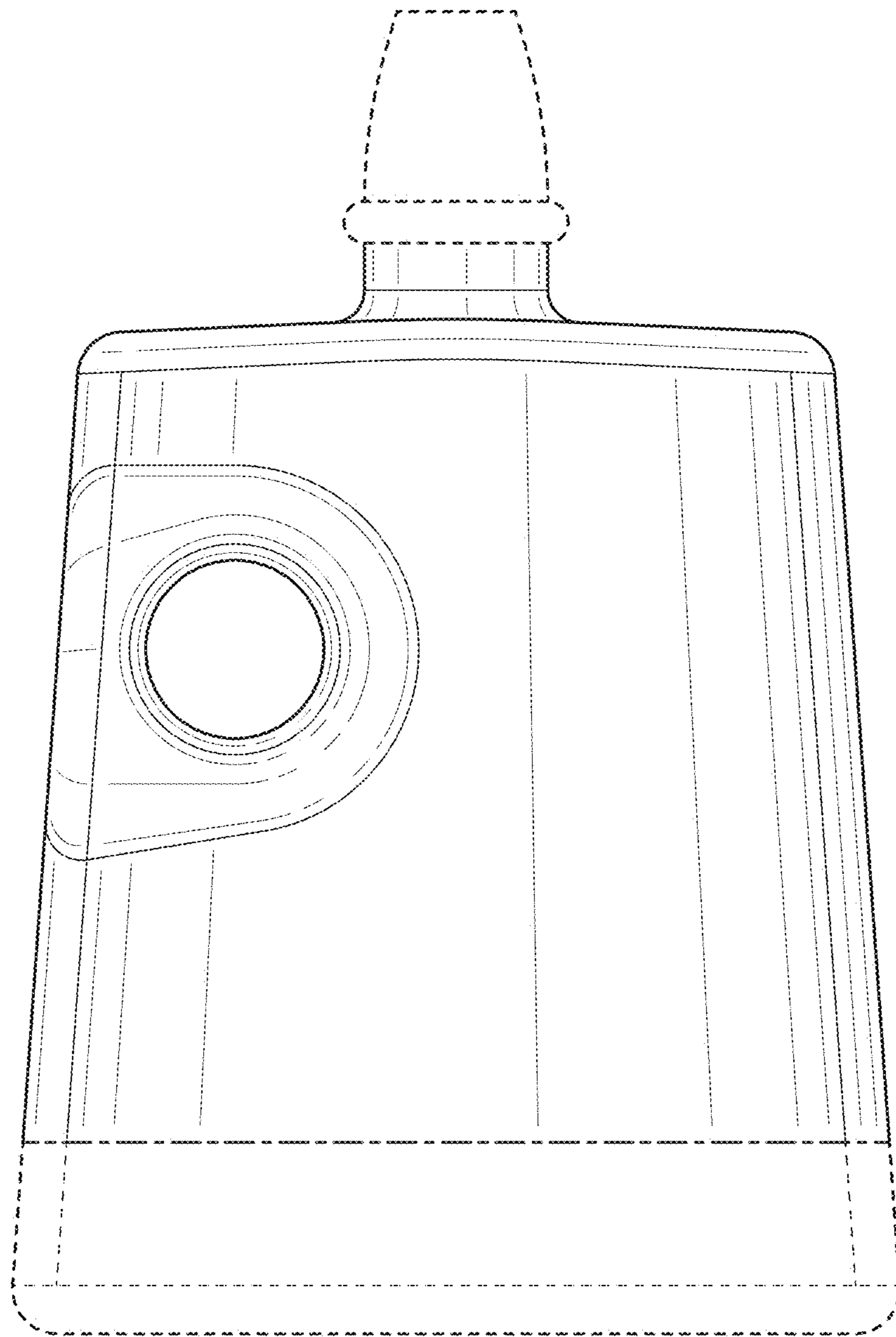


FIG. 2

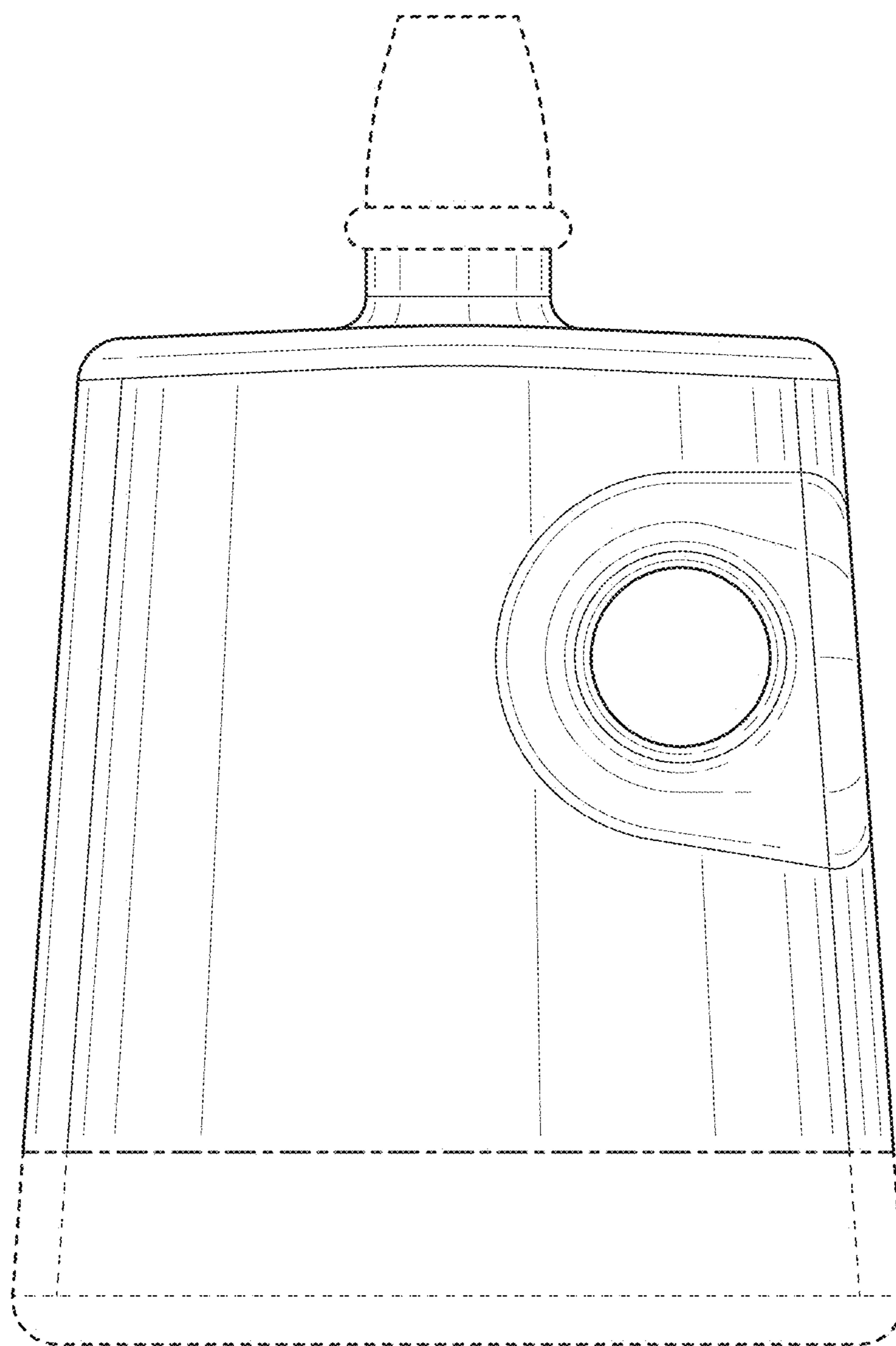


FIG. 3

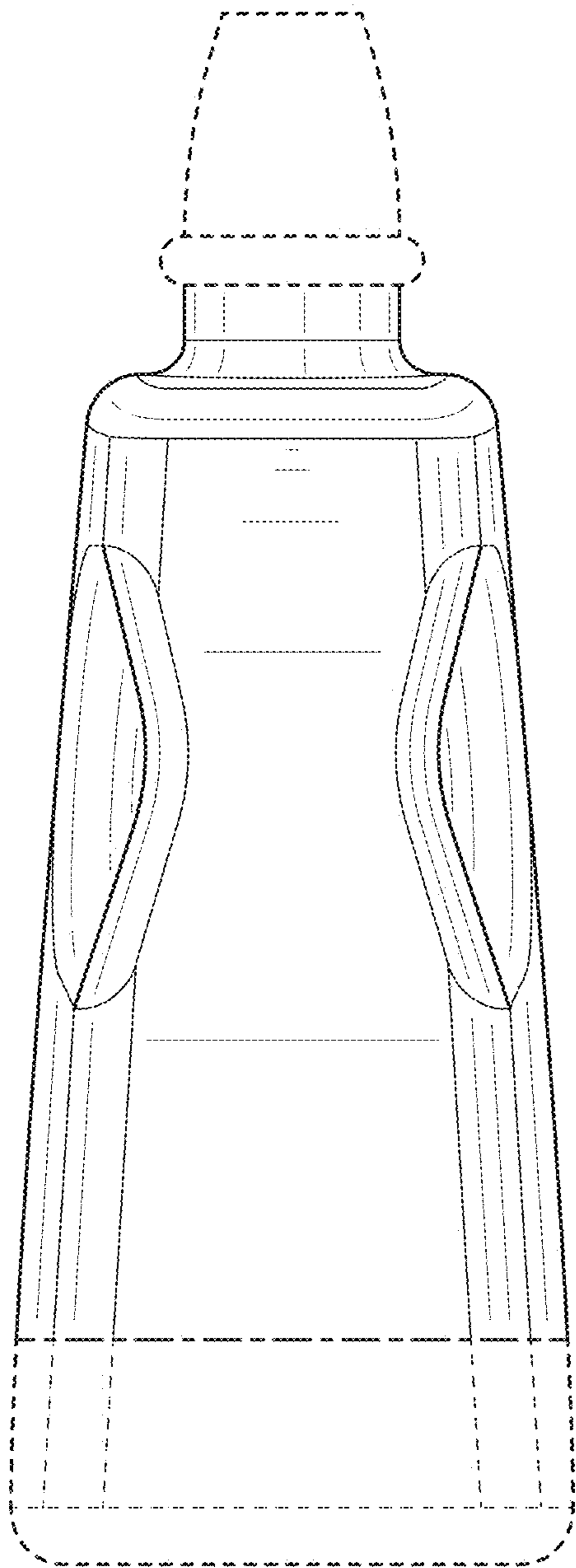


FIG. 4

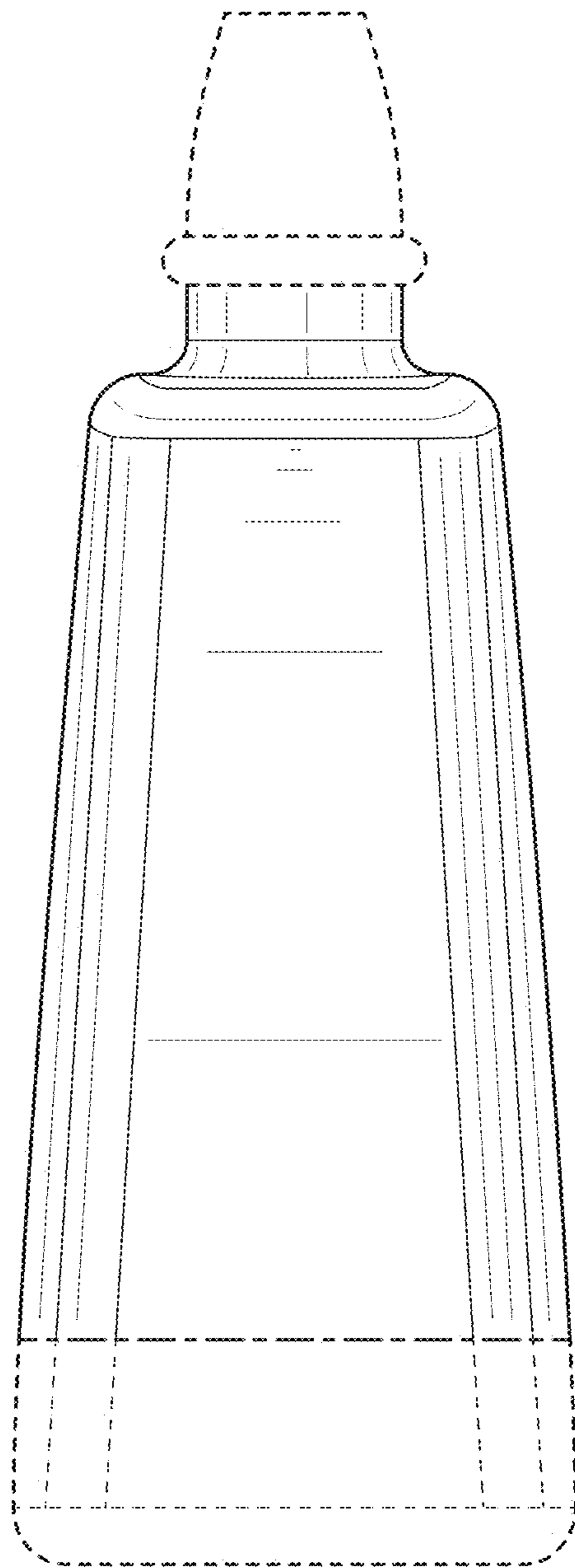


FIG. 5

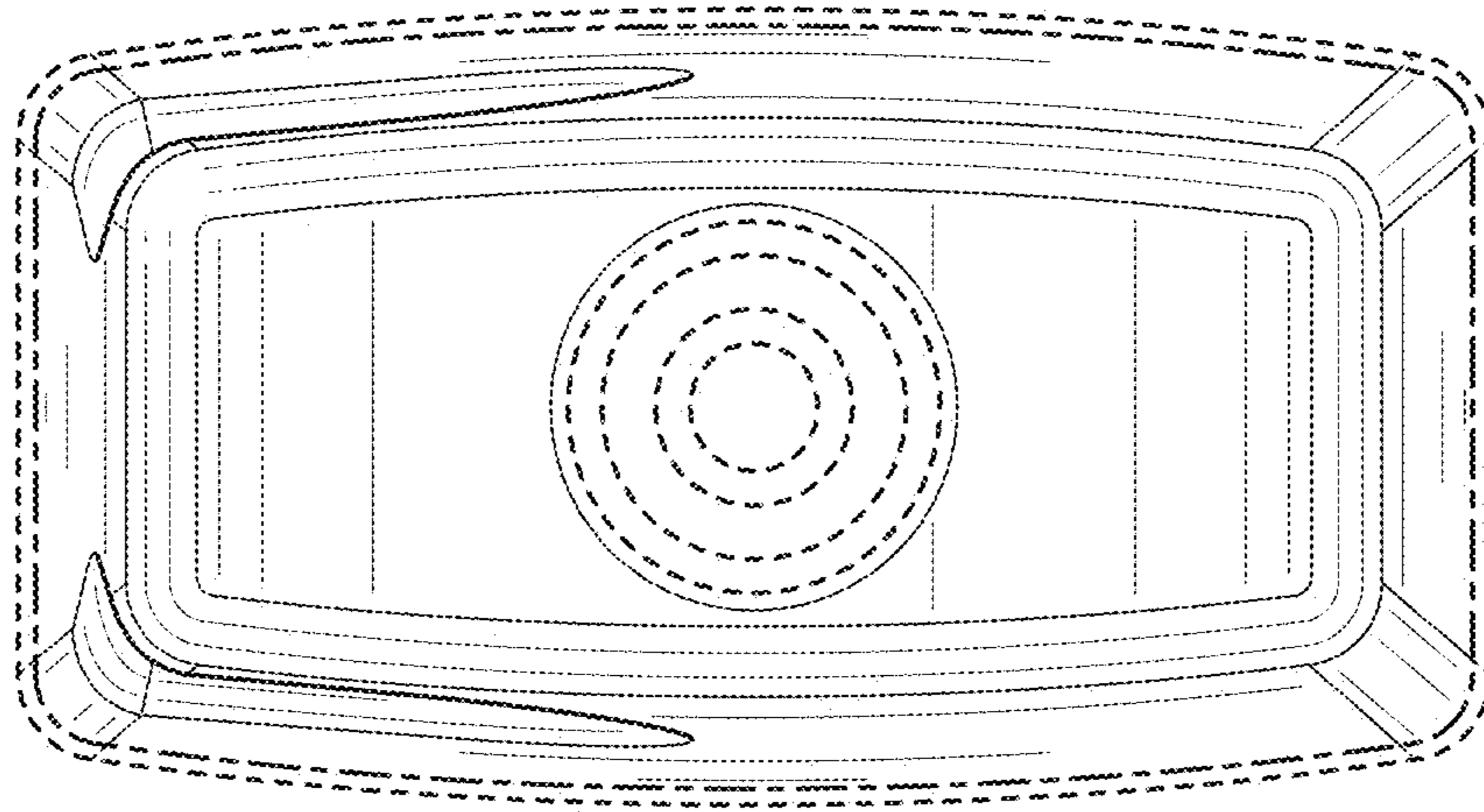


FIG. 6

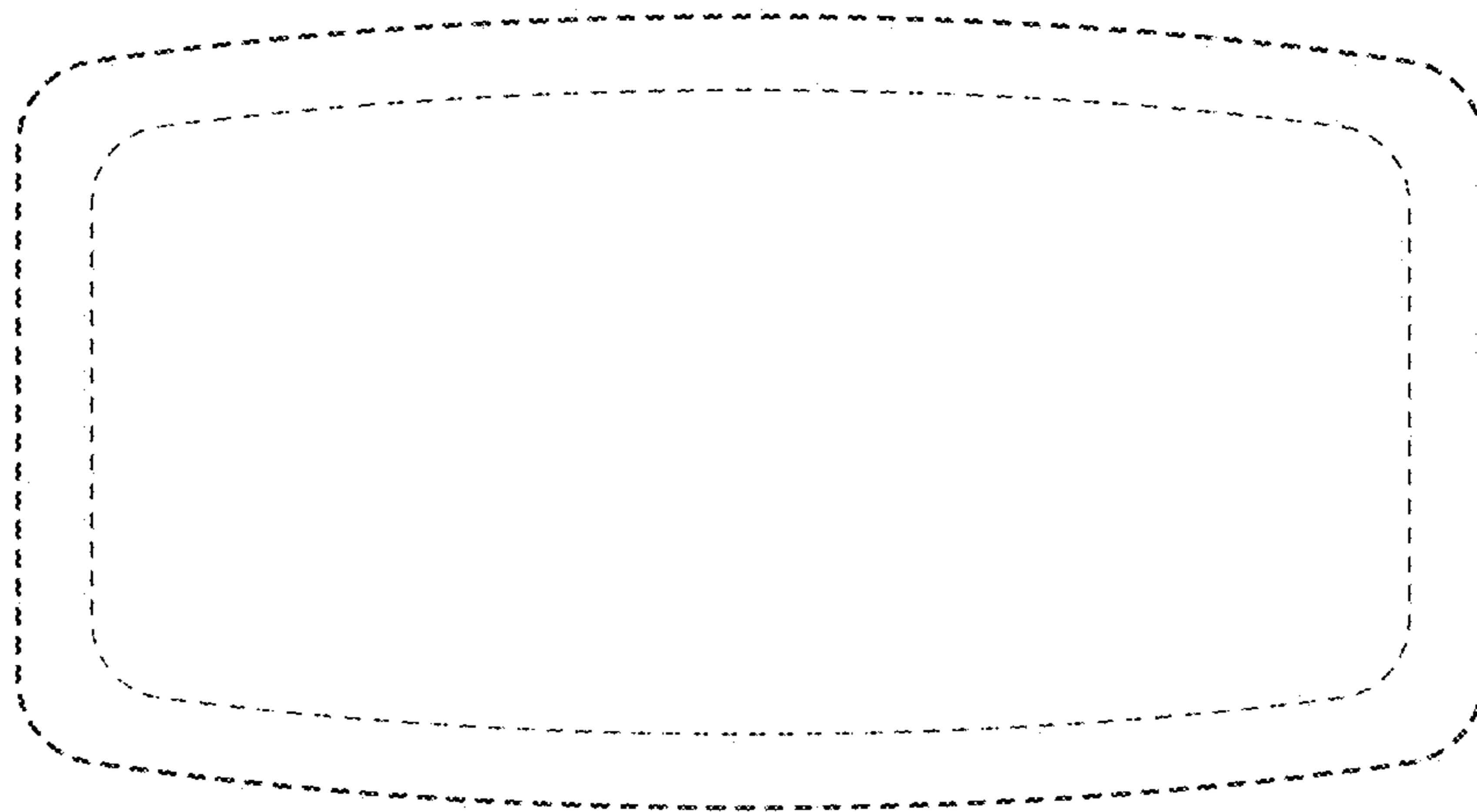


FIG. 7