



US00D937089S

(12) **United States Design Patent** (10) **Patent No.:** **US D937,089 S**  
**Bravman et al.** (45) **Date of Patent:** **\*\* Nov. 30, 2021**

(54) **BOTTLE WITH CAP**  
(71) Applicant: **Billie, Inc.**, New York, NY (US)  
(72) Inventors: **Jason Bravman**, New York, NY (US);  
**Georgina Gooley**, Brooklyn, NY (US);  
**Julia Nimocks**, Brooklyn, NY (US);  
**Noemie Le Coz**, Brooklyn, NY (US);  
**Dylan Johnson**, Brooklyn, NY (US);  
**Dilan Walpola**, Plano, TX (US); **Daniel Nelson**, Plano, TX (US)

D553,254 S \* 10/2007 Colin ..... D9/500  
D608,202 S \* 1/2010 Caroan ..... D9/500  
D613,165 S \* 4/2010 Lane ..... D9/500  
D626,417 S \* 11/2010 Kim ..... D9/503  
D639,177 S \* 6/2011 Pape ..... D9/550  
D734,154 S \* 7/2015 Johnson ..... D9/500  
D739,083 S \* 9/2015 Ho ..... D9/556  
D763,696 S \* 8/2016 Eisen ..... D9/529  
D782,321 S \* 3/2017 Ihorovych ..... D9/558  
D859,998 S \* 9/2019 Lee ..... D9/503  
D866,338 S \* 11/2019 Eisen ..... D9/503  
D917,290 S \* 4/2021 Bravman ..... D9/500  
D920,791 S \* 6/2021 Chupak ..... D9/500

(73) Assignee: **Billie, Inc.**, New York, NY (US)

**FOREIGN PATENT DOCUMENTS**

(\*\*) Term: **15 Years**

EM 004670974-0001 \* 1/2018  
JP D1298654 \* 4/2007

(21) Appl. No.: **29/719,080**

\* cited by examiner

(22) Filed: **Dec. 31, 2019**

*Primary Examiner* — Brett Miller

(51) **LOC (13) Cl.** ..... **09-01**

*Assistant Examiner* — Rani J Abdallah

(52) **U.S. Cl.**

(74) *Attorney, Agent, or Firm* — Lowenstein Sandler LLP

USPC ..... **D9/503**; D9/453; D9/575

(58) **Field of Classification Search**

(57) **CLAIM**

USPC ..... D9/500–505, 516, 519, 523, 529, 549,  
D9/550, 556, 558, 563, 575, 547, 548,  
D9/453

The ornamental design of a bottle with cap, as substantially shown and described.

CPC .... B65D 1/0246; B65D 41/04; B65D 1/0223;  
B65D 2543/00092; Y10S 220/906

**DESCRIPTION**

See application file for complete search history.

FIG. 1 is a perspective view of a bottle with cap in accordance with the present invention; FIG. 2 is another perspective view thereof; FIG. 3 is an elevation view thereof; FIG. 4 is a top plan view thereof; and, FIG. 5 is a bottom plan view thereof.

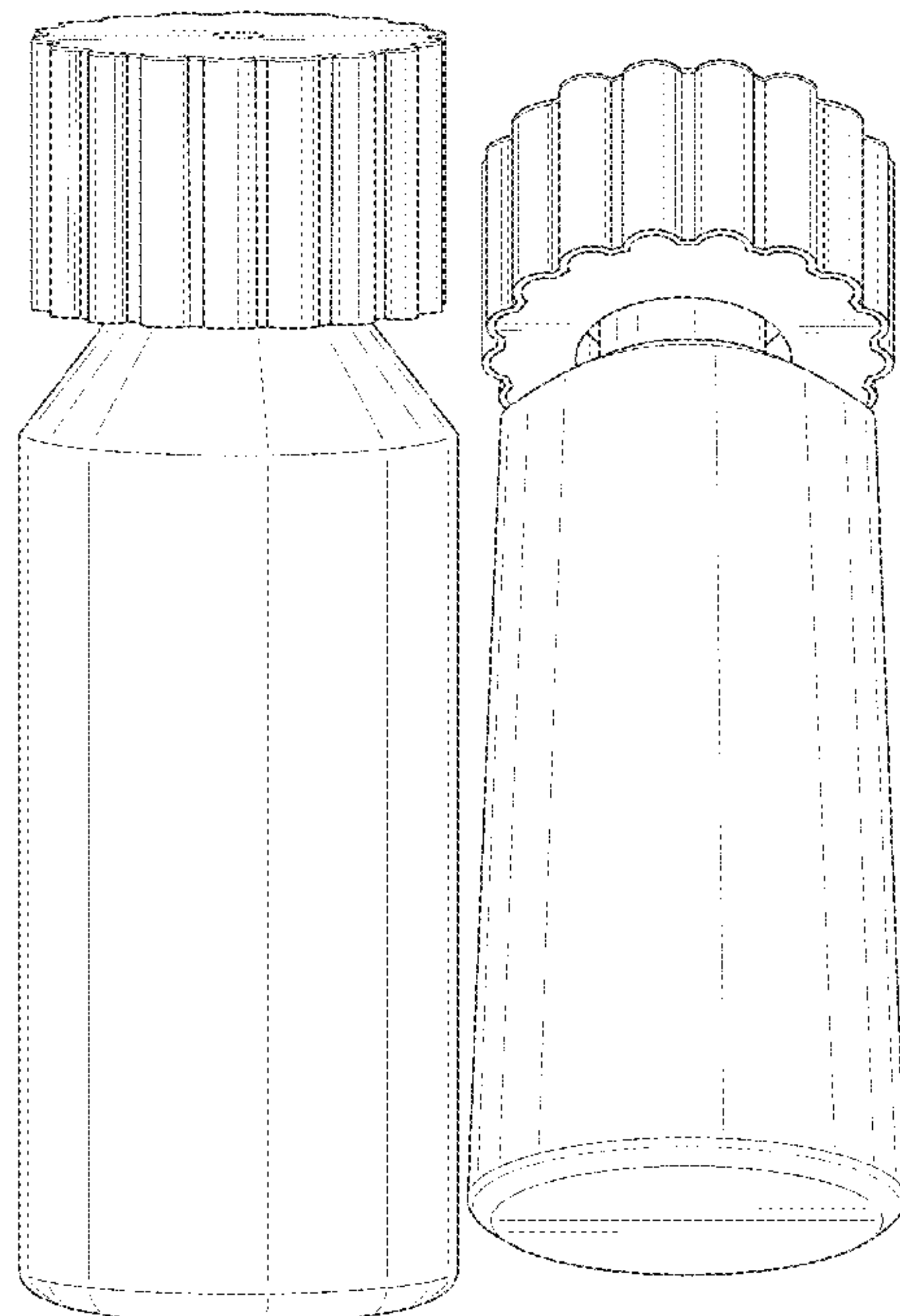
(56) **References Cited**

The portions of the bottle with cap shown in broken lines form no part of the claimed design.

**U.S. PATENT DOCUMENTS**

D332,050 S \* 12/1992 Schmidt ..... D9/502  
D335,451 S \* 5/1993 Schmidt ..... D9/502  
D354,914 S \* 1/1995 Newman ..... D9/503  
D385,494 S \* 10/1997 Balz ..... D9/500  
D471,815 S \* 3/2003 Gnann ..... D9/500

**1 Claim, 4 Drawing Sheets**



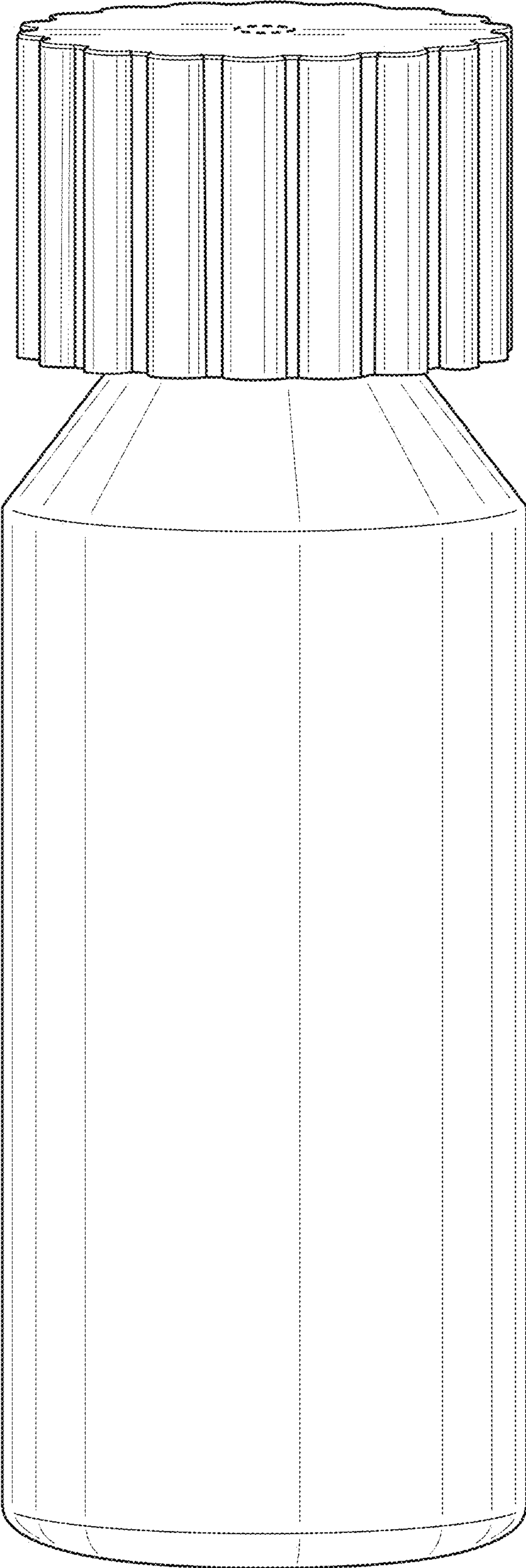


FIG. 1

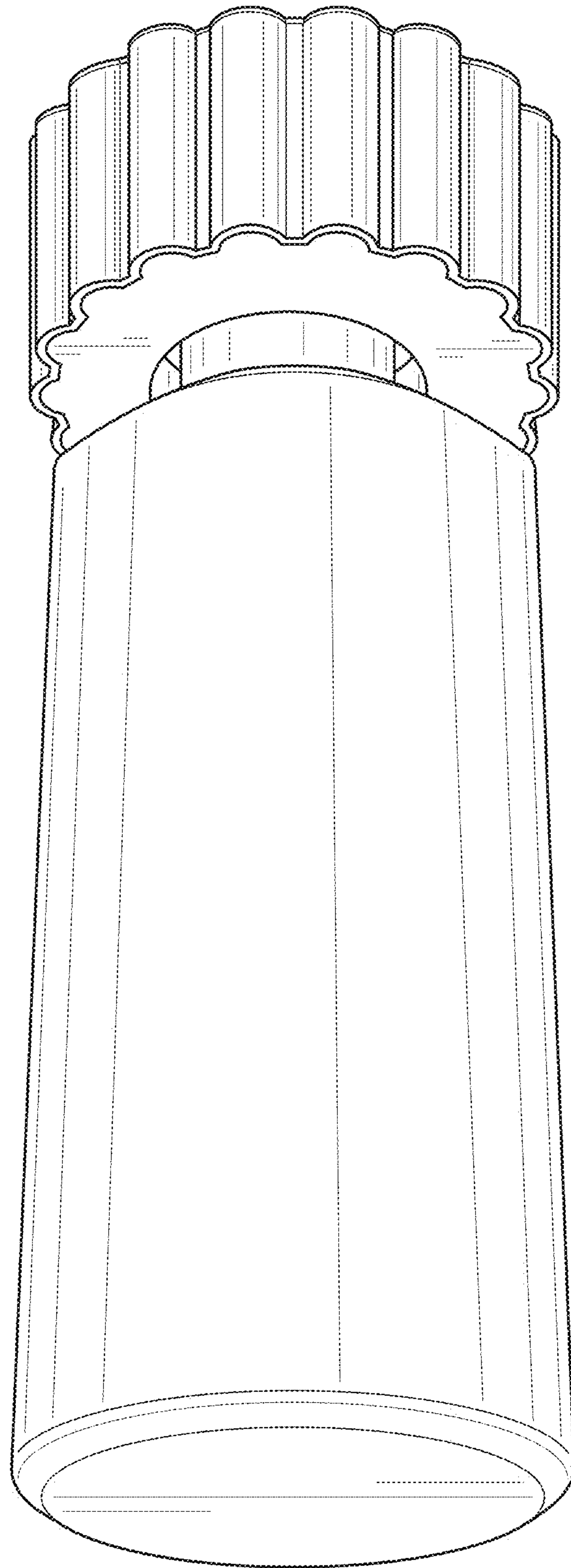


FIG. 2

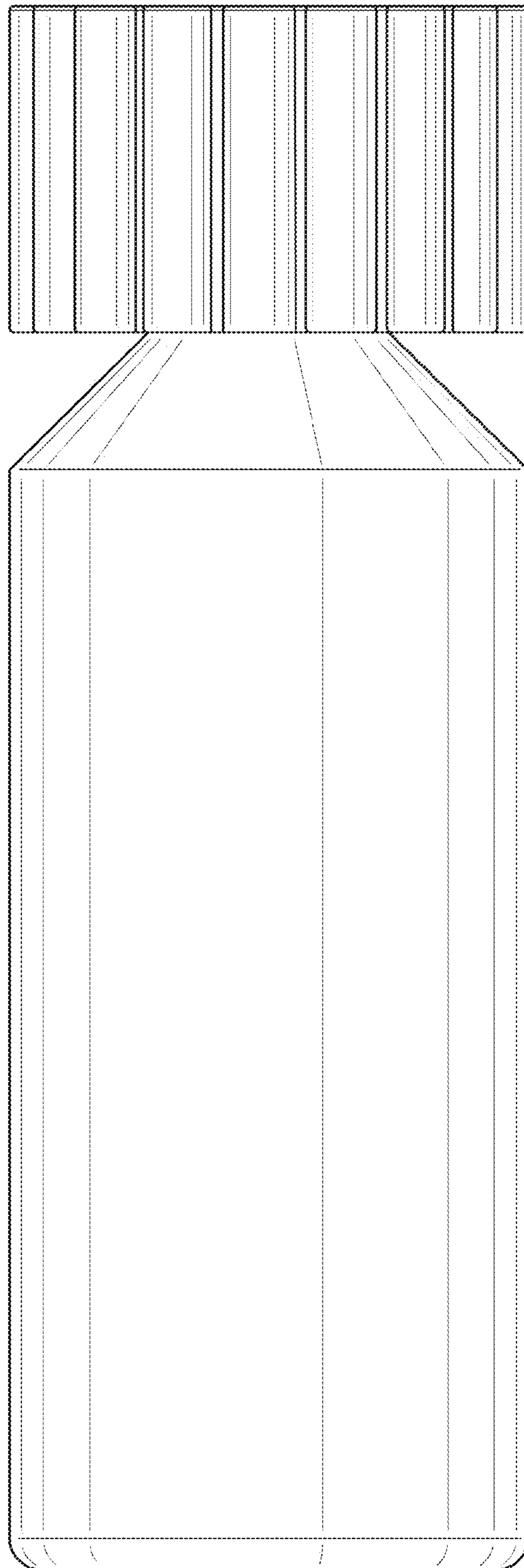


FIG. 3



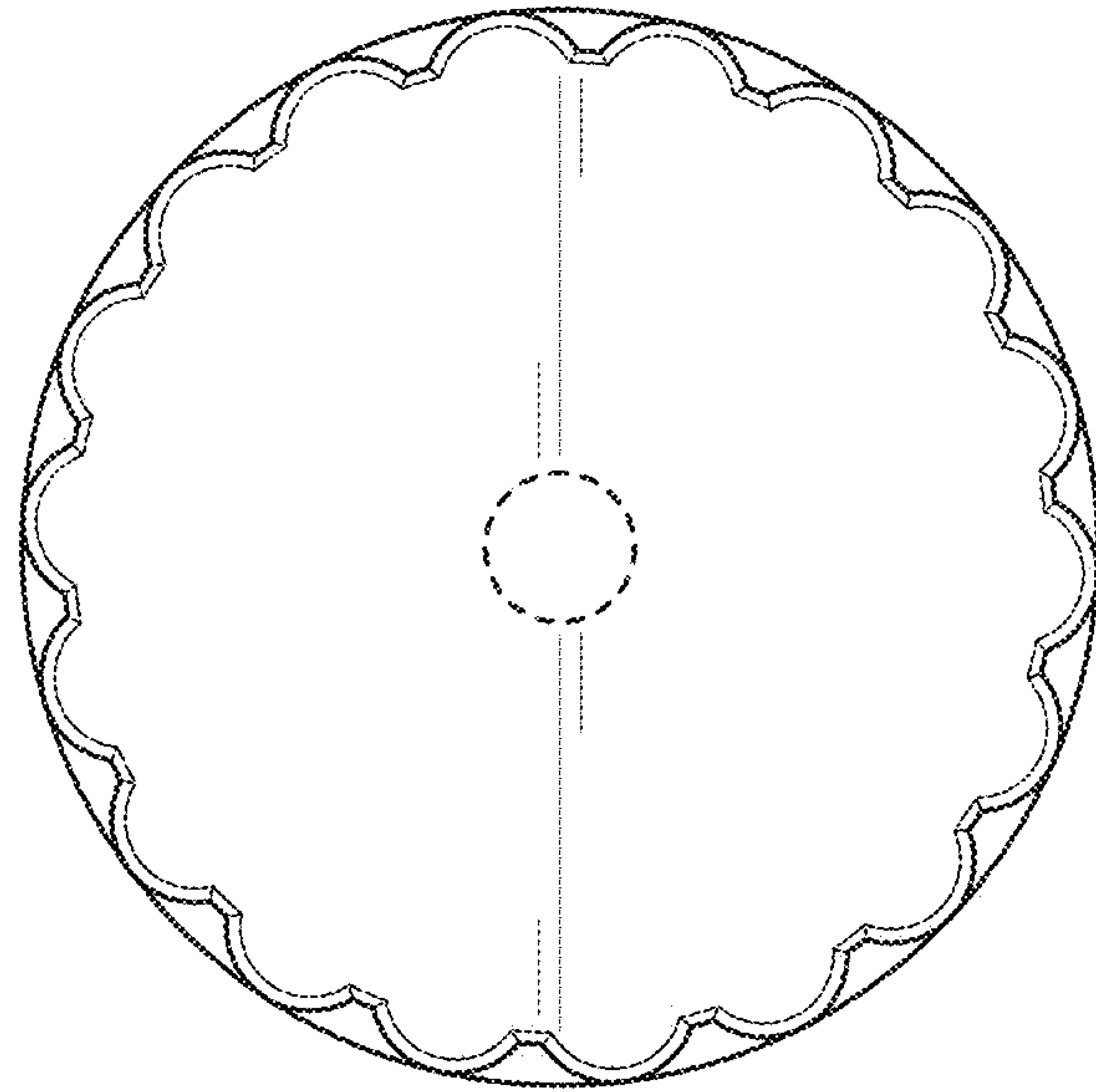


FIG. 4

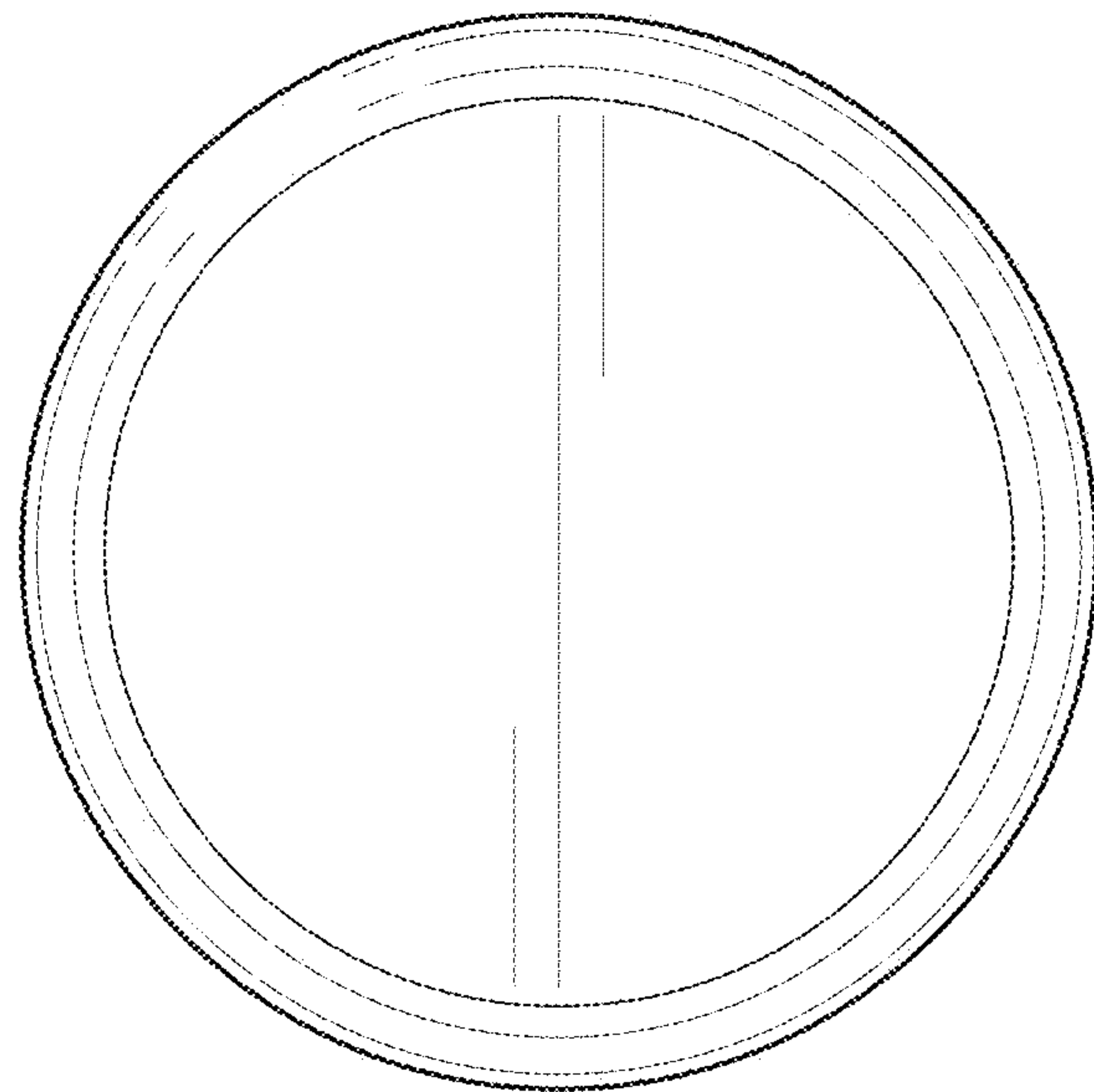


FIG. 5