



US00D937088S

(12) **United States Design Patent** (10) **Patent No.:** **US D937,088 S**
Bravman et al. (45) **Date of Patent:** **** Nov. 30, 2021**

(54) **BOTTLE WITH CAP**
(71) Applicant: **Billie, Inc.**, New York, NY (US)
(72) Inventors: **Jason Bravman**, New York, NY (US);
Georgina Gooley, Brooklyn, NY (US);
Julia Nimocks, Brooklyn, NY (US);
Noemie Le Coz, Brooklyn, NY (US);
Dylan Johnson, Brooklyn, NY (US);
Dilan Walpola, Plano, TX (US); **Daniel Nelson**, Plano, TX (US)
(73) Assignee: **Billie, Inc.**, New York, NY (US)

D624,821 S *	10/2010	Leonardis	D9/503
D626,417 S *	11/2010	Kim	D9/503
D639,177 S *	6/2011	Pape	D9/550
D734,154 S *	7/2015	Johnson	D9/500
D739,083 S *	9/2015	Ho	D9/556
D763,696 S *	8/2016	Eisen	D9/529
D782,321 S *	3/2017	Ihorovych	D9/558
D790,279 S *	6/2017	Izen	D9/500
D804,309 S *	12/2017	Hines	D9/500
D848,265 S *	5/2019	Harris	D9/500
D859,998 S *	9/2019	Lee	D9/503
D866,338 S *	11/2019	Eisen	D9/503
D867,519 S *	11/2019	Furgurson	D9/503
D878,919 S *	3/2020	Randazzo	D9/503
D917,290 S *	4/2021	Bravman	D9/500
D920,791 S *	6/2021	Chupak	D9/500

(**) Term: **15 Years**

FOREIGN PATENT DOCUMENTS

(21) Appl. No.: **29/719,074**

EM	004670974-0001	*	1/2018
JP	D1298654	*	4/2007

(22) Filed: **Dec. 31, 2019**

* cited by examiner

(51) **LOC (13) Cl.** **09-01**

(52) **U.S. Cl.**
USPC **D9/503**; D9/453; D9/575

(58) **Field of Classification Search**
USPC D9/500-505, 516, 519, 523, 529, 549,
D9/550, 556, 558, 563, 575, 547, 548,
D9/453
CPC B65D 1/0246; B65D 41/04; B65D 1/0223;
B65D 2543/00092; Y10S 220/906
See application file for complete search history.

Primary Examiner — Brett Miller

Assistant Examiner — Rani J Abdallah

(74) *Attorney, Agent, or Firm* — Lowenstein Sandler LLP

(57) **CLAIM**

The ornamental design of a bottle with cap, as substantially shown and described.

DESCRIPTION

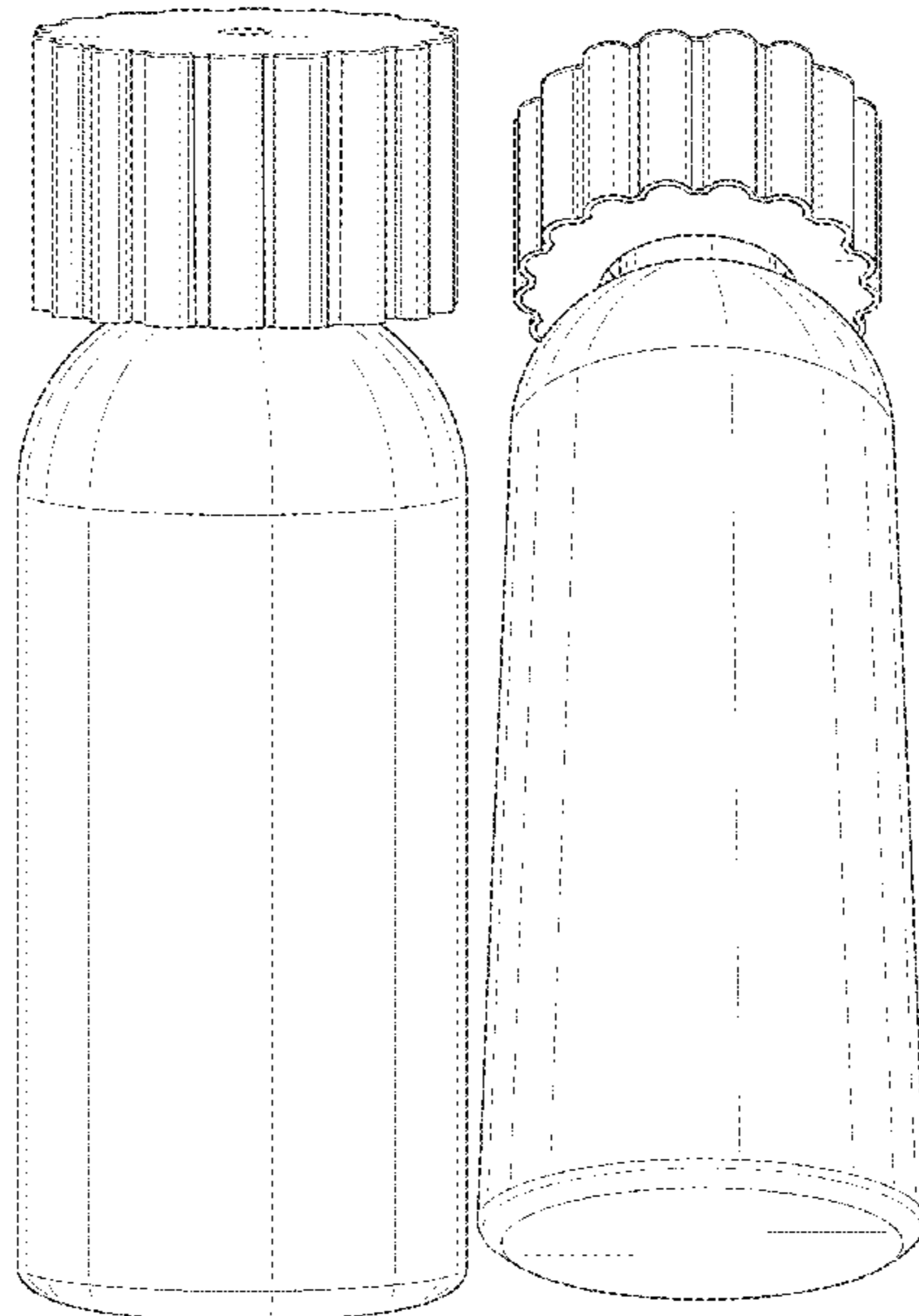
(56) **References Cited**

U.S. PATENT DOCUMENTS

D332,050 S *	12/1992	Schmidt	D9/502
D335,451 S *	5/1993	Schmidt	D9/502
D354,914 S *	1/1995	Newman	D9/503
D385,494 S *	10/1997	Balz	D9/500
D471,815 S *	3/2003	Gnann	D9/500
D553,254 S *	10/2007	Colin	D9/500
D608,202 S *	1/2010	Caroen	D9/500
D613,165 S *	4/2010	Lane	D9/500

FIG. 1 is a perspective view of a bottle with cap in accordance with the present invention; FIG. 2 is another perspective view thereof; FIG. 3 is an elevation view thereof; FIG. 4 is a top plan view thereof; and, FIG. 5 is a bottom plan view thereof. The portions of the bottle with cap shown in broken lines form no part of the claimed design.

1 Claim, 4 Drawing Sheets



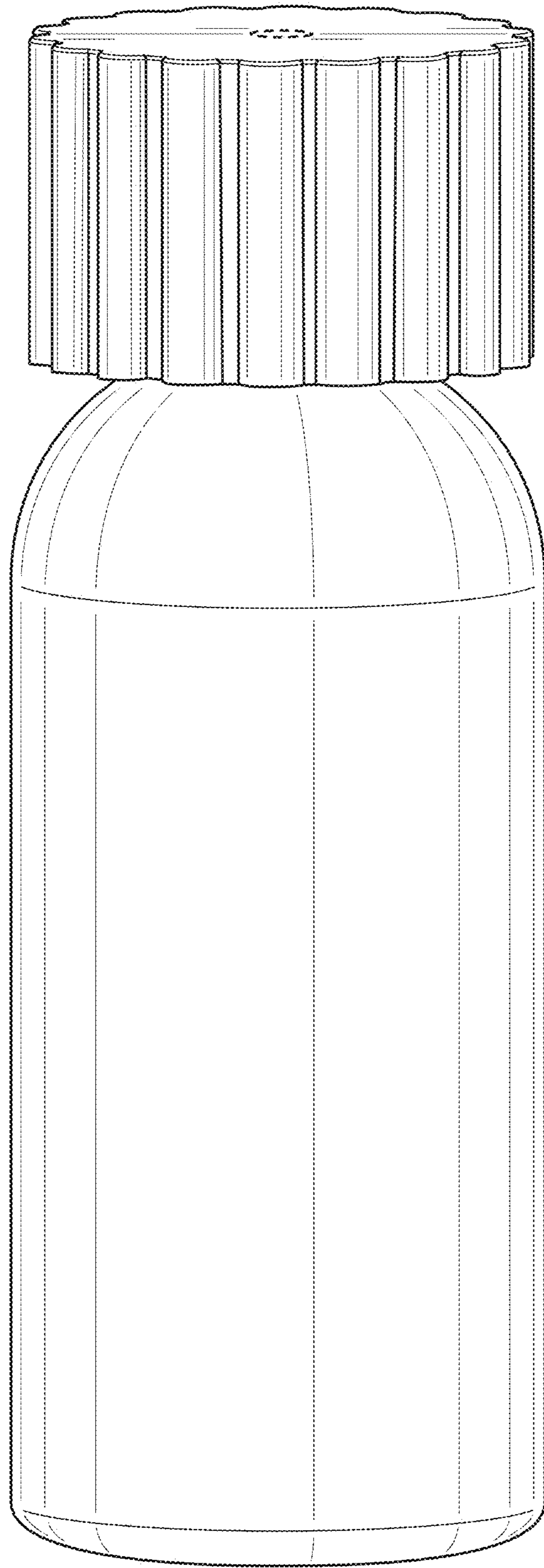


FIG. 1

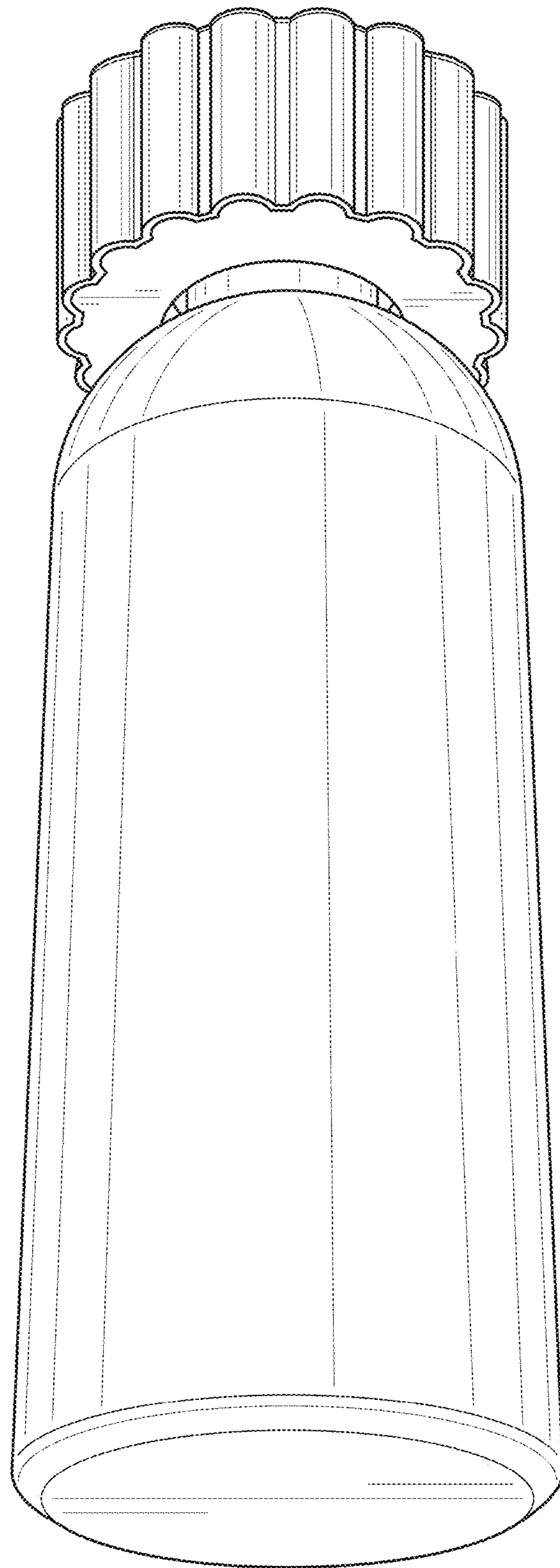


FIG. 2

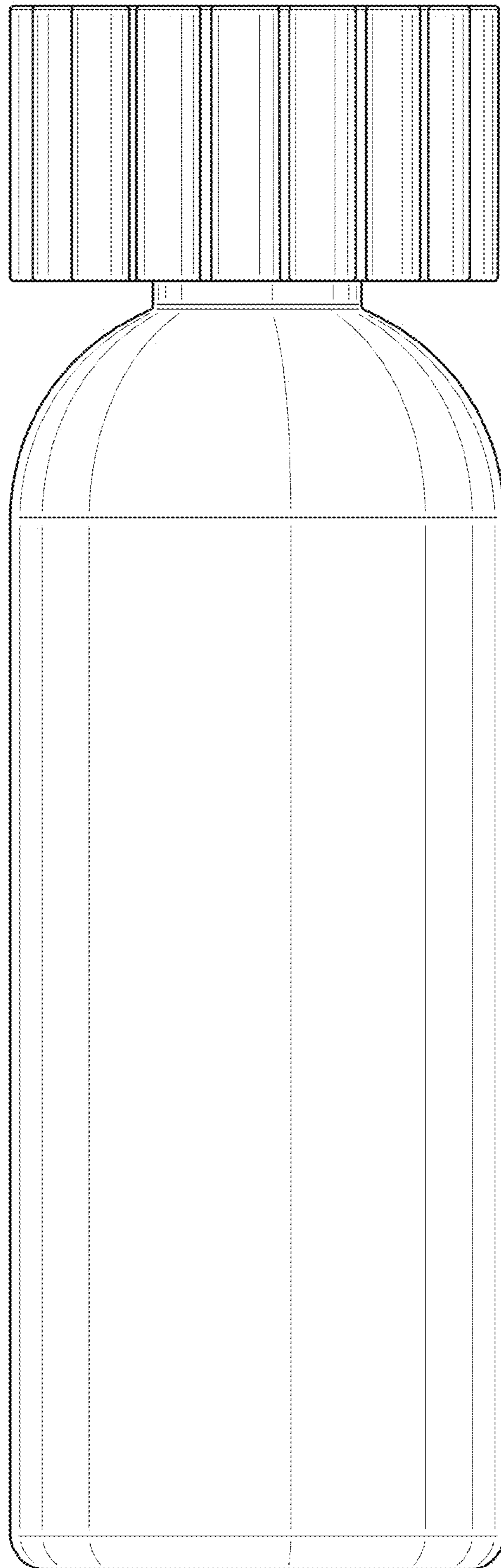


FIG. 3

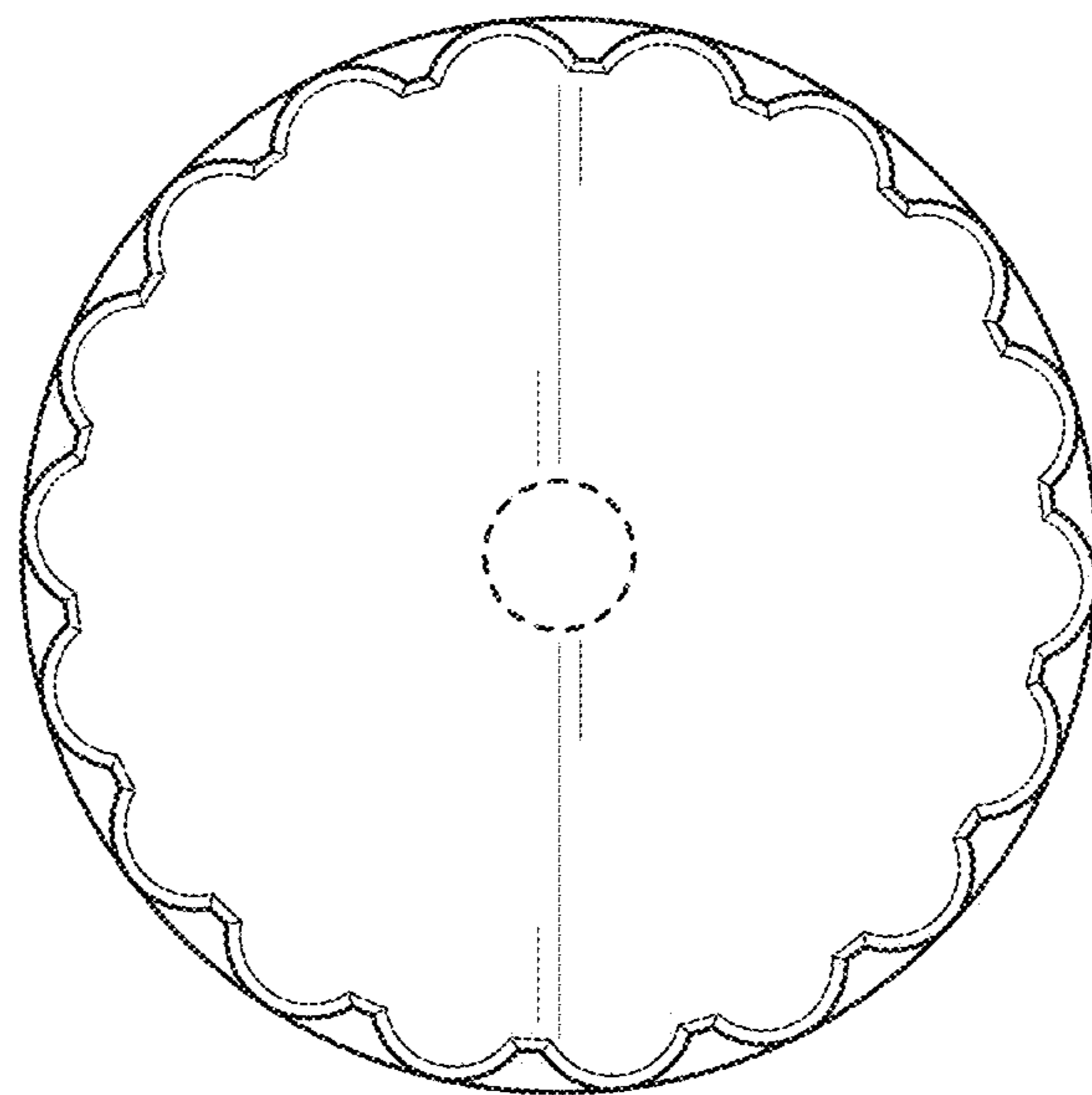


FIG. 4

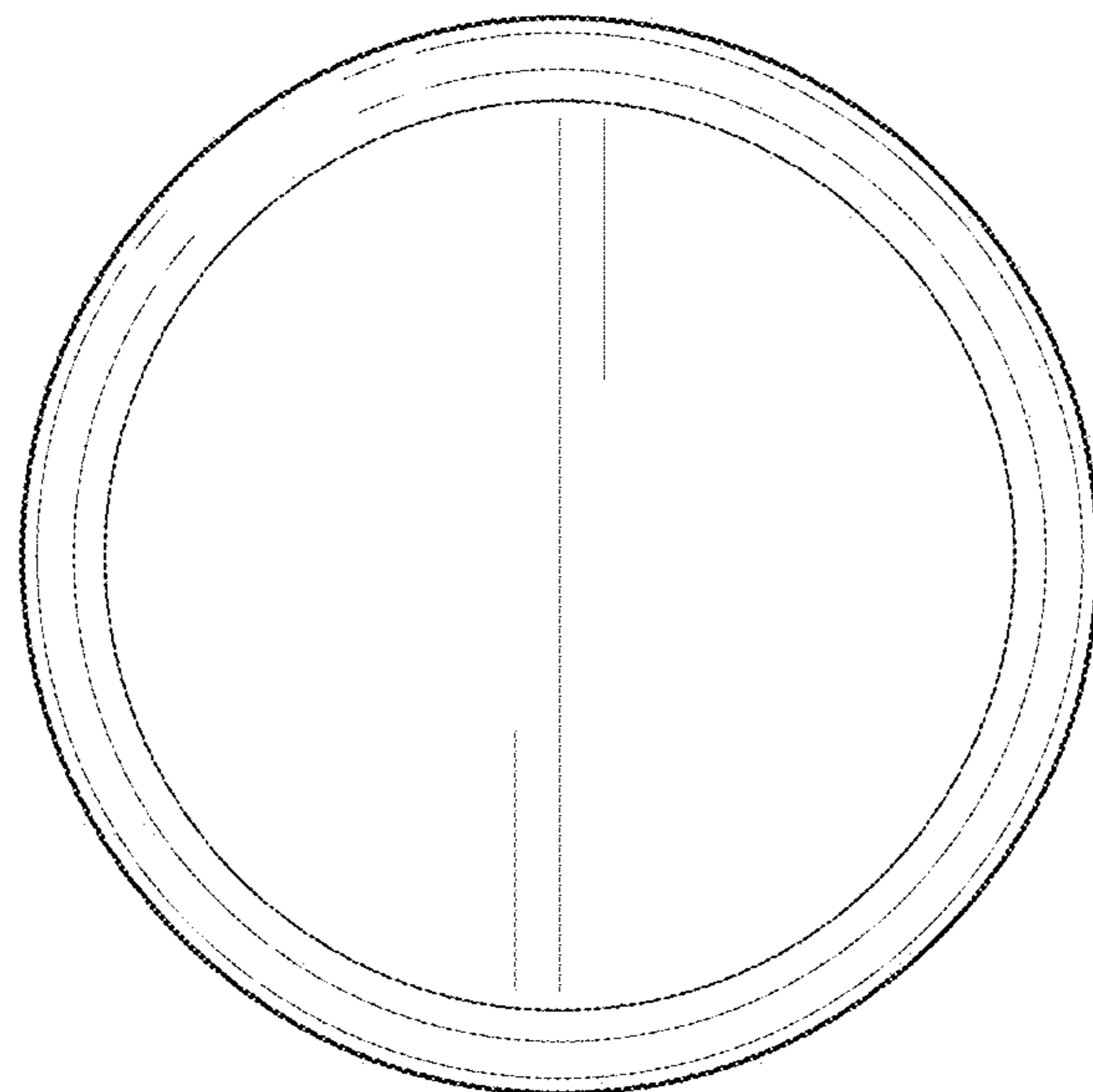


FIG. 5