



US00D937087S

(12) **United States Design Patent** (10) **Patent No.:** **US D937,087 S**
Gauger et al. (45) **Date of Patent:** **** Nov. 30, 2021**

(54) **PACKAGING BOX WITH LID**

FOREIGN PATENT DOCUMENTS

(71) Applicant: **Kimberly-Clark Worldwide, Inc.**,
Neenah, WI (US)

WO D096887-001 * 6/2017
WO 2019045730 A1 3/2019

(72) Inventors: **Jeremy T. Gauger**, Neenah, WI (US);
Bryan Eliot Rolfs, Chicago, IL (US);
Heidi Ellen Gehrke, Neenah, WI (US);
Amanda Ann Thelen, Neenah, WI
(US); **Maggie VanderHeiden Berger**,
Neenah, WI (US)

Primary Examiner — Keli L Hill

(74) *Attorney, Agent, or Firm* — Banner & Witcoff, Ltd.

(57) **CLAIM**

The ornamental design for a packaging box with lid, as shown and described.

(73) Assignee: **Kimberly-Clark Worldwide, Inc.**,
Neenah, WI (US)

DESCRIPTION

(**) Term: **15 Years**

(21) Appl. No.: **35/001,802**

(22) Filed: **Mar. 5, 2020**

(80) **Hague Agreement Data**

Int. Filing Date: **Mar. 5, 2020**

Int. Reg. No.: **DM/209159**

Int. Reg. Date: **Mar. 5, 2020**

Int. Reg. Pub. Date: **Jul. 24, 2020**

(51) **LOC (13) Cl.** **09-07**

(52) **U.S. Cl.**
USPC **D9/454**; D9/434; D9/432; D9/449

(58) **Field of Classification Search**
USPC D9/500, 516, 530, 537, 539, 549, 551,
D9/564, 571, 763-783

(Continued)

(56) **References Cited**

U.S. PATENT DOCUMENTS

D443,450 S * 6/2001 Ruhotas B65D 75/5894
D6/515

D525,464 S * 7/2006 Khurana D6/518
(Continued)

1.-4. Packaging box with lid

1.1 : Perspective

1.2 : Front

1.3 : Back

1.4 : Left

1.5 : Right

1.6 : Top

2.1 : Perspective

2.2 : Front

2.3 : Back

2.4 : Right

2.5 : Left

2.6 : Top

3.1 : Perspective

3.2 : Front

3.3 : Back

3.4 : Left

3.5 : Right

3.6 : Top

4.1 : Perspective

4.2 : Front

4.3 : Back

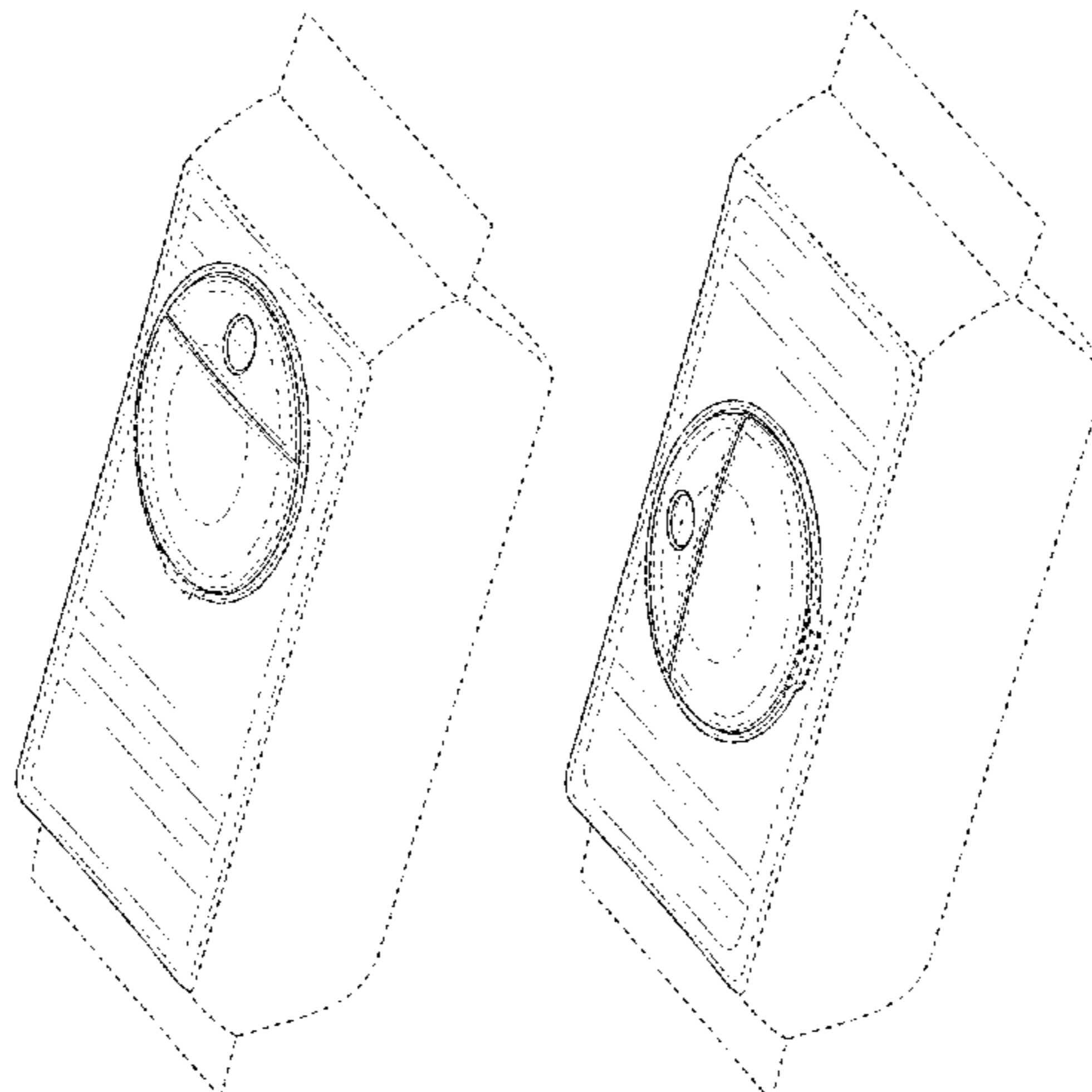
4.4 : Left

4.5 : Right

4.6 : Top

The claimed subject matter is shaded to indicate relief or contours; the broken lines that are adjacent to the claimed subject matter indicate the bounds of the claimed subject matter and form no part of the claimed subject matter; the

(Continued)



remaining broken lines indicate unclaimed subject matter;
the bottom view is omitted because it includes no ornamentation.

1 Claim, 24 Drawing Sheets

(58) **Field of Classification Search**

CPC A47K 10/42; A47K 2010/3266; B65D
43/16; B65D 43/26; B65D 43/169; B65D
47/08; B65D 47/088; B65D 75/58; B65D
75/5894; B65D 83/08; B65D 83/0805;
Y10T 29/49826

See application file for complete search history.

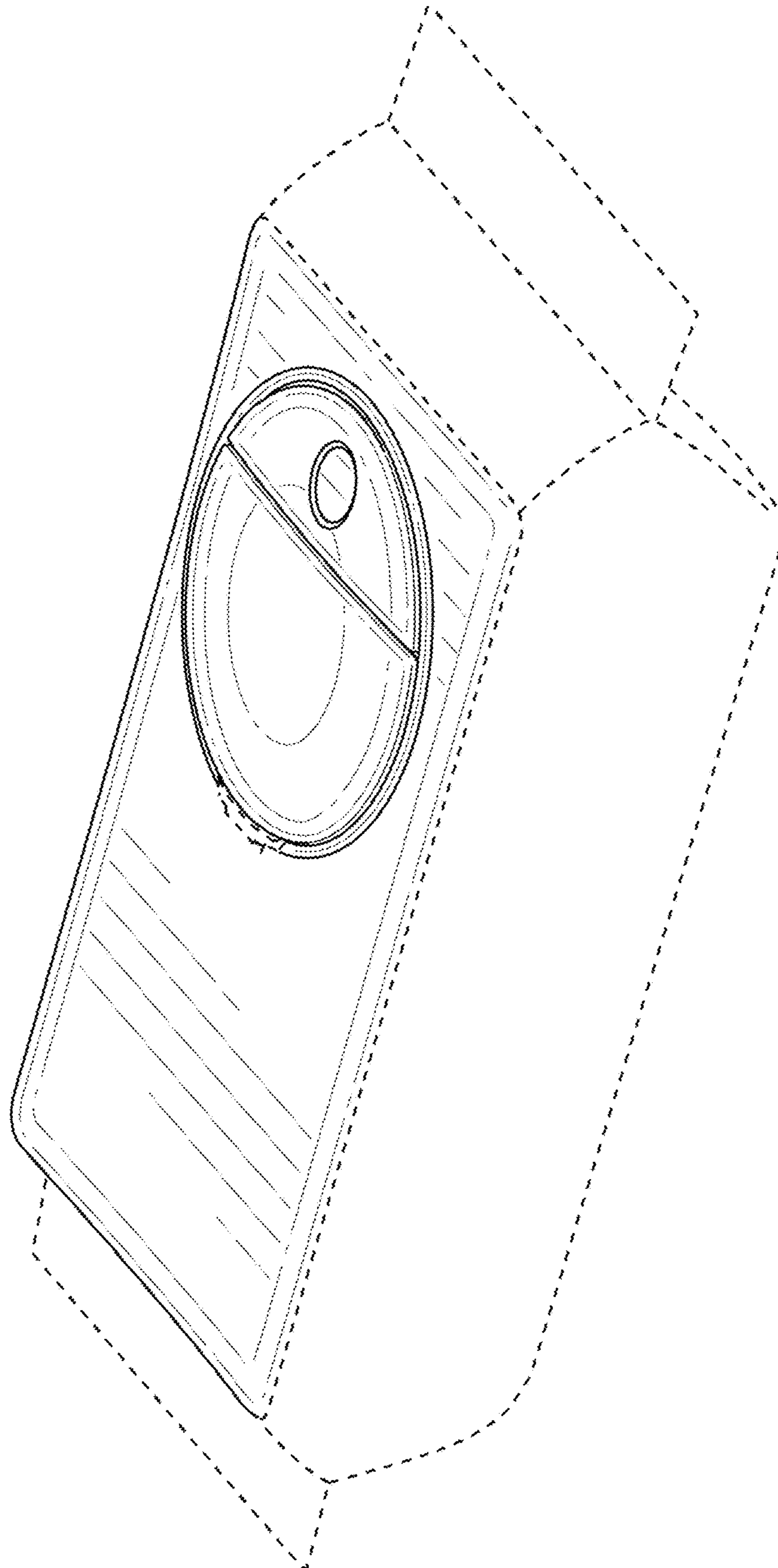
(56) **References Cited**

U.S. PATENT DOCUMENTS

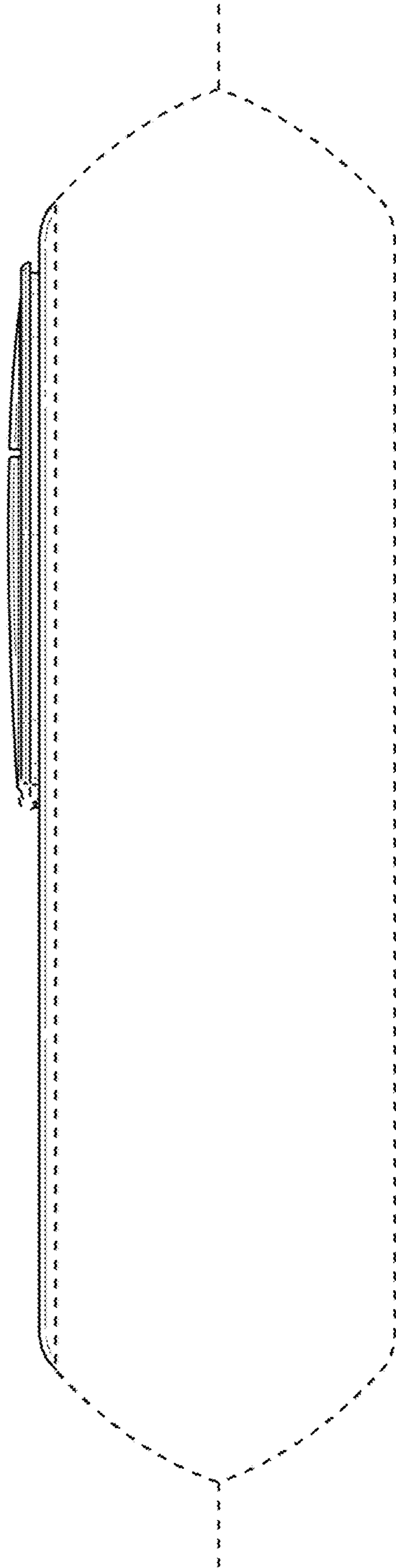
D526,562	S *	8/2006	Jelich	D9/435
D663,980	S *	7/2012	Bendana	D6/518
D712,261	S *	9/2014	Humm	D9/449
D712,751	S	9/2014	Bechyne et al.	
D719,847	S	12/2014	Li et al.	
9,399,540	B2	7/2016	Bushman et al.	
D784,811	S *	4/2017	Scevola	D9/454
D794,456	S *	8/2017	Rockwell	D9/449
D804,218	S *	12/2017	Worden, IV	D6/518
10,349,790	B2	7/2019	Fulscher et al.	
D912,513	S *	3/2021	Moon	D9/449
D912,514	S *	3/2021	Moon	B65D 75/5877
				D9/449
2016/0113450	A1 *	4/2016	Yamada	B65D 75/5877
				221/1
2020/0260922	A1 *	8/2020	Rolfs	B65D 75/5894

* cited by examiner

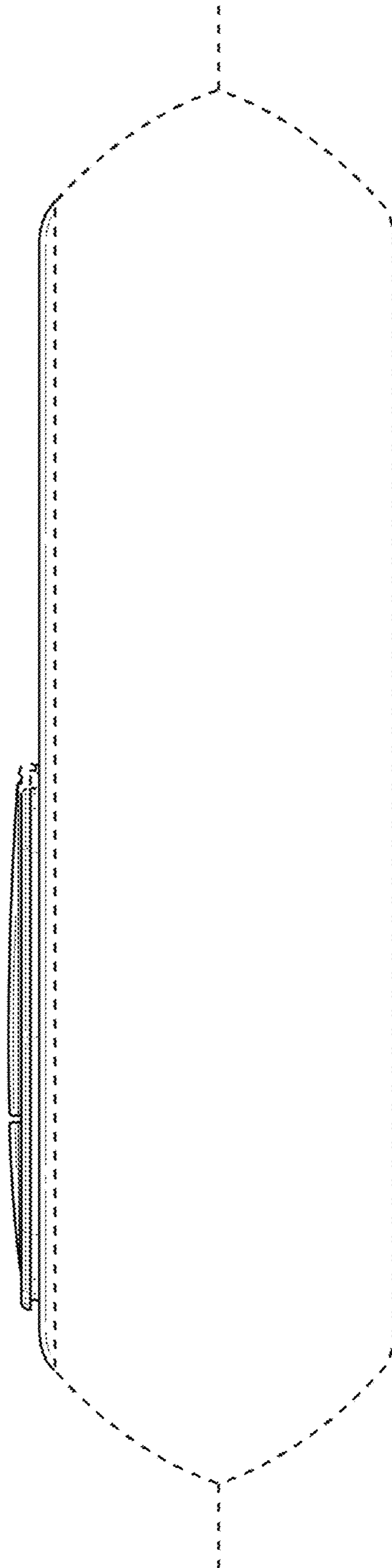
1.1



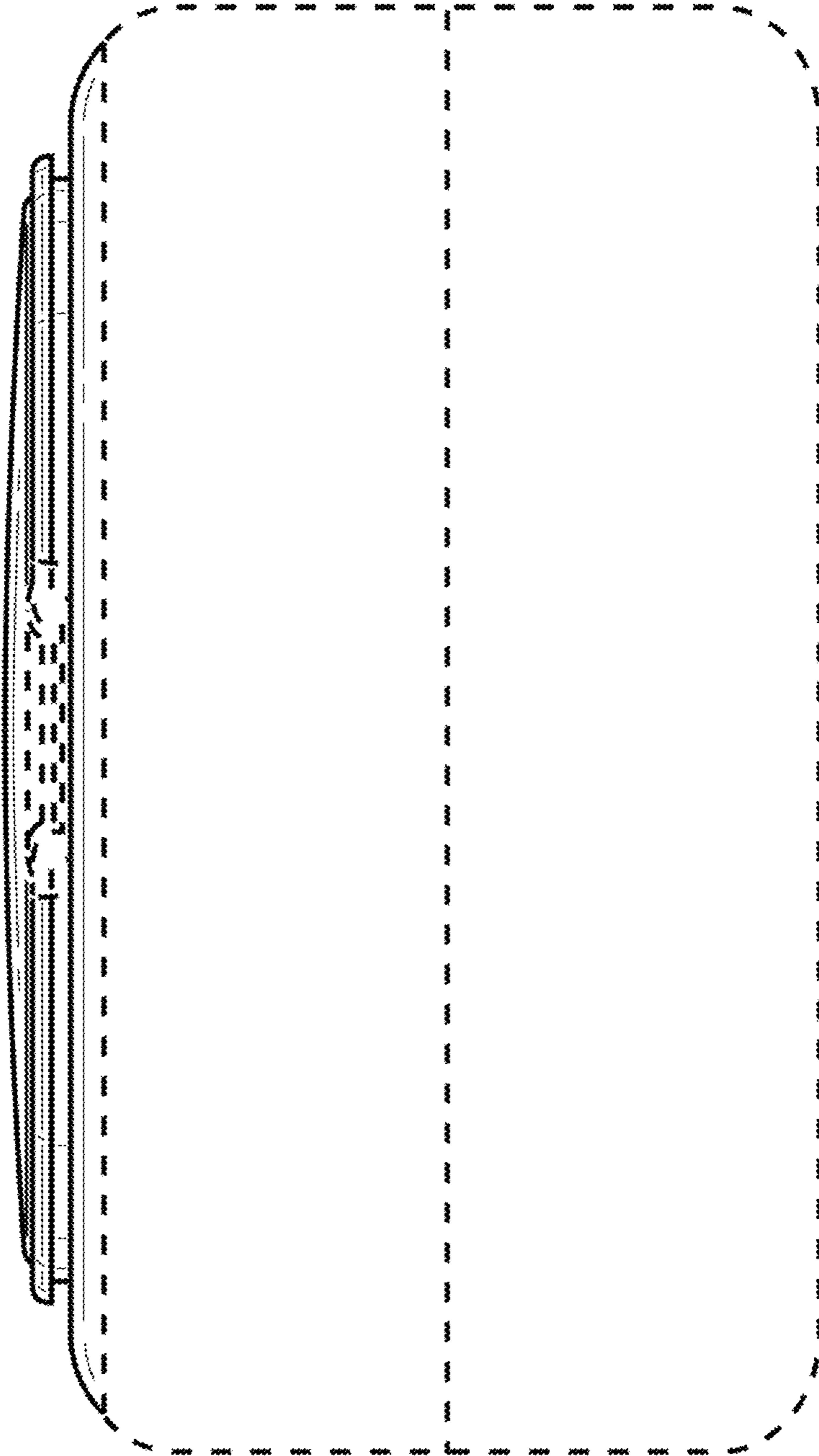
1.2



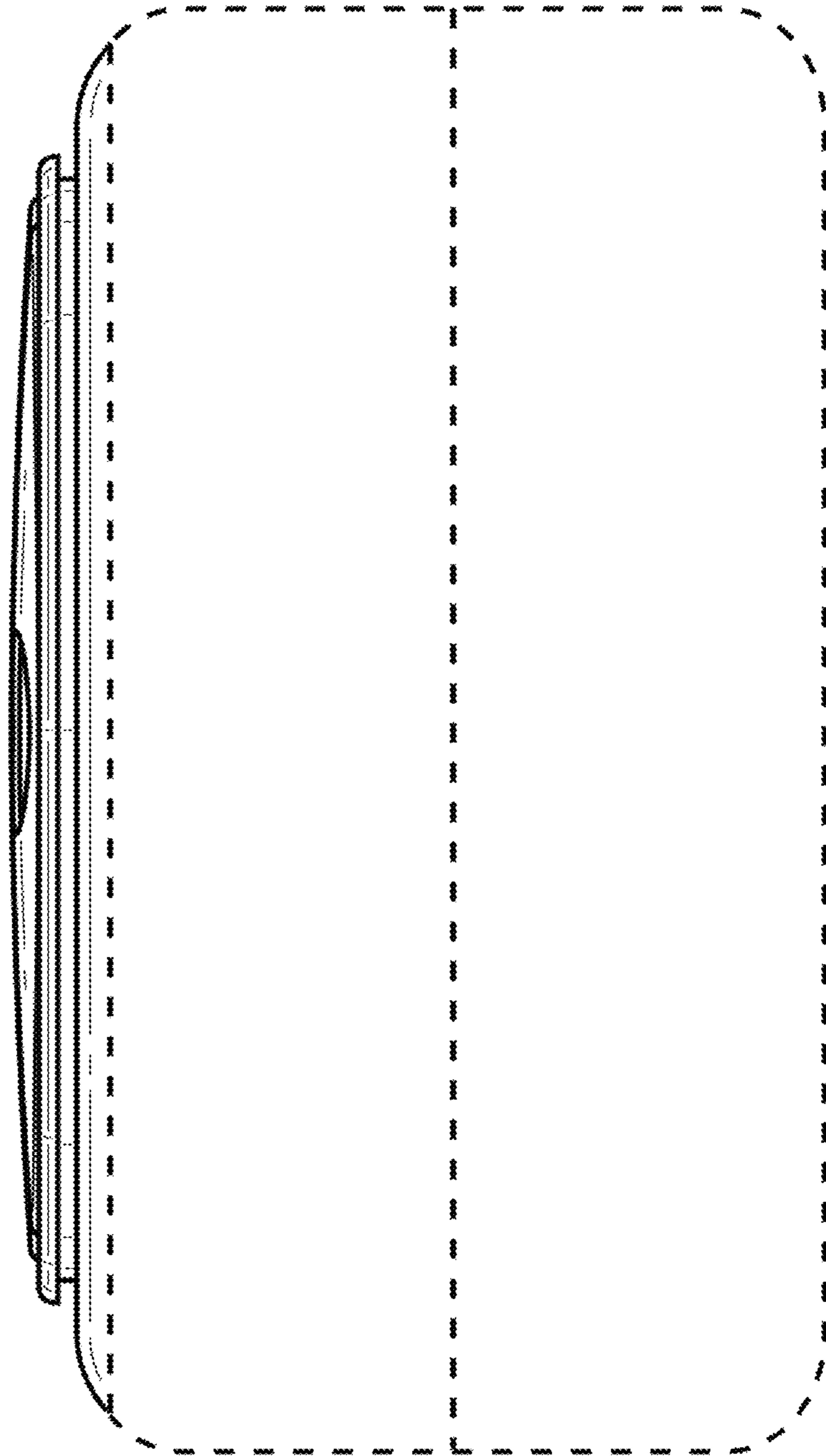
1.3



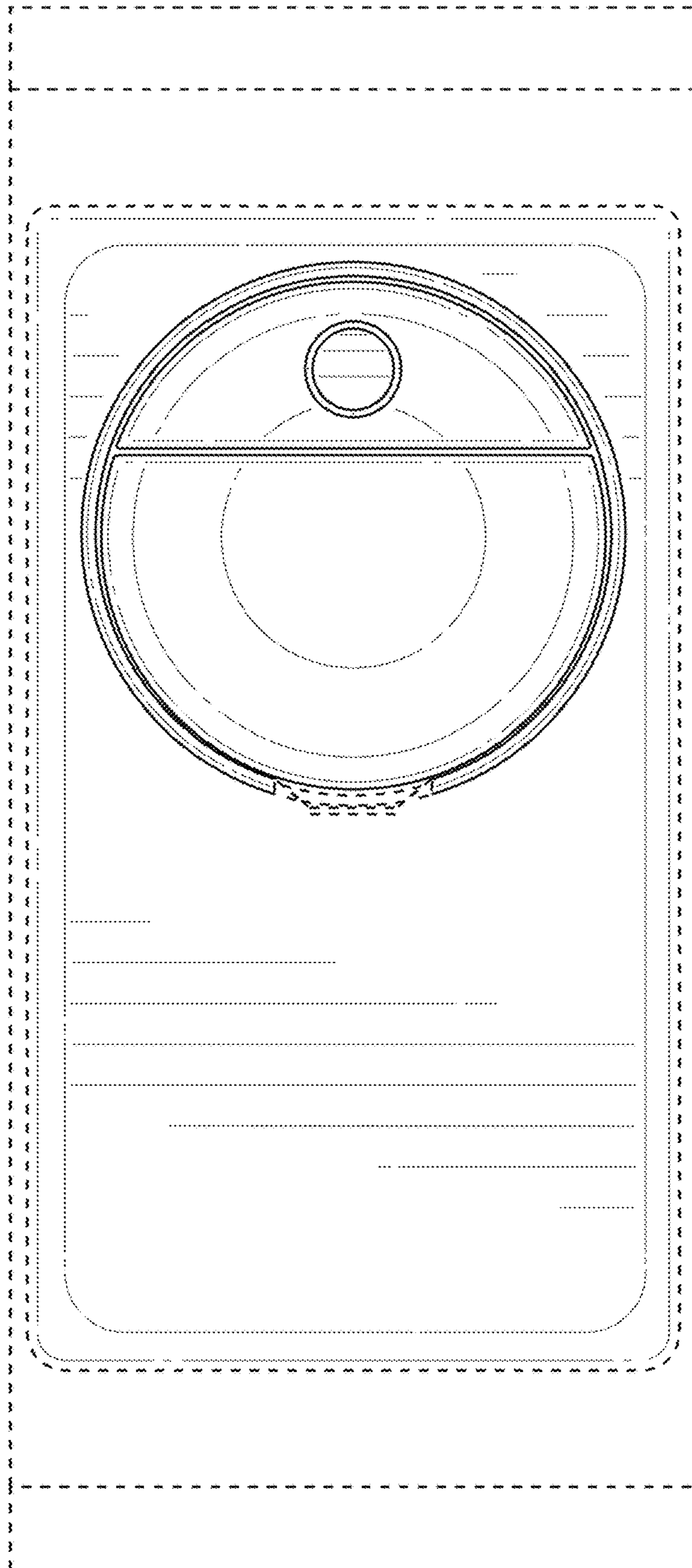
1.4



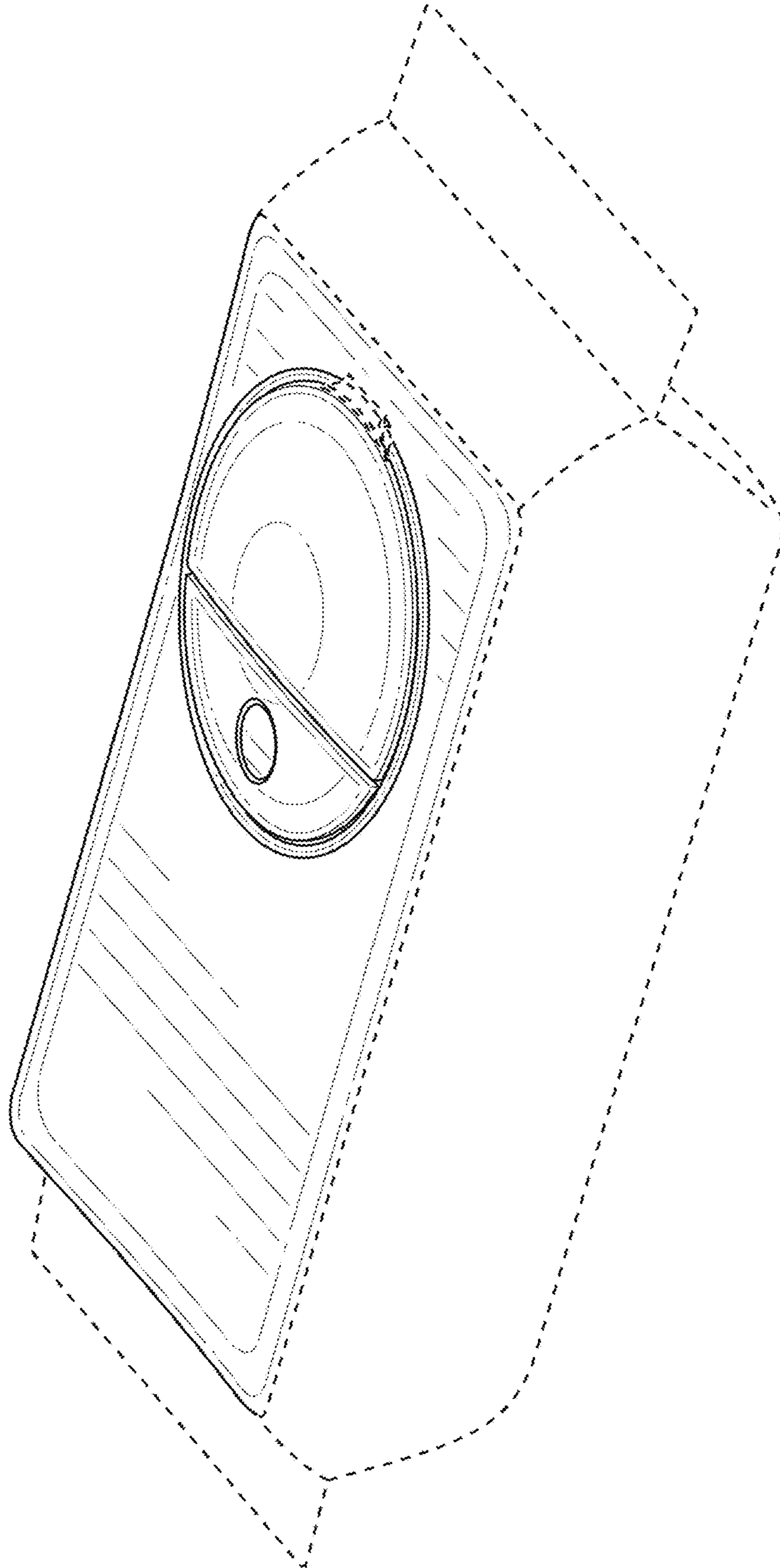
1.5



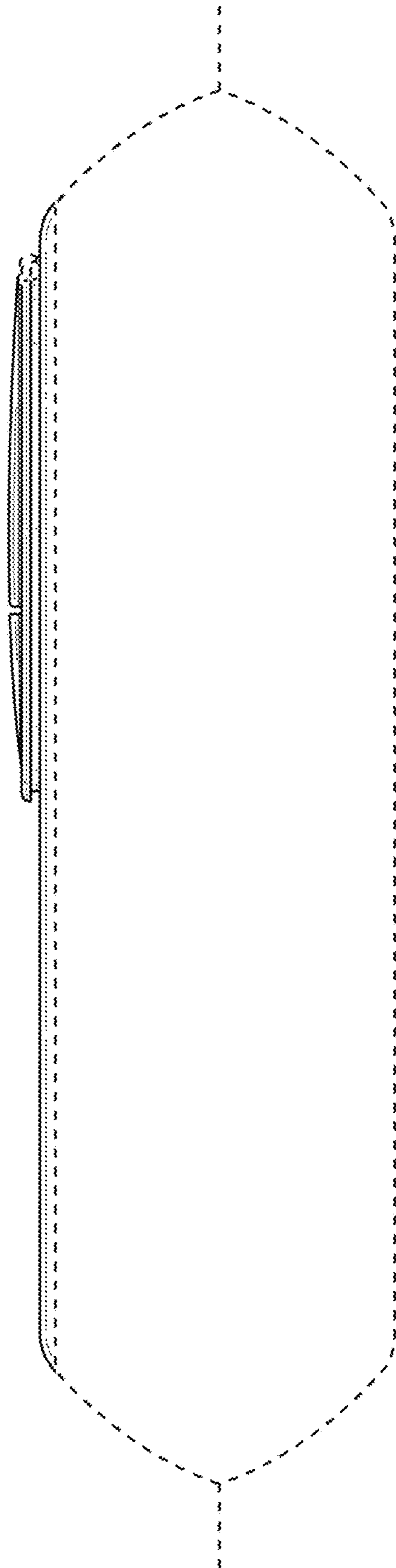
1.6



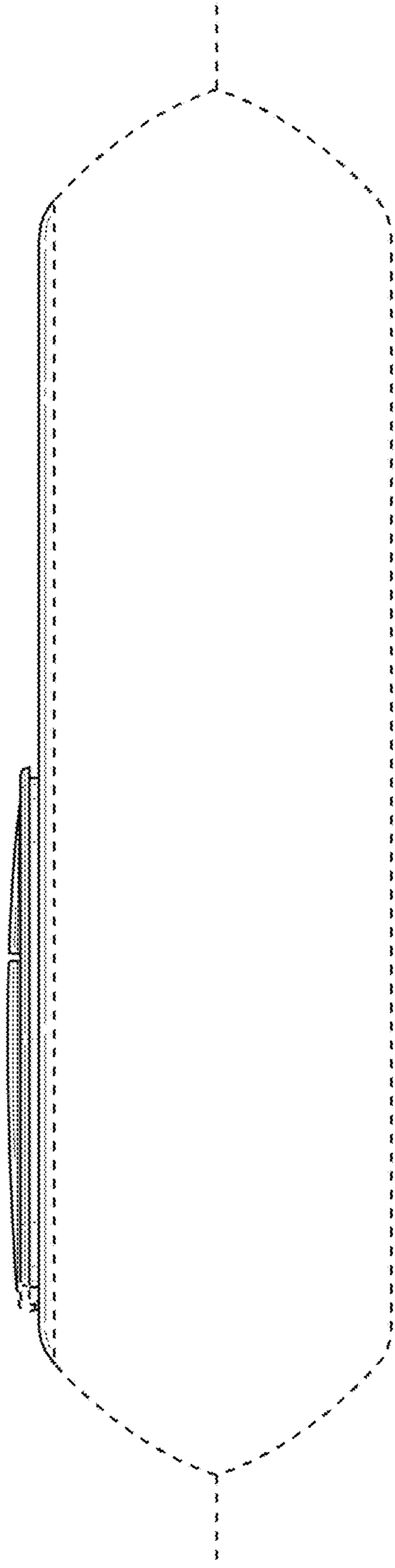
2.1



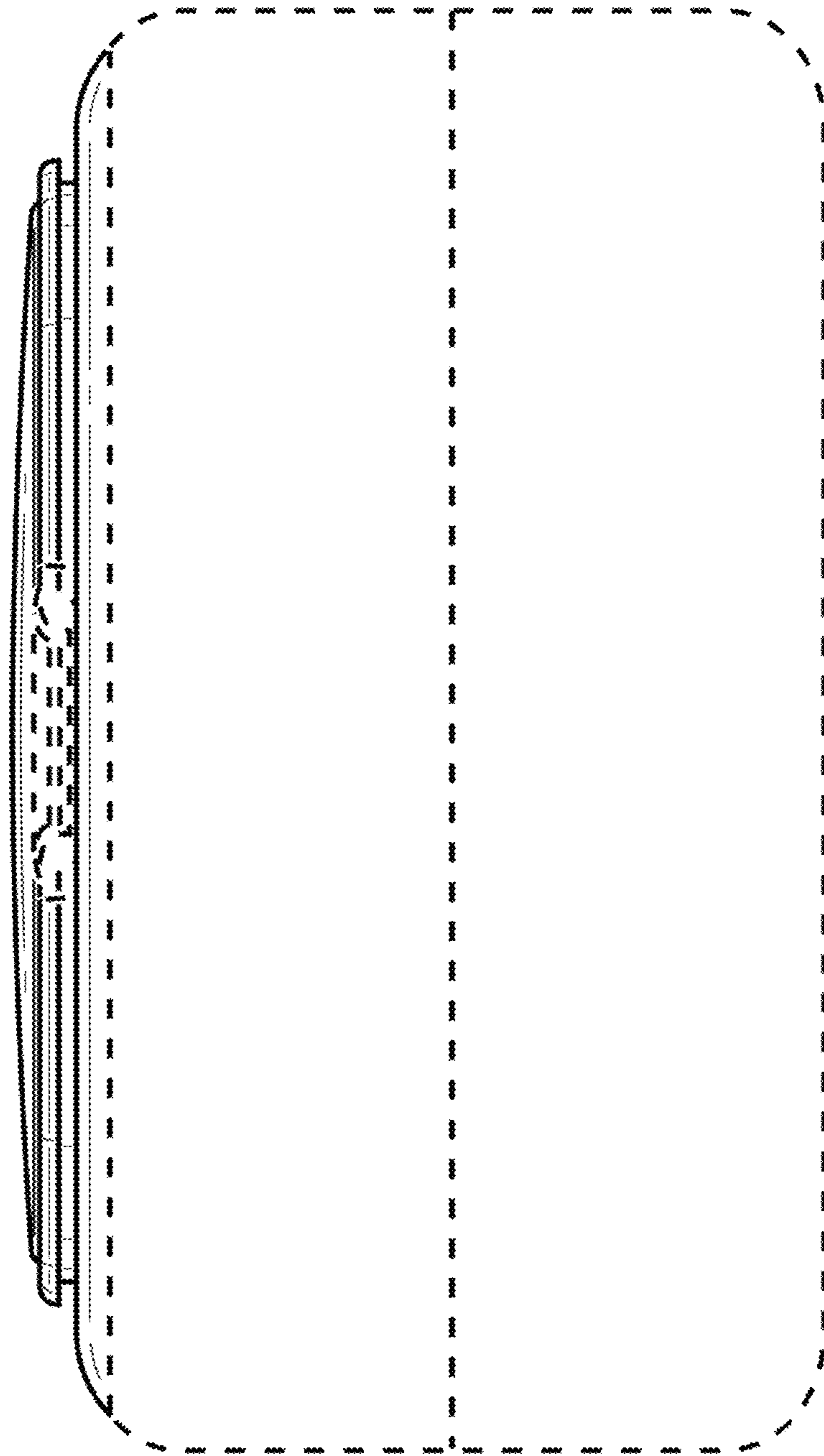
2.2



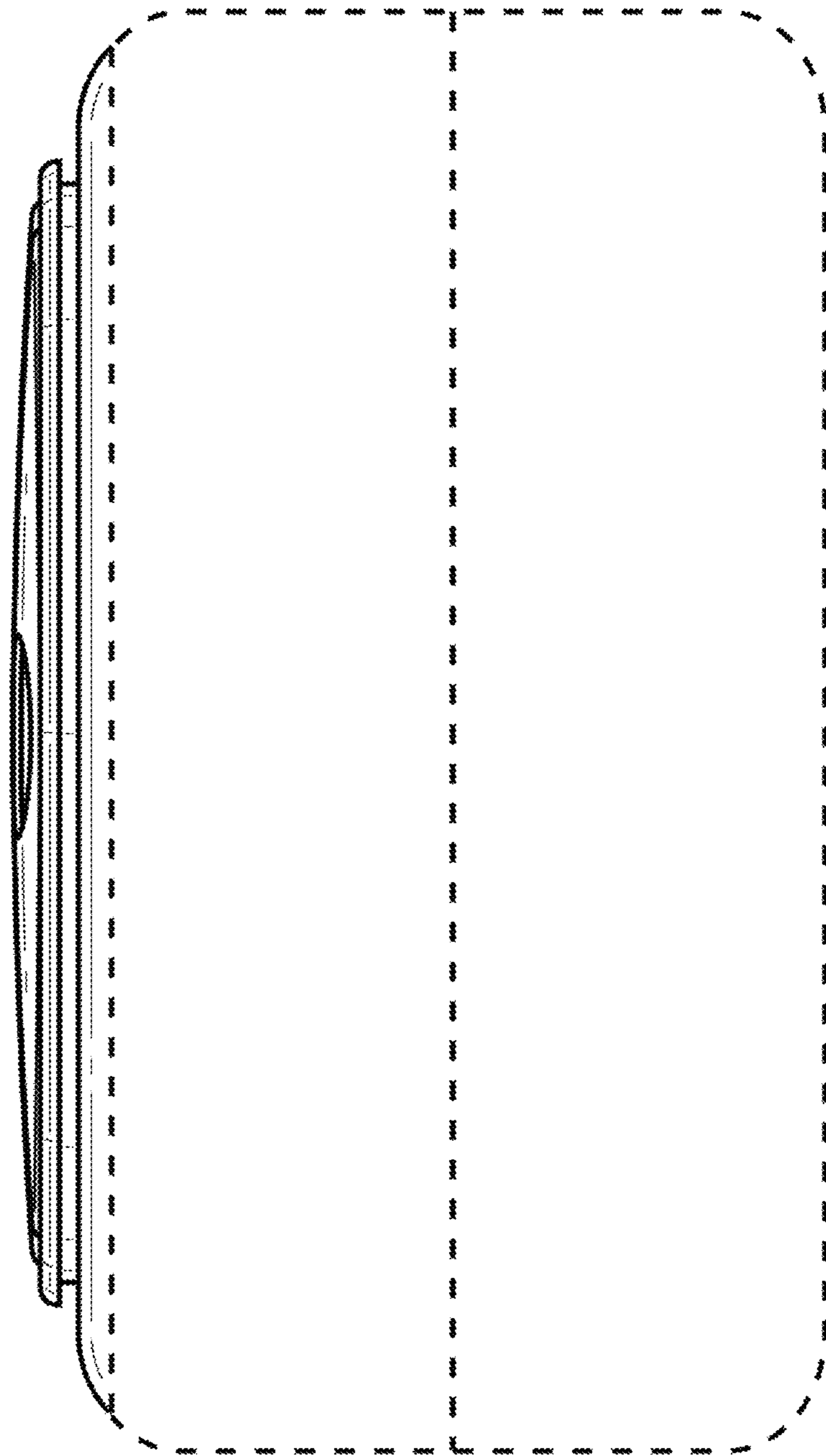
2.3



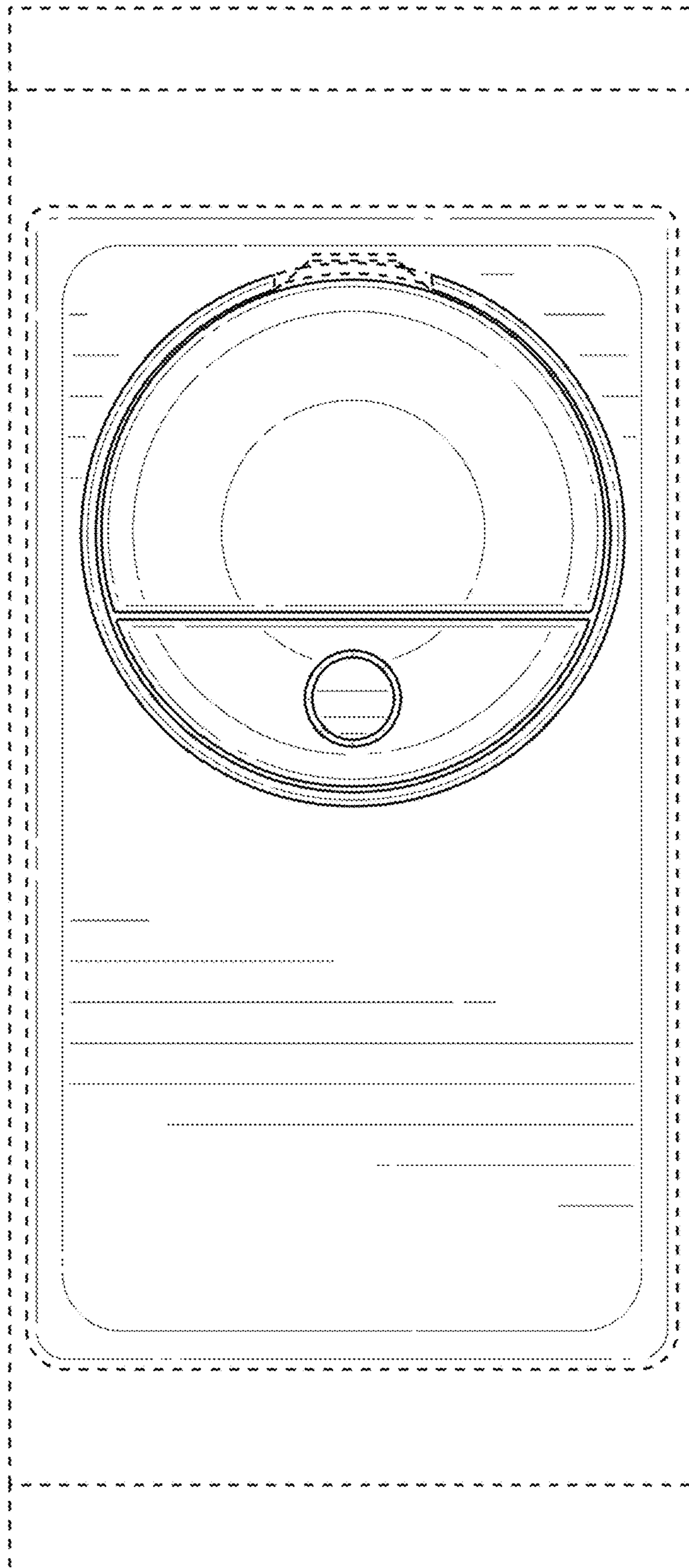
2.4



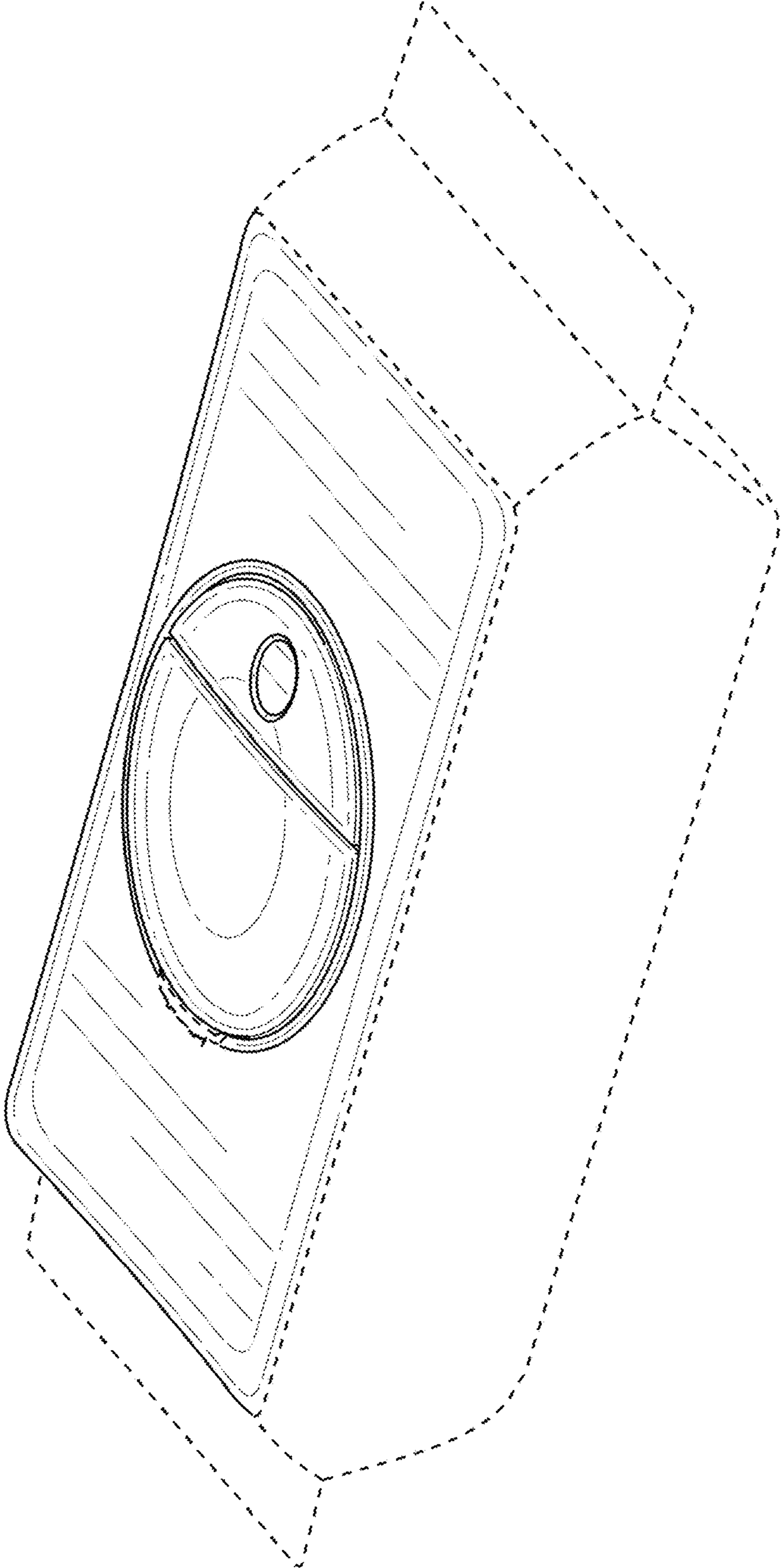
2.5



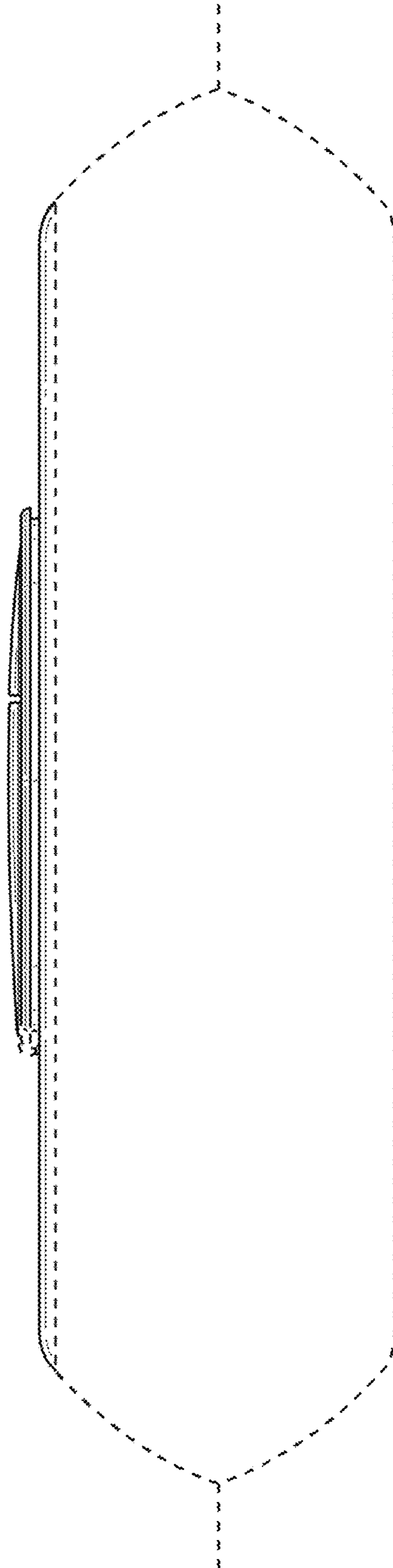
2.6



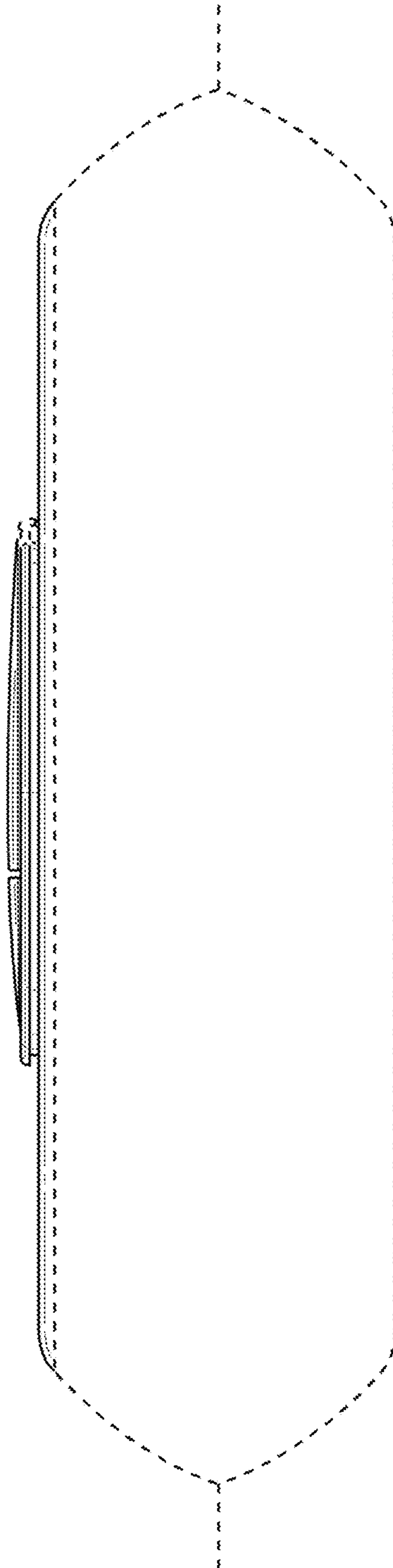
3.1



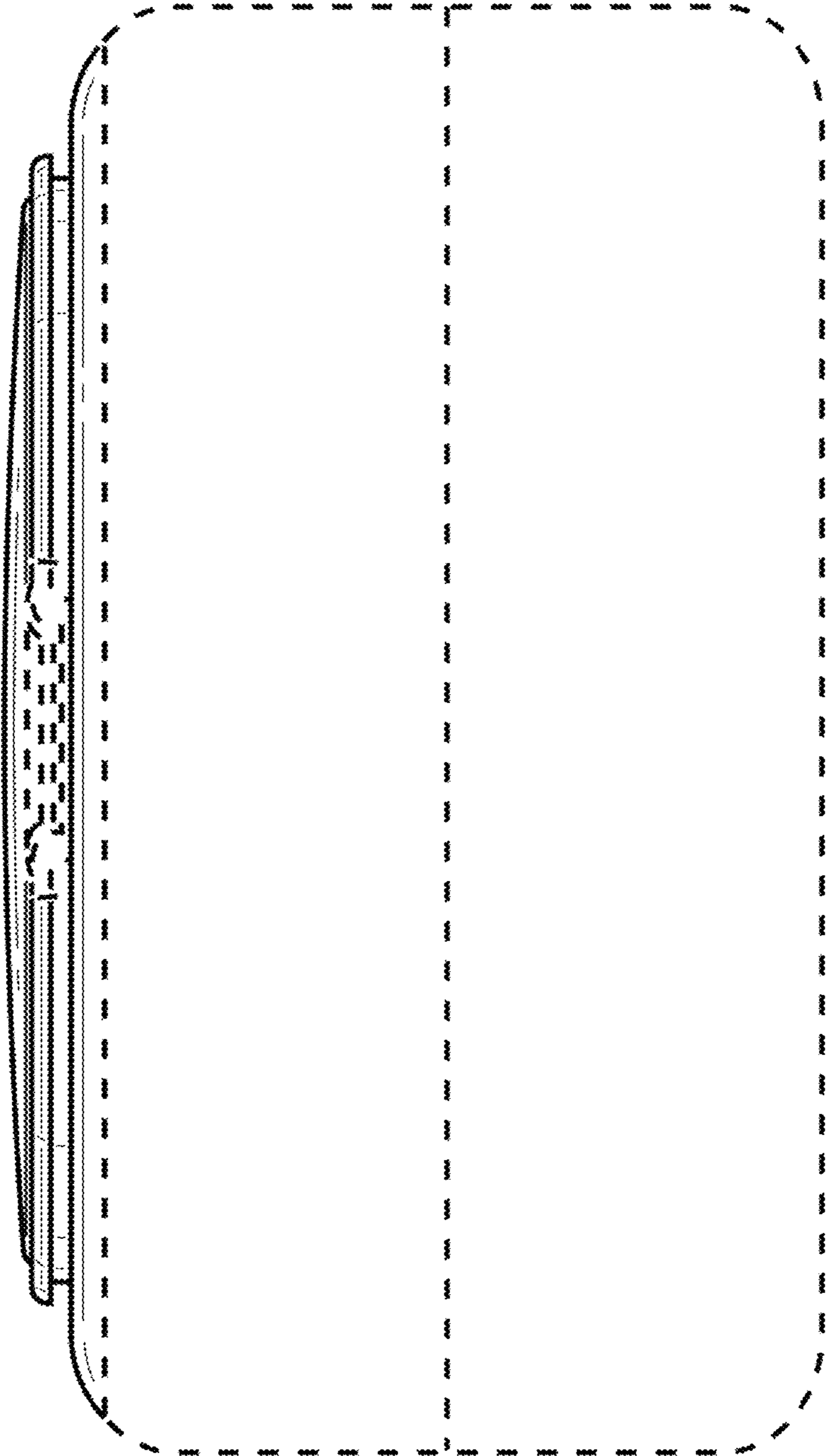
3.2



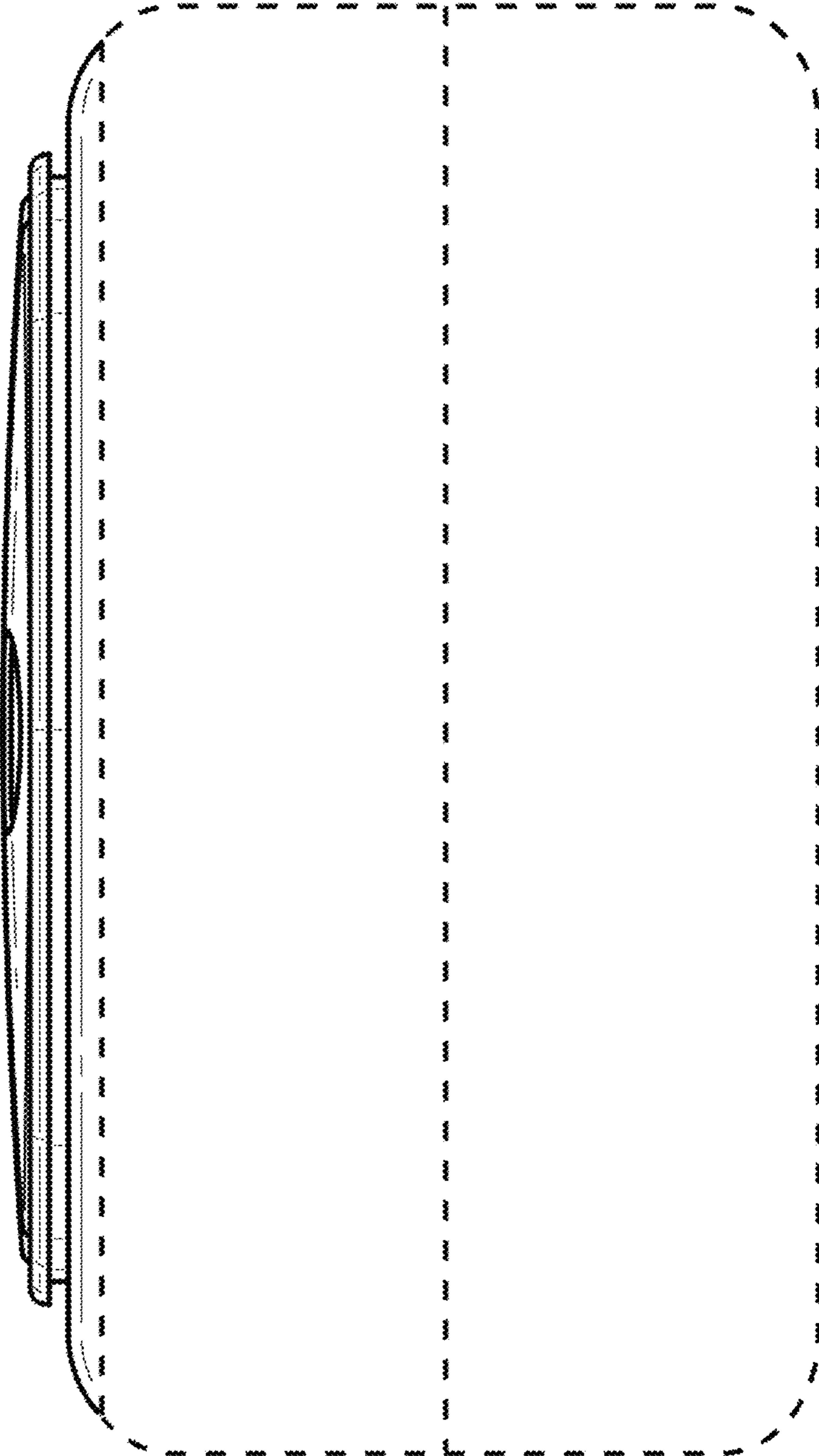
3.3



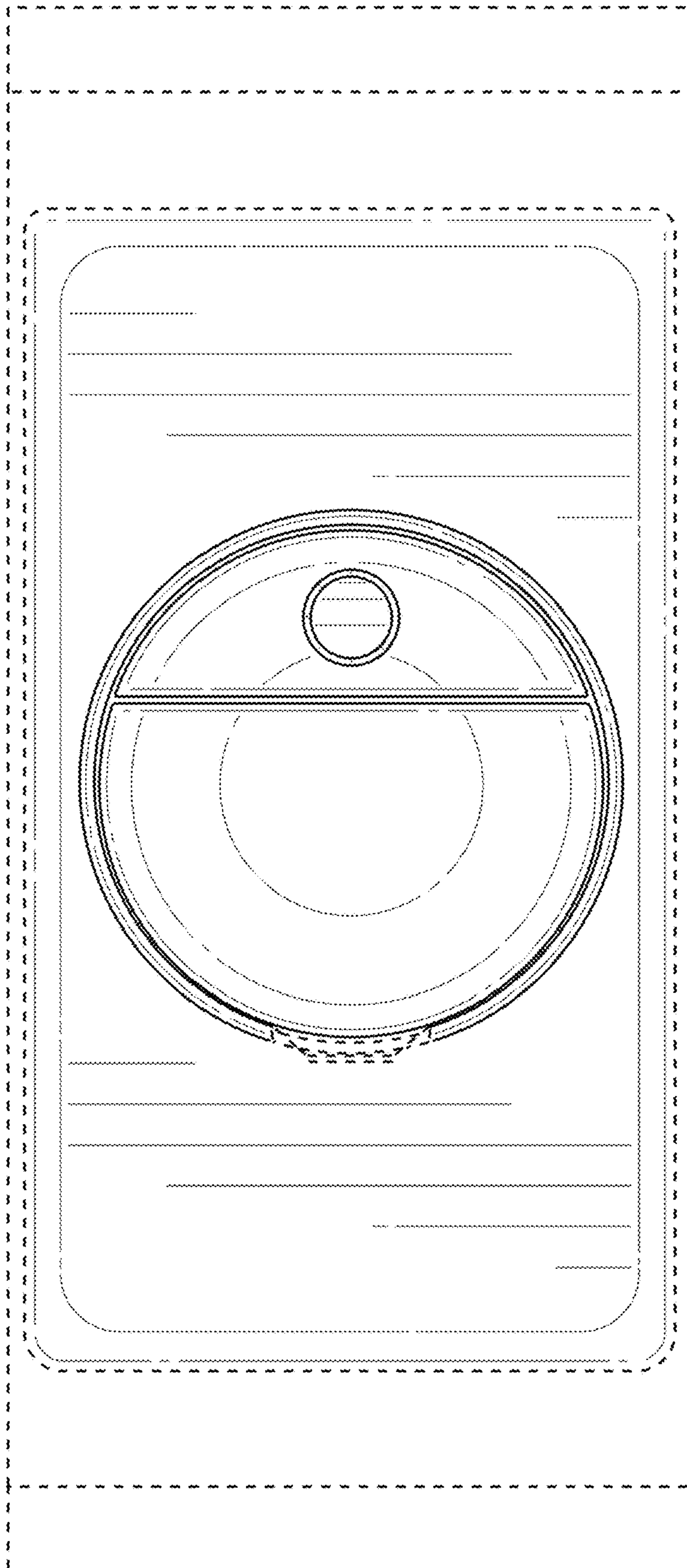
3.4



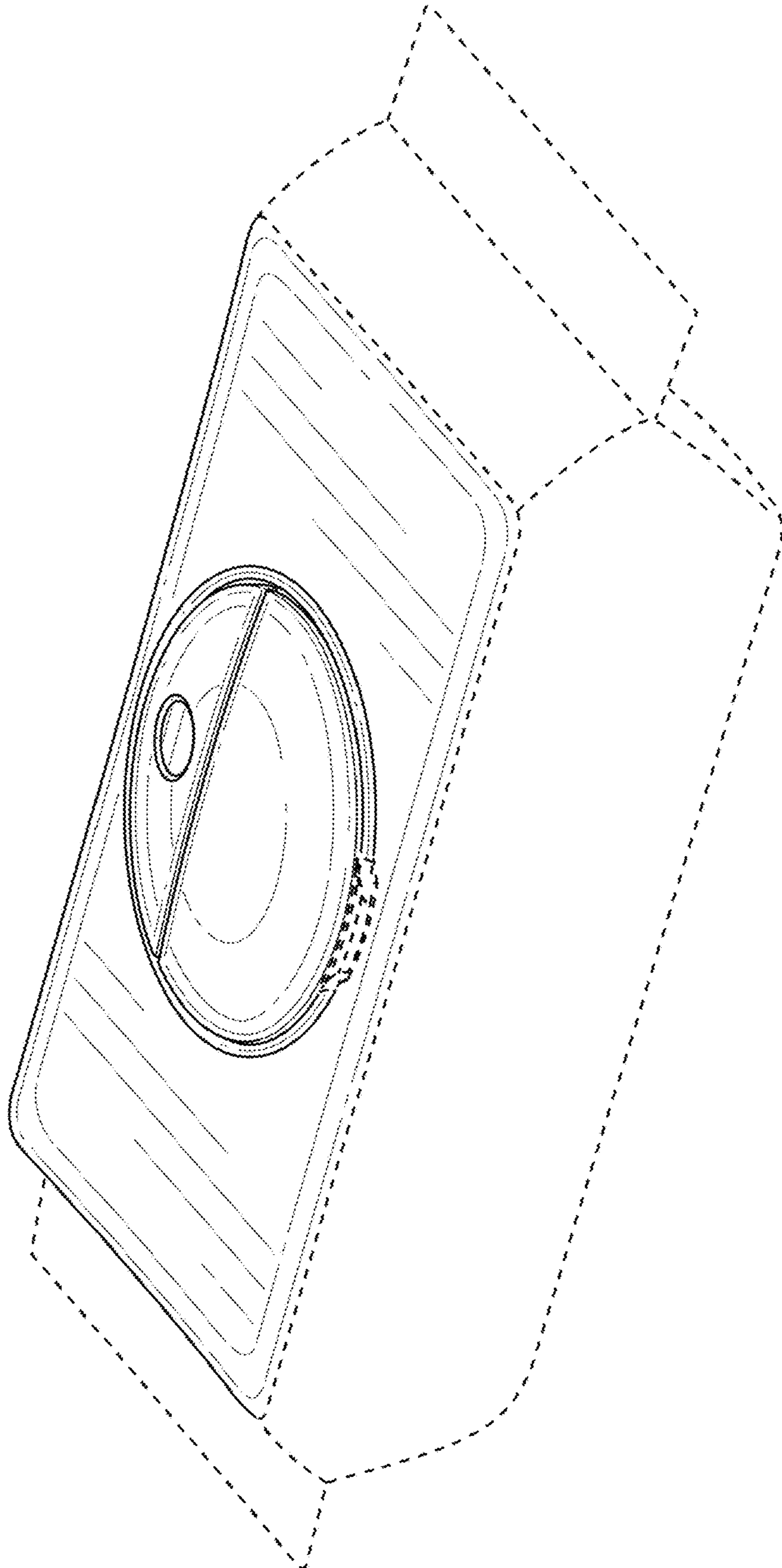
3.5



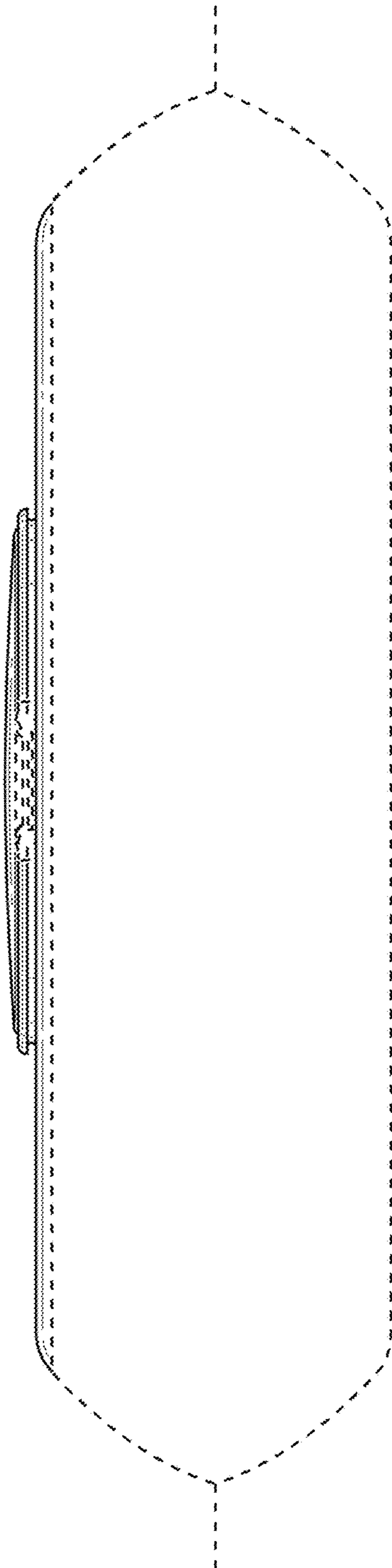
3.6



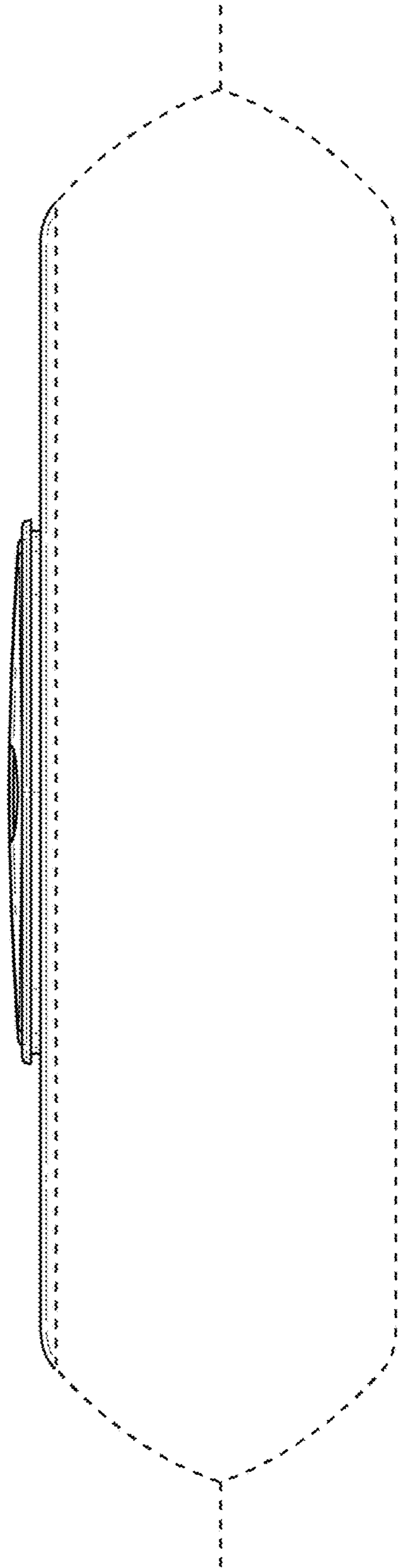
4.1



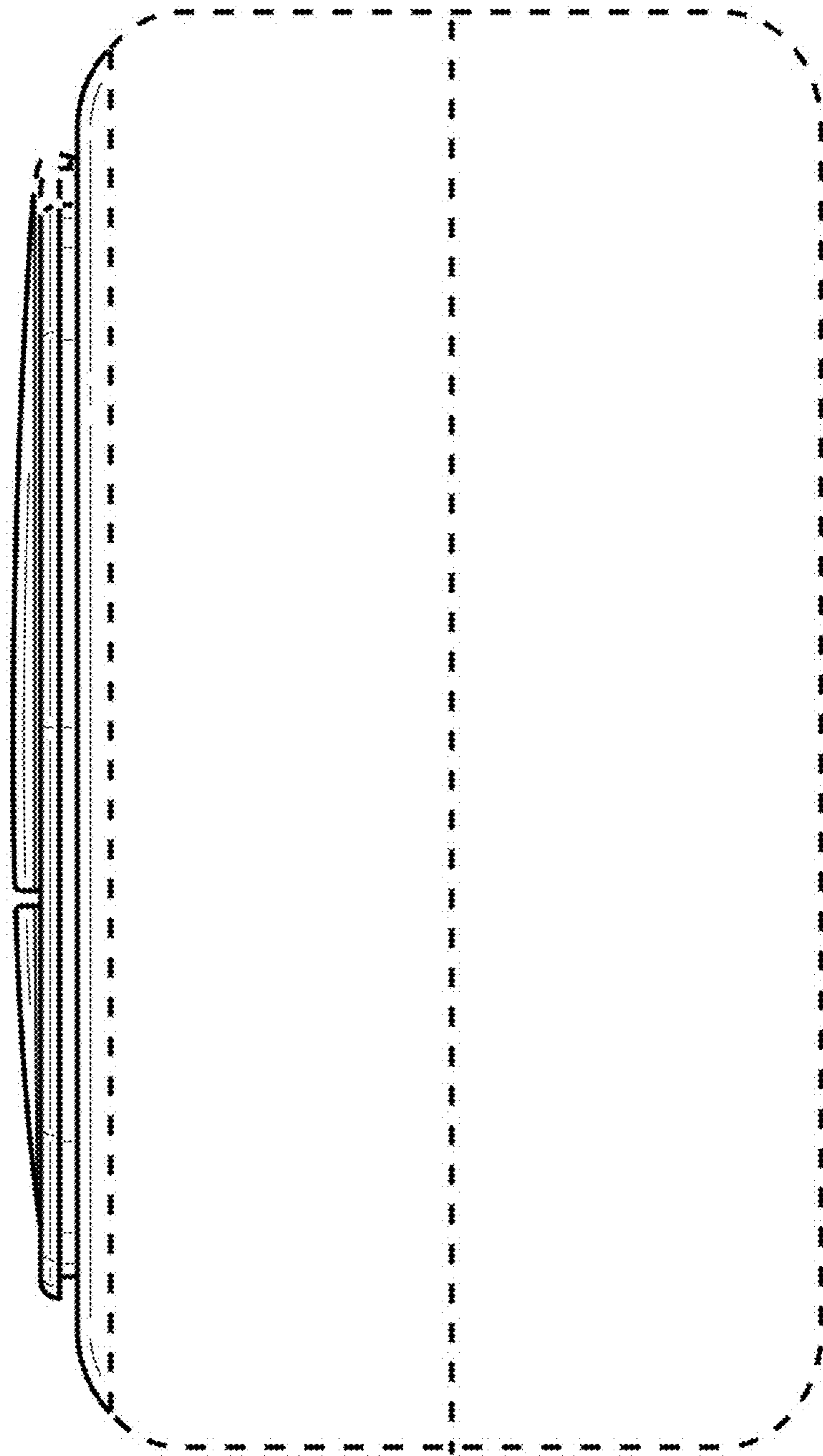
4.2



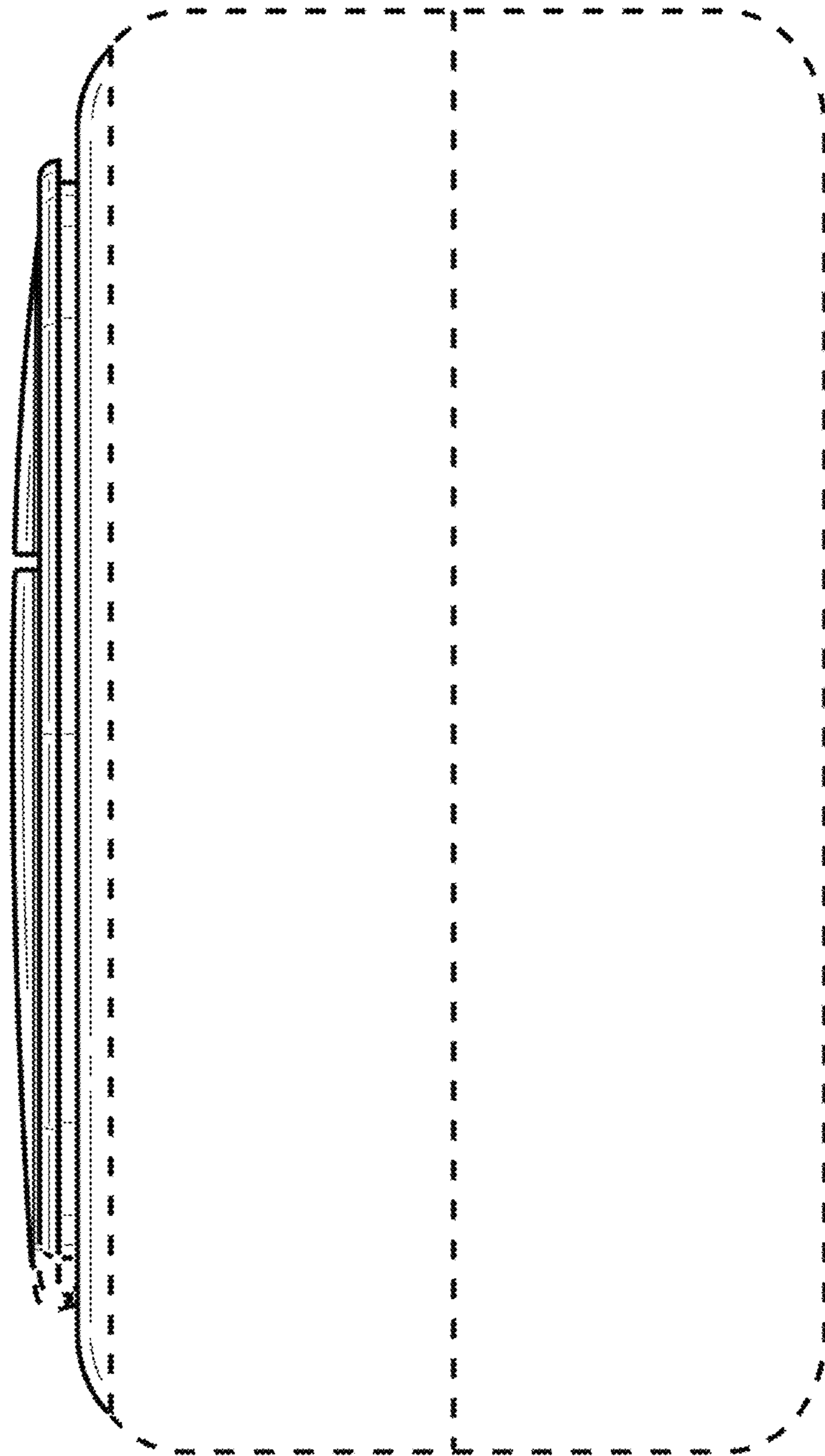
4.3



4.4



4.5



4.6

