



US00D937086S

(12) **United States Design Patent**
Metaxatos et al.

(10) **Patent No.:** **US D937,086 S**

(45) **Date of Patent:** **** Nov. 30, 2021**

(54) **BOTTLE STOPPER**

FOREIGN PATENT DOCUMENTS

(71) Applicant: **Coravin, Inc.**, Bedford, MA (US)

CN 303584167 * 2/2016
CN 303986047 * 12/2016

(72) Inventors: **Paul K. Metaxatos**, Swampscott, MA (US); **Steffen F. Koury**, Nahant, MA (US); **Benjamin Hines**, Cranston, RI (US); **Brendan B. Crawford**, Boston, MA (US); **Otto DeRuntz**, Dunstable, MA (US); **Michael Rider**, Lowell, MA (US)

(Continued)

OTHER PUBLICATIONS

(73) Assignee: **Coravin, Inc.**, Bedford, MA (US)

Roman, Dec. 13, 2018, Circle Joy Wine Bottle Stopper—Silver Review, URL: https://www.gearbest.com/barware/pp_009368268621.html#anchorGoodsReviews (Year: 2018).*

(Continued)

(**) Term: **15 Years**

Primary Examiner — Brett Miller

(21) Appl. No.: **29/741,243**

Assistant Examiner — Rani J Abdallah

(22) Filed: **Jul. 10, 2020**

(74) *Attorney, Agent, or Firm* — Wolf, Greenfield & Sacks, P.C.

(51) **LOC (13) Cl.** **09-01**

(52) **U.S. Cl.**
USPC **D9/454**; D9/439

(57) **CLAIM**

(58) **Field of Classification Search**
USPC D9/439, 440, 442–449, 682, 685, 686, D9/435, 450, 454; D6/515; D7/507, D7/509–511, 523, 391, 392, 392.1, 396.2, D7/605, 608, 900
CPC B65D 83/205; B65D 83/206; B65D 83/40; B65D 2543/00046; A47G 19/2272
See application file for complete search history.

The ornamental design for a bottle stopper, as shown and described.

DESCRIPTION

(56) **References Cited**

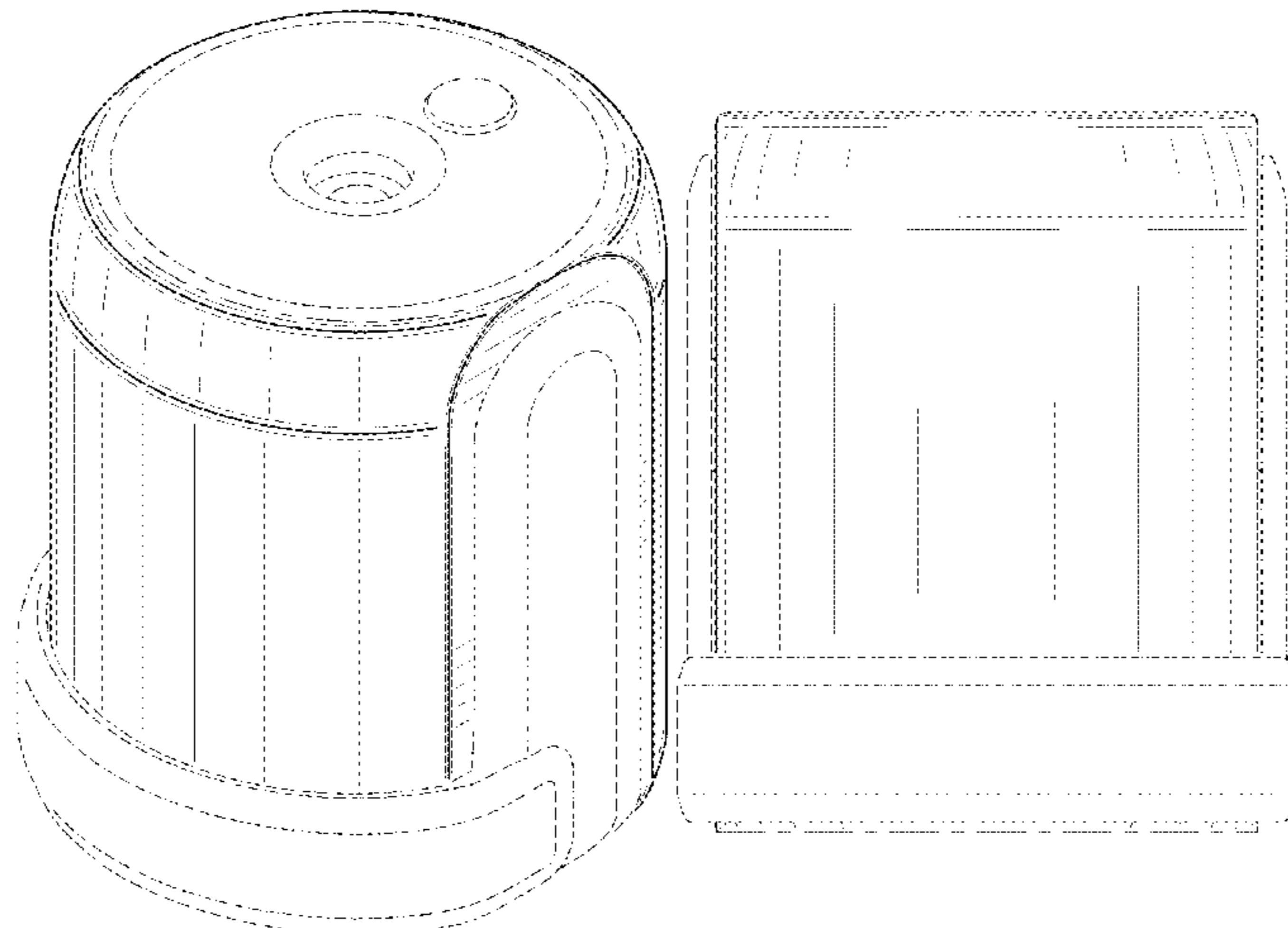
U.S. PATENT DOCUMENTS

D536,974 S * 2/2007 Smith D9/435
D537,714 S * 3/2007 Yerby D9/445
D591,603 S * 5/2009 Robin-Prevallee D9/454
D619,472 S * 7/2010 Papiernik A47J 41/022
D9/454
D655,167 S * 3/2012 Weber-Trinkfass
B65D 81/3869
D9/454
D730,191 S * 5/2015 Hardy A47J 41/0027
D9/454
D819,402 S * 6/2018 Silsby D7/510

FIG. 1 is a top, front, right side perspective view of a bottle stopper showing our new design;
FIG. 2 is a left side elevation view thereof;
FIG. 3 is a front elevation view thereof;
FIG. 4 is a right side view thereof;
FIG. 5 is a rear elevation view thereof;
FIG. 6 is a top plan view thereof; and,
FIG. 7 is a bottom plan view thereof.
The dash-dash broken lines represent portions of the bottle stopper that form no part of the claimed design. The short dash-long dash broken lines define boundaries of the claimed design and form no part of the claimed design.

(Continued)

1 Claim, 4 Drawing Sheets



(56)

References Cited

U.S. PATENT DOCUMENTS

D820,039 S * 6/2018 Fitzsimons D7/392.1
 D836,389 S * 12/2018 Abante D7/392.1
 D841,469 S * 2/2019 Christianson D9/454
 D860,716 S * 9/2019 Abante D7/392.1
 D871,133 S * 12/2019 Bullock D7/392.1
 D894,738 S * 9/2020 Hexemer D9/456
 D897,849 S * 10/2020 Hawry D9/454
 10,959,553 B2 * 3/2021 Nichols A47J 41/0027
 11,021,314 B2 * 6/2021 Tolman B65D 81/3869
 11,034,505 B2 * 6/2021 Bullock A47J 41/022
 D927,304 S * 8/2021 Lingle D9/454

FOREIGN PATENT DOCUMENTS

CN 304907654 * 11/2018
 CN 305425956 * 11/2019
 CN 305484107 * 12/2019
 CN 305484108 * 12/2019

OTHER PUBLICATIONS

Emily Belly, Aug. 5, 2016, vinepair.com—Are These 5 Champagne Bottle Stoppers Worth All The Fizz?, URL:<https://vinepair.com/articles/are-these-5-champagne-bottle-stoppers-worth-all-the-fizz/> (Year: 2016).*

C. Phelps ,Oct. 10, 2017,PulltexAntiOx Winestopper Amazon.com Review Post, URL:<https://www.amazon.com/Antiox-Carbon-Filter-Wine-Stopper/dp/B00B6CSAZS?th=1> (Year: 2017).*

U.S. Appl. No. 29/741,245, filed Jul. 10, 2020, Metaxatos et al.

* cited by examiner

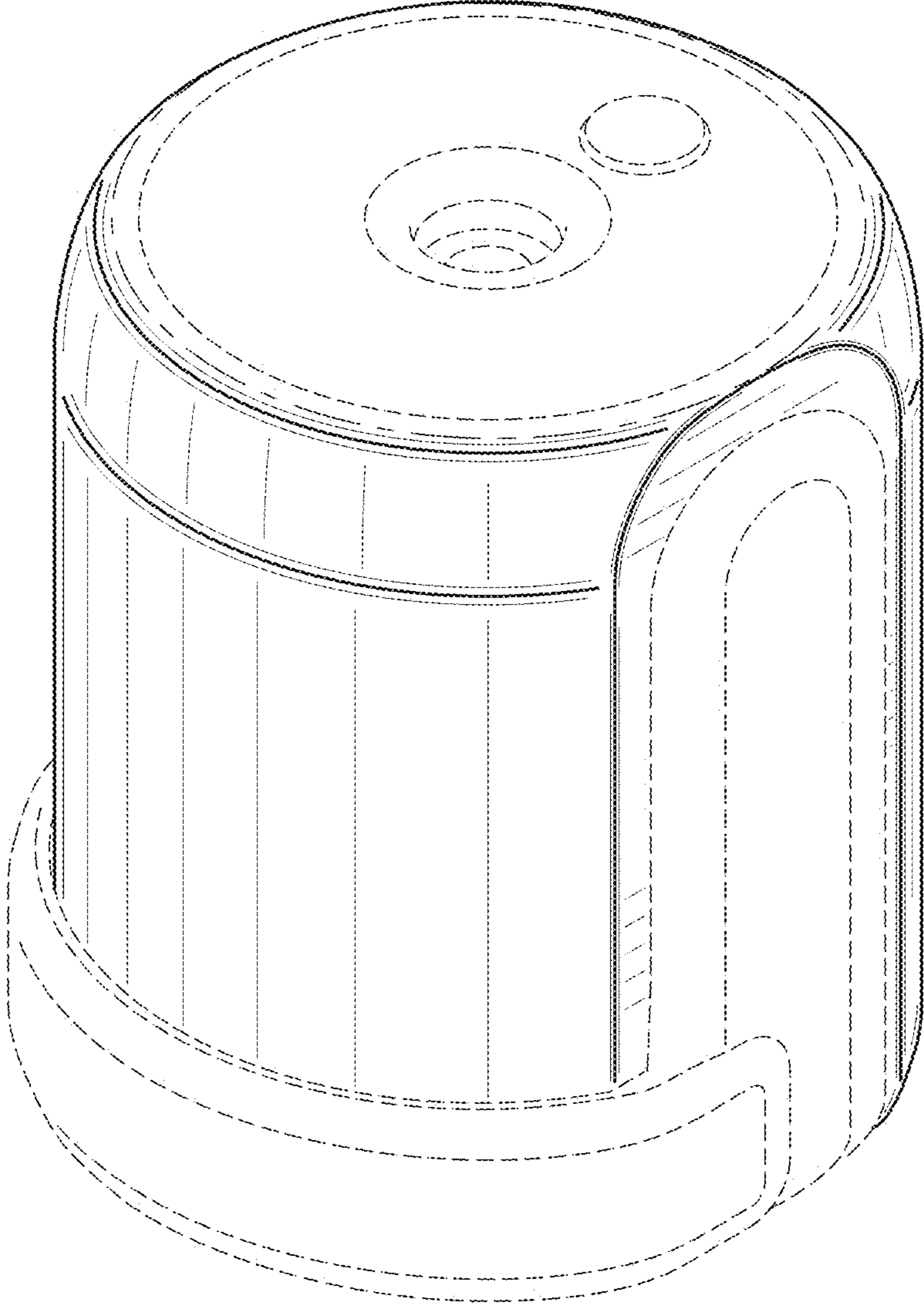


FIG. 1

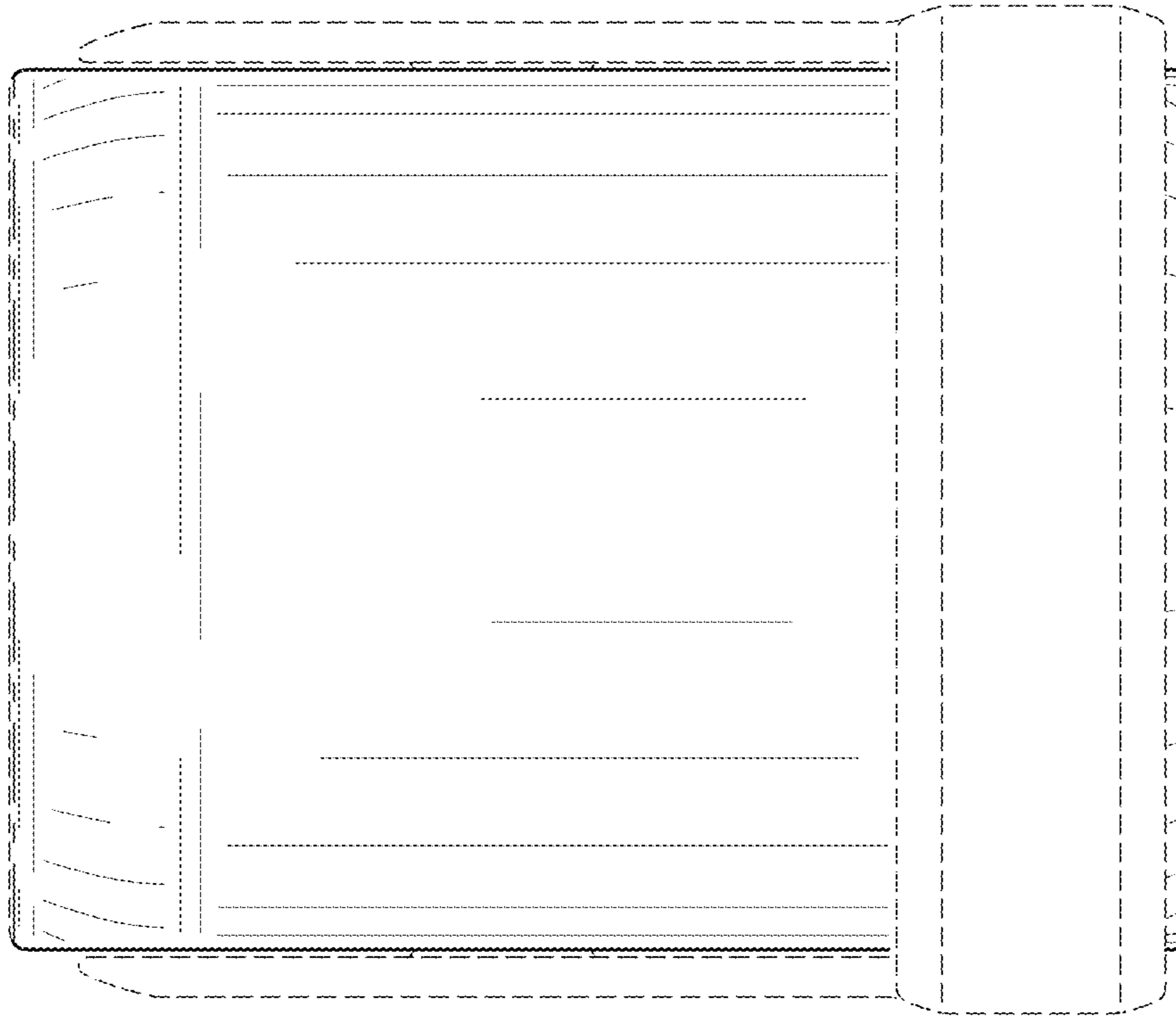


FIG. 3

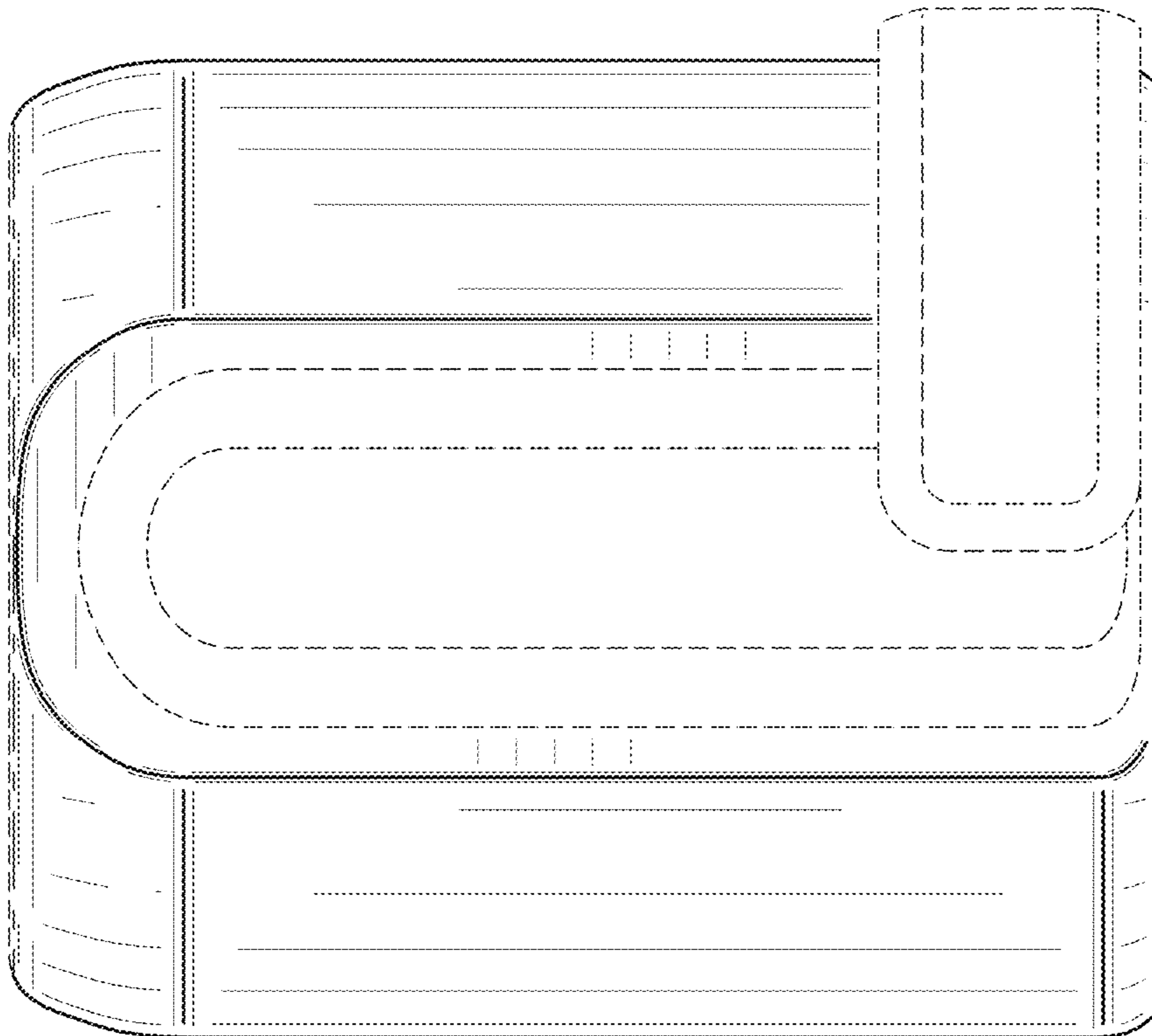


FIG. 2

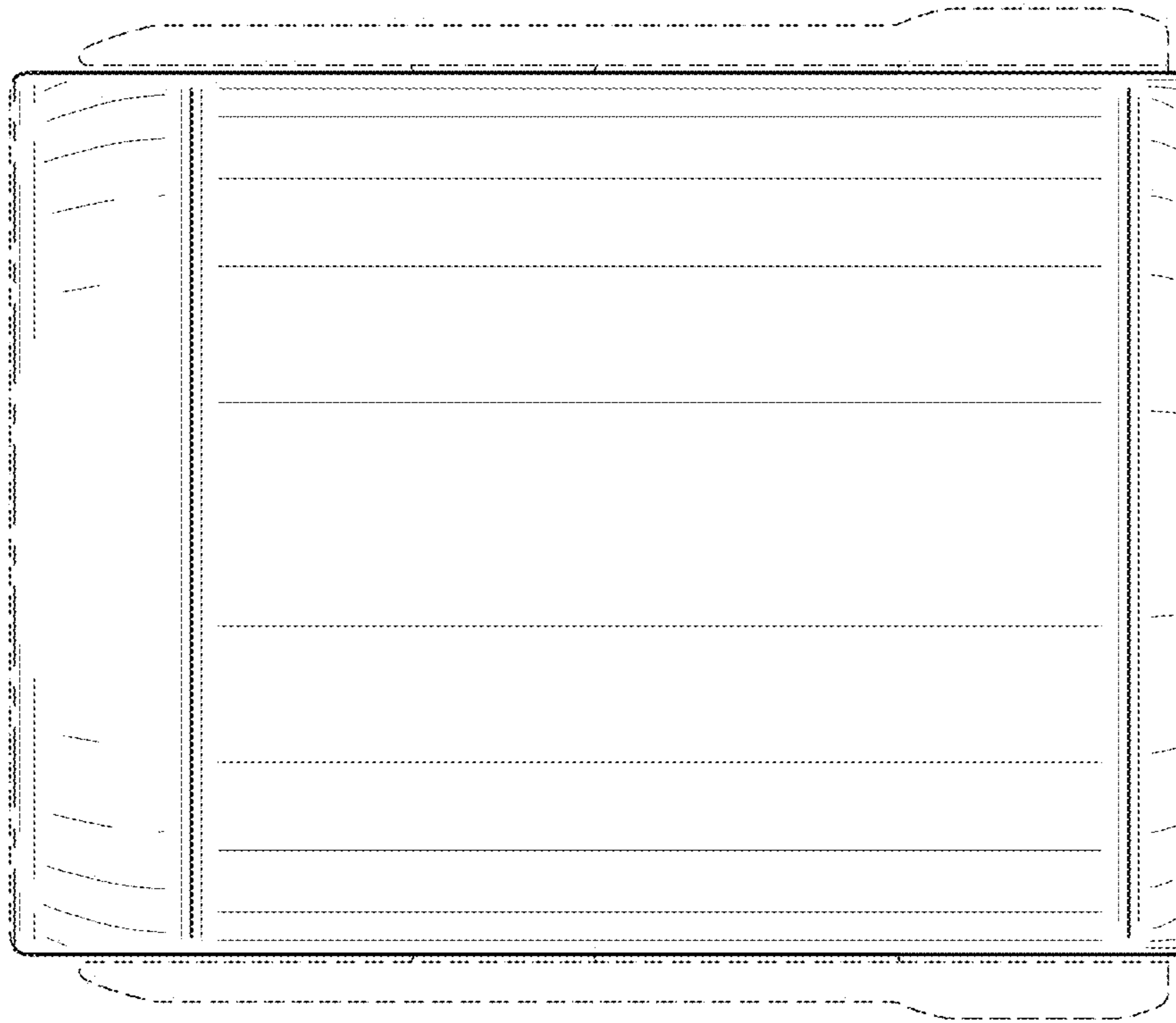


FIG. 4

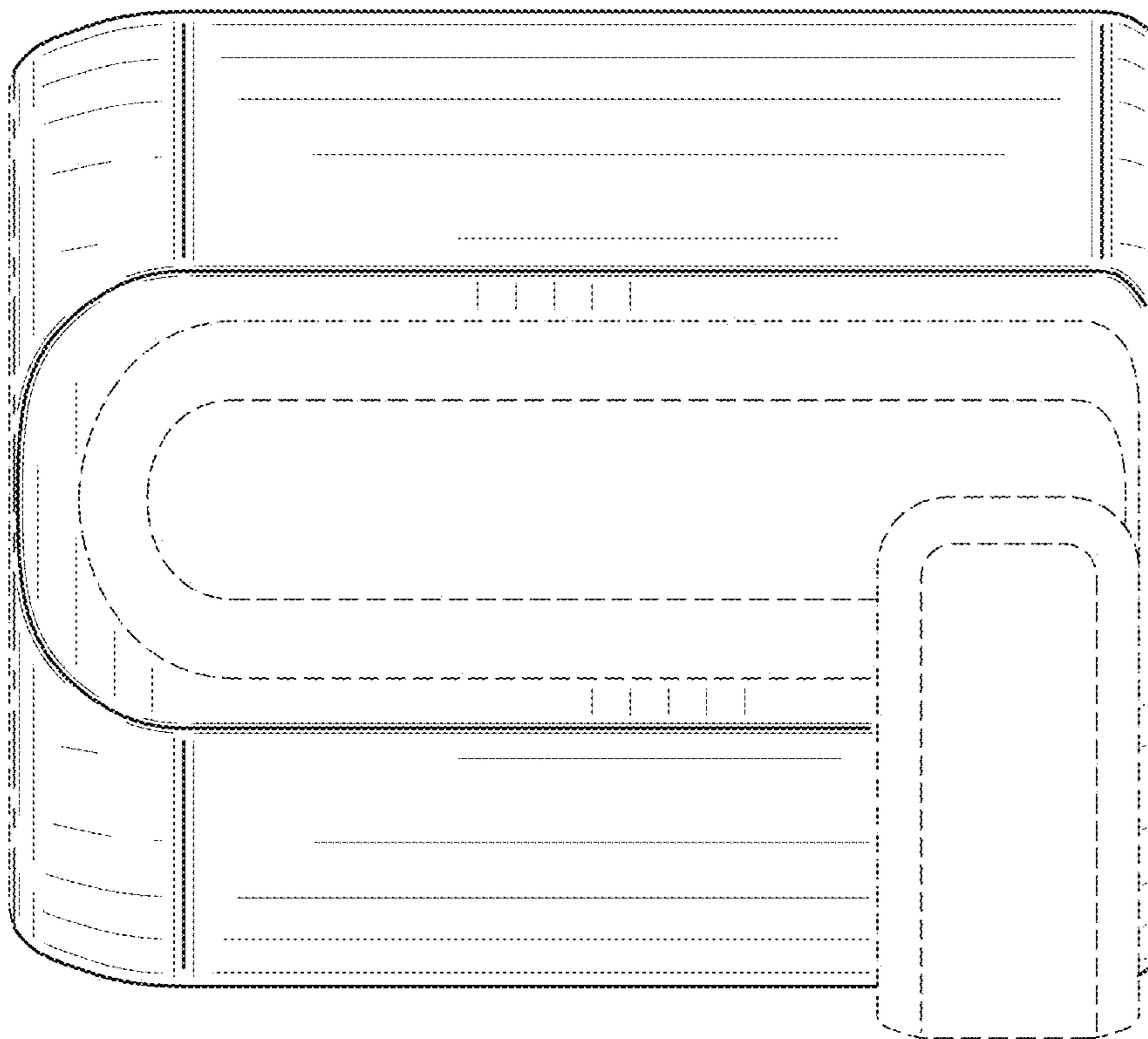


FIG. 5

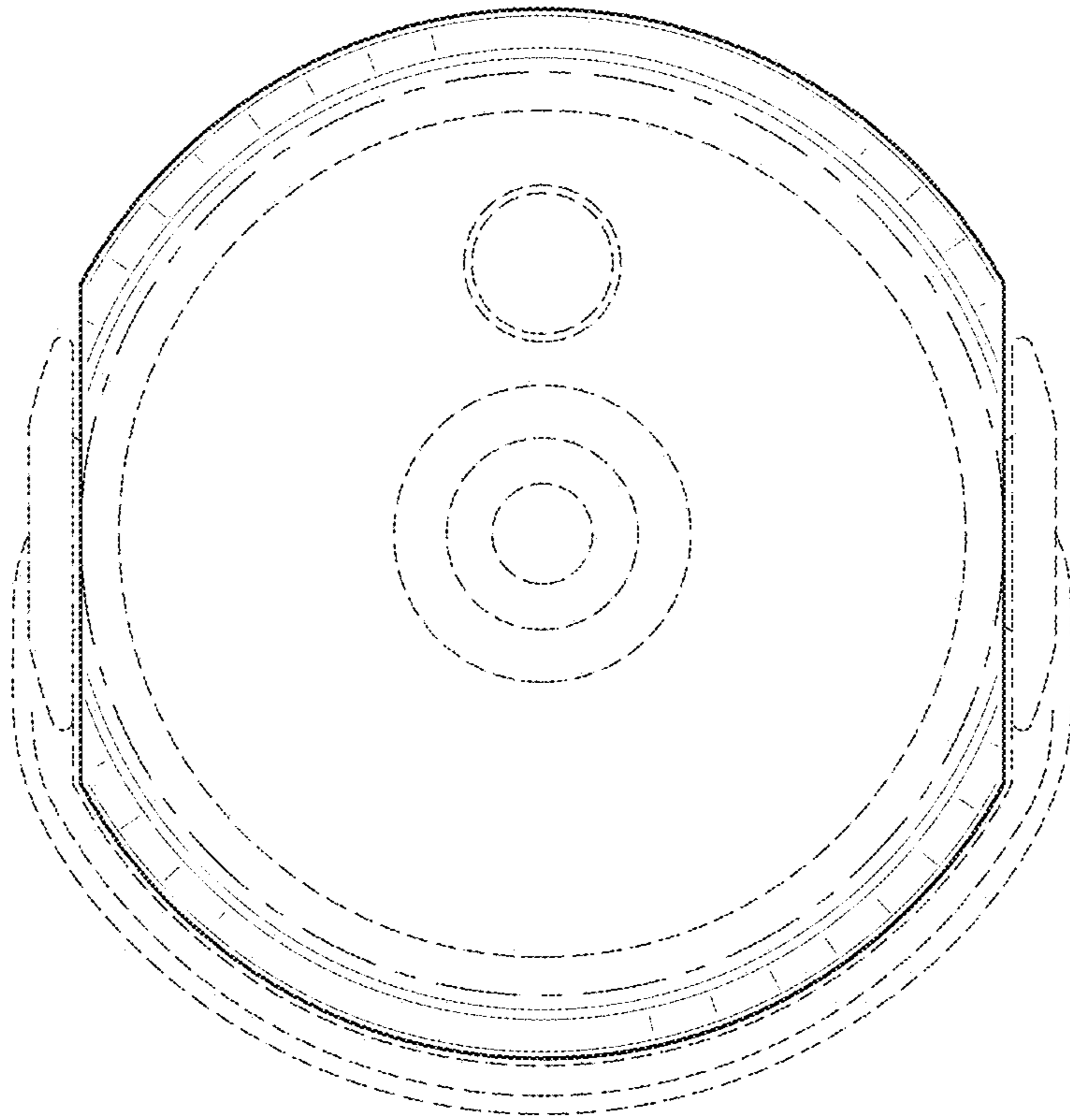


FIG. 6

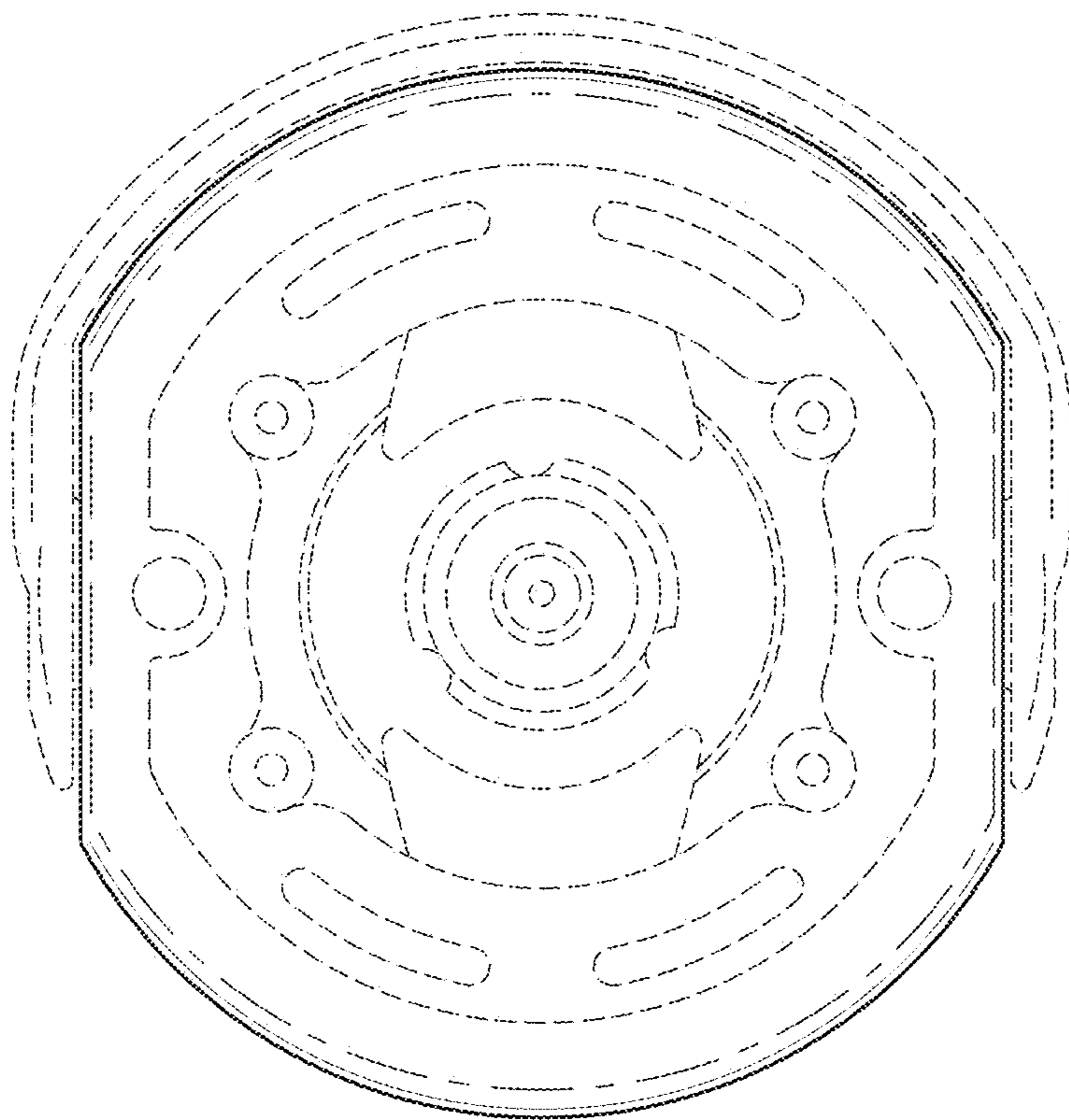


FIG. 7