



US00D937085S

(12) **United States Design Patent**  
**Beardell, III**

(10) **Patent No.: US D937,085 S**

(45) **Date of Patent: \*\* Nov. 30, 2021**

(54) **BOTTLE CAP**

- (71) Applicant: **Ideation Design Hub LLC**,  
Philadelphia, PA (US)
- (72) Inventor: **Louis William Beardell, III**,  
Philadelphia, PA (US)
- (73) Assignee: **Ideation Design Hub LLC**,  
Philadelphia, PA (US)

(\*\*) Term: **15 Years**

(21) Appl. No.: **29/746,421**

(22) Filed: **Aug. 13, 2020**

**Related U.S. Application Data**

(63) Continuation of application No. 29/724,078, filed on Feb. 12, 2020, now Pat. No. Des. 896,075.

(51) **LOC (13) Cl.** ..... **09-07**

(52) **U.S. Cl.**

USPC ..... **D9/449**; D9/435; D9/454

(58) **Field of Classification Search**

USPC ..... D9/434-436, 499, 454, 452, 453, 449;  
D7/392.1, 396.2

CPC ..... B65D 47/04; B65D 47/10; B65D 47/12;  
B65D 47/121

See application file for complete search history.

(56) **References Cited**

**U.S. PATENT DOCUMENTS**

- D286,027 S 10/1986 Waher et al.
- D390,462 S \* 2/1998 Mao ..... D9/435
- D398,851 S 9/1998 Gaiser et al.

(Continued)

**FOREIGN PATENT DOCUMENTS**

- CN 302702063 1/2014
- CN 302702067 1/2014

(Continued)

**OTHER PUBLICATIONS**

Trend Hunter. 18 Inventive Bottle Cap Designs. Apr. 29, 2014.  
<https://www.trendhunter.com/slideshow/bottle-cap-designs> (Year: 2014).\*

(Continued)

*Primary Examiner* — Darcey E Gottschalk

(74) *Attorney, Agent, or Firm* — Morgan, Lewis & Bockius LLP

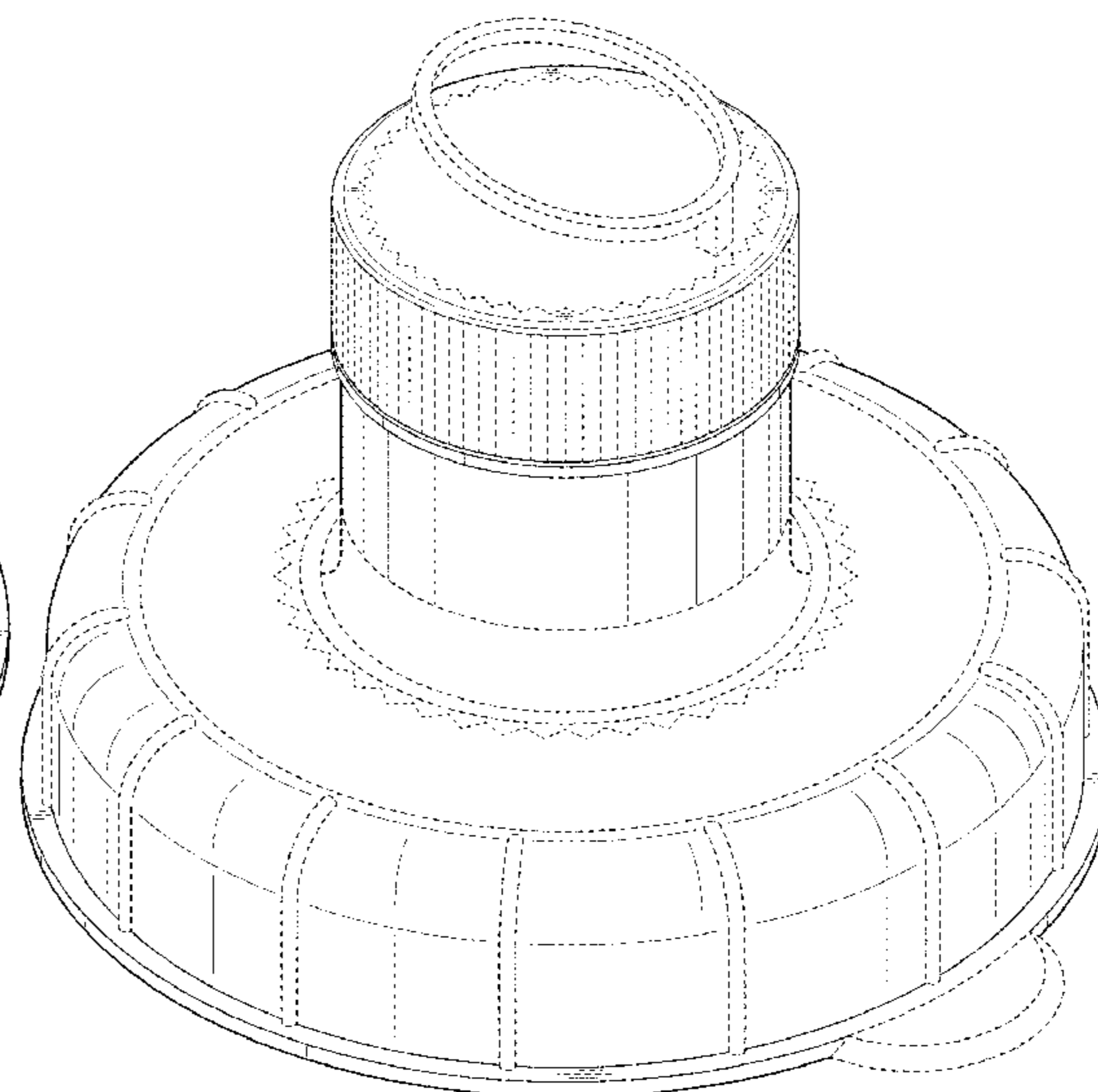
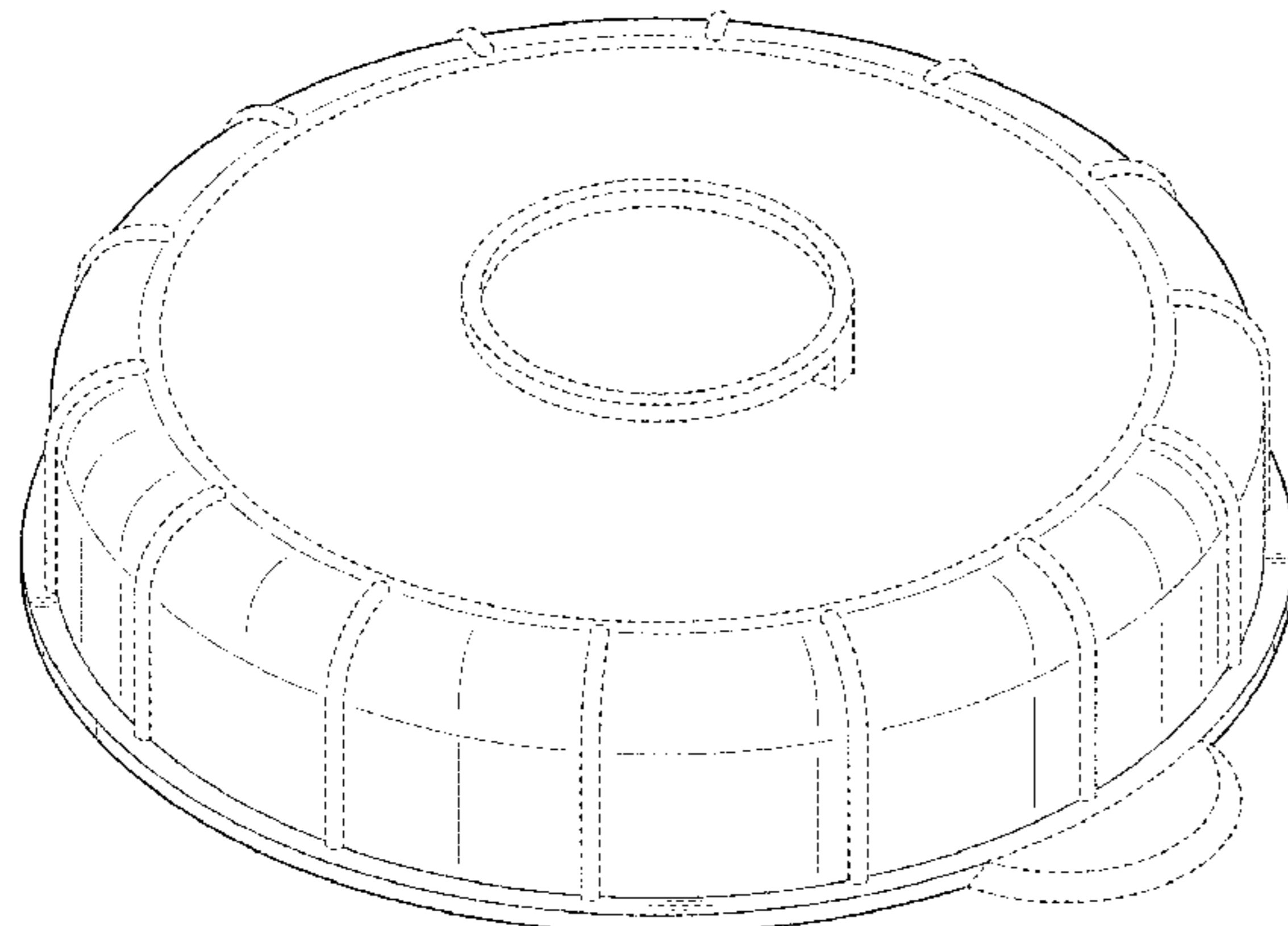
(57) **CLAIM**

The ornamental design for a bottle cap, as shown and described.

**DESCRIPTION**

FIG. 1 is a front perspective view of a bottle cap in a first position showing our new design;  
 FIG. 2 is a front elevational view thereof;  
 FIG. 3 is a rear elevational view thereof;  
 FIG. 4 is a left-side elevational view thereof;  
 FIG. 5 is a right-side elevational view thereof;  
 FIG. 6 is a top plan view thereof;  
 FIG. 7 is a bottom plan view thereof;  
 FIG. 8 is an enlarged front perspective view of the bottle cap shown in FIG. 1 with the container removed;  
 FIG. 9 is a front perspective view of the bottle cap of FIG. 1 shown in a second position;  
 FIG. 10 is a front elevational view thereof;  
 FIG. 11 is a rear elevational view thereof;  
 FIG. 12 is a left-side elevational view thereof;  
 FIG. 13 is a right-side elevational view thereof;  
 FIG. 14 is a top plan view thereof;  
 FIG. 15 is a bottom plan view thereof; and,  
 FIG. 16 is an enlarged front perspective view of the bottle cap shown in FIG. 9 with the container removed.  
 The broken lines illustrate structure or features that form no part of the claimed design.

**1 Claim, 10 Drawing Sheets**



(56)

References Cited

U.S. PATENT DOCUMENTS

6,102,227 A 8/2000 Cochrane  
D436,862 S \* 1/2001 Witt ..... D9/438  
D480,599 S \* 10/2003 Linz ..... D7/392  
D482,283 S \* 11/2003 Wichmann ..... D9/454  
D495,599 S 9/2004 Biesecker  
D503,886 S 4/2005 Biesecker  
D530,611 S \* 10/2006 Nusbaum ..... D9/449  
D535,189 S \* 1/2007 Pitman ..... D9/452  
D551,081 S 9/2007 Ohara et al.  
D587,115 S \* 2/2009 Capretta ..... D9/434  
D595,570 S \* 7/2009 Moretti ..... D9/434  
D612,738 S 3/2010 Bansal  
D613,160 S \* 4/2010 Ablo ..... D9/443  
D619,001 S 7/2010 McKinney  
D630,946 S 1/2011 Crawford  
D657,665 S 4/2012 Rivera et al.  
D668,102 S \* 10/2012 Peters ..... D7/392.1  
D674,146 S 1/2013 Bae  
D684,863 S 6/2013 Snyder  
D686,081 S 7/2013 Colangelo  
D689,774 S 9/2013 Ford  
8,556,103 B2 10/2013 Tiesberger  
D723,373 S 3/2015 Wahl  
D733,967 S 7/2015 Schlatter  
D748,485 S 2/2016 Marret  
D754,537 S 4/2016 Prozumenshchikov  
D754,999 S 5/2016 Gamelli  
D761,607 S 7/2016 Gamelli et al.  
D761,608 S 7/2016 Gamelli et al.  
D761,609 S 7/2016 Gamelli et al.  
D768,492 S 10/2016 Kim  
D769,043 S 10/2016 Gamelli et al.  
D778,725 S \* 2/2017 Sorensen ..... D9/447  
D784,155 S 4/2017 De Baschmakoff  
D784,820 S 4/2017 Kuzma et al.  
D788,587 S 6/2017 Clemence et al.  
D791,542 S 7/2017 Miksovsky et al.

D792,223 S 7/2017 Kim  
9,714,121 B2 7/2017 Gamelli  
D797,498 S \* 9/2017 Sorensen ..... D7/396.2  
D814,298 S 4/2018 Ramon  
D836,977 S 1/2019 Sorensen et al.  
D845,126 S 4/2019 Prozumenshchikov  
D858,284 S 9/2019 Murac et al.  
D881,007 S 4/2020 Christianson et al.  
D895,737 S \* 9/2020 Russell ..... D21/573  
D896,075 S \* 9/2020 Beardell, III ..... D9/435  
D896,077 S \* 9/2020 Matusek ..... D9/440  
D901,296 S \* 11/2020 Moore ..... D9/435  
2012/0261380 A1 \* 10/2012 Frishman ..... B65D 17/4012  
215/255  
2015/0027976 A1 \* 1/2015 de St. Jeor ..... B65D 41/3423  
215/316  
2015/0050405 A1 2/2015 Trager et al.  
2016/0347514 A1 \* 12/2016 Kim ..... B65D 55/16

FOREIGN PATENT DOCUMENTS

CN 304296736 9/2014  
CN 303717614 6/2016  
CN 303726529 6/2016  
CN 304217930 7/2017  
CN 304454178 1/2018  
JP D1338348 8/2007

OTHER PUBLICATIONS

Amazon. The Dairy Shoppe Heavy Glass Milk Bottles 2 Quart (64 Oz) Jugs with Extra Lids & Free Pour Spout! (2, 64 oz). Apr. 29, 2016, <https://www.amazon.com/Dairy-Shoppe-Heavy-Glass-Bottles/dp/B01EZ3P9RQ>(Year: 2016).  
Closure Systems International, Flex-Chuck. No date specified. <https://csiclosures.com/en/Equipment%20And%20Services/Headsets%20And%20Chucks/Flex%20Chuck> (Year: 0).

\* cited by examiner

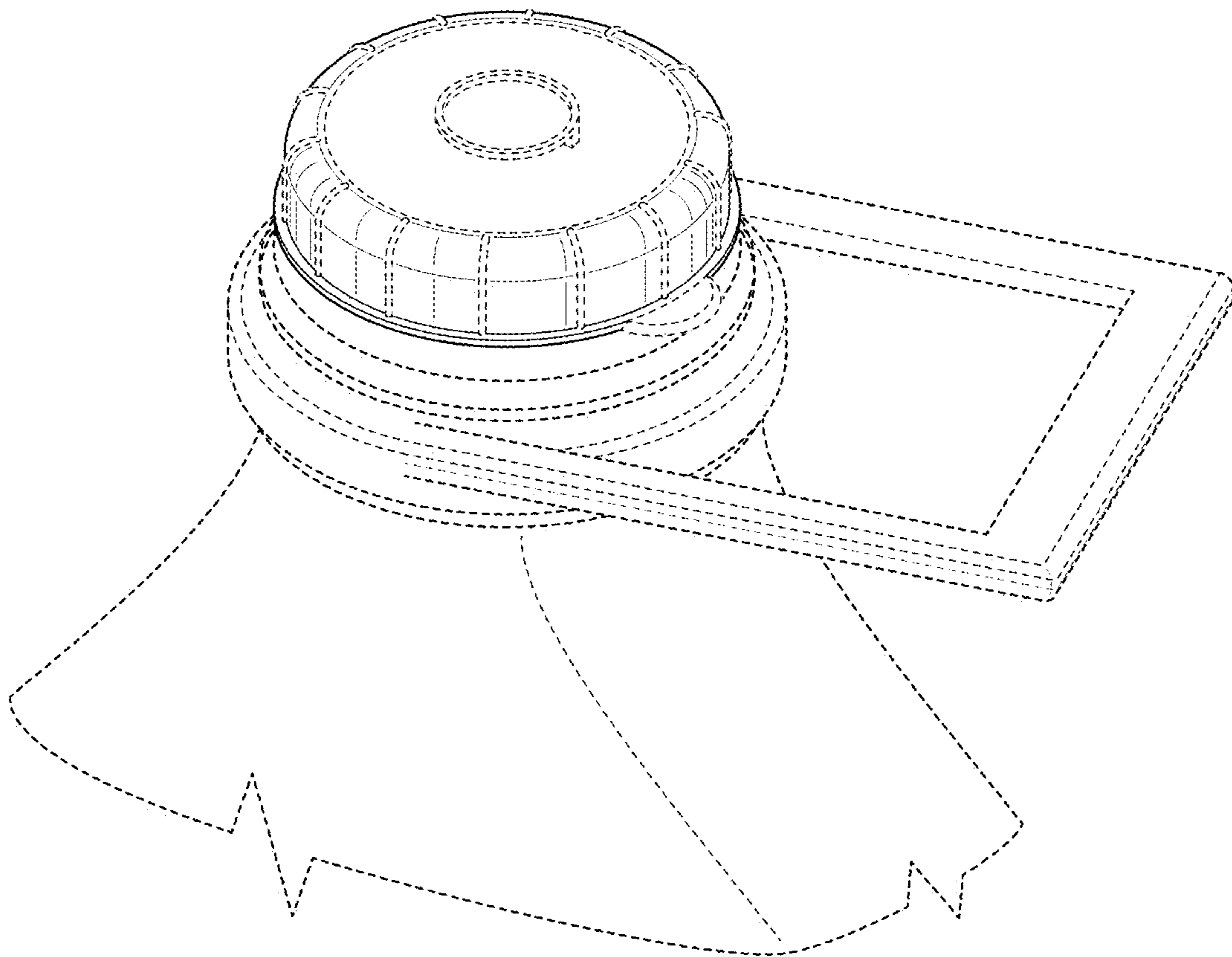


FIG. 1

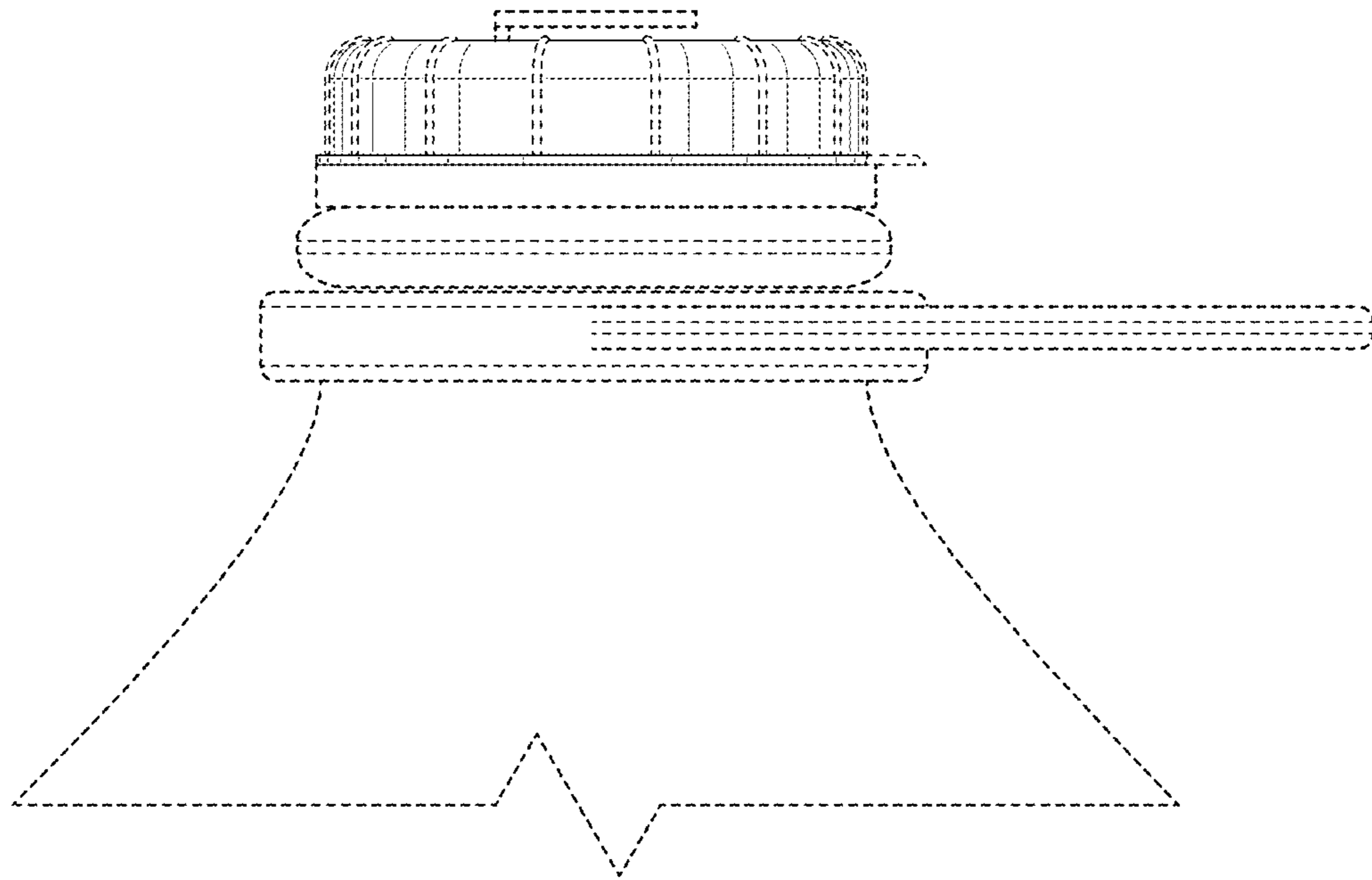


FIG. 2

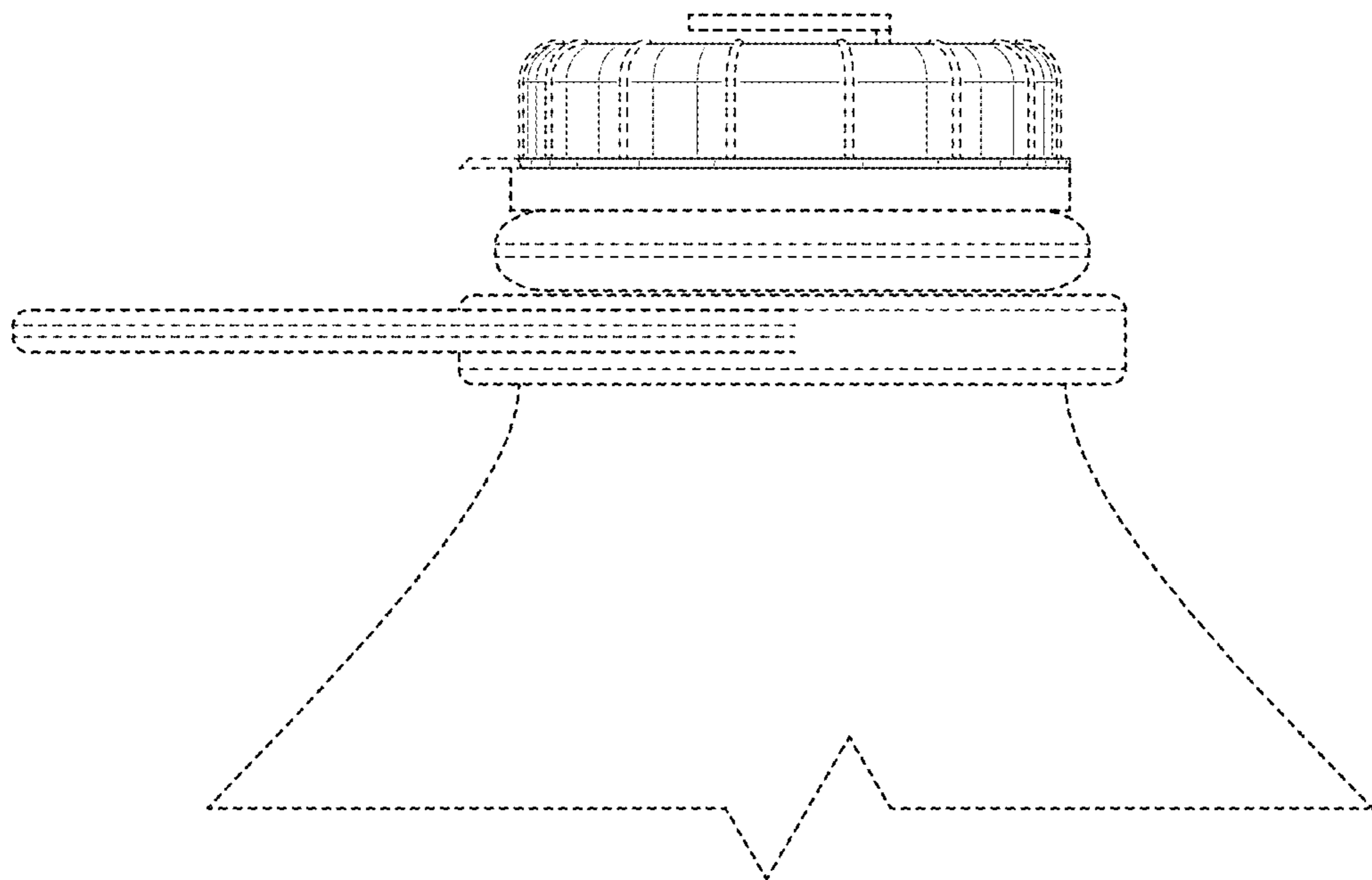


FIG. 3

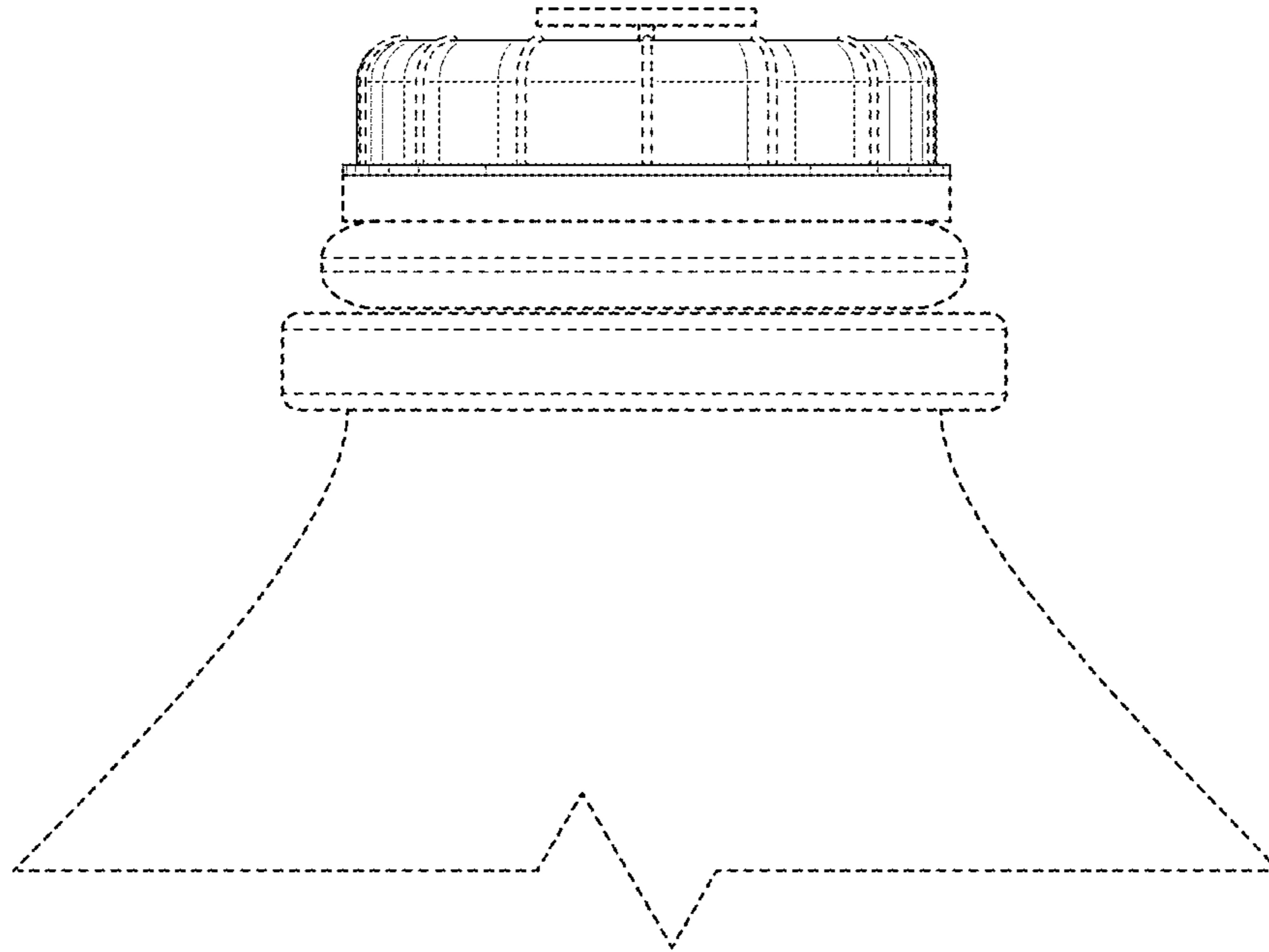


FIG. 4

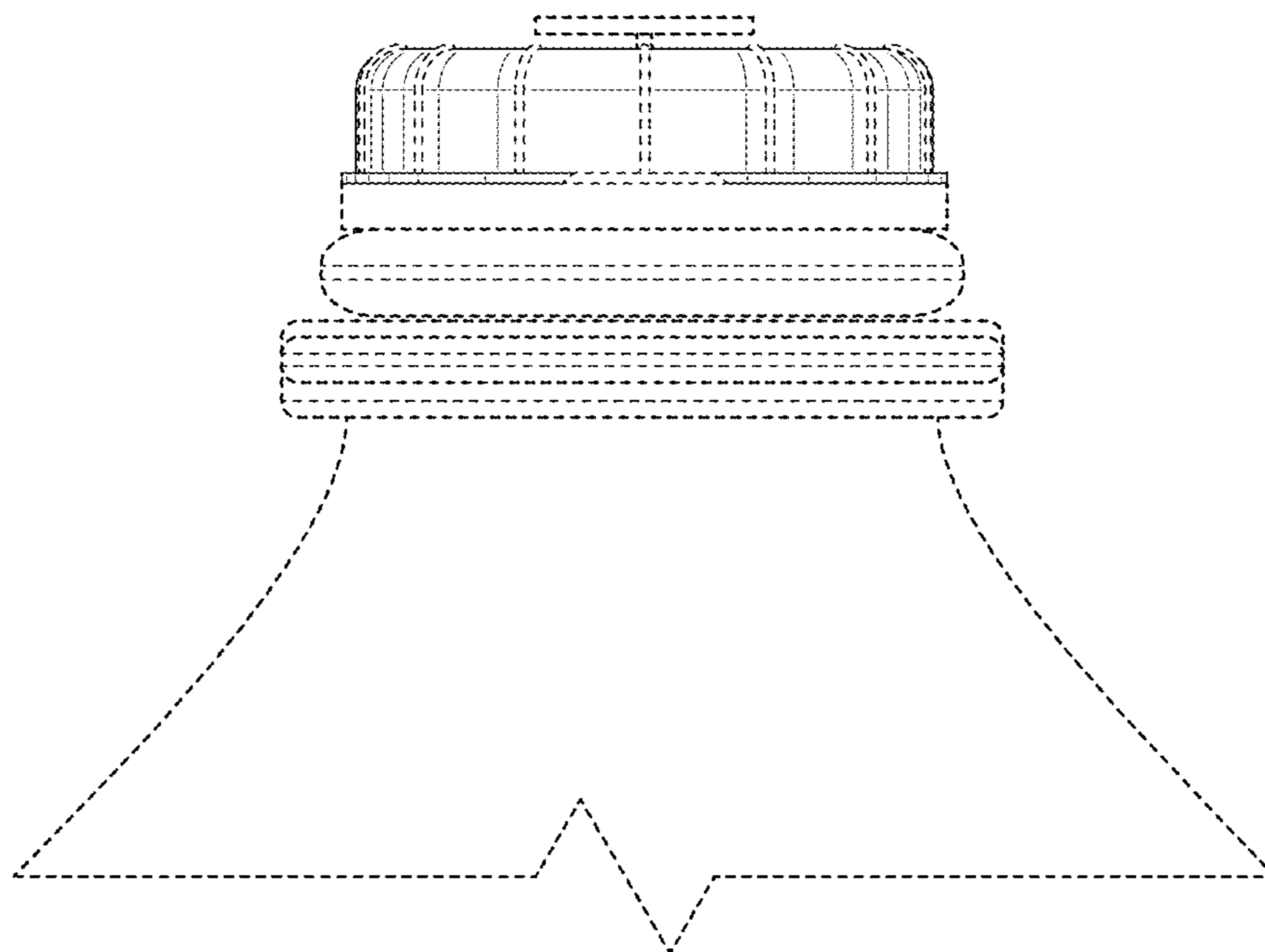


FIG. 5

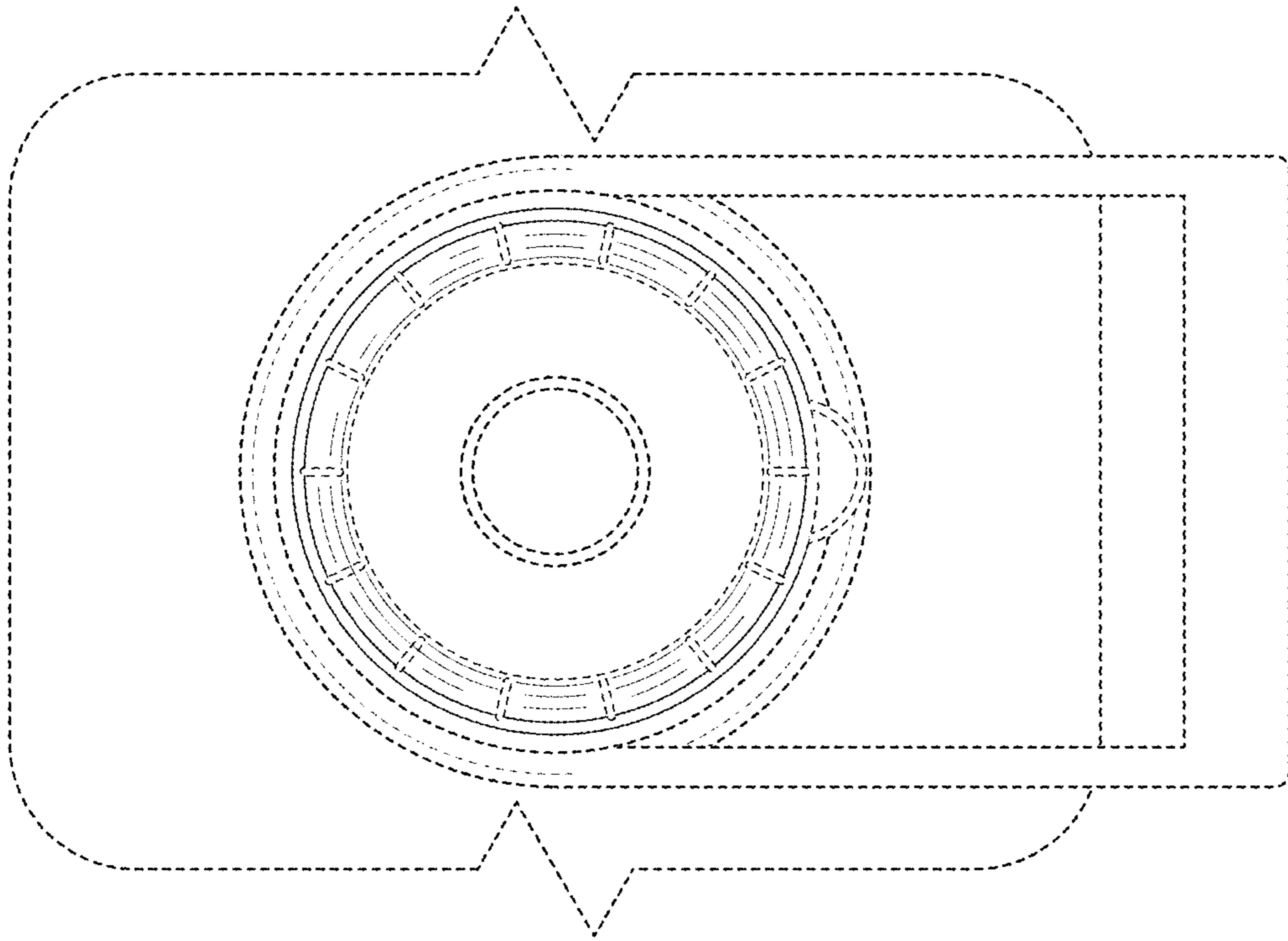


FIG. 6

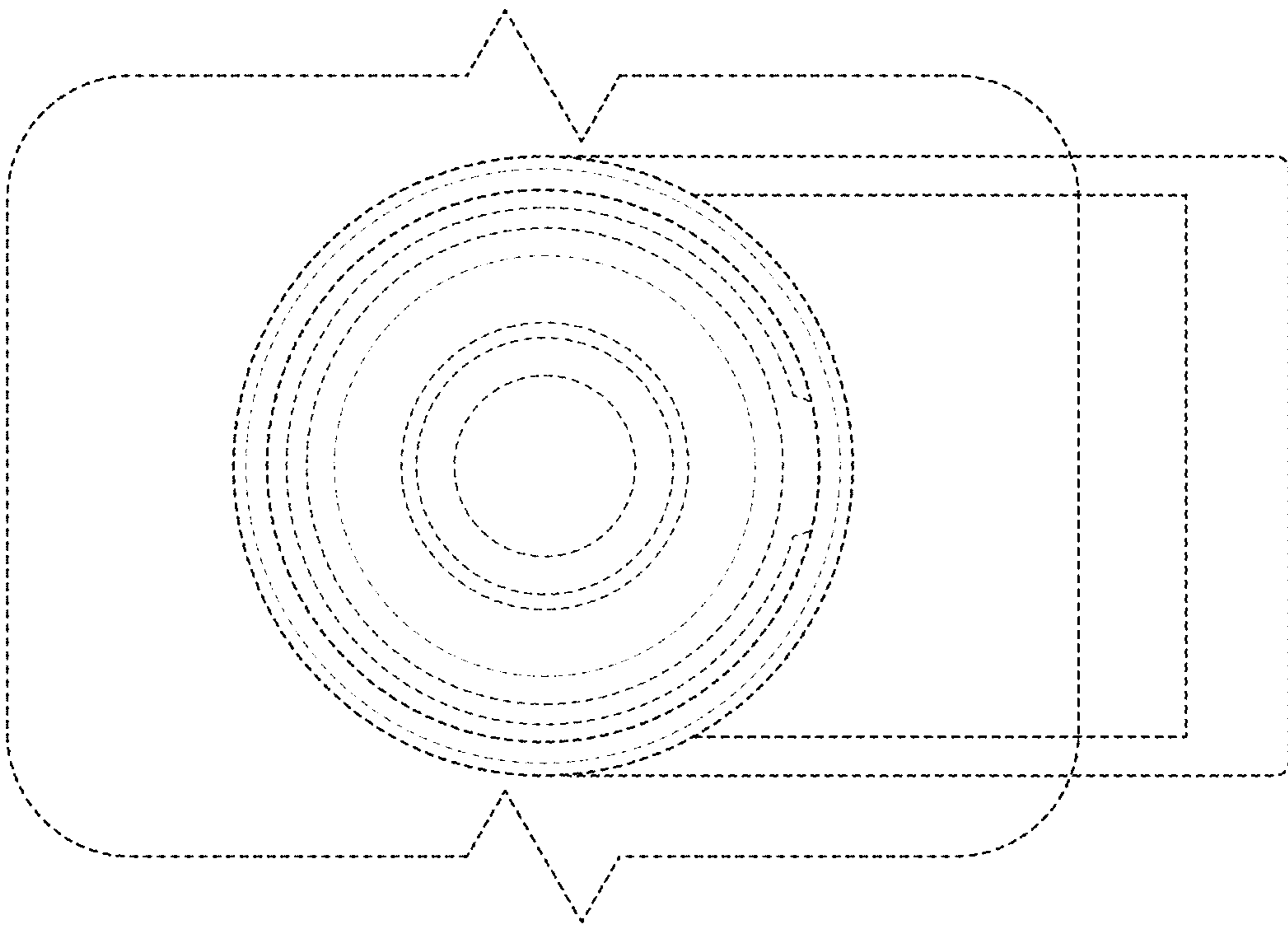


FIG. 7

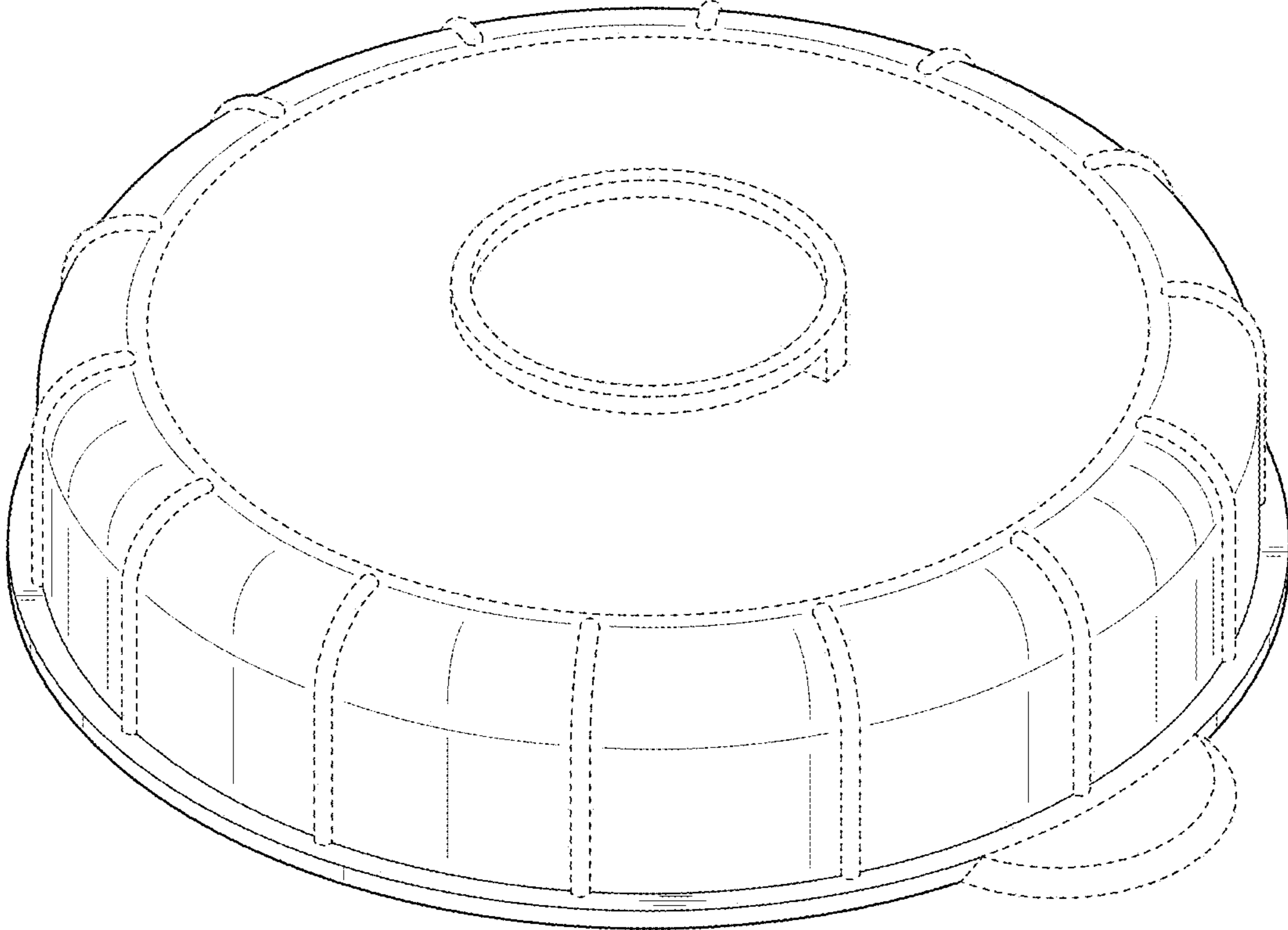


FIG. 8

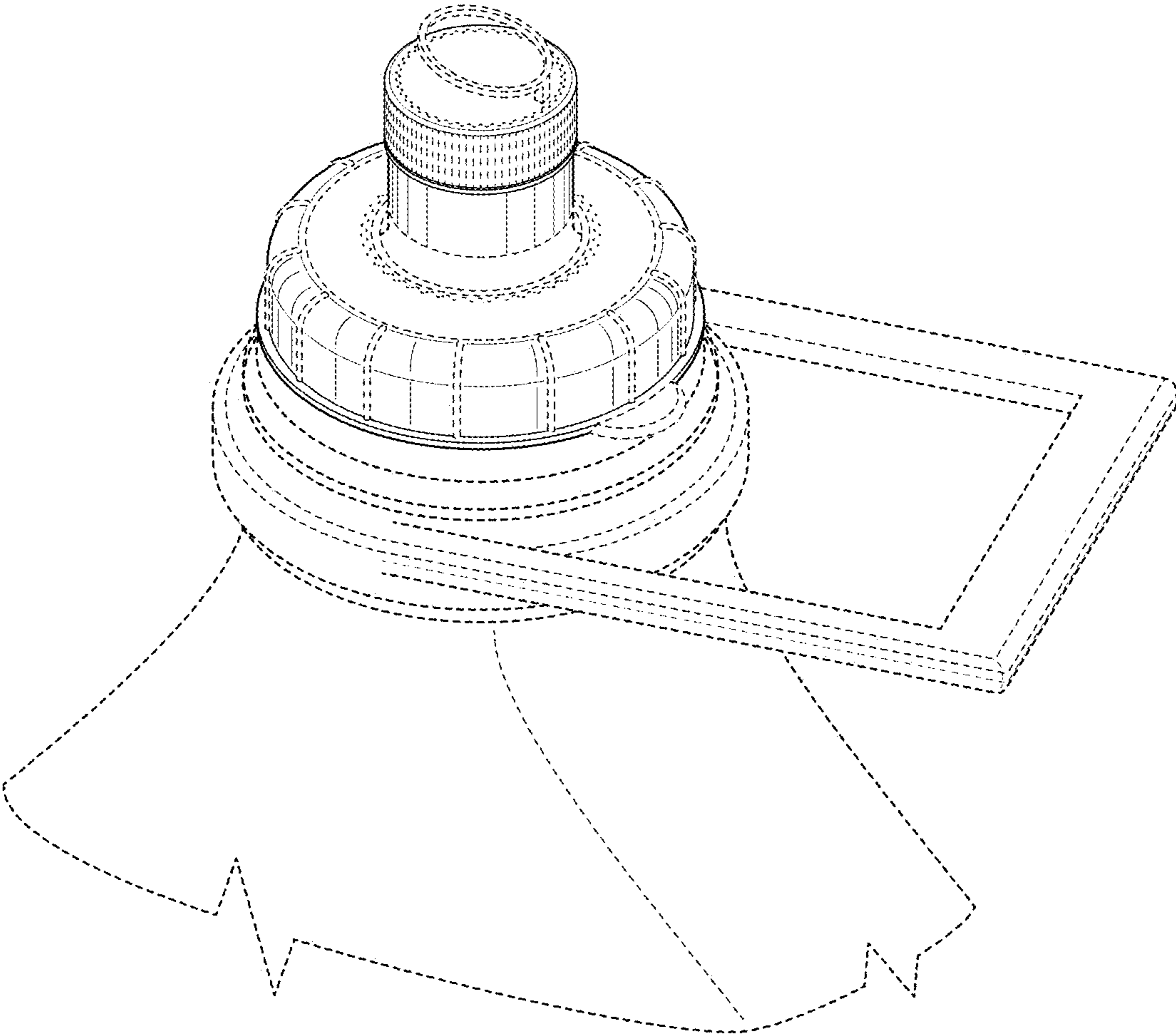


FIG. 9



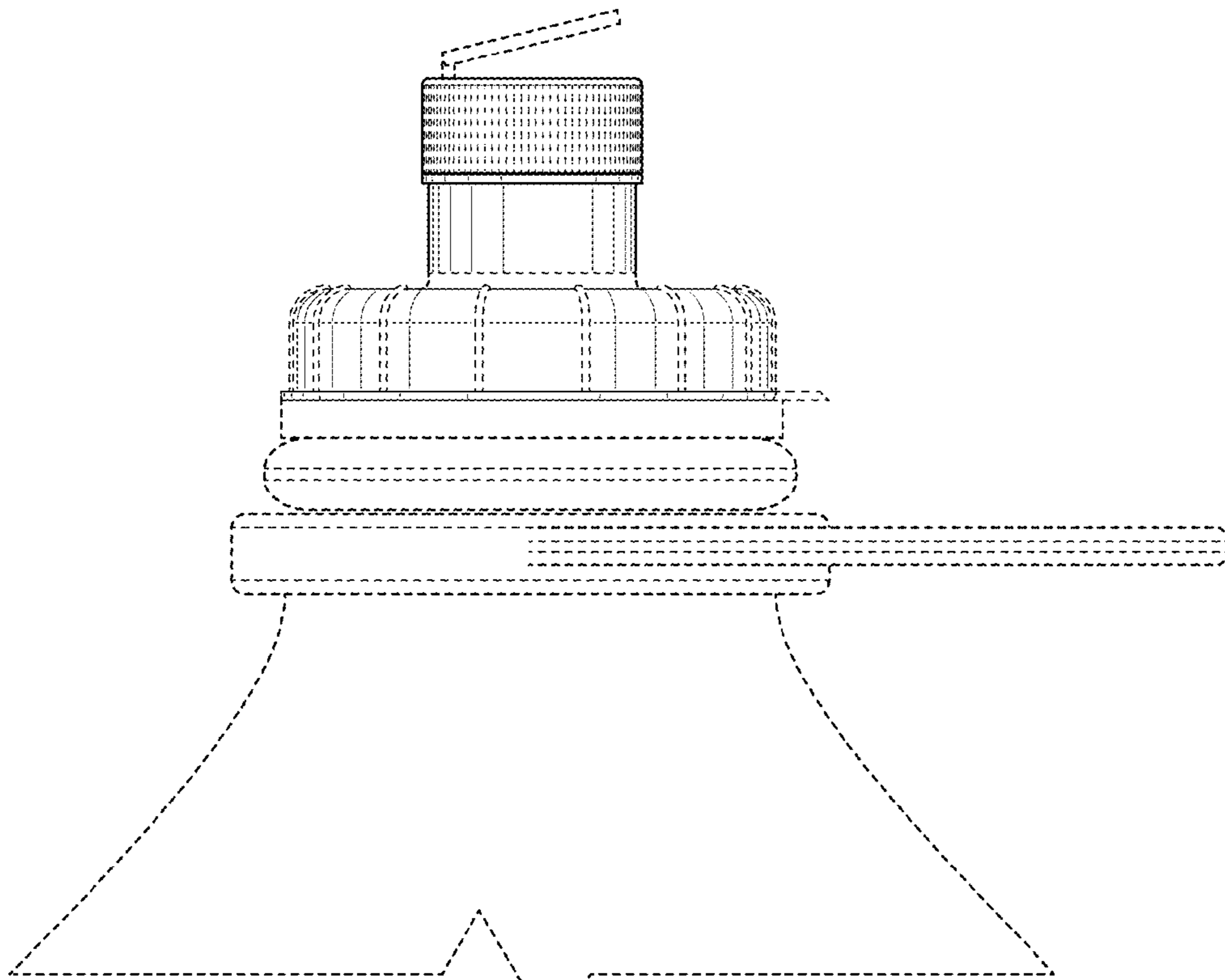


FIG. 10

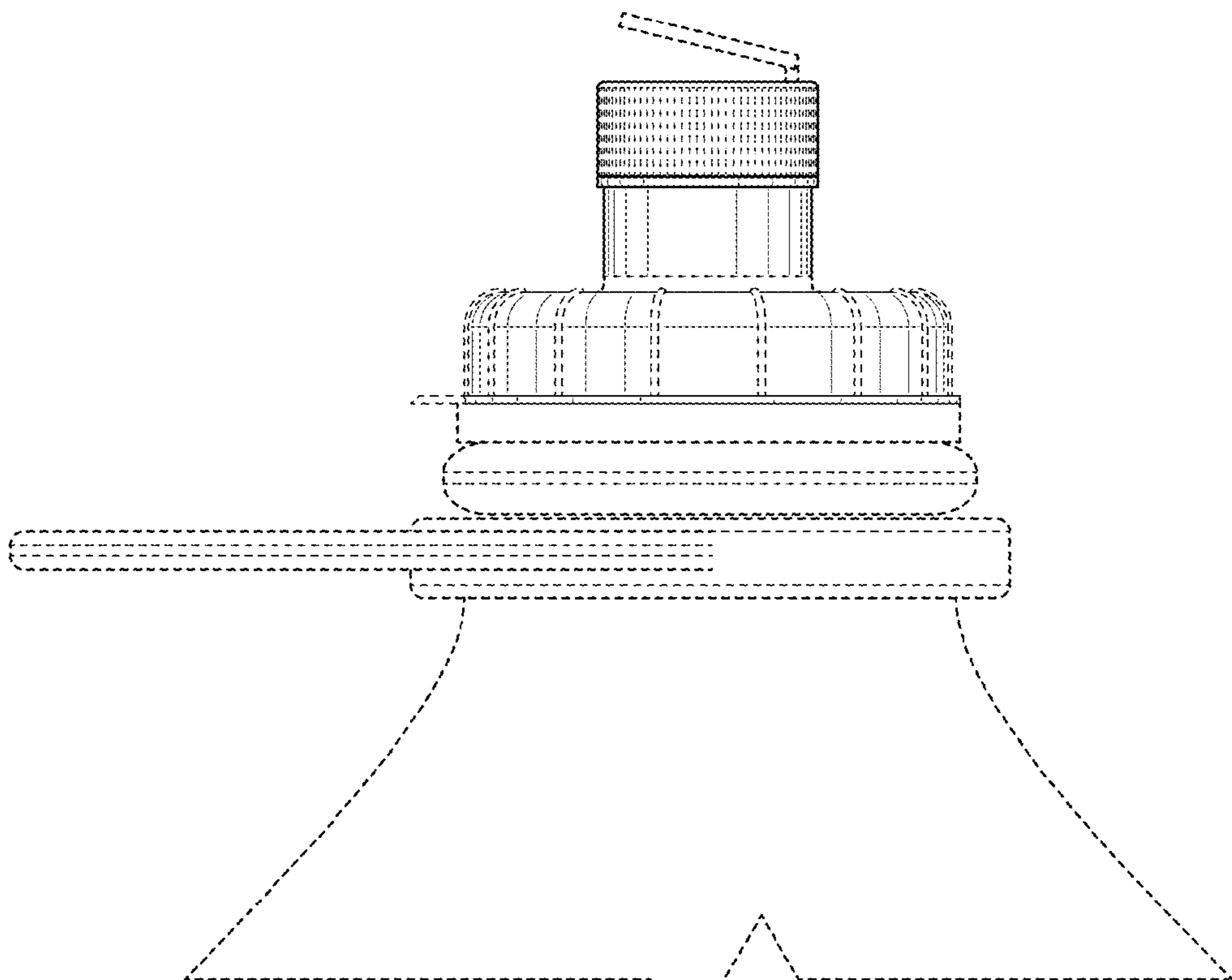


FIG. 11

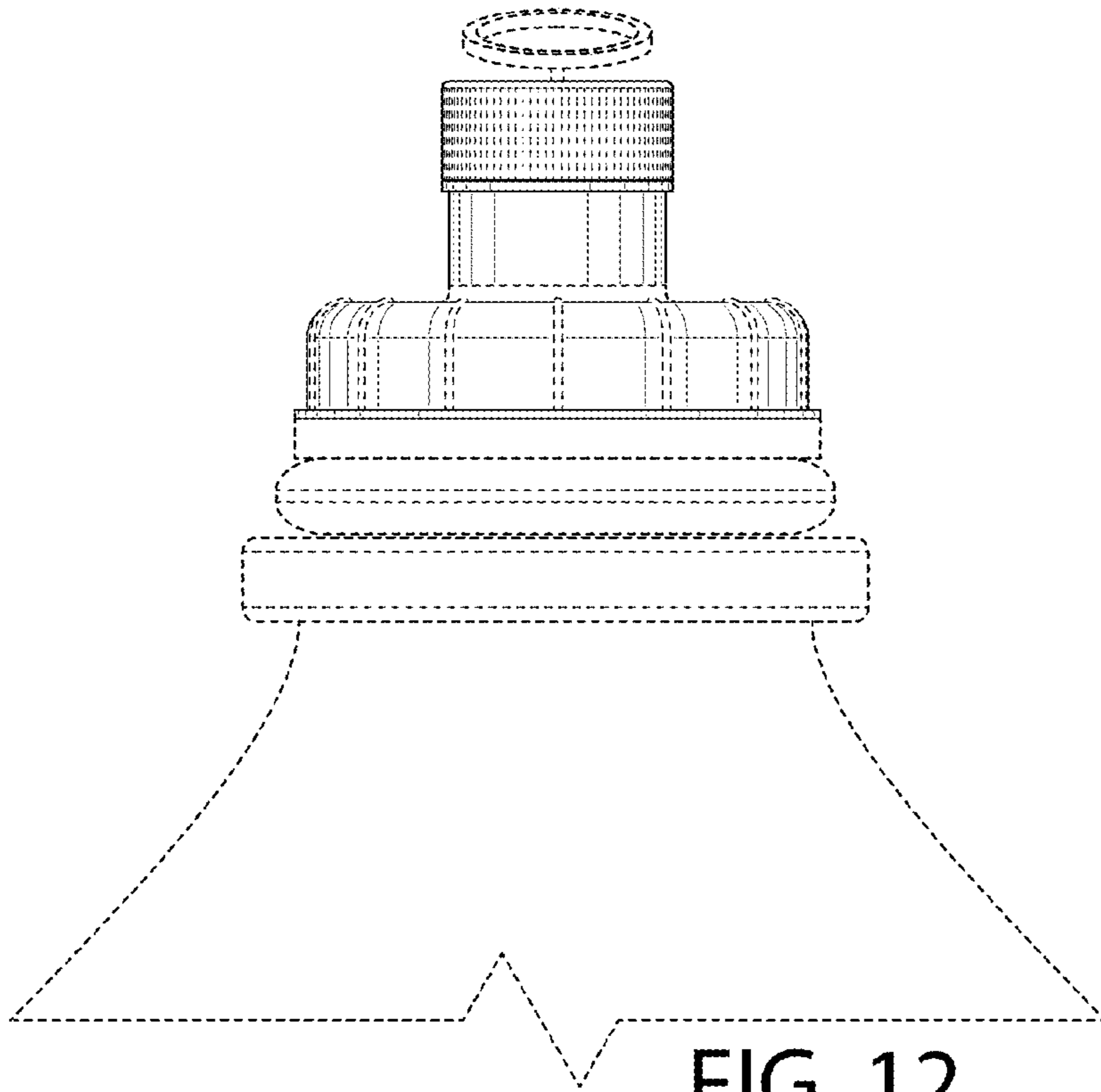


FIG. 12

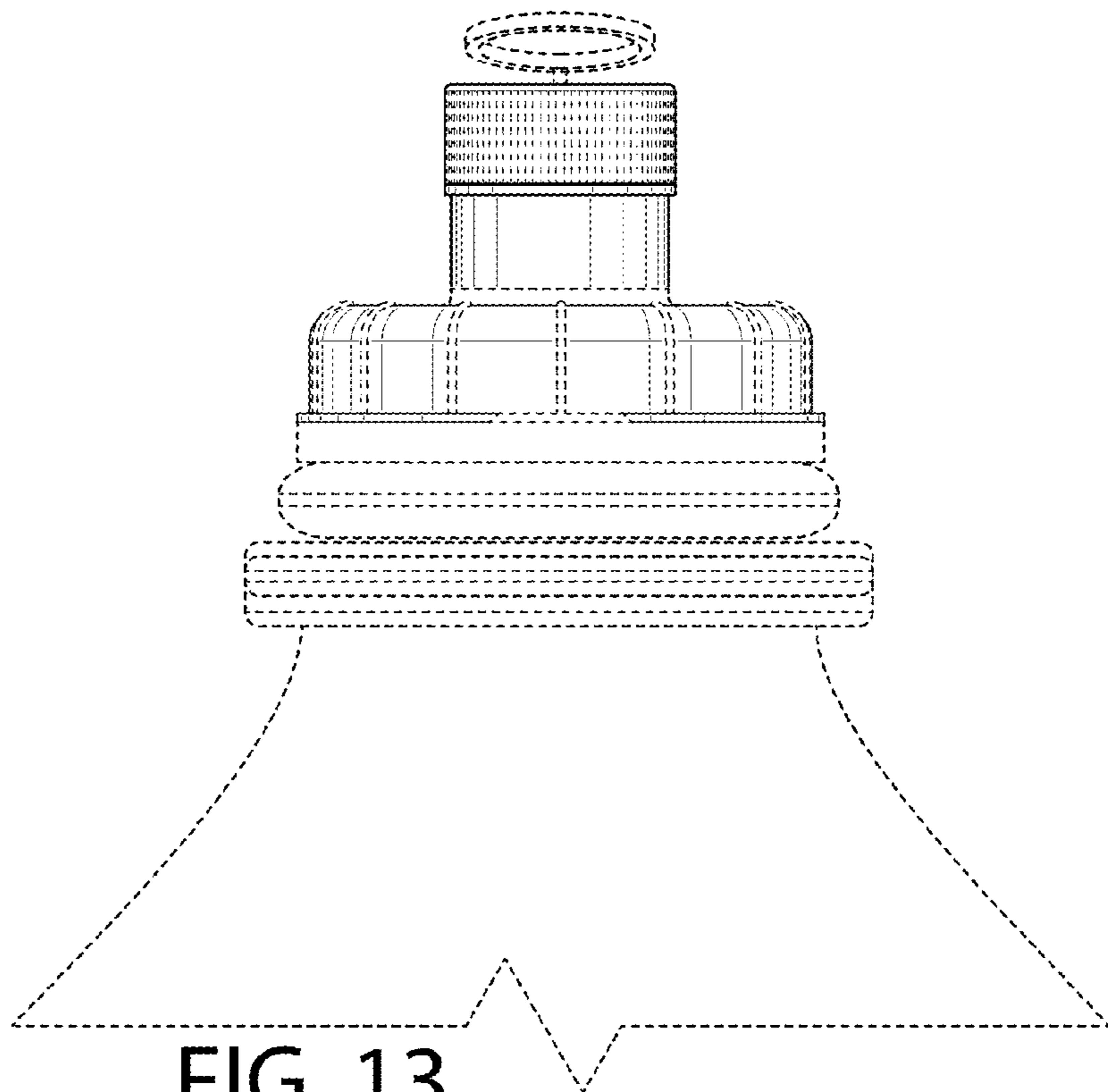


FIG. 13

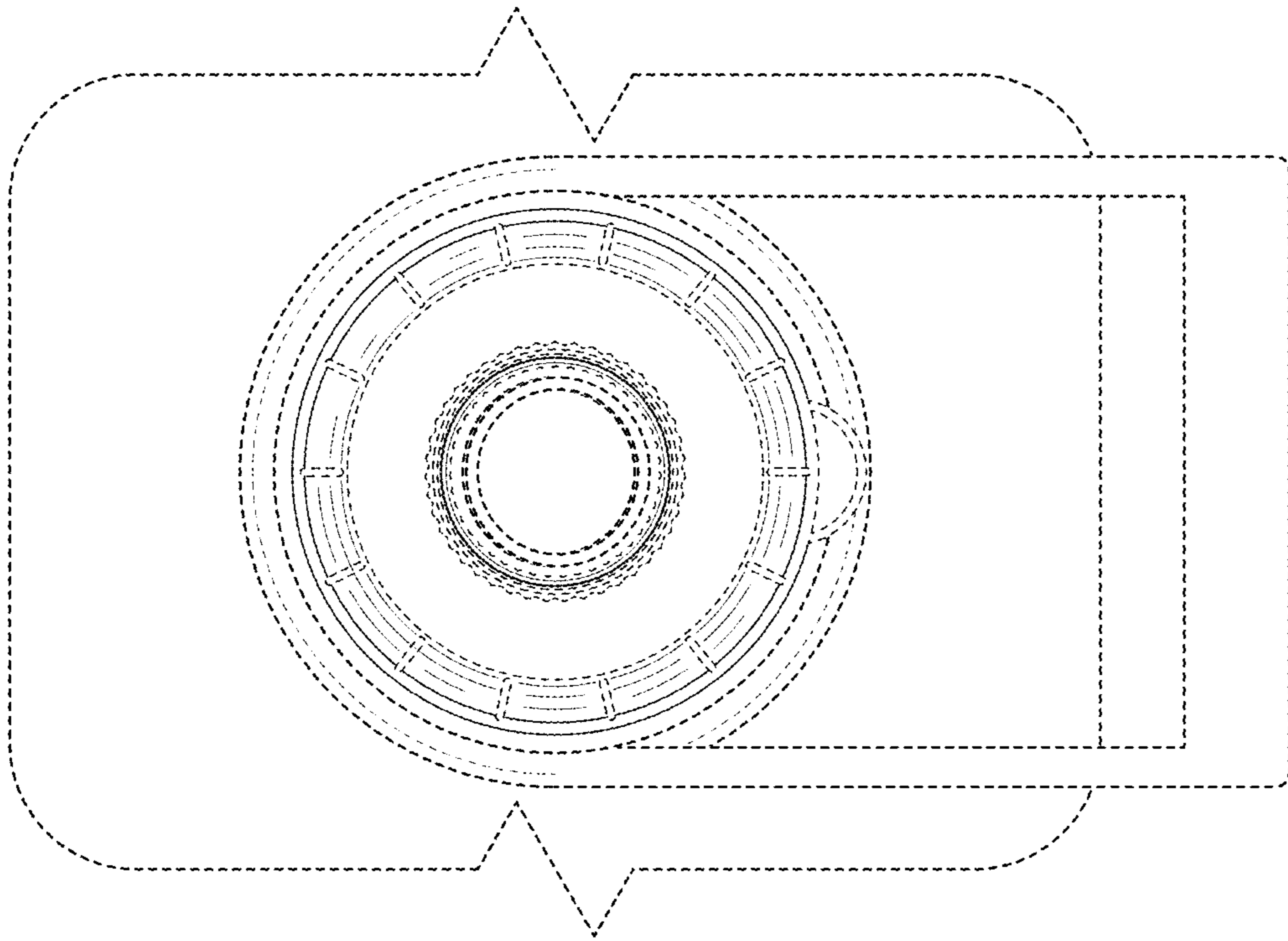


FIG. 14

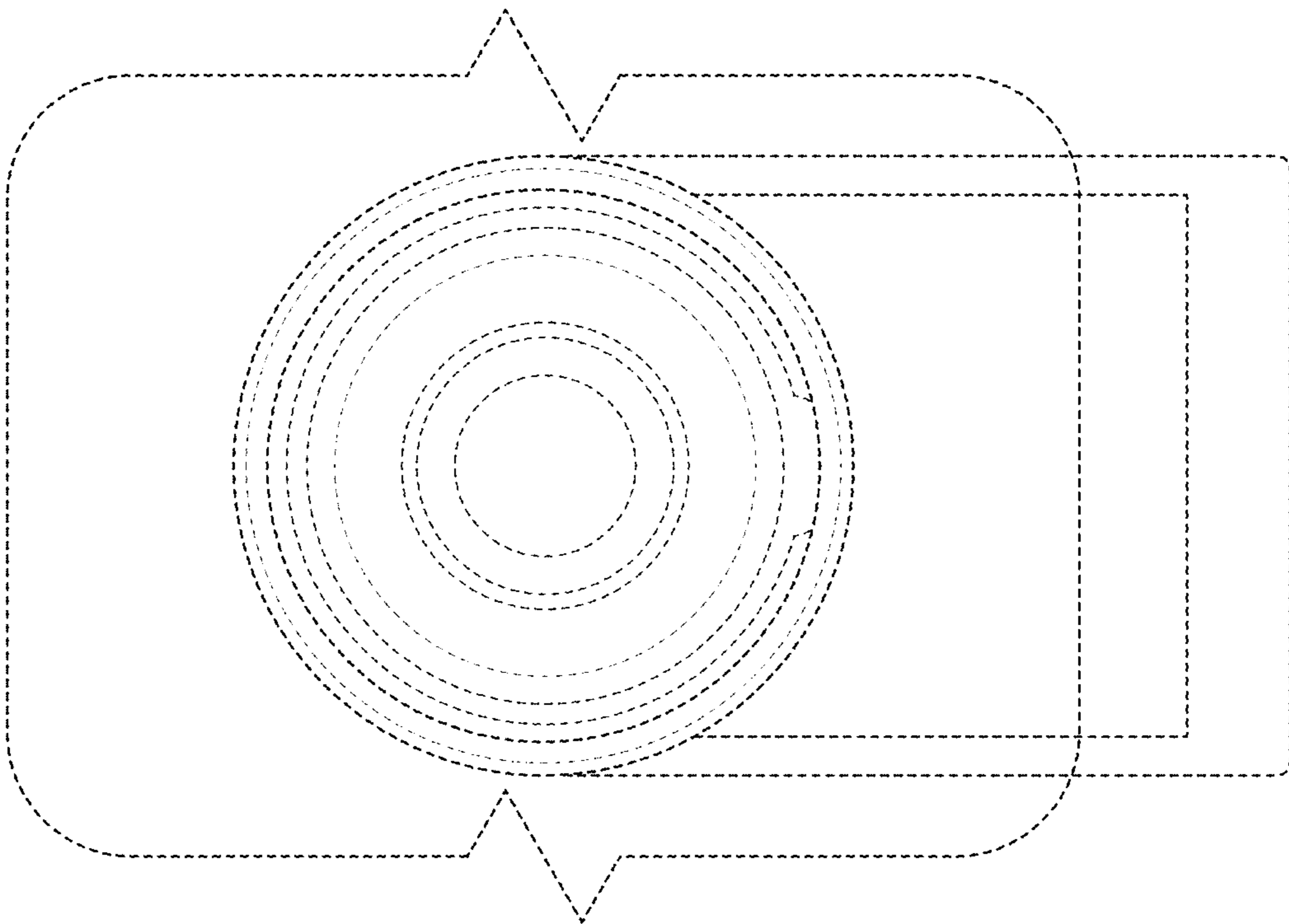


FIG. 15

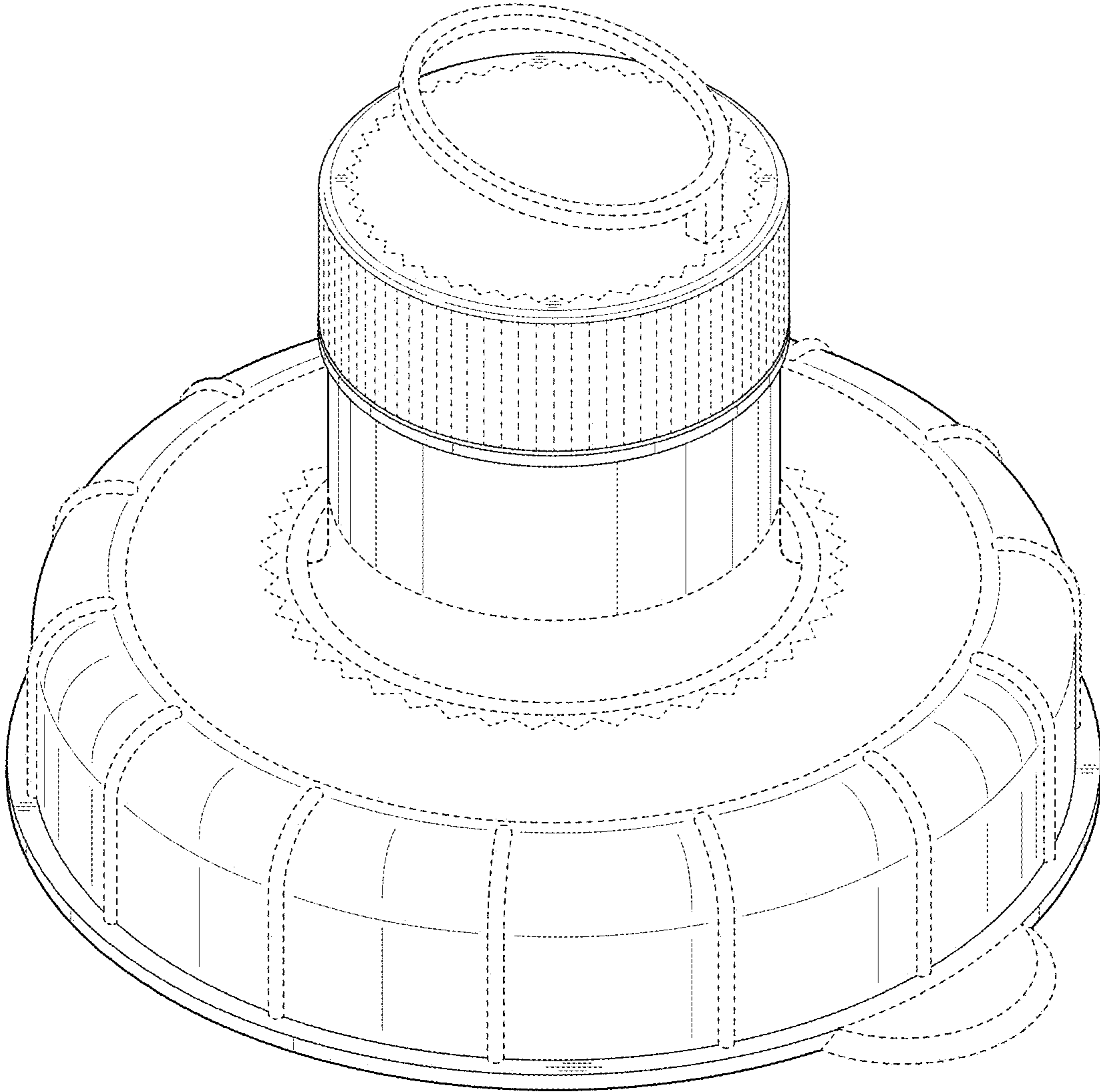


FIG. 16