



US00D937083S

(12) **United States Design Patent**  
**Van Staveren**

(10) **Patent No.:** **US D937,083 S**

(45) **Date of Patent:** **\*\* Nov. 30, 2021**

(54) **LID FOR BABY WIPE PACKAGING**

(71) Applicant: **Xplorys Holding B.V.**, Broek op Langedijk (NL)

(72) Inventor: **Andy Van Staveren**, Broek op Langedijk (NL)

(\*\*) Term: **15 Years**

(21) Appl. No.: **35/509,335**

(22) Filed: **Dec. 31, 2019**

(80) **Hague Agreement Data**

Int. Filing Date: **Dec. 31, 2019**

Int. Reg. No.: **DM/207927**

Int. Reg. Date: **Dec. 31, 2019**

Int. Reg. Pub. Date: **May 15, 2020**

(51) **LOC (13) Cl.** ..... **09-07**

(52) **U.S. Cl.**

USPC ..... **D9/435**

(58) **Field of Classification Search**

USPC ..... D9/420, 422-425, 430, 432, 434, 435, D9/447, 449, 450, 734; 9/426

CPC ..... B65D 1/24; B65D 43/14; B65D 51/04  
See application file for complete search history.

(56) **References Cited**

**U.S. PATENT DOCUMENTS**

D366,830 S *	2/1996	Christianson	.....	D9/423
D450,960 S *	11/2001	Boyea	.....	D6/515
D530,606 S *	10/2006	Liebe	.....	D9/440
D571,146 S *	6/2008	Sanfilippo	.....	D7/391
D656,021 S *	3/2012	Dunn	.....	D9/435
D665,259 S *	8/2012	Dunn	.....	D9/435
D671,000 S *	11/2012	O'Neill	.....	B65D 75/5877
				D9/449
D715,645 S *	10/2014	Bergbohm	.....	D9/435
D721,578 S *	1/2015	Julius	.....	D9/435
D729,062 S *	5/2015	Julius	.....	D9/435
D756,219 S *	5/2016	Sanfilippo	.....	D9/435

D850,912 S *	6/2019	Wilson	.....	B65D 43/163
				D9/449
10,472,135 B2 *	11/2019	Wang	.....	B65D 43/163
D891,782 S *	8/2020	Ragias	.....	D3/318
2010/0089935 A1 *	4/2010	Heilman	.....	B65D 47/0871
				220/833
2011/0017745 A1 *	1/2011	Michaels	.....	A47K 10/42
				220/521
2012/0097697 A1 *	4/2012	Gehring	.....	B65D 75/5838
				221/46

(Continued)

**FOREIGN PATENT DOCUMENTS**

WO WO-2009062251 A1 \* 5/2009 ..... A45C 11/24

*Primary Examiner* — Keli L Hill

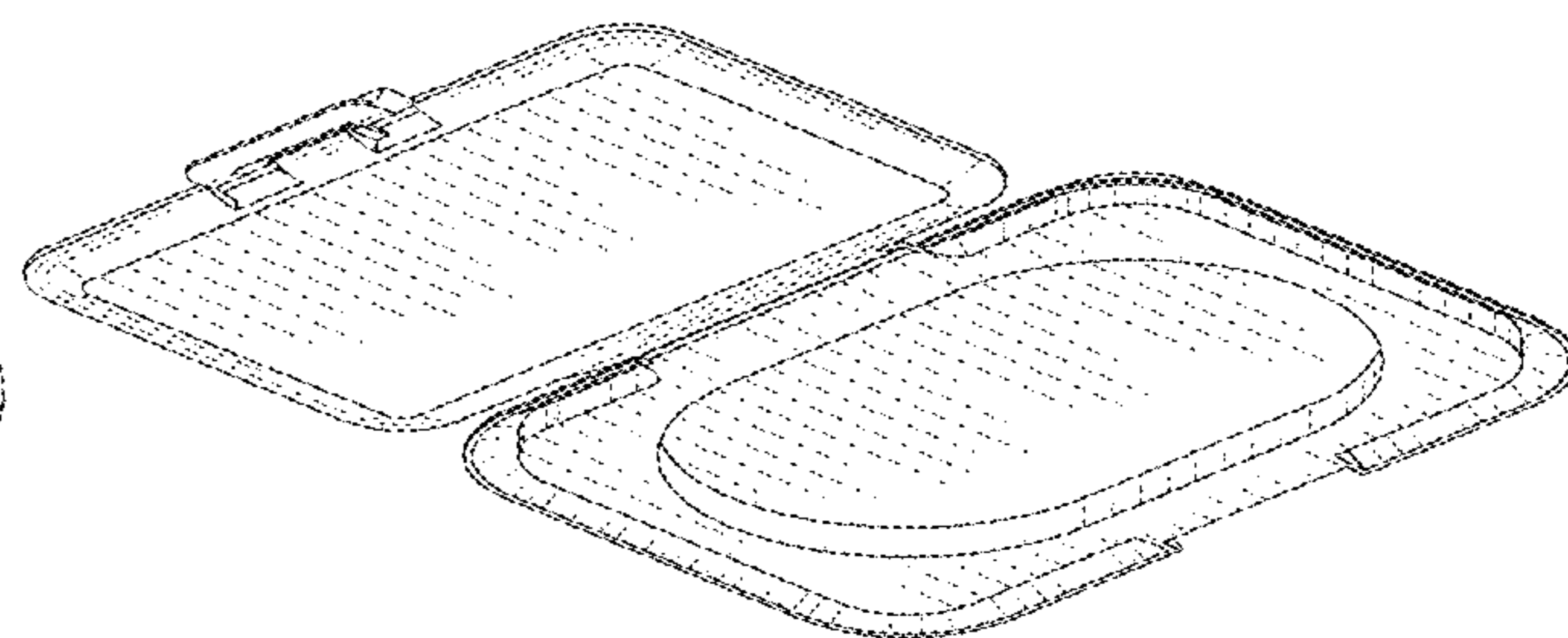
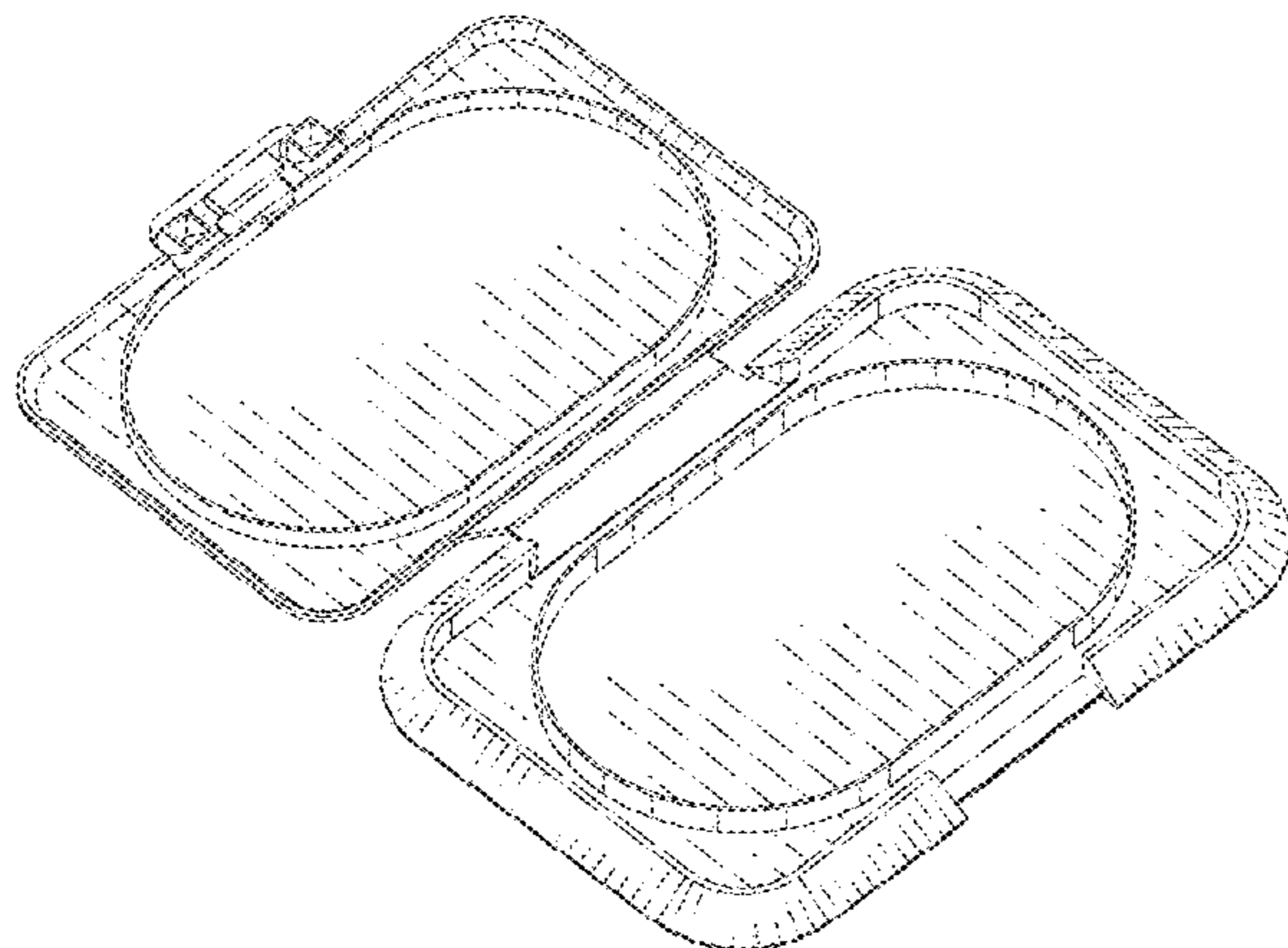
(57) **CLAIM**

The ornamental design for a lid for baby wipe packaging, as shown and described.

**DESCRIPTION**

1. Lid for baby wipe packaging
- 1.17 is a right side elevation view shown in a closed configuration;
- 1.18 is a top front perspective view thereof;
- 1.19 is a left side elevation view thereof;
- 1.20 is a bottom plan view thereof;
- 1.21 is a front elevation view thereof;
- 1.22 is a top plan view thereof;
- 1.23 is a bottom perspective view thereof;
- 1.24 is a top front perspective view thereof;
- 1.25 is a left side elevation view thereof, shown in an open configuration;
- 1.26 is a front elevation view of 1.25;
- 1.27 is a top plan view of 1.25;
- 1.28 is a rear elevation view of 1.25;
- 1.29 is a right side elevation view of 1.25;
- 1.30 is a bottom plan view of 1.25;
- 1.31 is a top front perspective view of 1.25; and
- 1.32 is a bottom rear perspective view of 1.25.

**1 Claim, 16 Drawing Sheets**



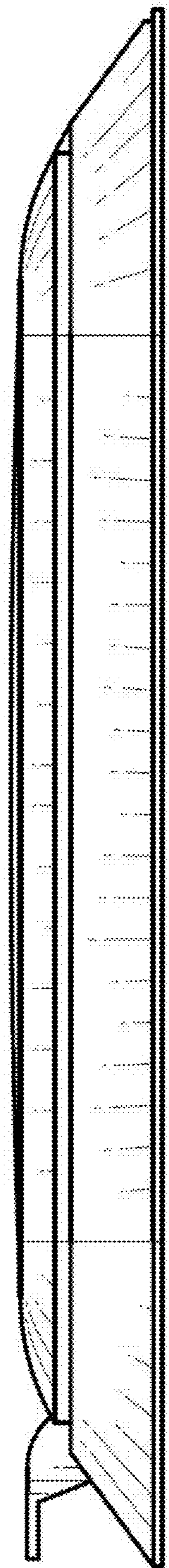
(56)

**References Cited**

U.S. PATENT DOCUMENTS

2014/0048553 A1\* 2/2014 Julius ..... B65D 75/58  
220/810  
2017/0341841 A1\* 11/2017 Guo ..... B65D 77/32

\* cited by examiner



**FIG. 1.17**

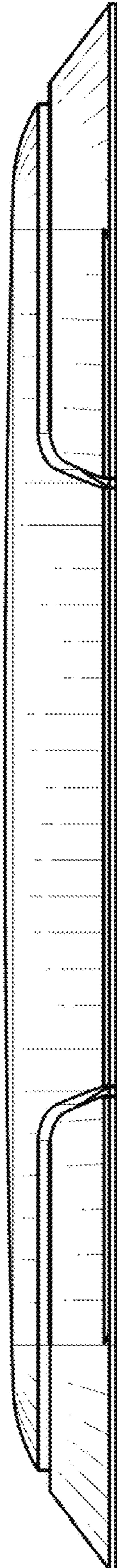
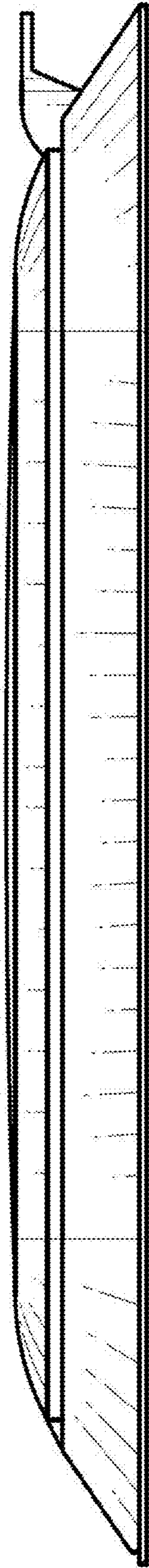


FIG. 1.18



**FIG. 1.19**



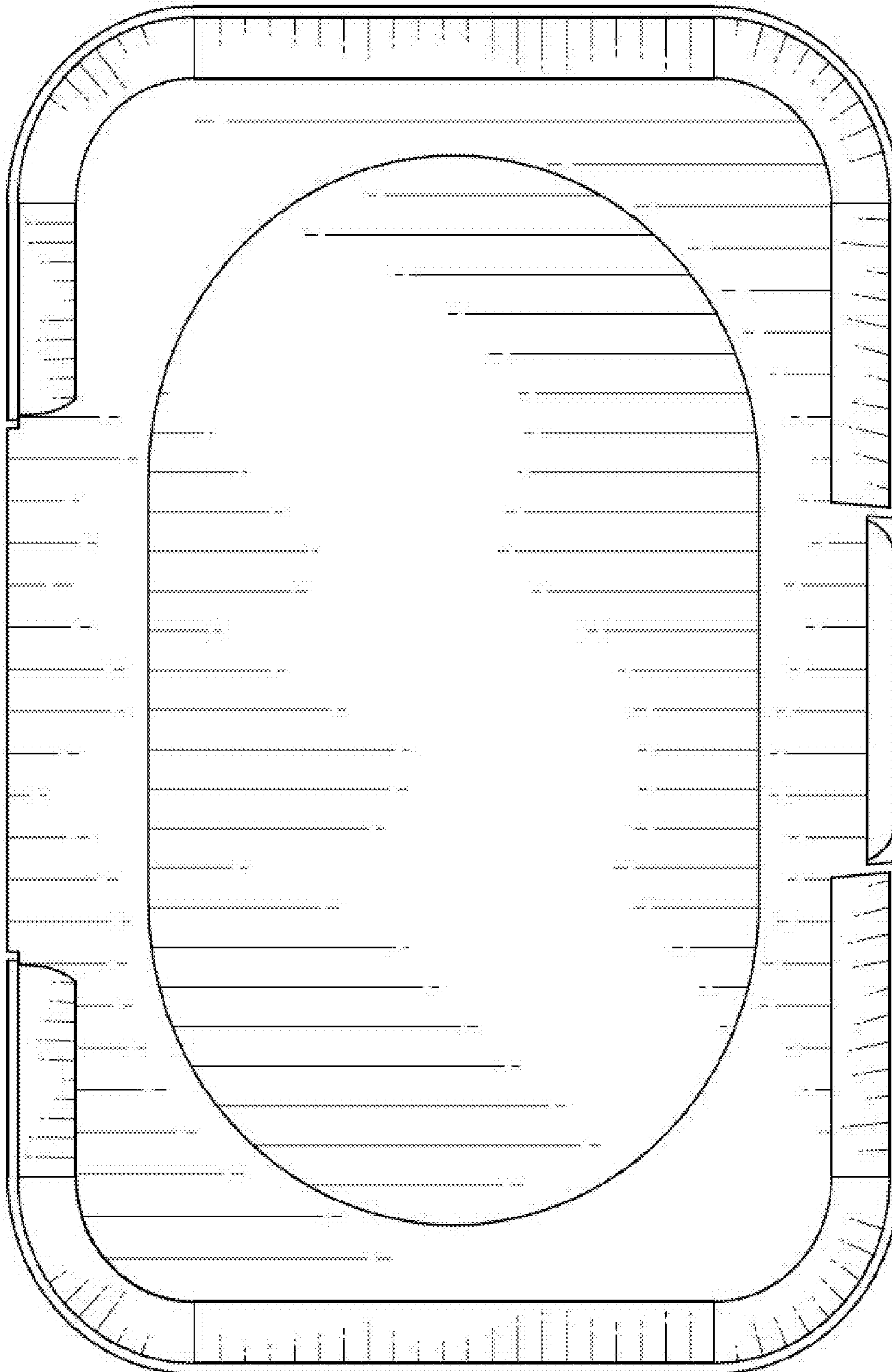
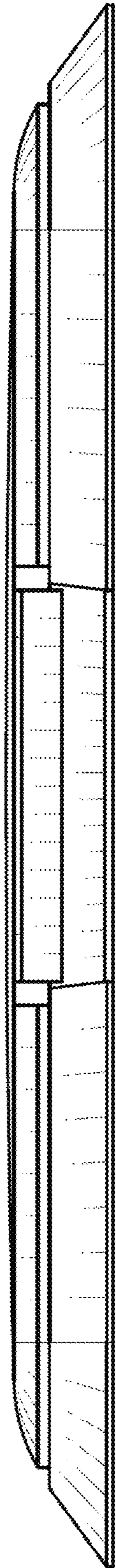


FIG. 1.20



**FIG. 1.21**

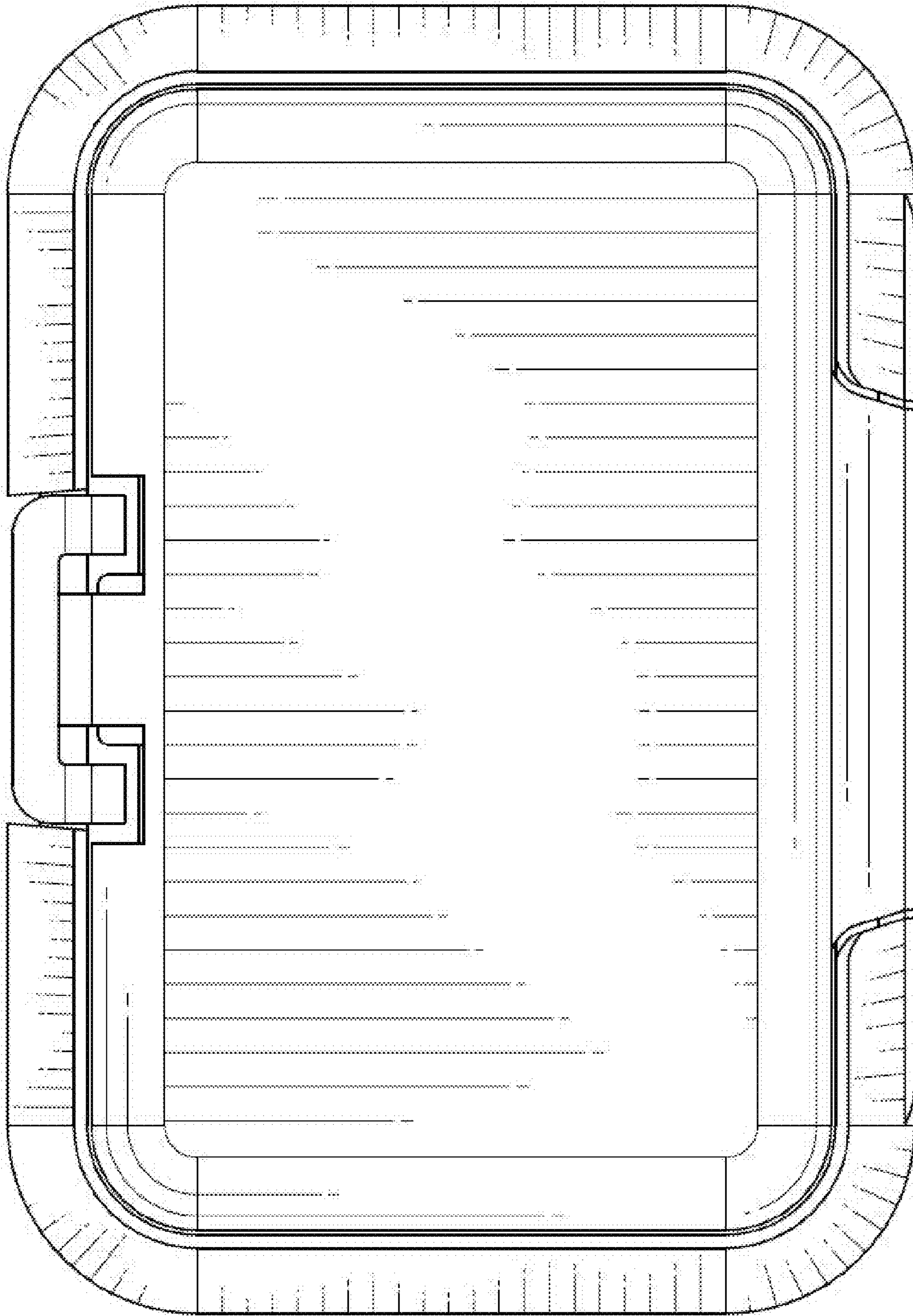


FIG. 1.22



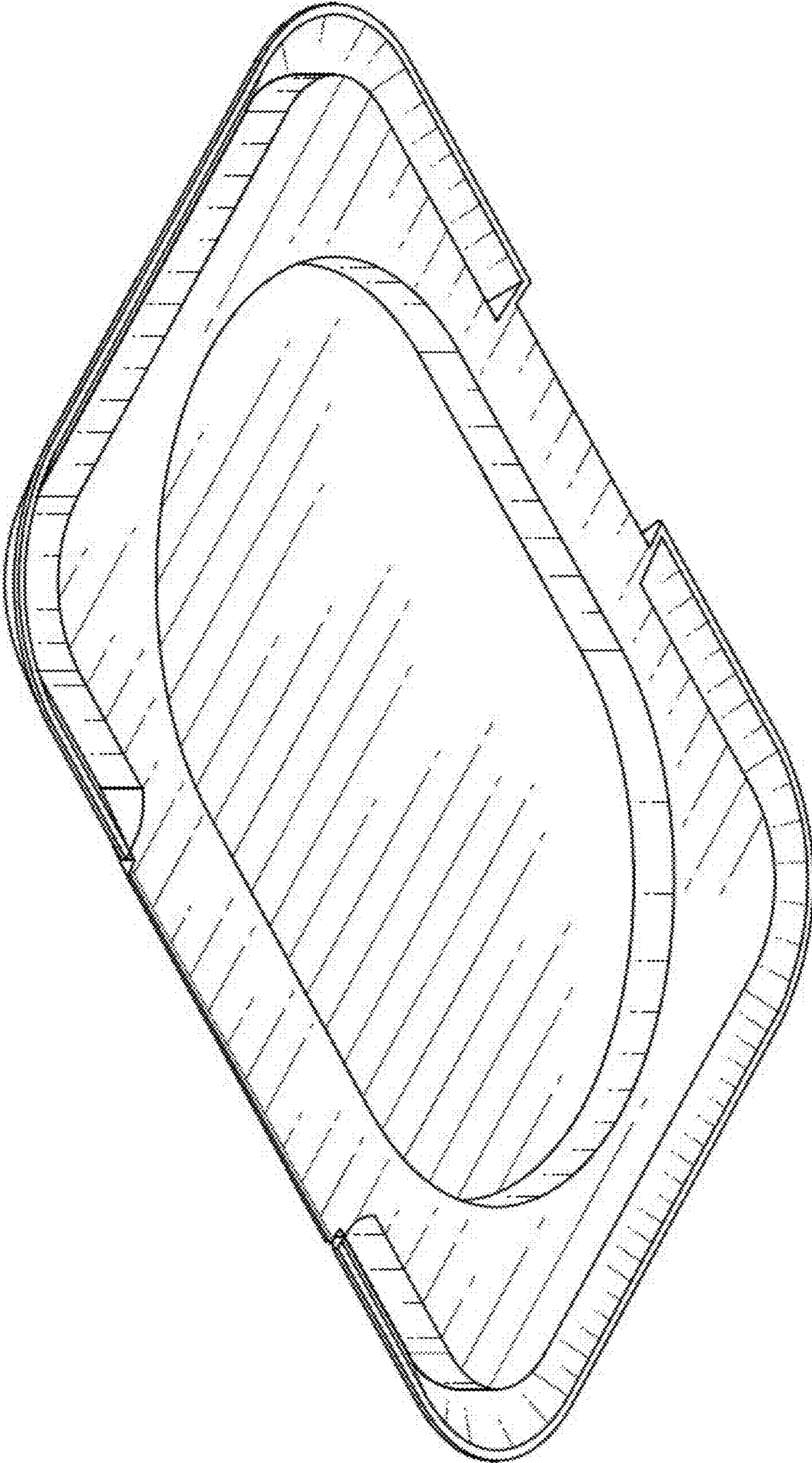


FIG. 1.23

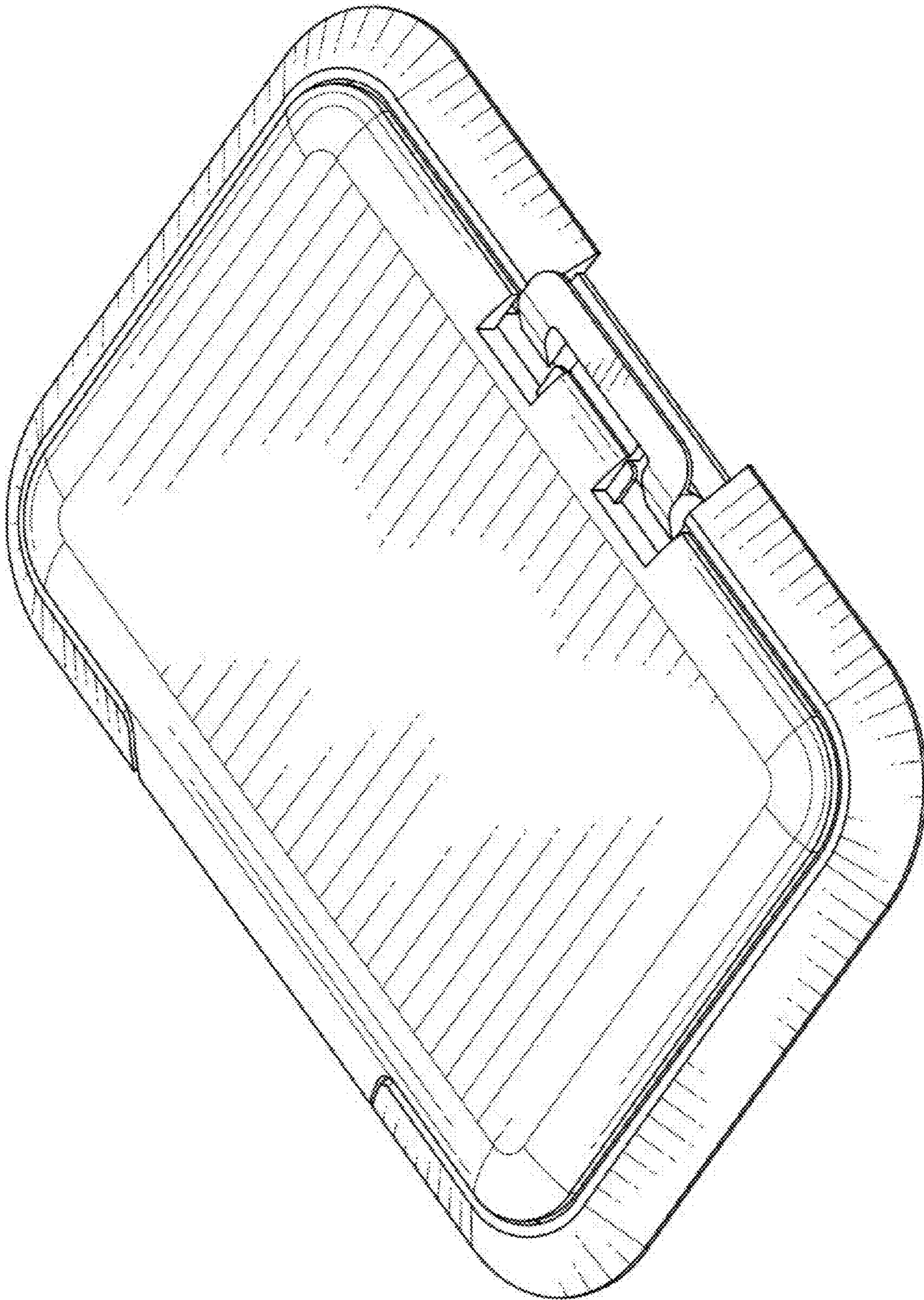
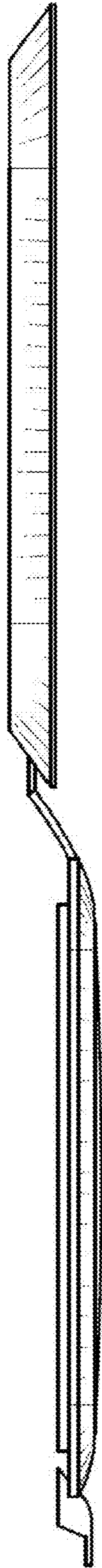


FIG. 1.24





**FIG. 1.25**

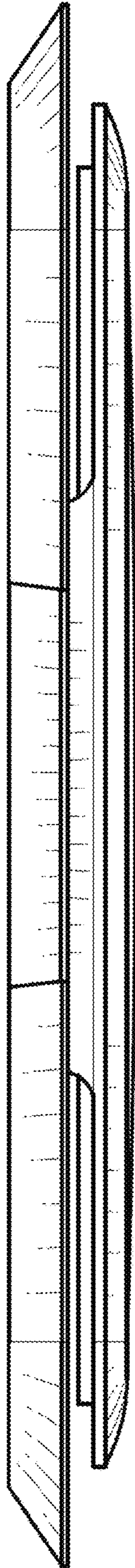
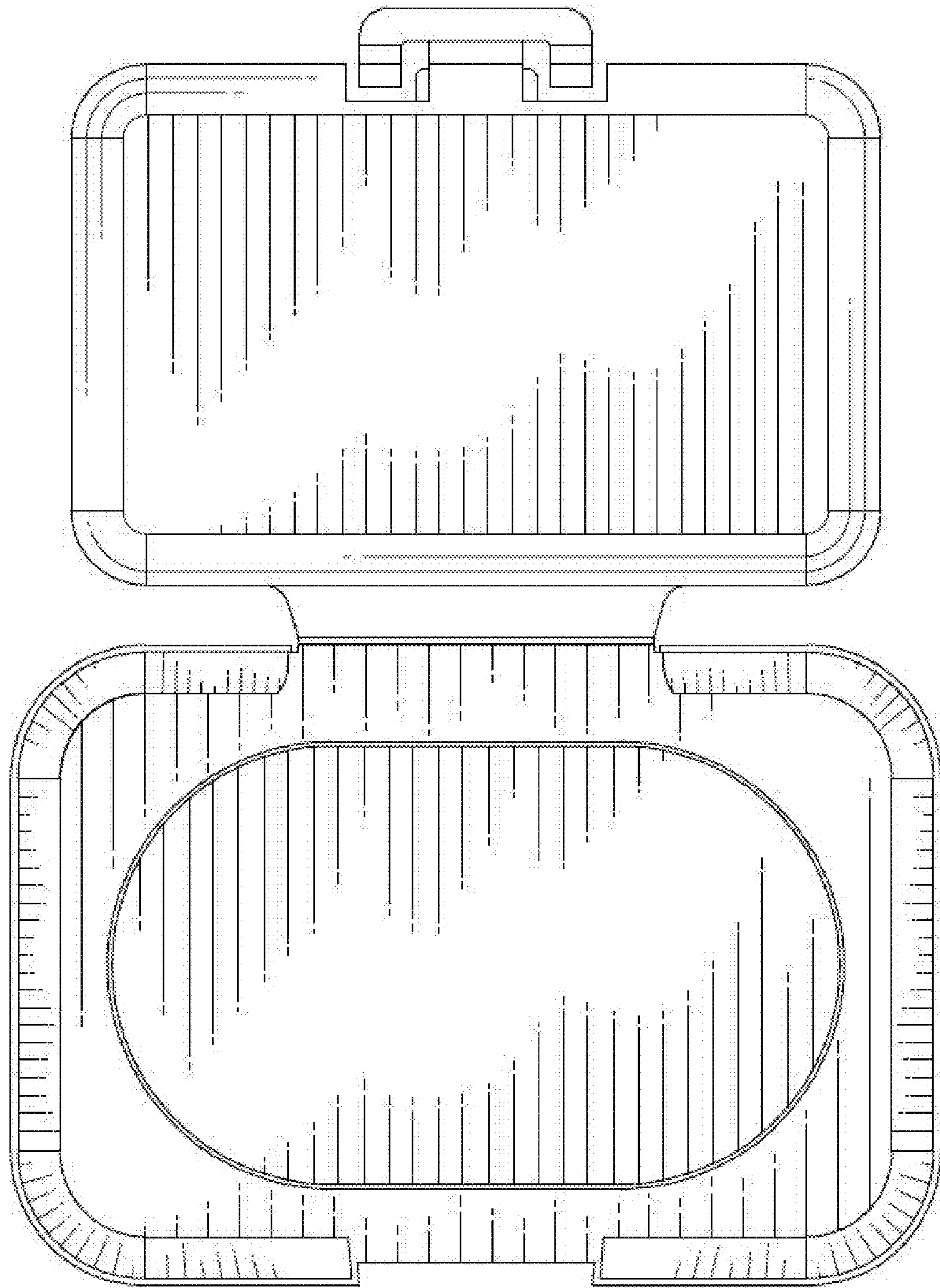


FIG. 1.26





**FIG. 1.27**

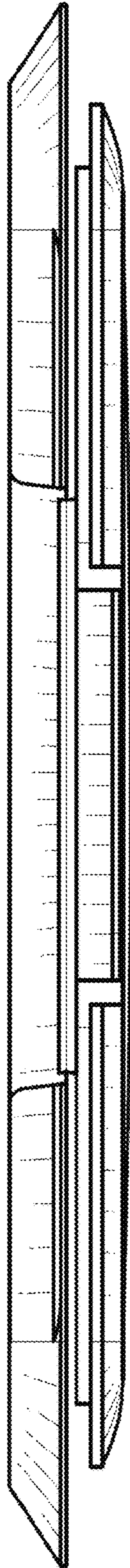


FIG. 1.28

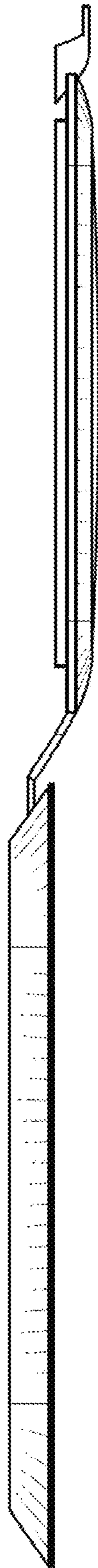
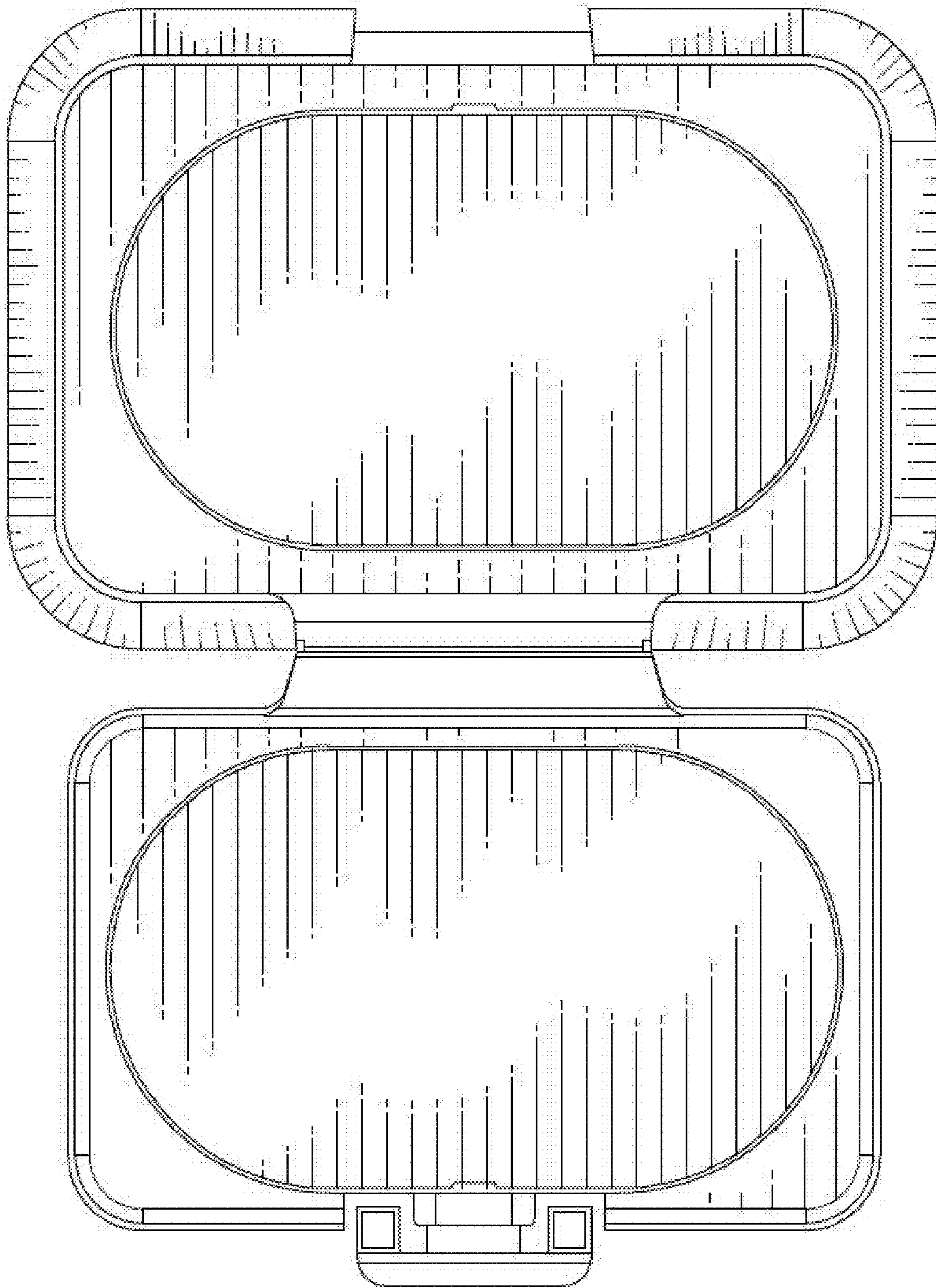


FIG. 1.29



**FIG. 1.30**



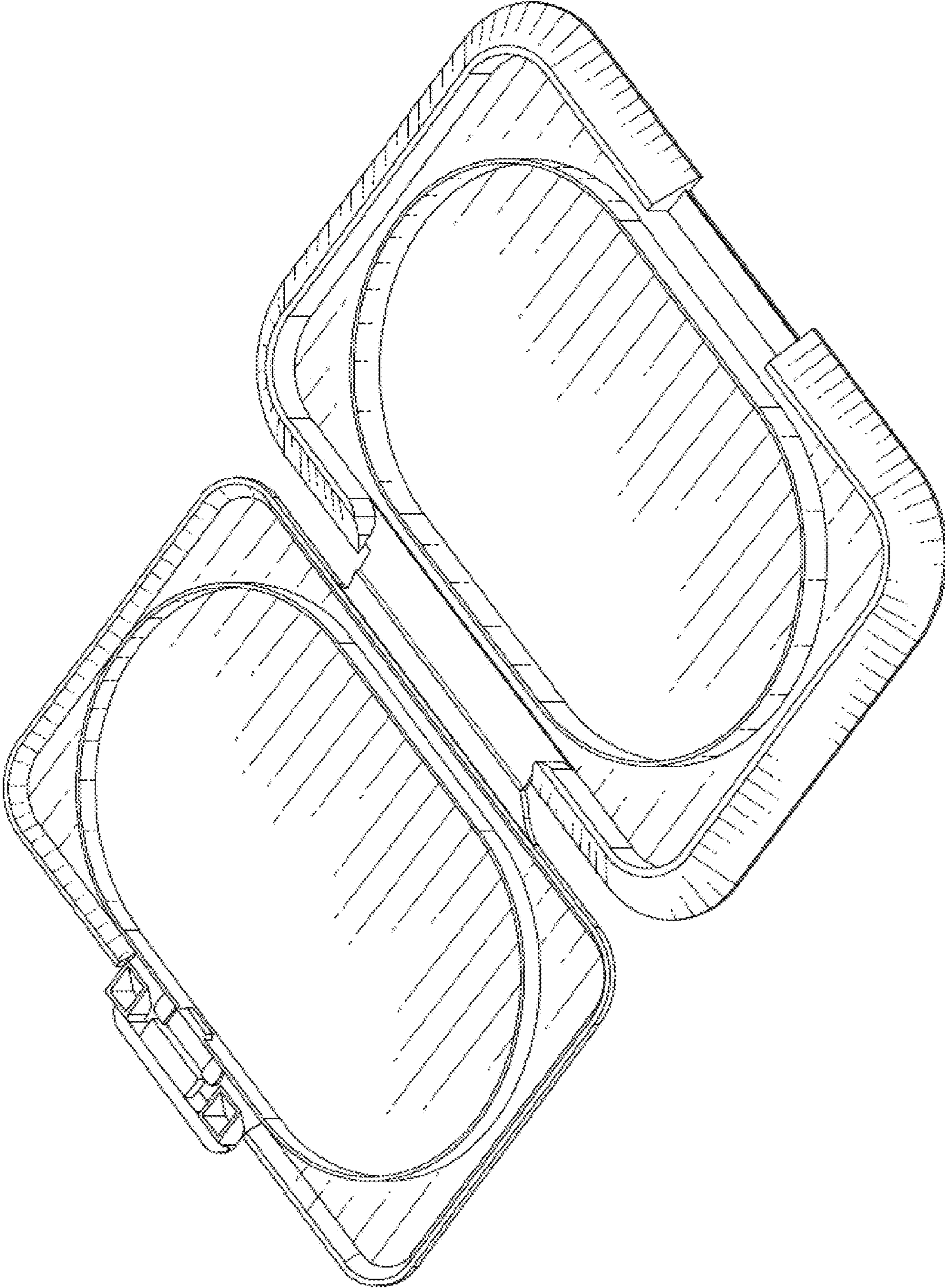


FIG. 1.31

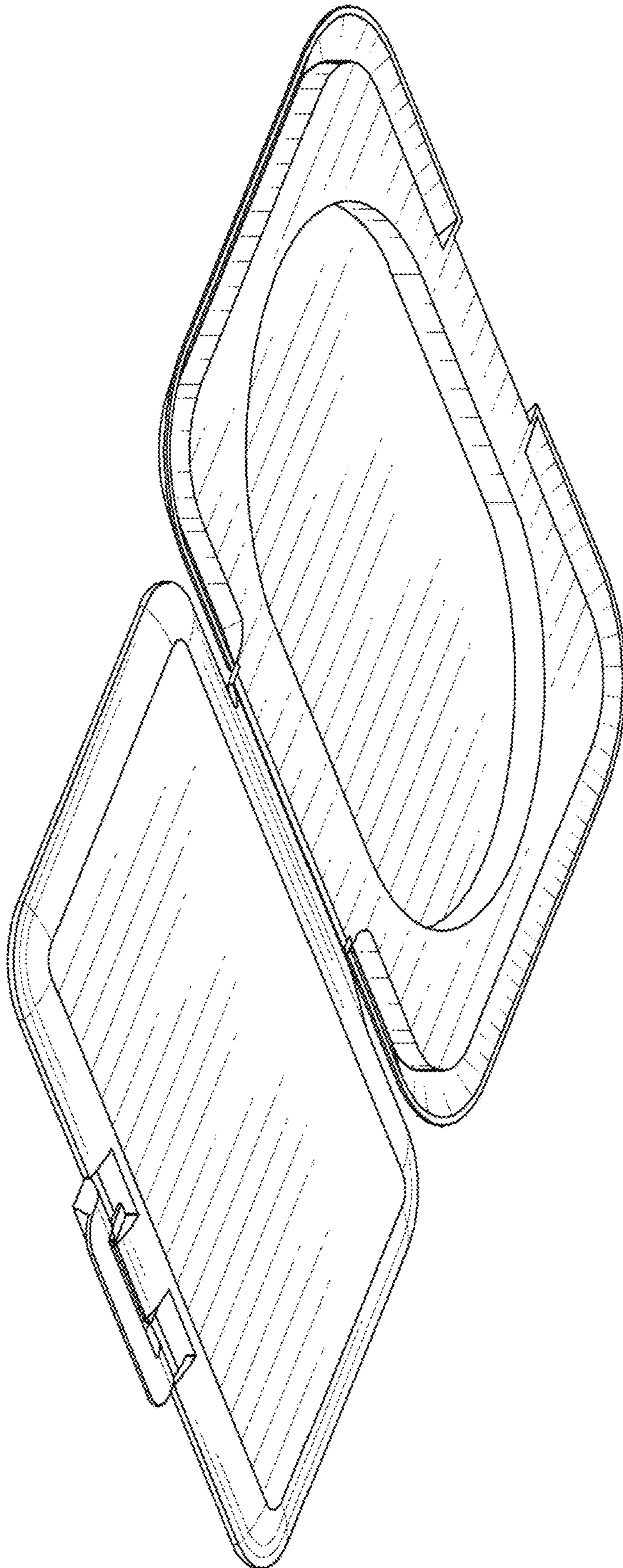


FIG. 1.32