



US00D937081S

(12) **United States Design Patent**  
**Yamane**

(10) **Patent No.:** **US D937,081 S**

(45) **Date of Patent:** **\*\* Nov. 30, 2021**

(54) **PACKAGING CONTAINER**

(71) Applicant: **ASAHI KASEI KABUSHIKI KAISHA**, Tokyo (JP)

(72) Inventor: **Michiyo Yamane**, Tokyo (JP)

(73) Assignee: **ASAHI KASEI KABUSHIKI KAISHA**, Tokyo (JP)

(\*\*) Term: **15 Years**

(21) Appl. No.: **35/507,767**

(22) Filed: **Apr. 25, 2019**

(80) **Hague Agreement Data**

Int. Filing Date: **Apr. 25, 2019**

Int. Reg. No.: **DM/203984**

Int. Reg. Date: **Apr. 25, 2019**

Int. Reg. Pub. Date: **Nov. 15, 2019**

(30) **Foreign Application Priority Data**

Oct. 25, 2018 (JP) ..... 2018-023435

Oct. 25, 2018 (JP) ..... 2018-023437

Oct. 25, 2018 (JP) ..... 2018-023439

(51) **LOC (13) Cl.** ..... **09-03**

(52) **U.S. Cl.**  
USPC ..... **D9/425**

(58) **Field of Classification Search**

USPC ..... D3/304; D7/609, 610, 601, 602, 703;  
D9/424, 429, 431, 414, 425, 430, 432

CPC . B65D 1/26; B65D 1/40; B65D 5/243; B65D  
81/3453; B65D 2581/34; B65D  
2581/3404; B65D 2581/3456

See application file for complete search history.

(56) **References Cited**

**U.S. PATENT DOCUMENTS**

D309,059 S \* 7/1990 Bledsoe ..... D12/425

D320,298 S \* 9/1991 Apps ..... D3/312

D448,567 S \* 10/2001 Buss ..... D3/304  
D492,844 S \* 7/2004 Ramirez ..... D3/304  
D642,905 S \* 8/2011 Samartgis ..... D9/424  
D642,906 S \* 8/2011 Samartgis ..... D9/424  
D642,907 S \* 8/2011 Samartgis ..... D9/424  
D643,710 S \* 8/2011 Samartgis ..... D9/424  
D643,711 S \* 8/2011 Samartgis ..... D9/424

(Continued)

**OTHER PUBLICATIONS**

GI Packaging & Equipment Co., Inc. Stacking Pallet Containers. No date specified. <https://www.gipackagingsupplies.com/products/stacking-pallet-containers/hkc-60/> (Year: 0).\*

(Continued)

*Primary Examiner* — Darcey E Gottschalk

(74) *Attorney, Agent, or Firm* — Greenblum & Bernstein, P.L.C.

(57) **CLAIM**

The ornamental design for a packaging container, as shown and described.

**DESCRIPTION**

Fig. 1.1 is a Perspective view showing the Front, Bottom, and Right sides of the packaging container showing the new design;

Fig. 1.2 is a Perspective view showing the Front, Bottom, and Left sides thereof;

Fig. 1.3 is a Front view thereof;

Fig. 1.4 is a Back view thereof;

Fig. 1.5 is a Top view thereof;

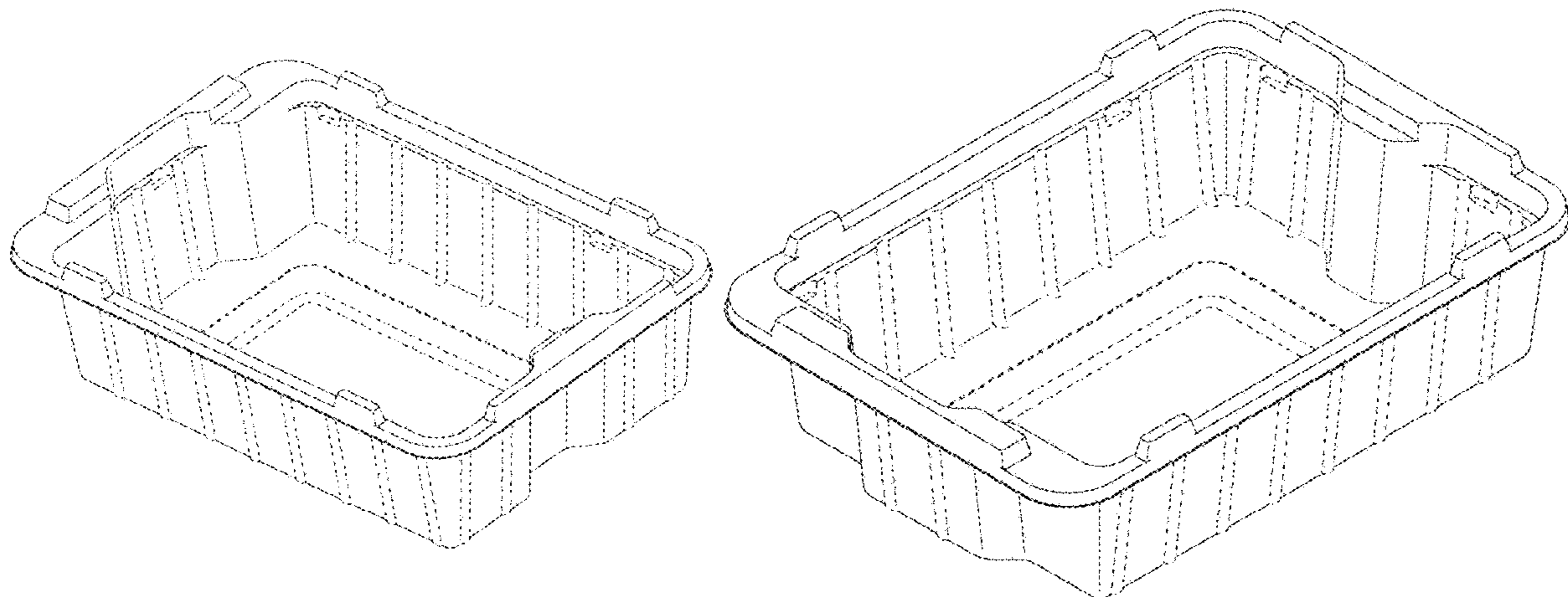
Fig. 1.6 is a Bottom view thereof;

Fig. 1.7 is a Right view thereof; and

Fig. 1.8 is a Left view thereof.

The broken lines in the drawings illustrate portions of the packaging container that do not form part of the claimed design. The dotted-dashed lines in the drawings indicate the boundary between the claimed area and the unclaimed area of the packaging container.

**1 Claim, 8 Drawing Sheets**



(56)

**References Cited**

U.S. PATENT DOCUMENTS

D682,673	S	*	5/2013	Miller	.....	D9/424
D683,962	S	*	6/2013	Brunner	.....	D3/304
D684,733	S	*	6/2013	Altoon	.....	D30/161
D741,706	S	*	10/2015	Astorga	.....	D9/425
D807,169	S	*	1/2018	Pickard	.....	D9/425
D809,380	S	*	2/2018	Pickard	.....	D9/425
D837,521	S	*	1/2019	Connors	.....	D3/304
D852,508	S	*	7/2019	Connors	.....	D3/304
D886,589	S	*	6/2020	Takemura	.....	D9/425

OTHER PUBLICATIONS

Uline.Stack and Nest Container—23×16×15", Red. No date specified.  
[https://www.uline.com/Product/Detail/S-19694R/Totes-Plastic-Storage-Boxes/Stack-and-Nest-Container-23-x-16-x-15-Red?pricode=WB0278&gadtype=pla&id=S-19694R&gclid=EAlalQobChMlscvBnM2q6wIWEI\\_ICh08DA4pEakYDCABEglfhfD\\_BwE&gclsrc=aw.ds\(Year: 0\).](https://www.uline.com/Product/Detail/S-19694R/Totes-Plastic-Storage-Boxes/Stack-and-Nest-Container-23-x-16-x-15-Red?pricode=WB0278&gadtype=pla&id=S-19694R&gclid=EAlalQobChMlscvBnM2q6wIWEI_ICh08DA4pEakYDCABEglfhfD_BwE&gclsrc=aw.ds(Year: 0).)\*

\* cited by examiner

Fig. 1.1

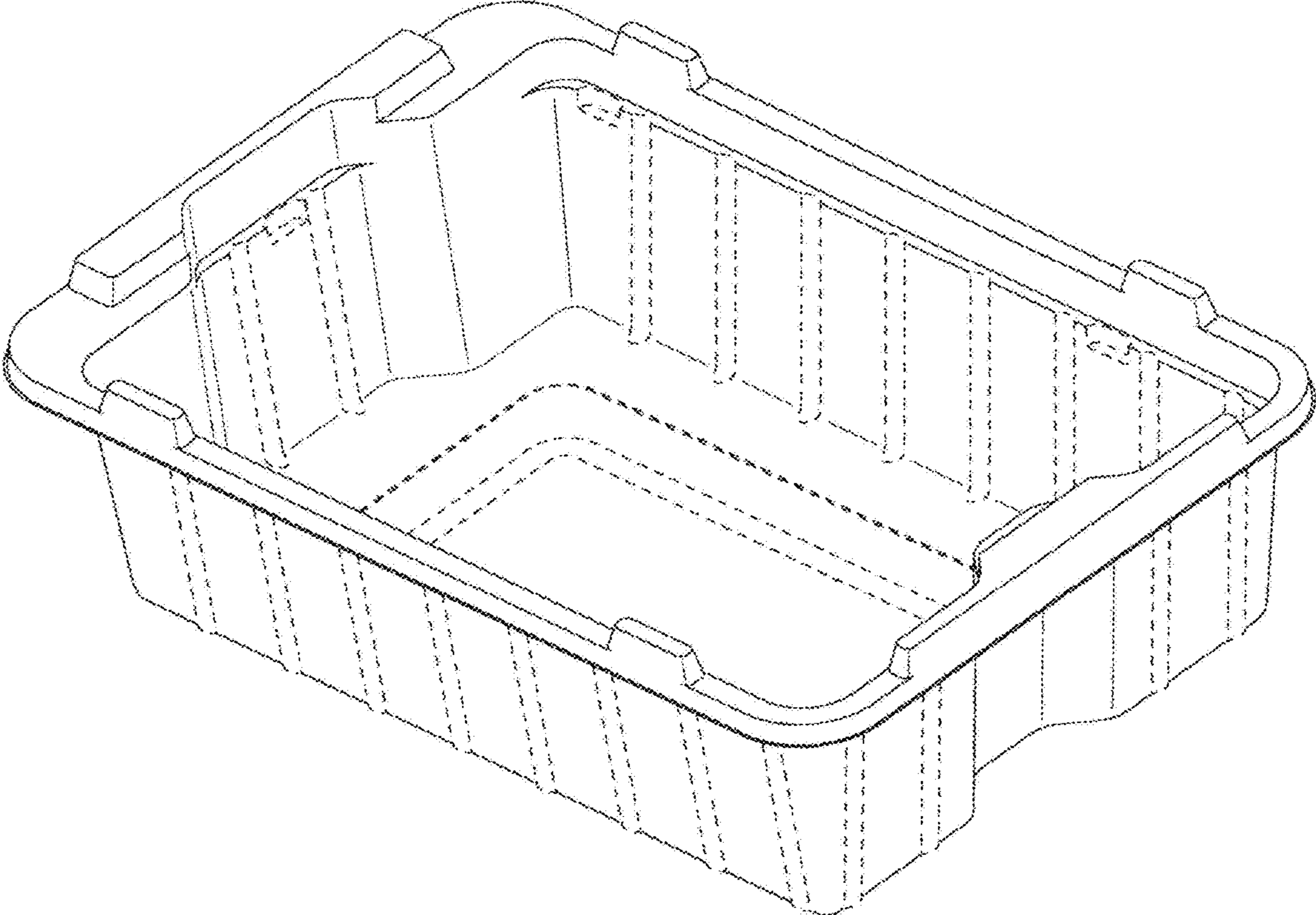
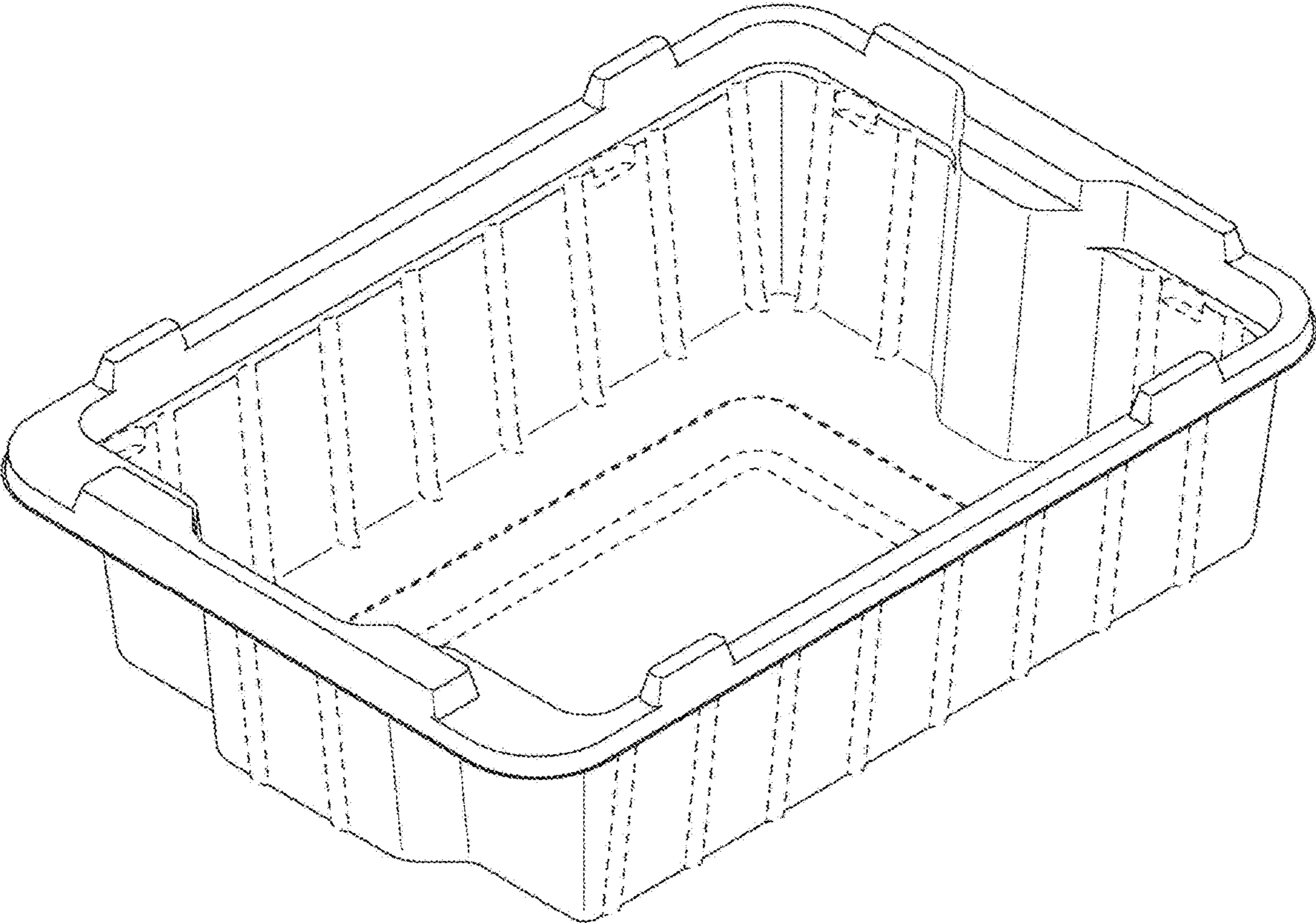
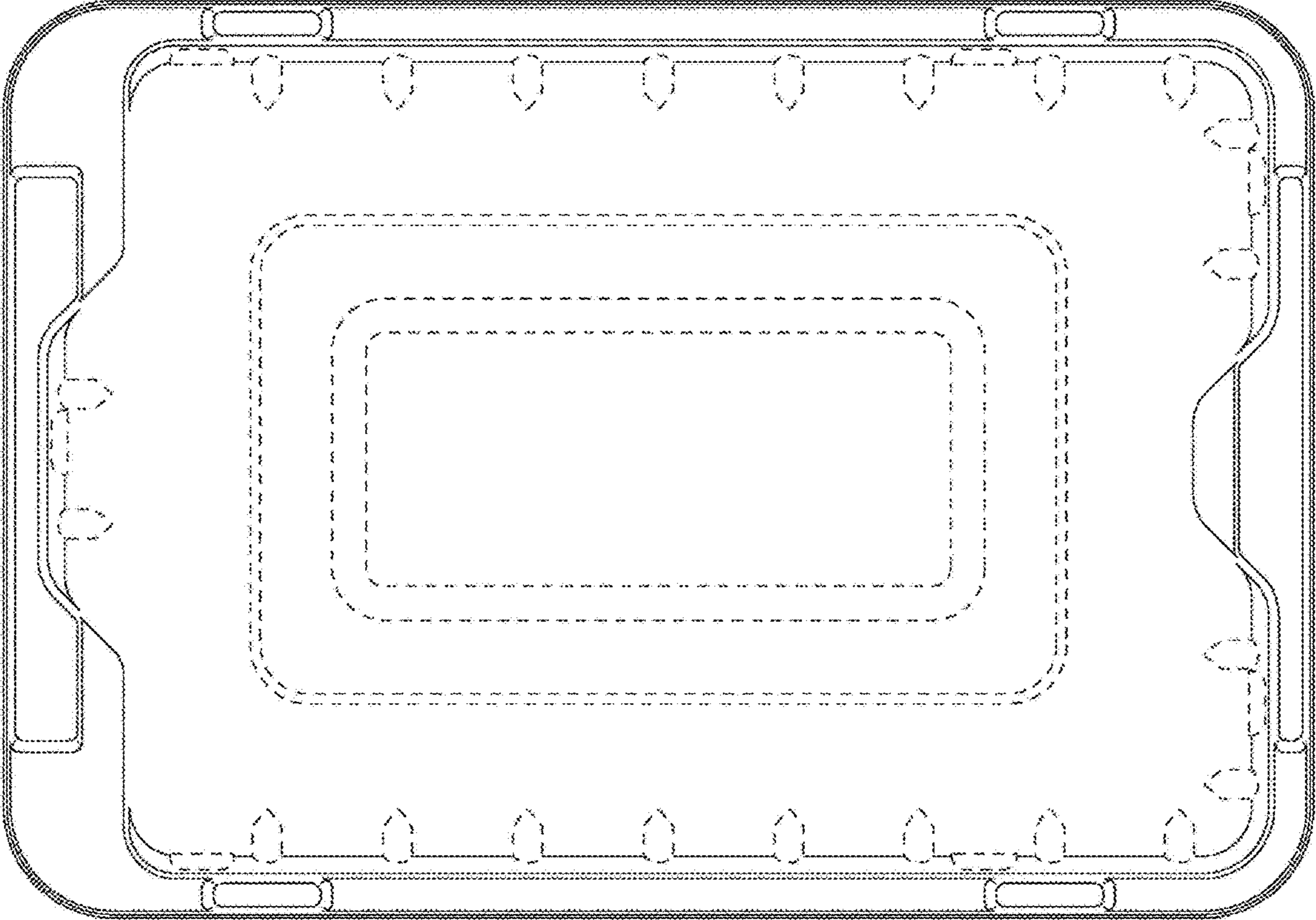


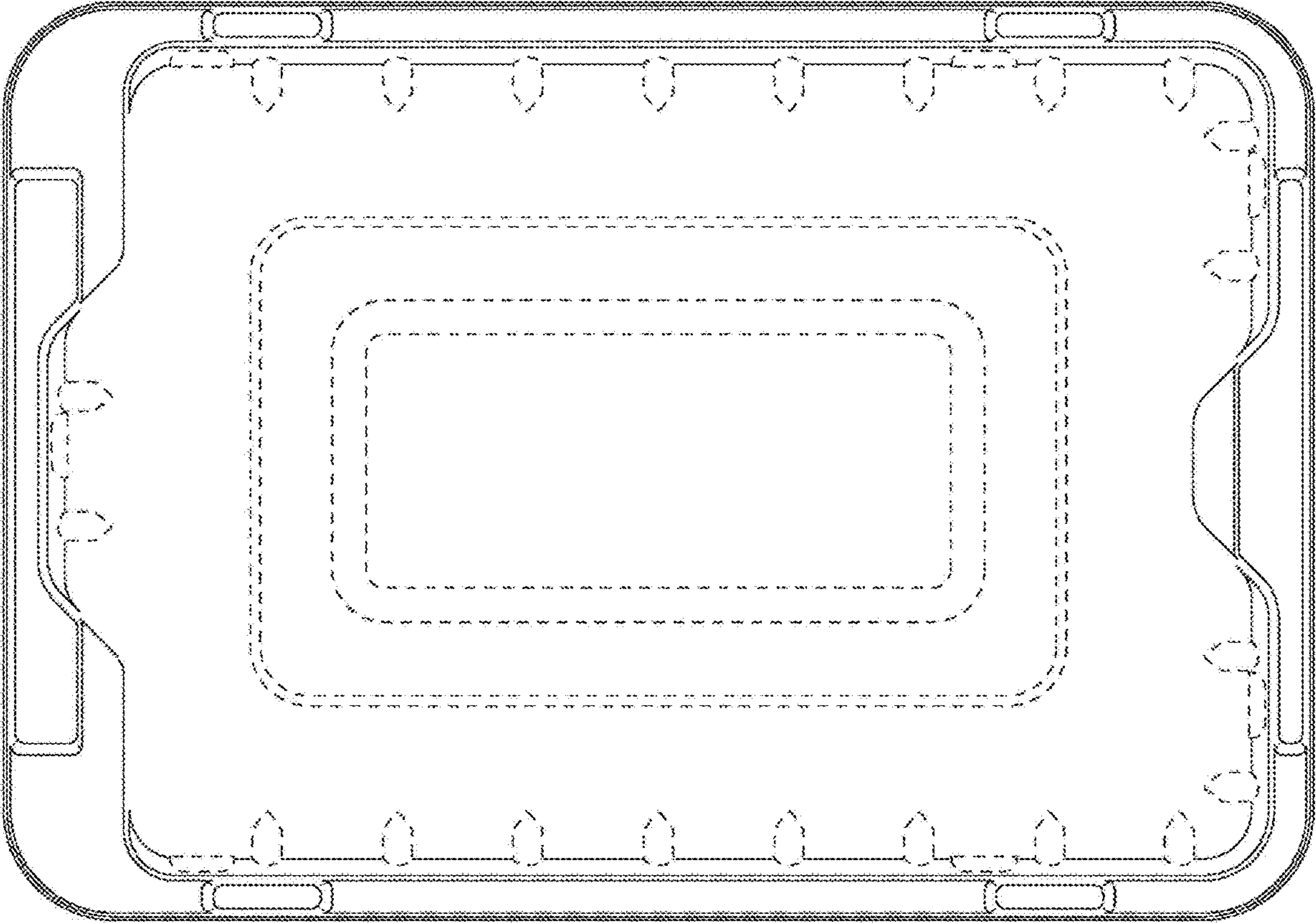
Fig. 1.2



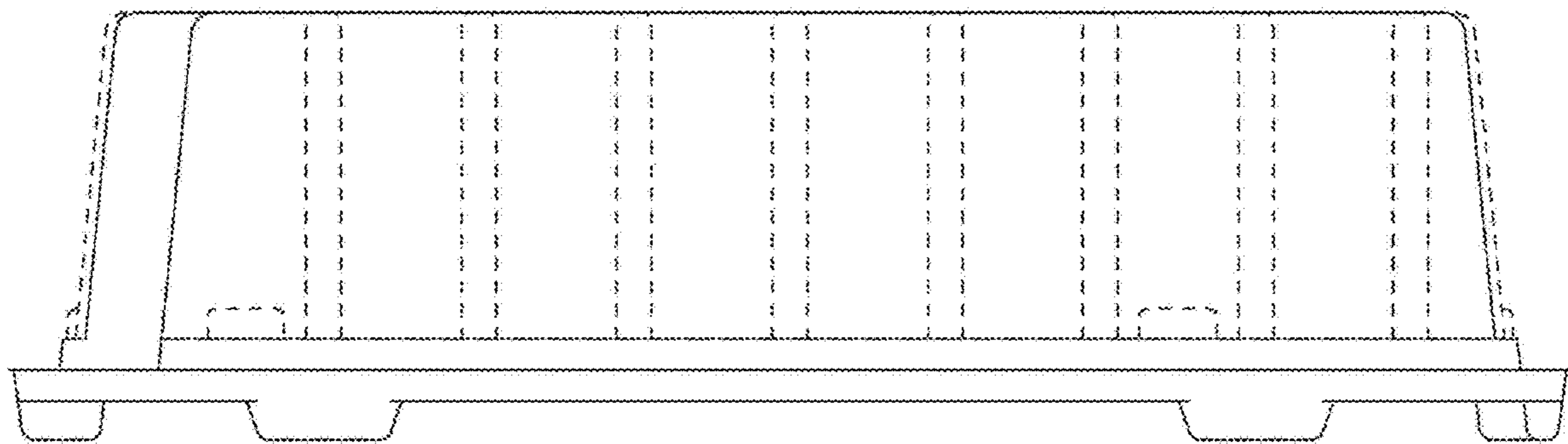
**Fig. 1.3**



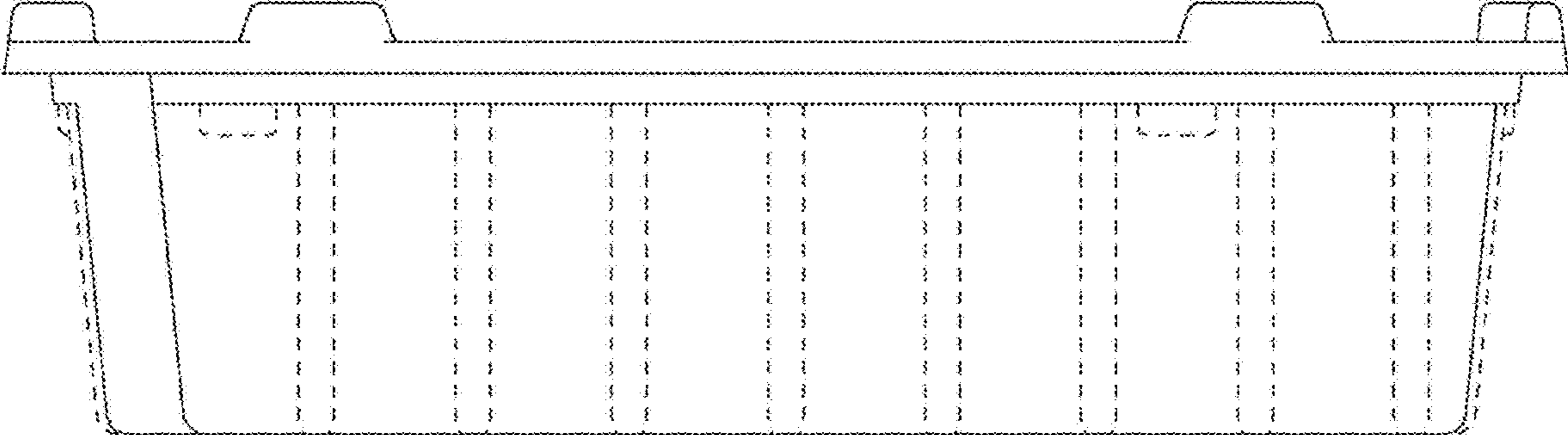
**Fig. 1.4**



**Fig. 1.5**

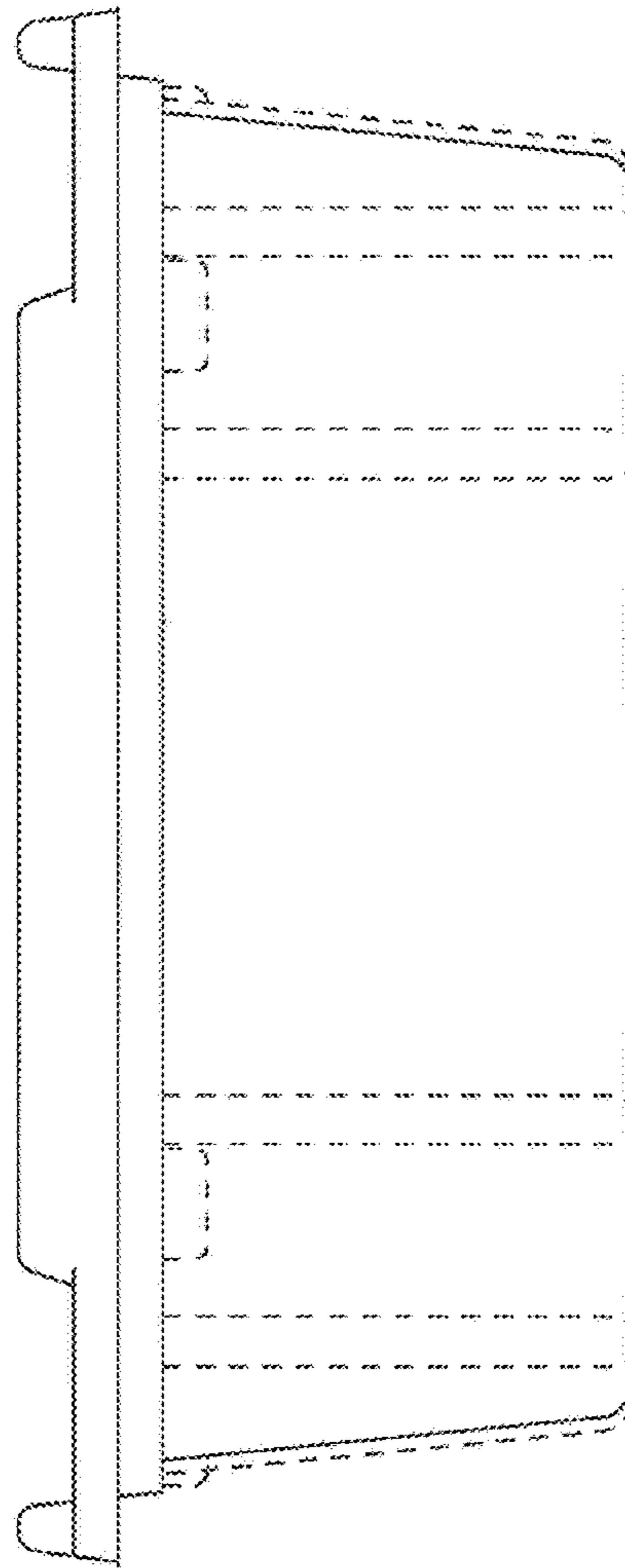


**Fig. 1.6**





**Fig. 1.7**



**Fig. 1.8**

