



US00D937080S

(12) **United States Design Patent**
DeMaio

(10) **Patent No.:** **US D937,080 S**

(45) **Date of Patent:** **** Nov. 30, 2021**

(54) **PRODUCT PACKAGE**

(71) Applicant: **Robert Charles DeMaio**, Sparks, NV
(US)

(72) Inventor: **Robert Charles DeMaio**, Sparks, NV
(US)

(**) Term: **15 Years**

(21) Appl. No.: **29/711,342**

(22) Filed: **Oct. 30, 2019**

(51) **LOC (13) Cl.** **09-03**

(52) **U.S. Cl.**
USPC **D9/421; D9/420**

(58) **Field of Classification Search**
USPC D9/421, 420, 414, 432, 423, 418, 737,
D9/756; D6/634, 407; D3/20; D7/629
CPC ... A45D 40/24; G11B 23/0233; G06F 1/1654;
B65D 77/006
See application file for complete search history.

(56) **References Cited**

U.S. PATENT DOCUMENTS

D324,337 S *	3/1992	Brady	D3/20
D330,490 S *	10/1992	Turner	D7/629
D422,120 S *	3/2000	Orsomando	D28/83
D472,420 S *	4/2003	Marsilio	D6/407
6,685,022 B2 *	2/2004	Sullivan	G11B 23/0233 156/252
6,959,809 B2 *	11/2005	Begin	B65D 75/32 206/232
D573,459 S *	7/2008	Snider	D3/294
D607,717 S *	1/2010	Hodges	D9/423
D716,649 S *	11/2014	McAdam	D9/418
D762,487 S *	8/2016	Safiullin	D9/756
D805,398 S *	12/2017	Torchin	D9/737
D832,696 S *	11/2018	Balanevsky	D9/423
D865,515 S *	11/2019	McKenzie	D9/432
D868,577 S *	12/2019	Watson	D9/420

10,817,020 B1 *	10/2020	DeMaio	G06F 1/1654
D928,604 S *	8/2021	Larson	D9/420
2005/0173286 A1 *	8/2005	Hansen	B65D 77/006 206/472
2010/0089793 A1 *	4/2010	Plassmeyer	A45D 40/24 206/581

* cited by examiner

Primary Examiner — Rhea Shields

(74) *Attorney, Agent, or Firm* — Tatonetti IP

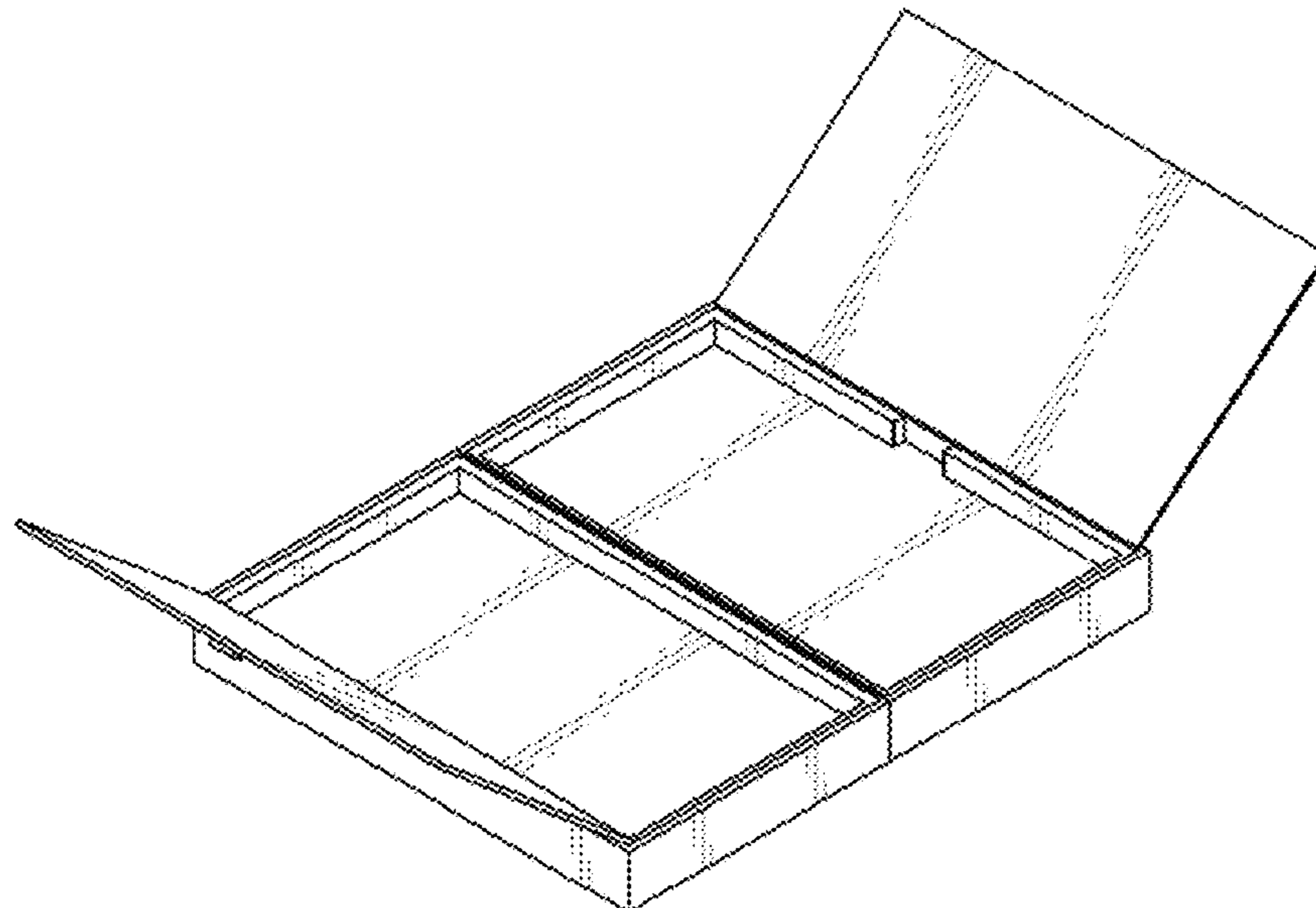
(57) **CLAIM**

The ornamental design for a product package, as shown.

DESCRIPTION

FIG. 1 is a perspective view of the product package in closed position according to a first embodiment;
 FIG. 2 is a front side view thereof;
 FIG. 3 is a rear side view thereof;
 FIG. 4 is a left side view thereof;
 FIG. 5 is a right side view thereof;
 FIG. 6 is a top side view thereof;
 FIG. 7 is a bottom side view thereof;
 FIG. 8 is a perspective view of the product package in a half-opened position according to a second embodiment;
 FIG. 9 is a front side view thereof;
 FIG. 10 is a rear side view thereof;
 FIG. 11 is a left side view thereof;
 FIG. 12 is a right side view thereof;
 FIG. 13 is a top side view thereof;
 FIG. 14 is a bottom side view thereof;
 FIG. 15 is a perspective view of the product package in a fully opened position according to a third embodiment;
 FIG. 16 is a front side view thereof;
 FIG. 17 is a rear side view thereof;
 FIG. 18 is a left side view thereof;
 FIG. 19 is a right side view thereof;
 FIG. 20 is a top side view thereof; and,
 FIG. 21 is a bottom side view thereof.

1 Claim, 21 Drawing Sheets



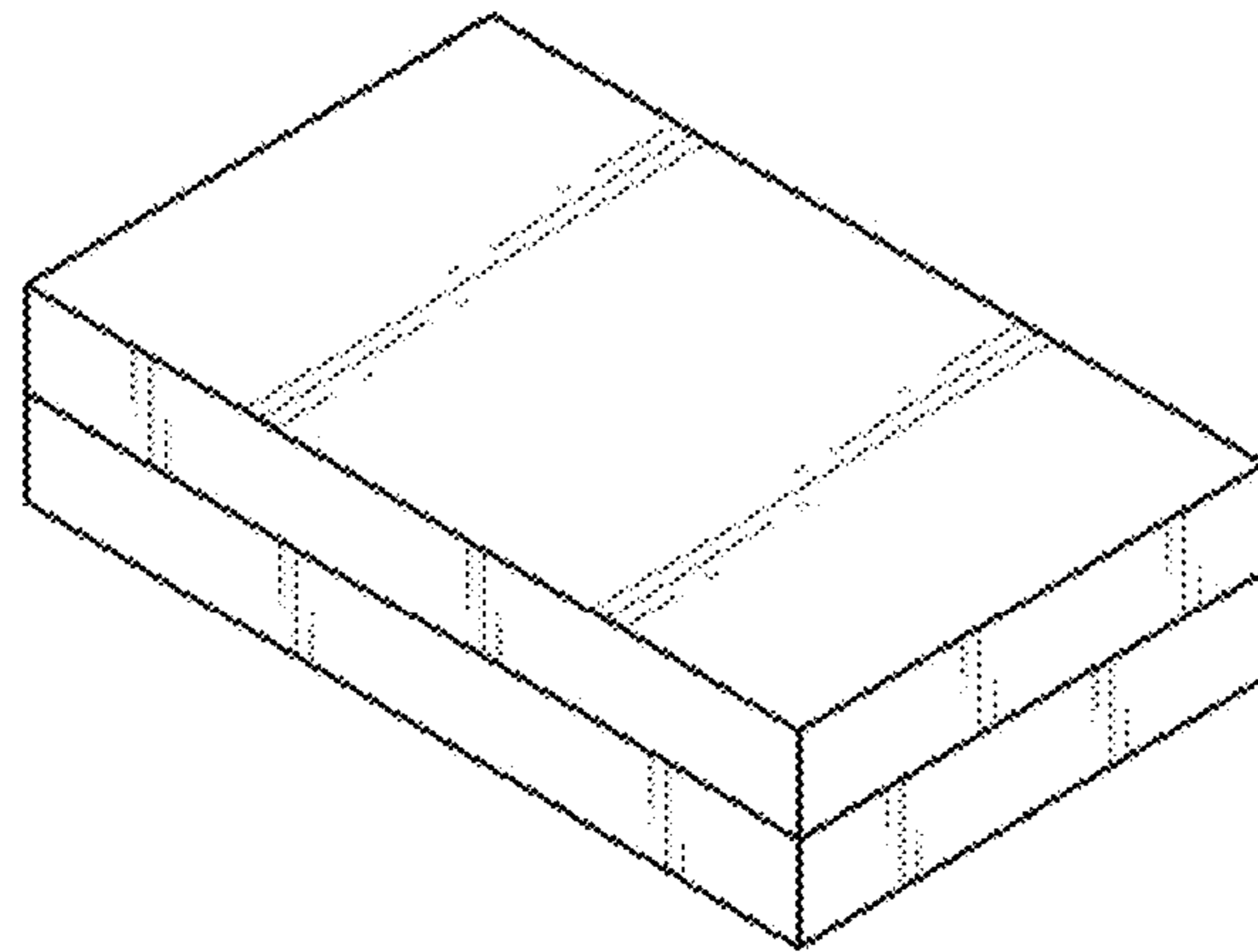


FIG. 1



FIG. 2

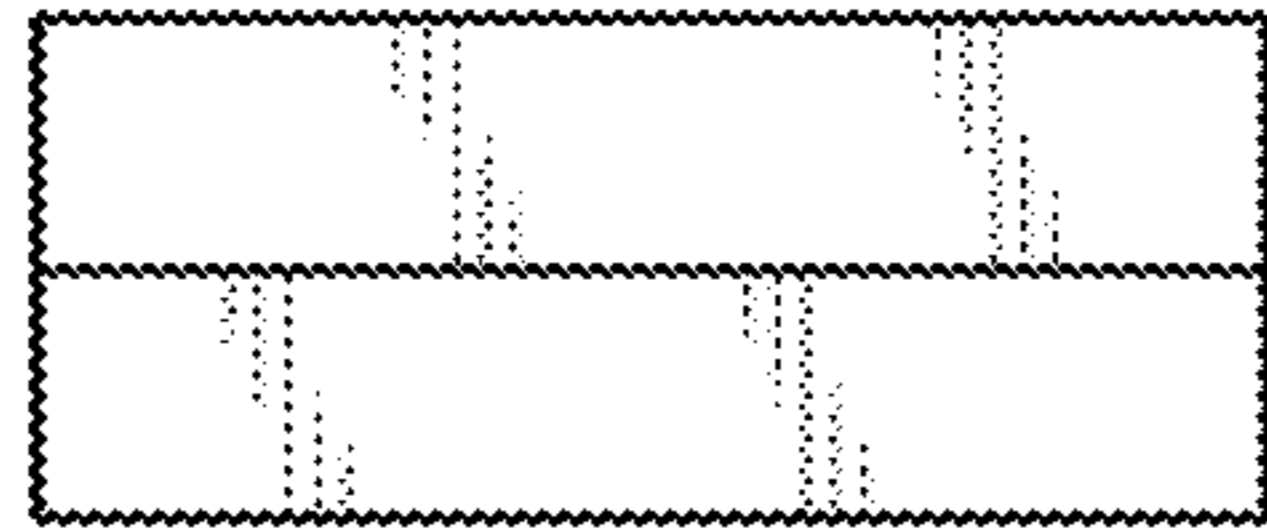


FIG. 3

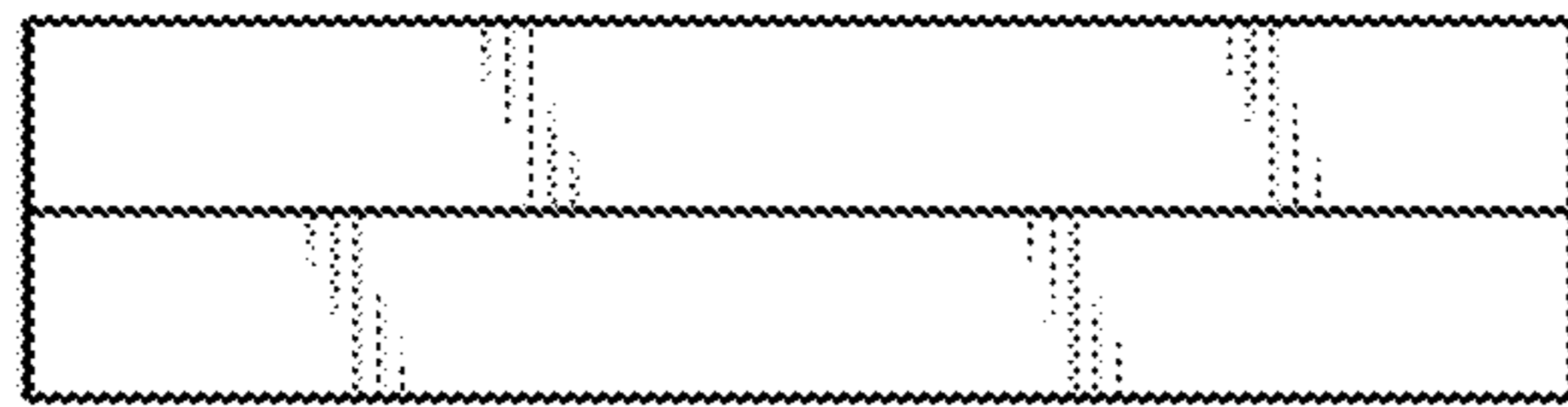


FIG. 4

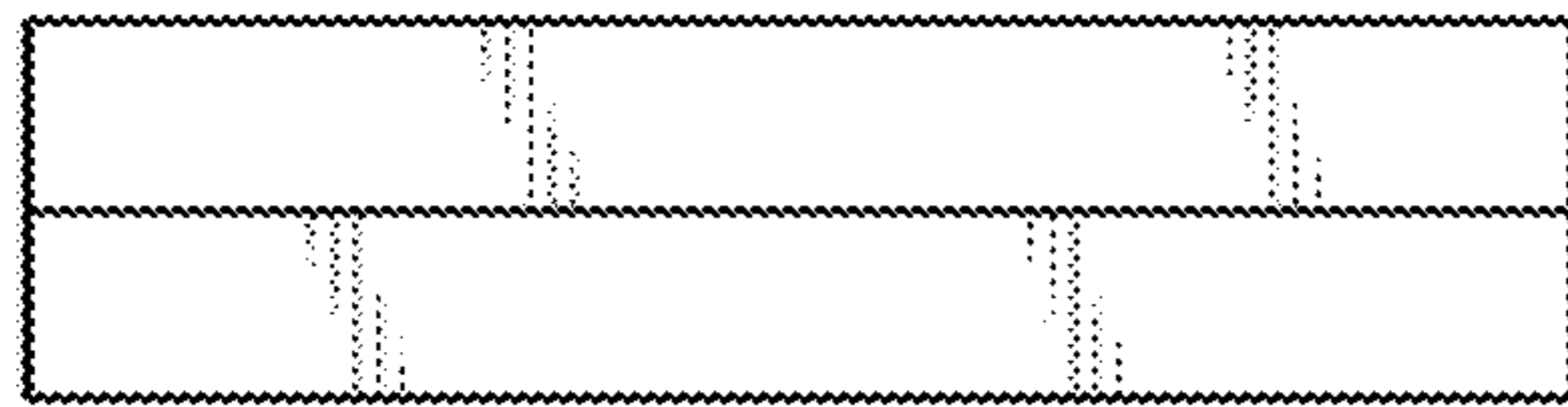


FIG. 5

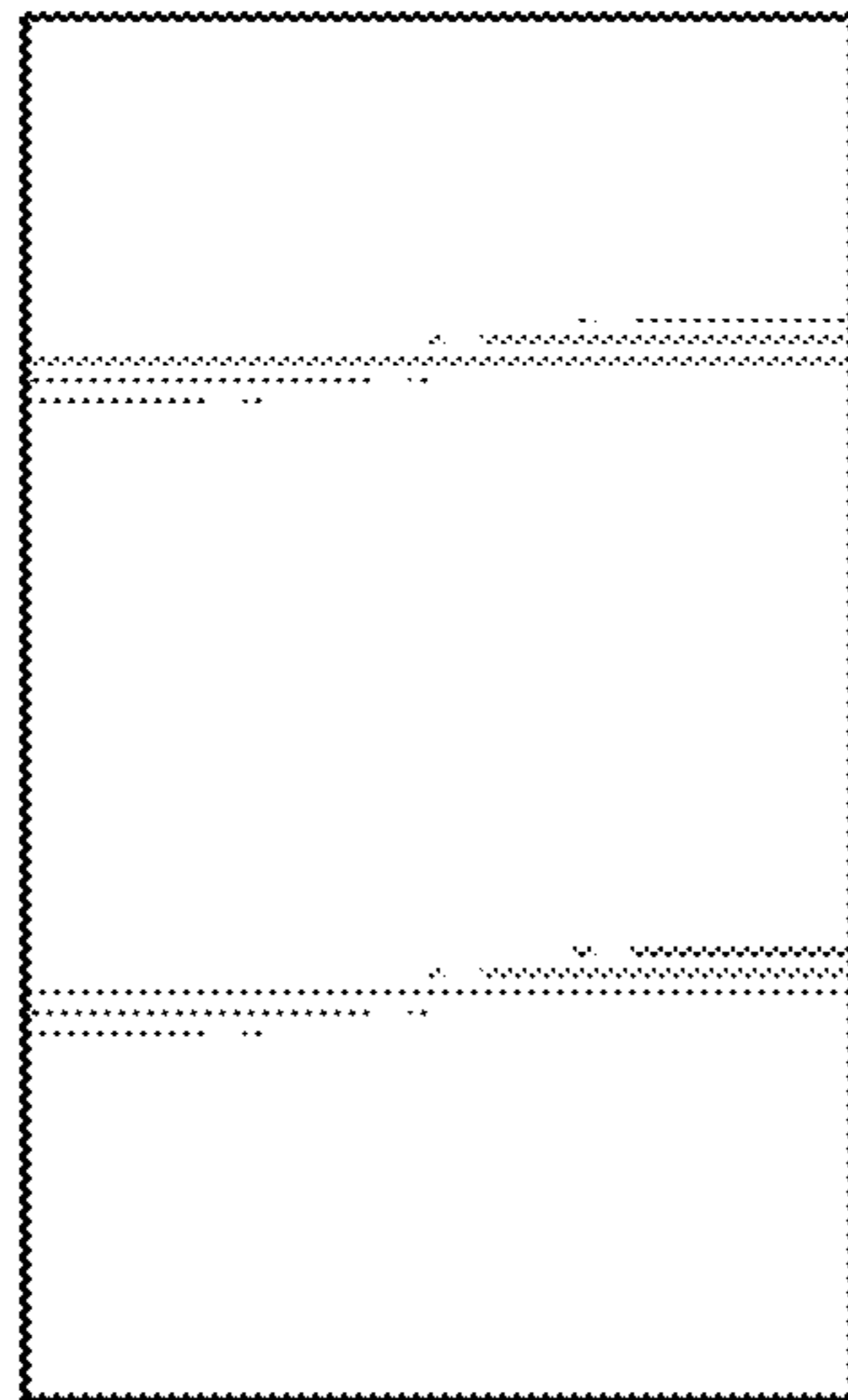


FIG. 6

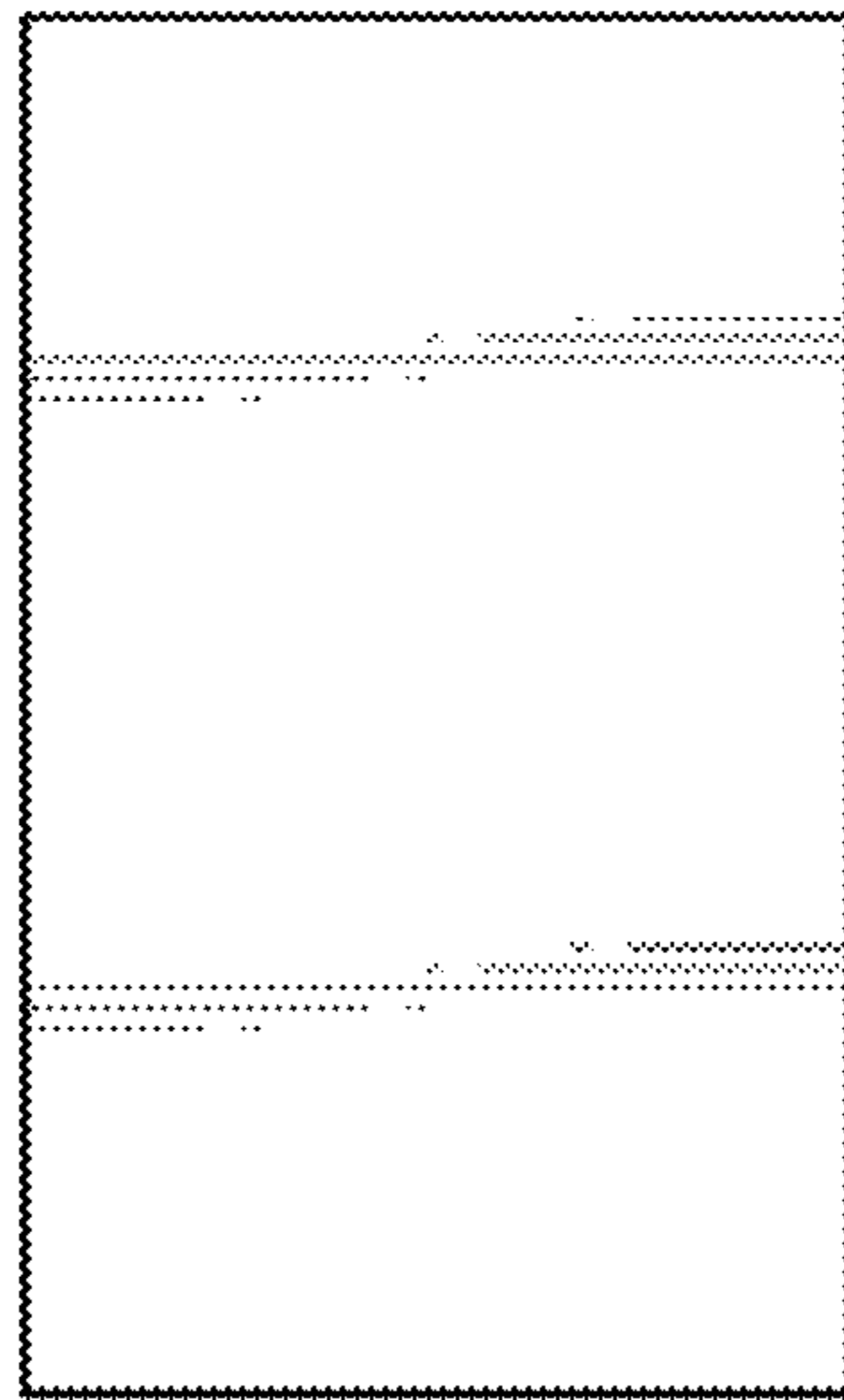


FIG. 7

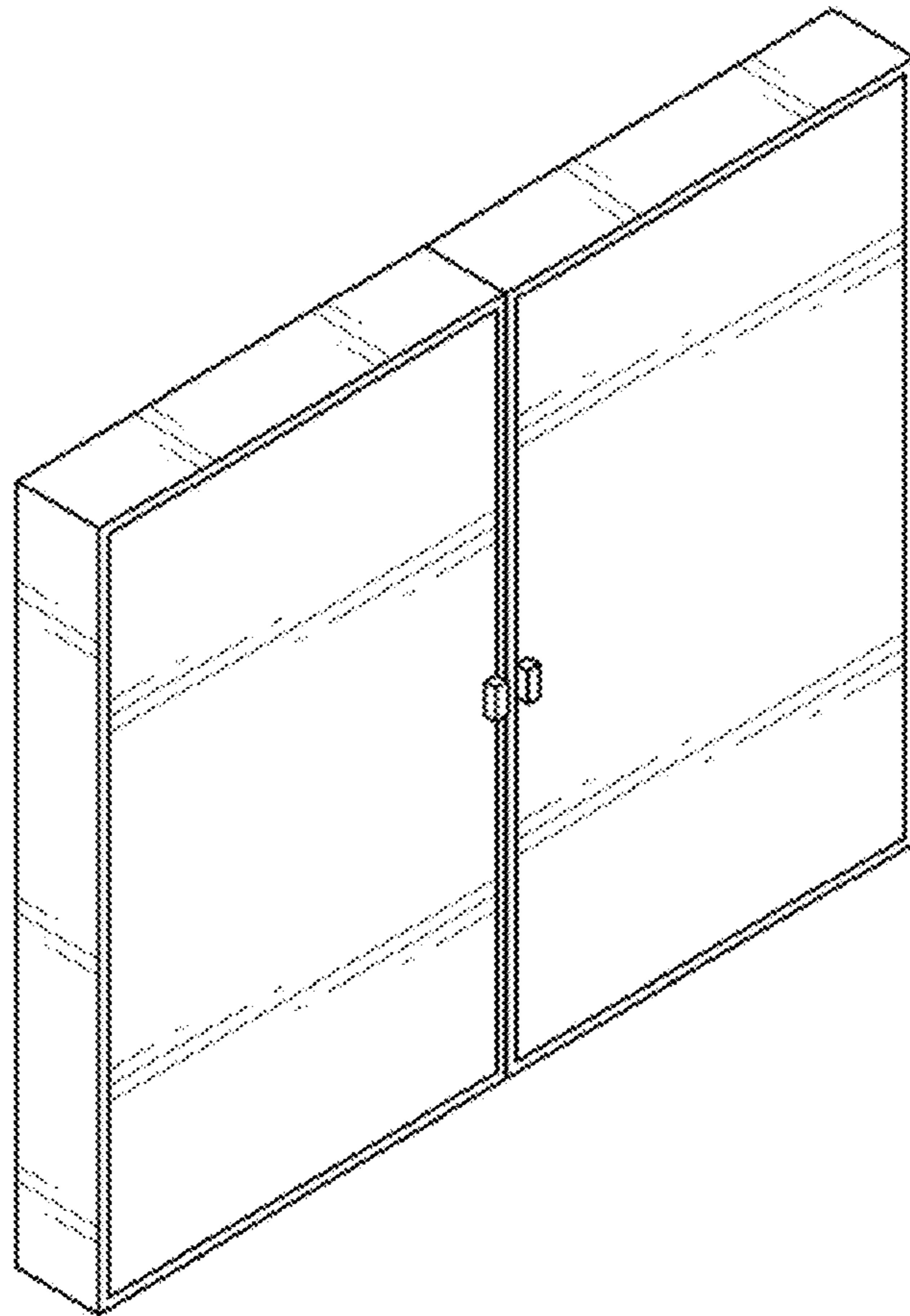


FIG. 8

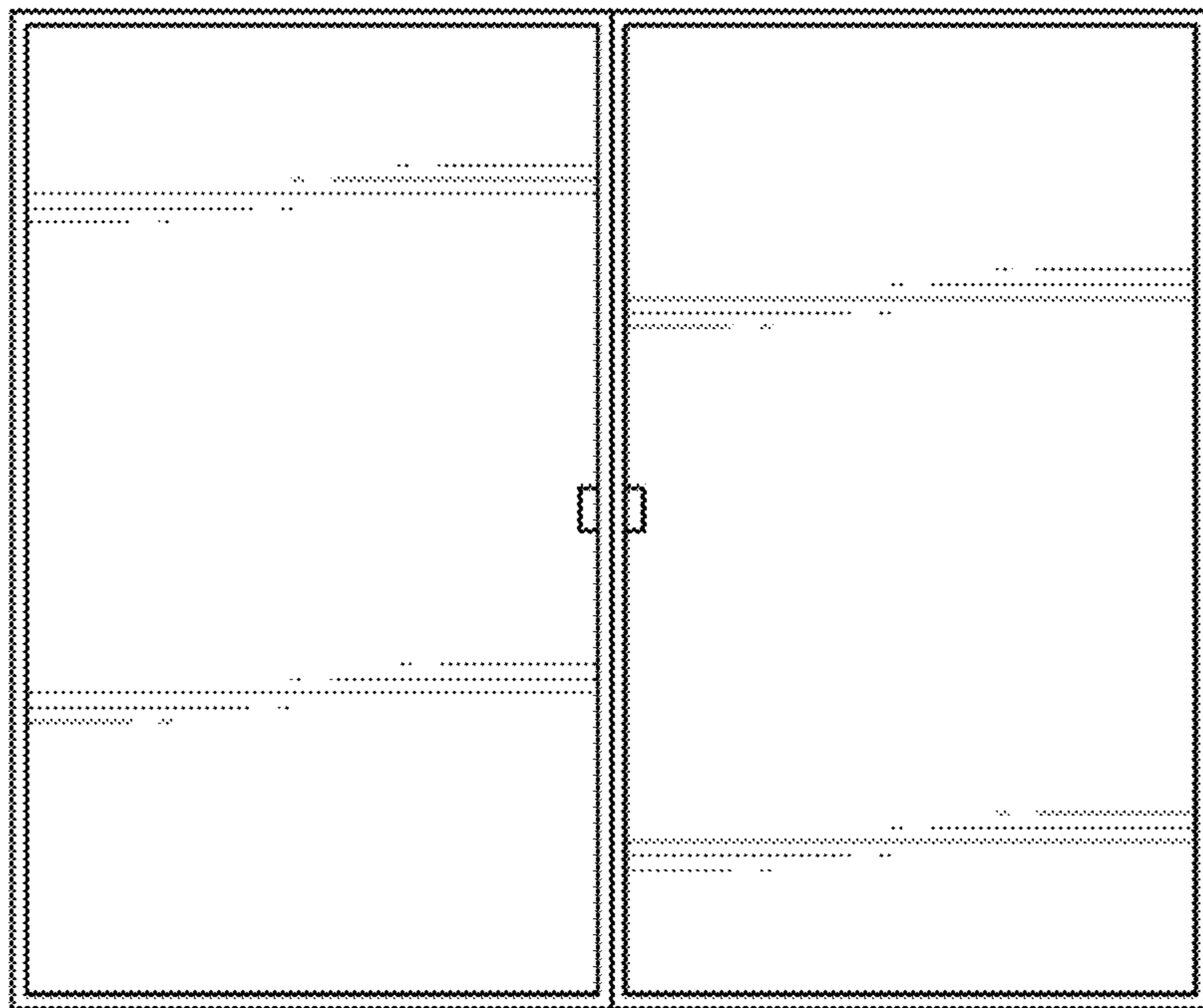


FIG. 9

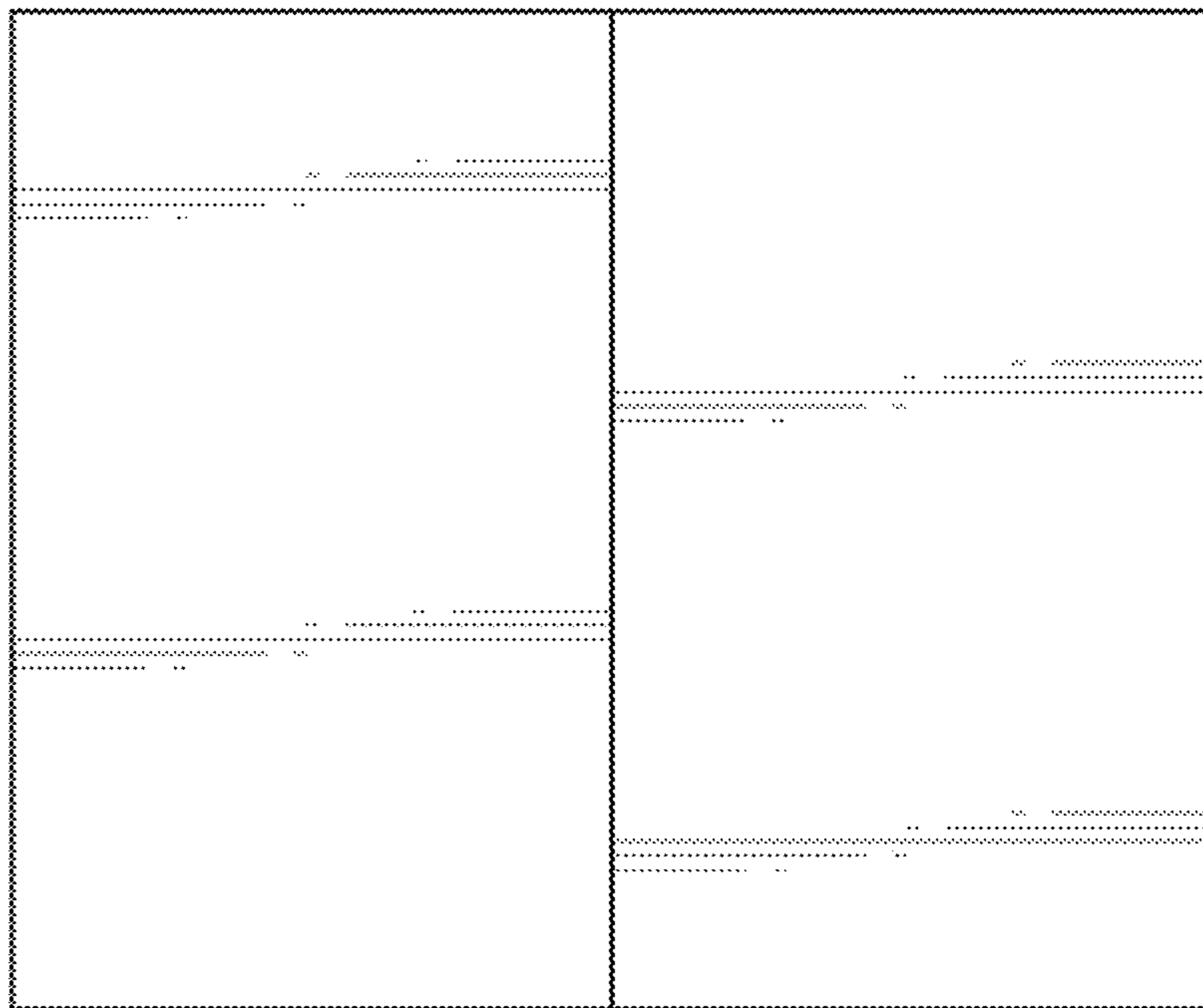


FIG. 10

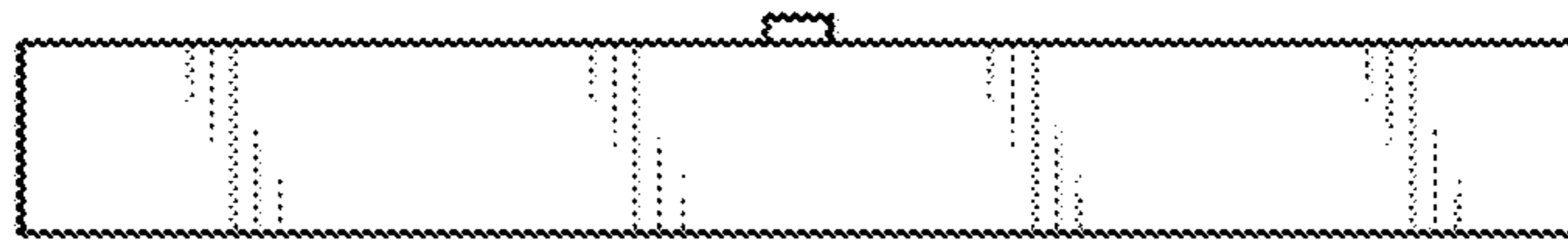


FIG. 11

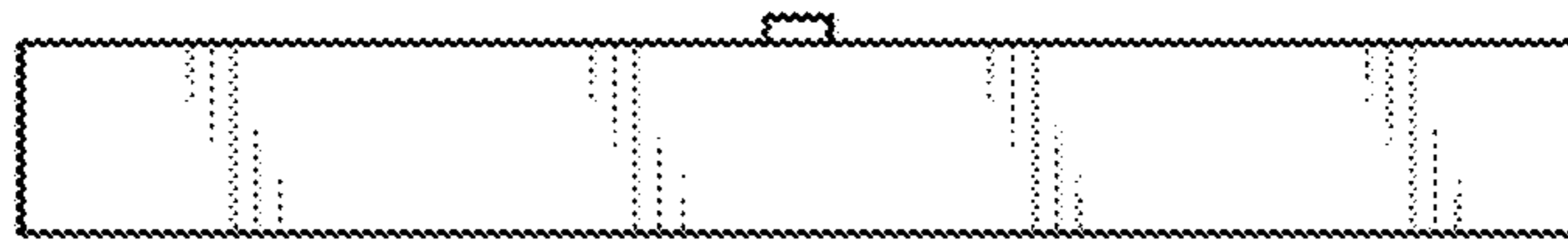


FIG. 12

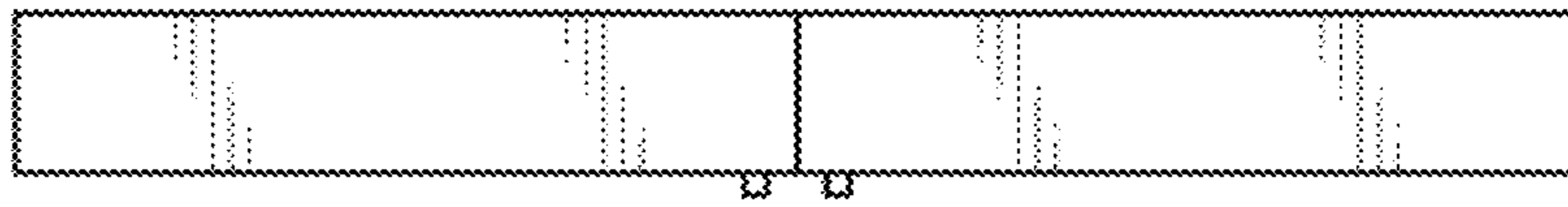


FIG. 13

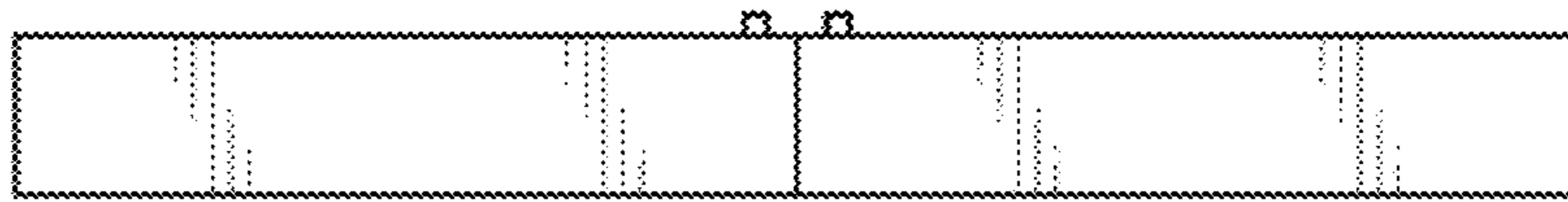


FIG. 14

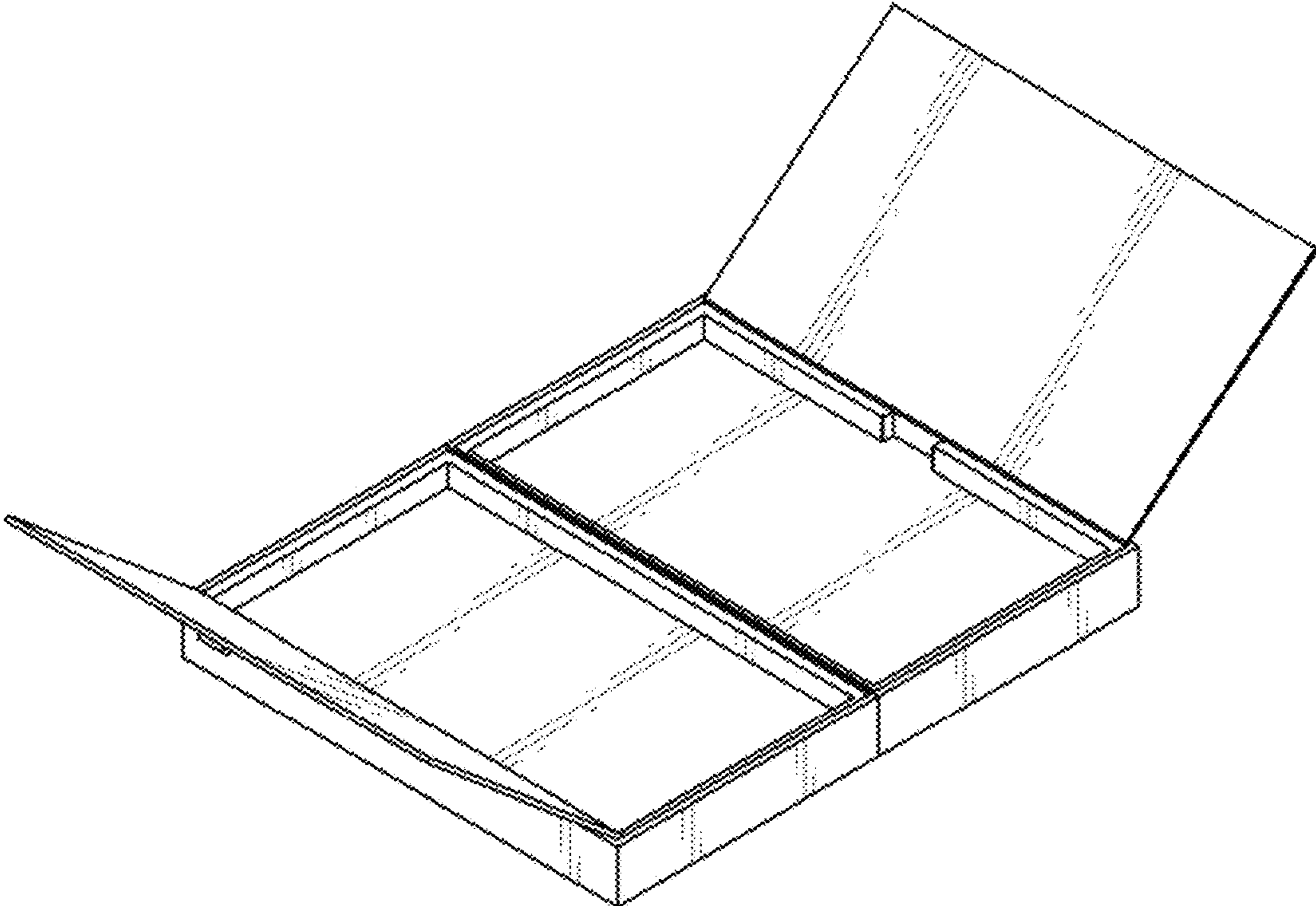


FIG. 15

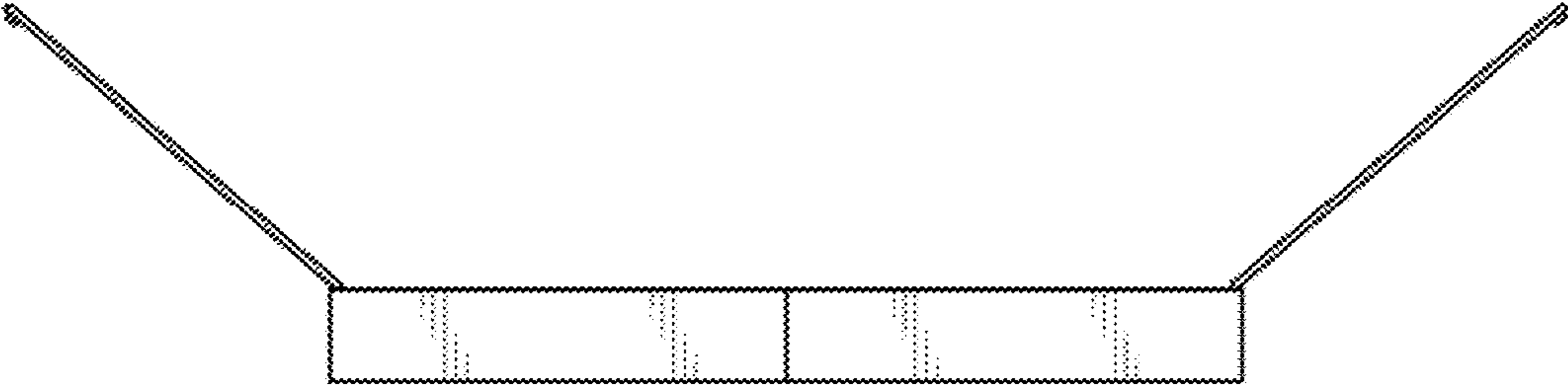


FIG. 16

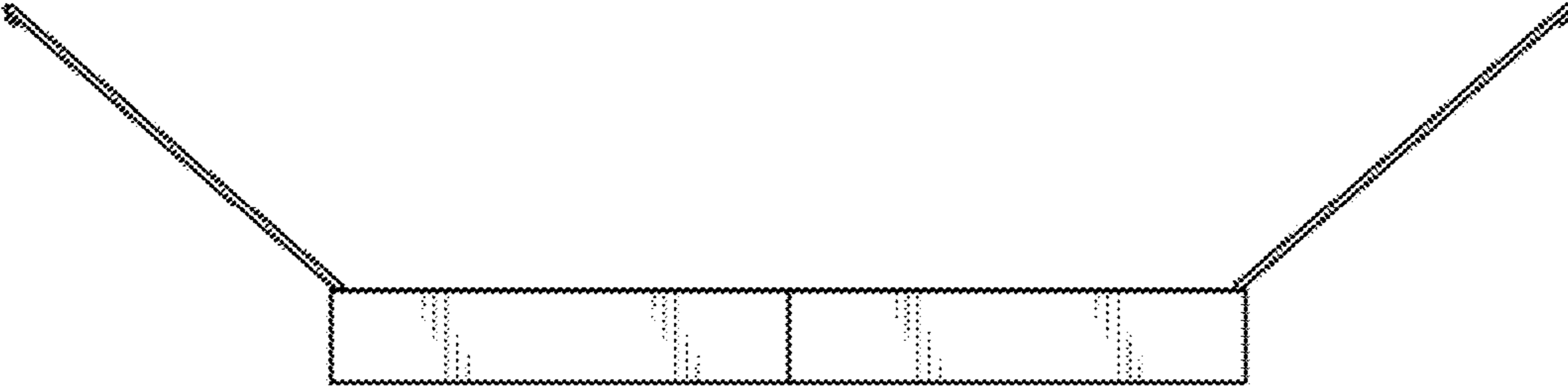


FIG. 17

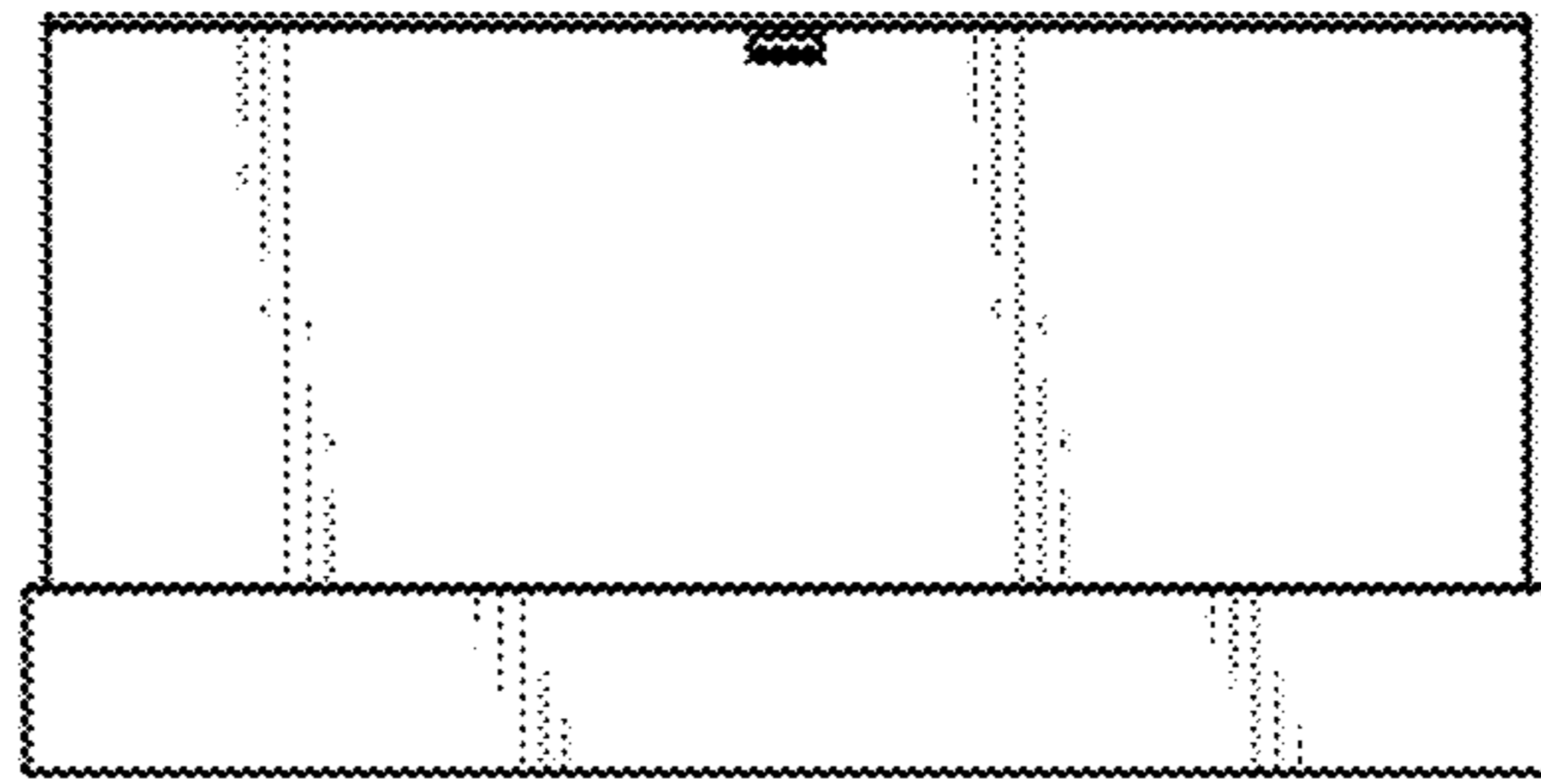


FIG. 18

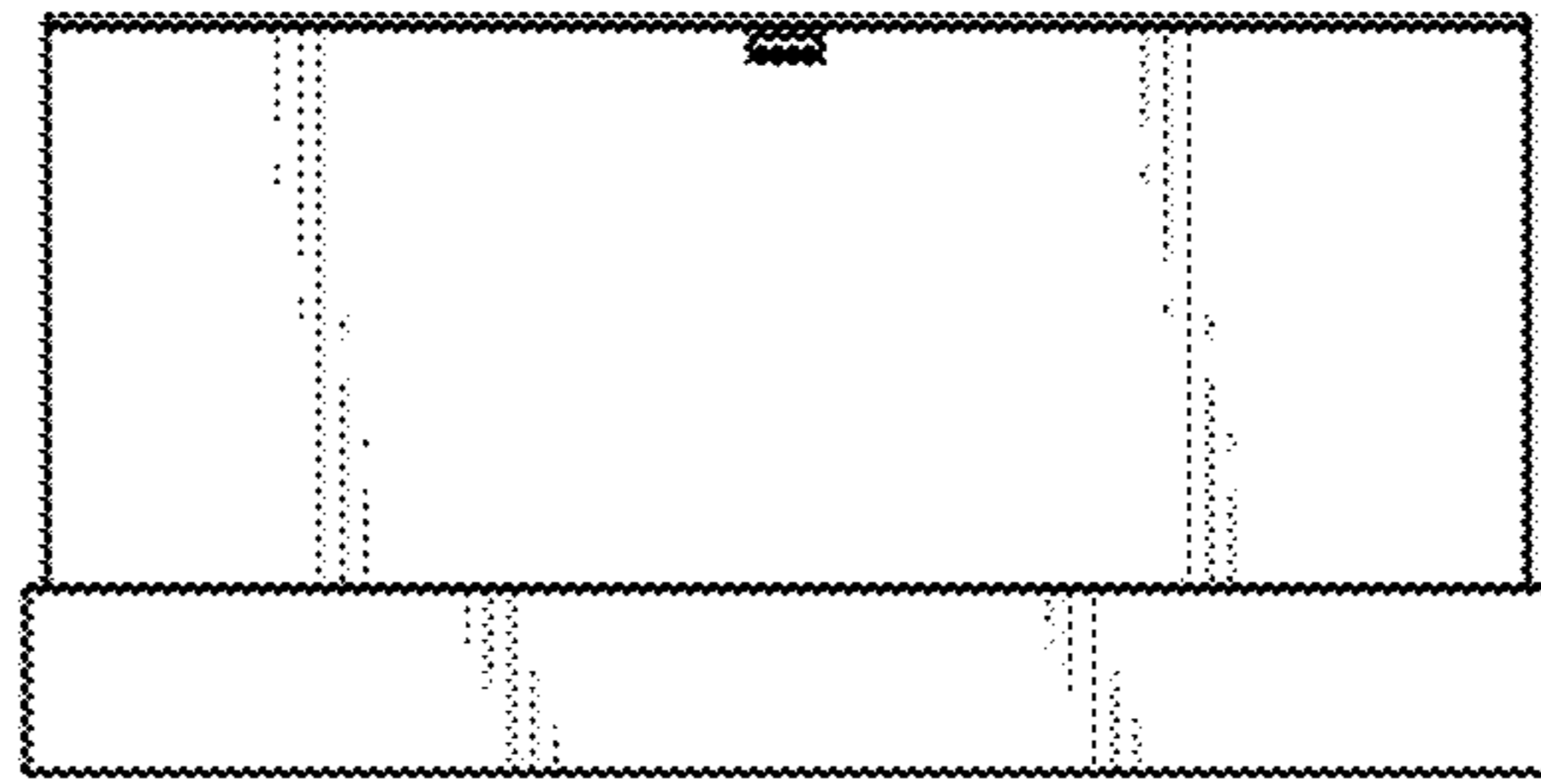


FIG. 19

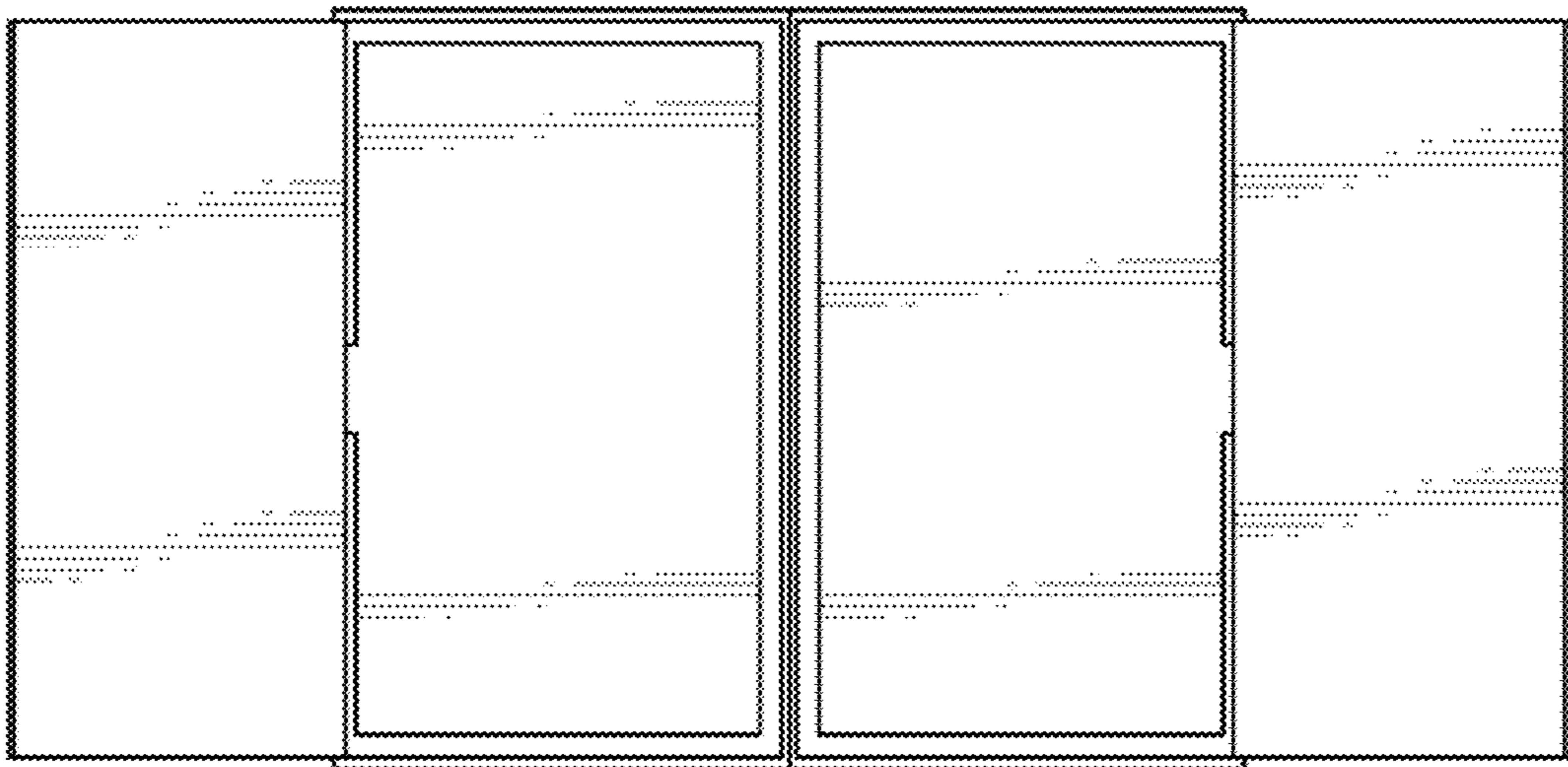


FIG. 20

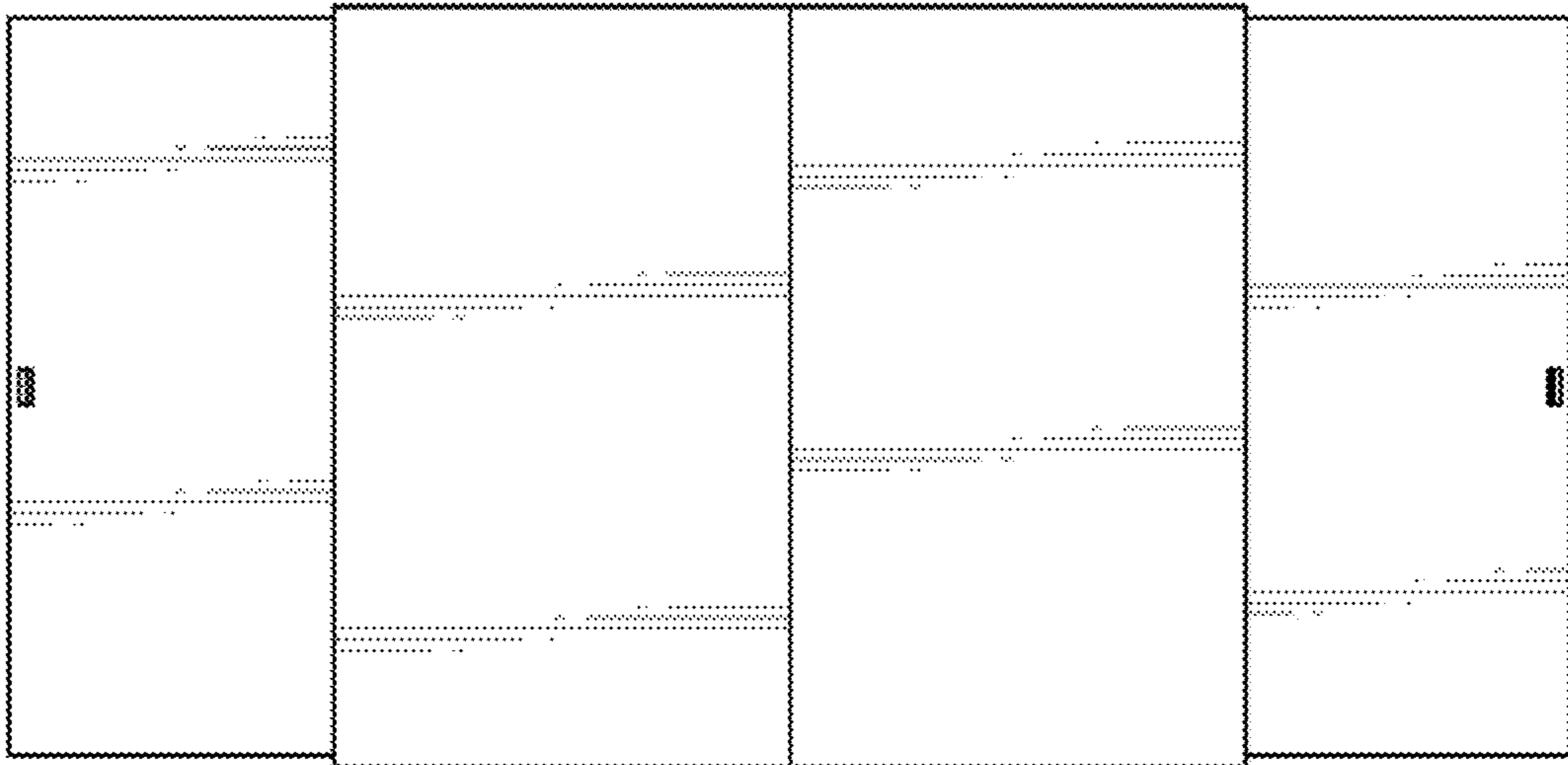


FIG. 21