

US00D937078S

(12) **United States Design Patent** (10) **Patent No.:** **US D937,078 S**
Watson et al. (45) **Date of Patent:** **** Nov. 30, 2021**

(54) **FASTENING DEVICE**
(71) Applicant: **Buttonfix Limited**, London (GB)
(72) Inventors: **Brian John Watson**, London (GB);
Anthony Arthur Wills, London (GB);
Philip Mark Hall, London (GB)
(73) Assignee: **Buttonfix Limited**, London (GB)
(**) Term: **15 Years**

D318,943 S 8/1991 Marega
D319,201 S 8/1991 Aoki
D329,193 S 9/1992 Togami et al.
D339,521 S 9/1993 Bartlett et al.
D348,827 S 7/1994 Berti et al.
5,370,345 A 12/1994 Condon
D358,679 S * 5/1995 Garrity D26/138
D362,176 S 9/1995 Solbeck
D363,690 S 10/1995 Gallon et al.
D371,861 S 7/1996 Stamm
D372,662 S 8/1996 Atkinson
(Continued)

(21) Appl. No.: **29/685,534**

OTHER PUBLICATIONS

(22) Filed: **Mar. 28, 2019**

Button fix posted on 2017 by british sign awards found on Oct. 4, 2021 at <https://britishsignawards.org/previous-winners/>.*

(30) **Foreign Application Priority Data**

(Continued)

Feb. 26, 2019 (EM) 006268181-0001

Primary Examiner — Eliza Z Bennett-Hattan

(51) **LOC (13) Cl.** **08-08**

(74) *Attorney, Agent, or Firm* — EIP US LLP

(52) **U.S. Cl.**
USPC **D8/394**

(57) **CLAIM**

(58) **Field of Classification Search**
USPC D8/354, 366, 371, 372, 367, 374, 373,
D8/376, 375, 16, 19, 45, 380, 381, 394,
D8/349

We claim the ornamental design for a fastening device, as shown and described.

CPC E01F 9/65; G09F 7/18
See application file for complete search history.

DESCRIPTION

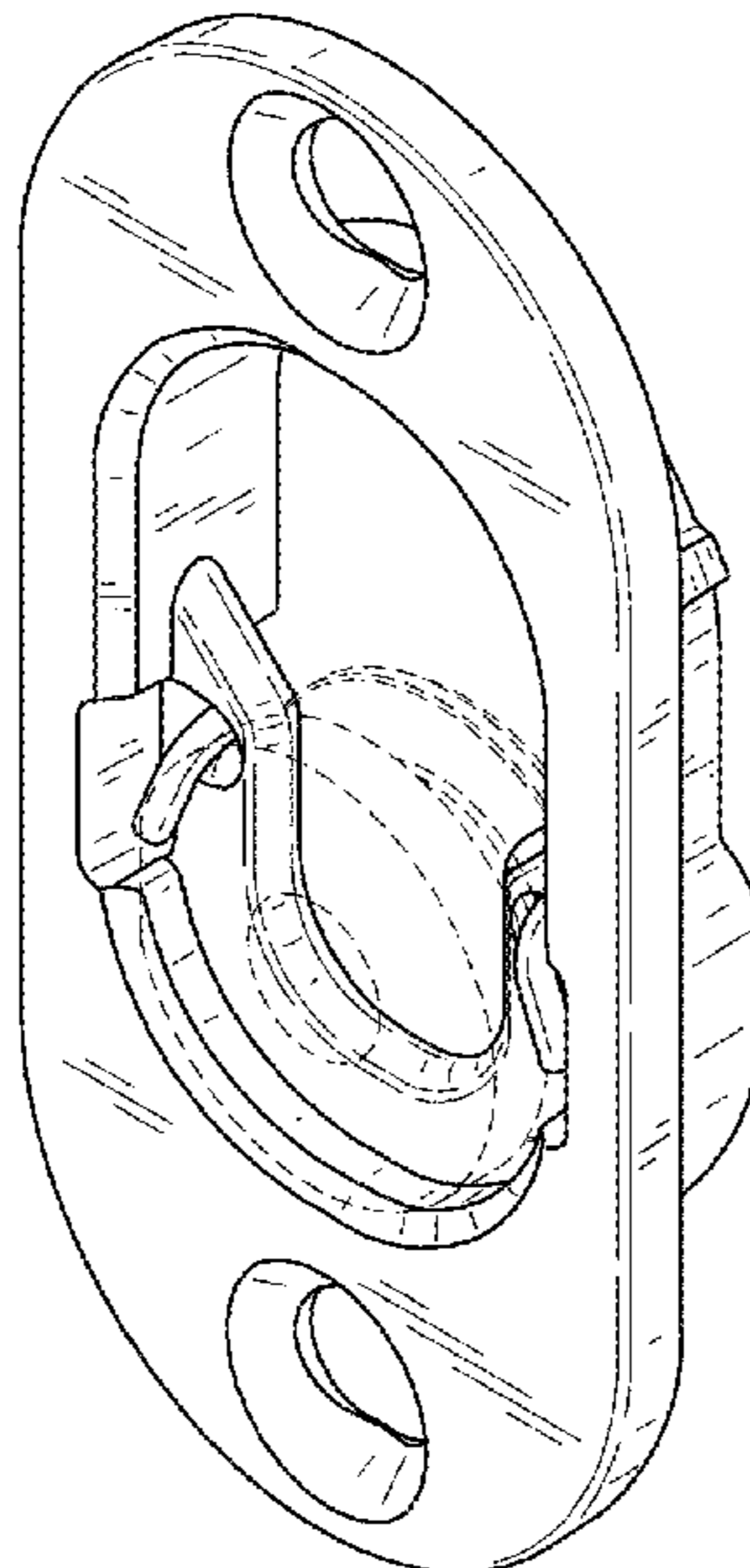
(56) **References Cited**

FIG. 1 is a front perspective view showing our new fastening device design in the environment of use of the design.
FIG. 2 is a rear perspective view thereof in the environment of use of the design;
FIG. 3 is a front plan view thereof;
FIG. 4 is a rear plan view thereof;
FIG. 5 is a left side view thereof;
FIG. 6 is a top view thereof; and,
FIG. 7 is a bottom view thereof.
Dashed or otherwise broken lines are used for illustrative purposes only to give environmental context to the claimed design and do not form any part of the claimed design.

U.S. PATENT DOCUMENTS

D16,980 S 11/1886 Kuhn
D153,895 S 5/1949 Oppenheimer
2,905,743 A 9/1959 Sylvester
D239,592 S 4/1976 Anderson et al.
4,051,611 A 10/1977 Chalmers
4,079,916 A 3/1978 Einhorn et al.
D276,212 S * 11/1984 Villanueva D6/553
D284,900 S 8/1986 Chalmers et al.
D298,604 S 11/1988 Newton
D299,022 S 12/1988 King et al.

1 Claim, 3 Drawing Sheets



(56)

References Cited

U.S. PATENT DOCUMENTS

D376,771 S 12/1996 Cheng
 D398,559 S 9/1998 Chen
 5,928,006 A 7/1999 Franks, Jr.
 D420,566 S 2/2000 Ely et al.
 D422,893 S 4/2000 Heredos-Formby
 D427,504 S 7/2000 Dziedzic
 D459,306 S 6/2002 Malin
 D479,117 S 9/2003 Mercier
 D486,791 S 2/2004 Franks
 D508,676 S 8/2005 Franks
 D512,376 S 12/2005 Franks
 7,198,495 B1 4/2007 Youtsey
 D544,784 S 6/2007 Antonio
 7,287,304 B2 6/2007 Zebe, Jr.
 D549,556 S 8/2007 Christie
 D585,331 S 1/2009 Kumazaki et al.
 D588,440 S 3/2009 Antonic
 D611,327 S 3/2010 Chawgo
 D618,136 S 6/2010 Ward
 7,731,512 B1 6/2010 Montena et al.
 D619,449 S 7/2010 Smith et al.
 D649,492 S 11/2011 Grimm et al.

D651,122 S 12/2011 Vincent et al.
 D668,936 S * 10/2012 Wyatt D8/367
 D686,942 S 7/2013 Watson et al.
 D686,943 S 7/2013 Watson et al.
 D738,704 S 9/2015 Watson et al.
 D767,378 S * 9/2016 Sehl D8/373
 D769,107 S * 10/2016 McLaren Hall D8/373
 9,808,074 B2 * 11/2017 Kinskey A45F 5/021
 D830,157 S * 10/2018 Kreinbrink D8/373
 D833,262 S * 11/2018 Royak D8/373
 D874,252 S * 2/2020 Eremita D8/394
 D874,253 S * 2/2020 Eremita D8/394
 D874,254 S * 2/2020 Eremita D8/394

OTHER PUBLICATIONS

Office Action dated Feb. 6, 2015 for Design U.S. Appl. No. 29/422,991.
 Notice of Allowance dated Apr. 5, 2013 for Design U.S. Appl. No. 29/422,995.
 Notice of Allowance dated Apr. 5, 2013 for Design U.S. Appl. No. 29/422,998.

* cited by examiner

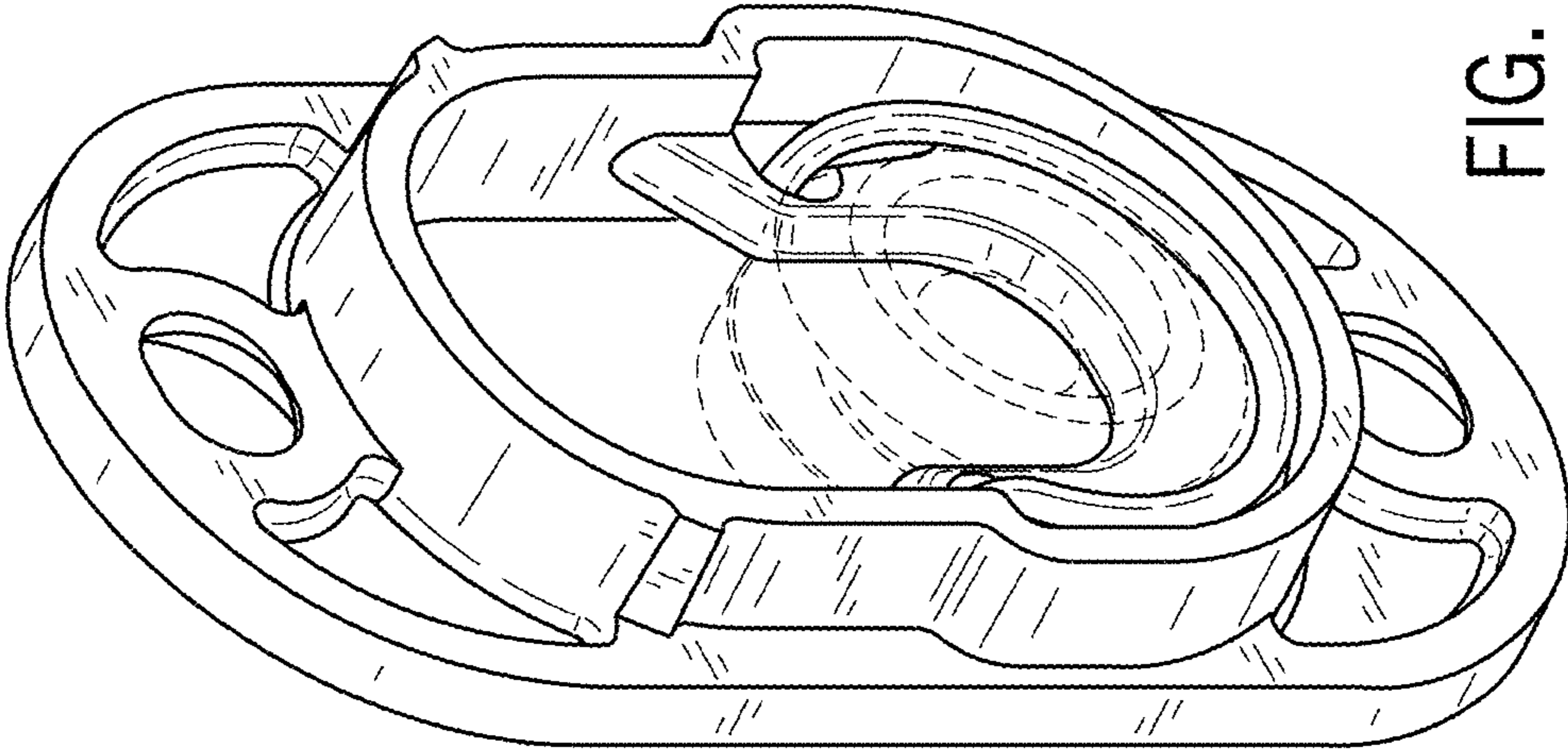


FIG. 1

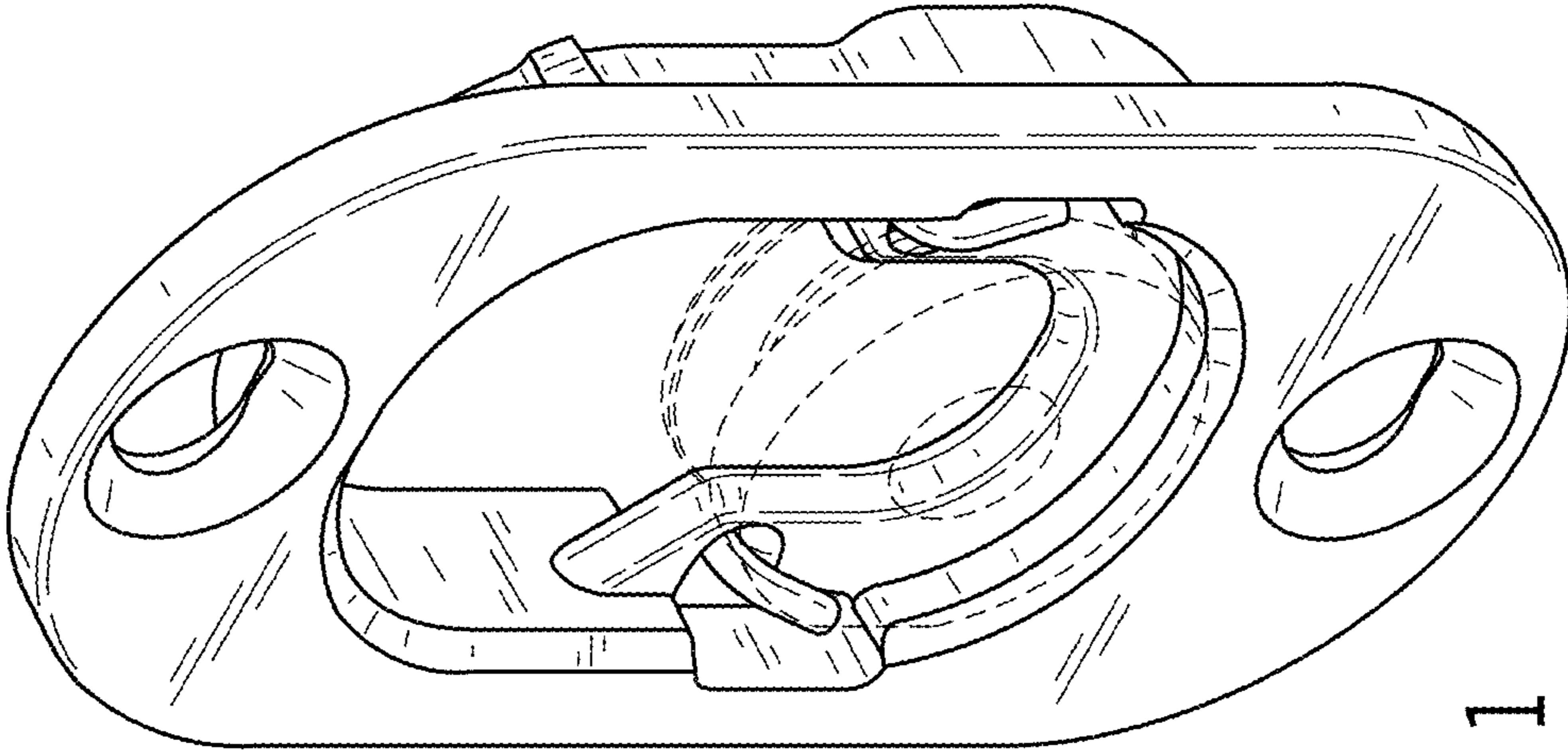


FIG. 2

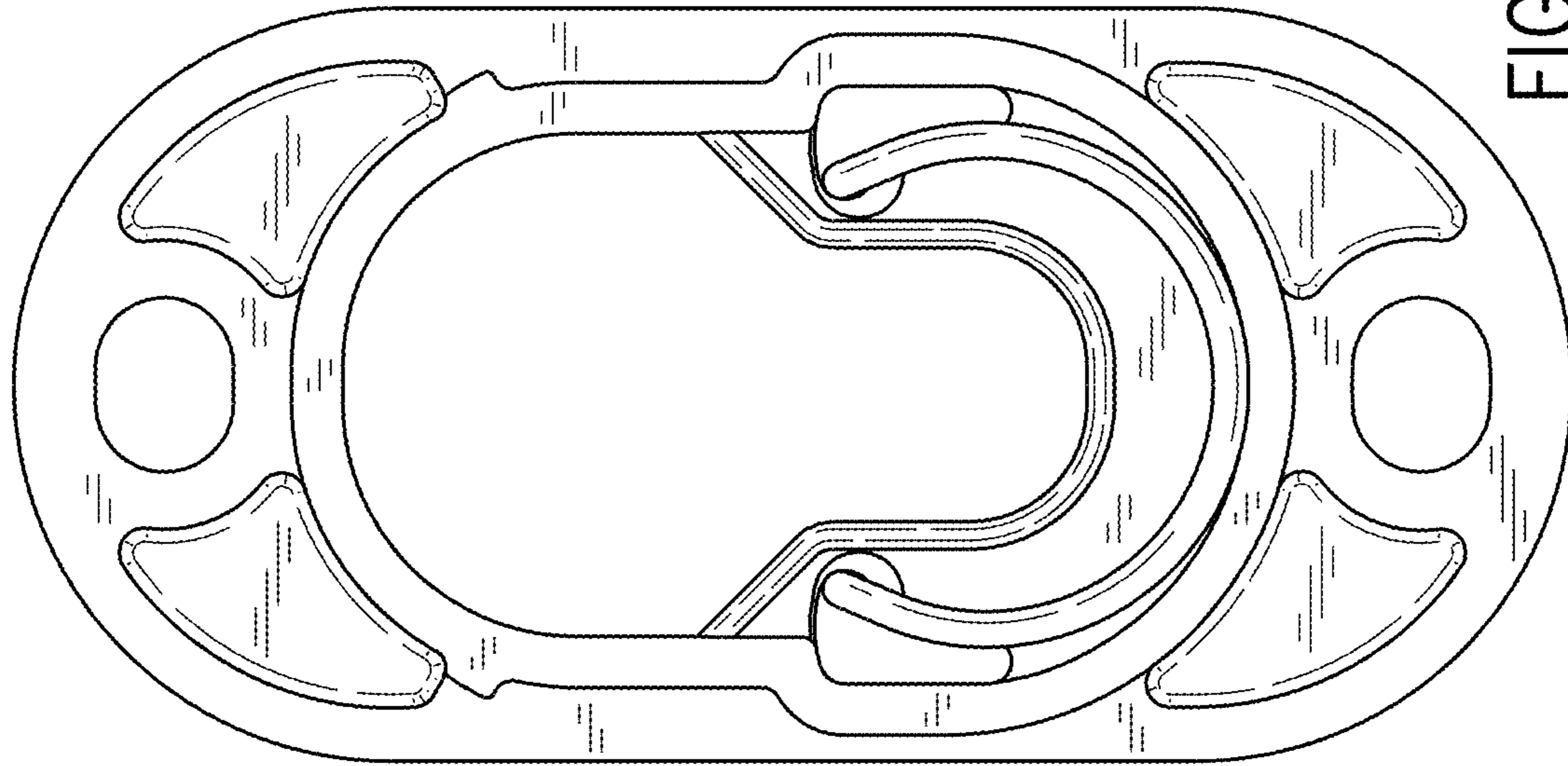


FIG. 4

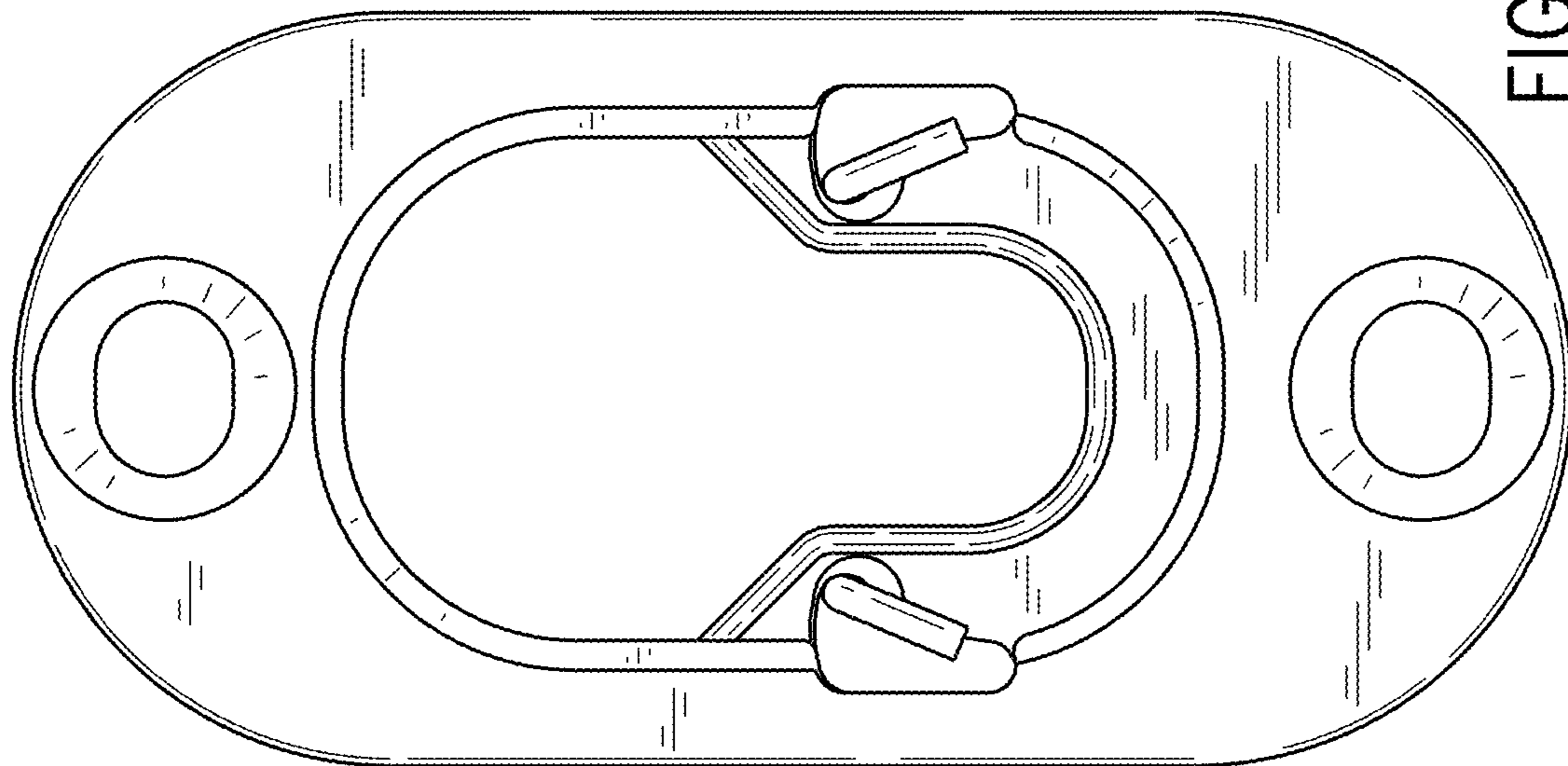


FIG. 3

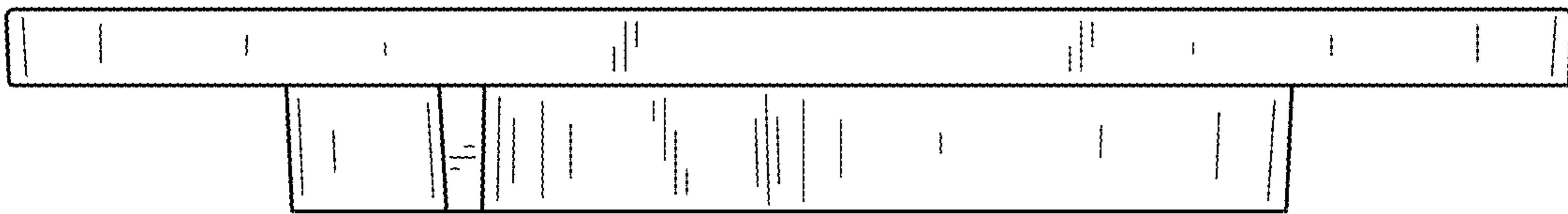


FIG. 5

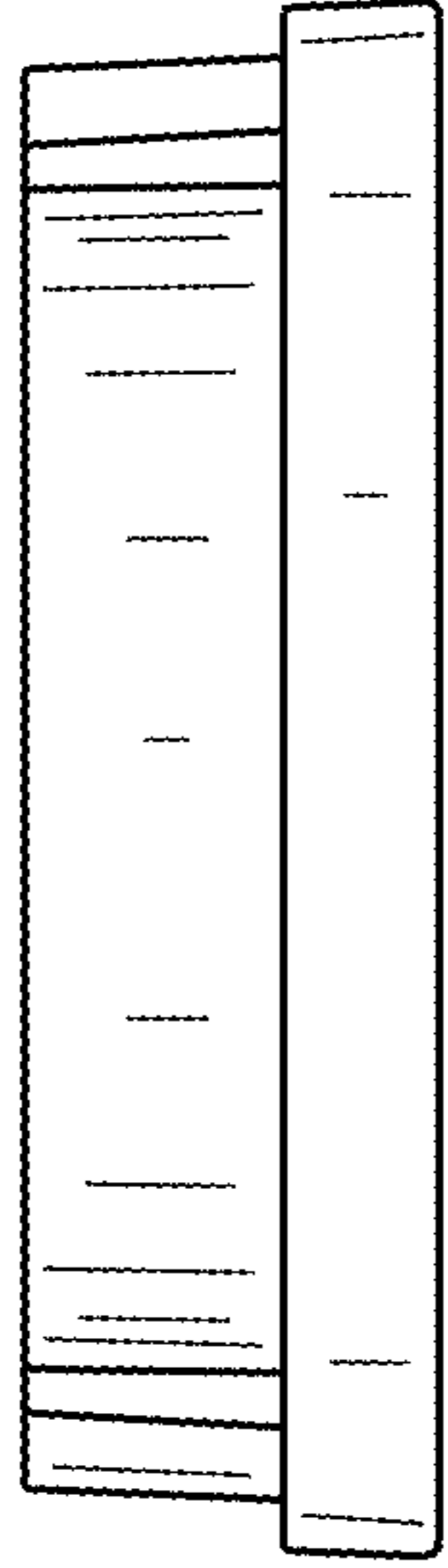


FIG. 6

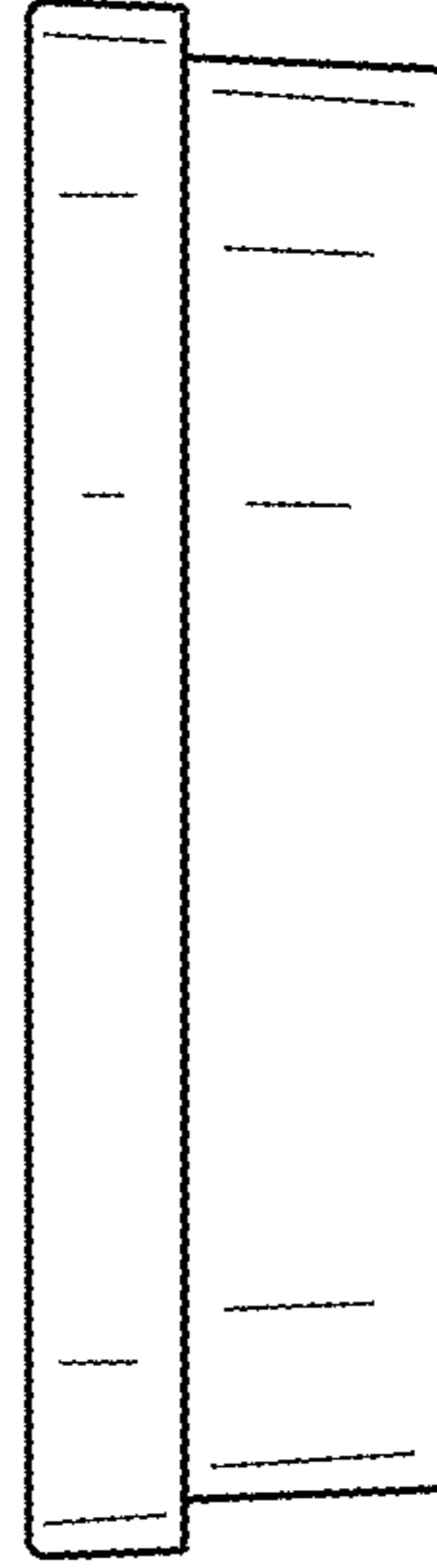


FIG. 7