



US00D937076S

(12) **United States Design Patent**  
**Shyu**

(10) **Patent No.:** **US D937,076 S**

(45) **Date of Patent:** **\*\* Nov. 30, 2021**

(54) **CONNECTOR**

(71) Applicant: **EP Family Corp.**, Walnut, CA (US)

(72) Inventor: **Chin-Hung Shyu**, Chiayi (TW)

(\*\*) Term: **15 Years**

(21) Appl. No.: **29/663,258**

(22) Filed: **Sep. 13, 2018**

(51) **LOC (13) Cl.** ..... **08-08**

(52) **U.S. Cl.**  
USPC ..... **D8/382**

(58) **Field of Classification Search**  
USPC ..... D8/14, 16, 19, 394, 354, 373, 381, 382;  
D6/562, 702, 707.16, 708, 709, 709.21,  
D6/707.26  
CPC ..... A47B 13/003; A47B 7/00; A47B 13/02;  
A47B 2013/006; A47B 2200/0012; A47B  
2200/0018; A47B 2200/0028; A47B  
57/545; A47B 47/045; A47B 2230/0077;  
A47B 21/02; A47B 47/0008; A47B  
47/0025; A47B 47/0033; A47B 13/00;  
A47B 45/00  
See application file for complete search history.

(56) **References Cited**

**U.S. PATENT DOCUMENTS**

3,851,601	A *	12/1974	Davis	.....	F16B 12/02 108/158.11
D252,365	S *	7/1979	Durham, III	.....	D8/382
4,351,621	A *	9/1982	Liou	.....	A47B 13/02 248/165
5,279,231	A *	1/1994	Kolvites	.....	A47B 57/545 108/107
D579,321	S *	10/2008	Townley	.....	D8/354
D590,697	S *	4/2009	Townley	.....	D8/354
7,896,177	B1 *	3/2011	Toma	.....	A47B 47/03 211/182
D673,029	S *	12/2012	Apestequia Martinez	....	D8/354

D690,370 S \* 9/2013 Macadam ..... D21/502  
D720,608 S \* 1/2015 Yamaguchi ..... D8/382  
D733,543 S \* 7/2015 White ..... D8/382

(Continued)

*Primary Examiner* — Holly E Thurman

*Assistant Examiner* — Ieisha N Price

(74) *Attorney, Agent, or Firm* — Tommy SF Wang; Wang IP Law Group, P.C.

(57) **CLAIM**

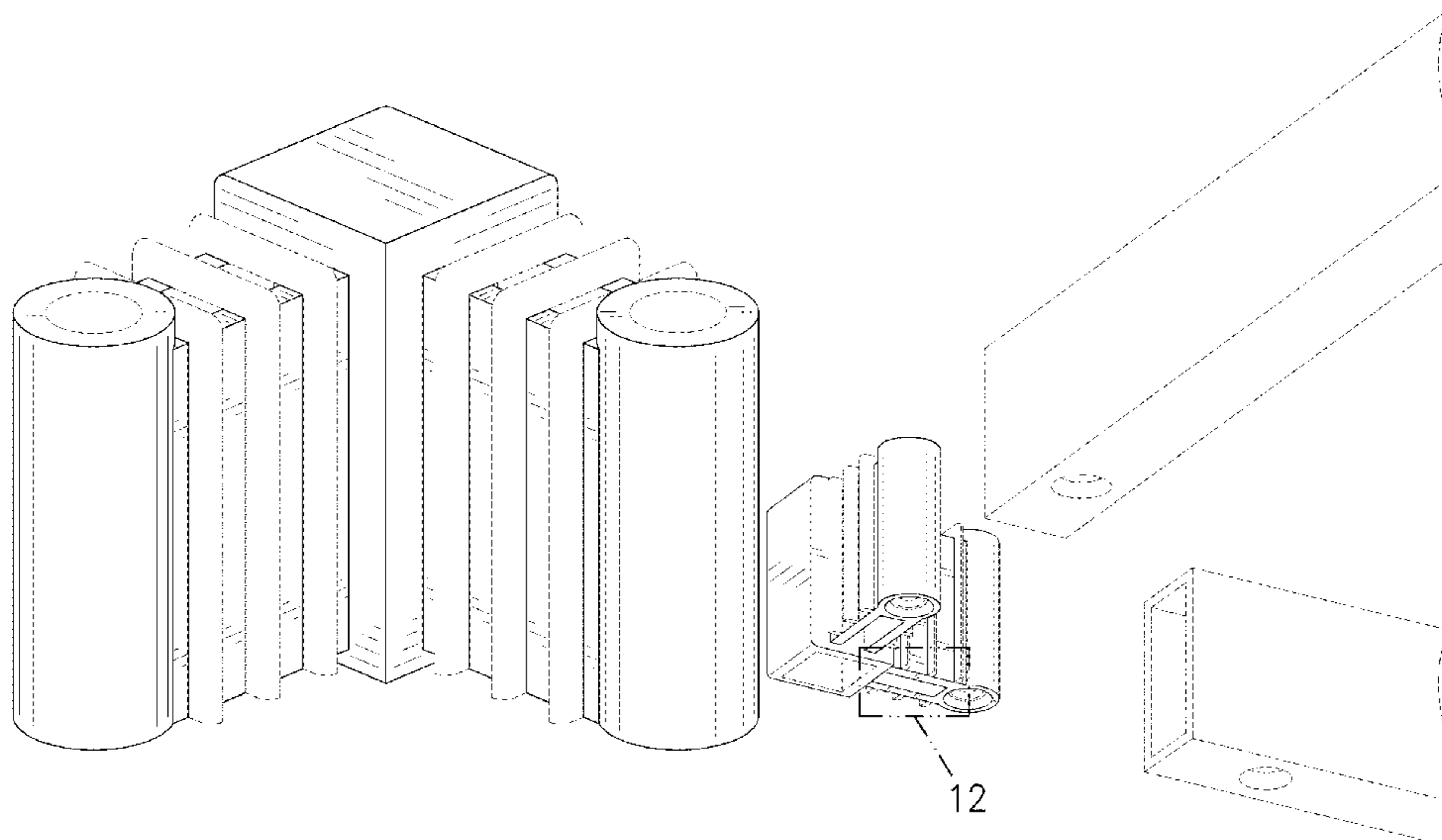
The ornamental design for a connector, as shown and described.

**DESCRIPTION**

FIG. 1 is a top perspective view of a connector showing my new design;  
FIG. 2 is a bottom perspective view thereof;  
FIG. 3 is a front view thereof;  
FIG. 4 is a rear view thereof;  
FIG. 5 is a left side view thereof;  
FIG. 6 is a right side view thereof;  
FIG. 7 is a top view thereof;  
FIG. 8 is a bottom view thereof;  
FIG. 9 is an enlarged view of an indicated portion of FIG. 8;  
FIG. 10 is an environmental perspective view thereof;  
FIG. 11 is a second environmental perspective view thereof;  
and,  
FIG. 12 is an enlarged view of an indicated portion of FIG. 10.

The broken lines rendered in FIGS. 1-12 illustrate portions of the connector and form no part of the claimed design. The broken line showing of the rods in FIGS. 10 and 11 illustrates the environment of the claimed design and forms no part thereof. The dot-dash-dot broken lines rendered in FIGS. 2, 8-10 and 12 define the bounds of the claim and form no part thereof. The dot-dot-dash broken lines rendered in FIGS. 8, 9-10 and 12 are for the purposes of indicating and displaying the enlarged views thereof and form no part of the claimed design.

**1 Claim, 10 Drawing Sheets**



(56)

References Cited

U.S. PATENT DOCUMENTS

D783,390 S \* 4/2017 Nelson ..... D8/382  
 9,932,734 B1 \* 4/2018 Winter ..... E04B 1/5831  
 D823,666 S \* 7/2018 Macdonald ..... D8/349  
 10,085,429 B2 \* 10/2018 Keller ..... E05D 15/06  
 D867,108 S \* 11/2019 Bowron ..... D8/354  
 2002/0114662 A1 \* 8/2002 Cattaneo ..... A47B 47/0008  
 403/172  
 2003/0152421 A1 \* 8/2003 Lu ..... A47B 13/02  
 403/188  
 2003/0215375 A1 \* 11/2003 Peddicord ..... A47B 13/02  
 422/275  
 2007/0034584 A1 \* 2/2007 Park ..... A47B 47/0083  
 211/187  
 2009/0087255 A1 \* 4/2009 Jorna ..... F16B 7/0453  
 403/171  
 2009/0194991 A1 \* 8/2009 Yang ..... E04B 1/585  
 285/31

2009/0250572 A1 \* 10/2009 Cheng ..... A47F 5/13  
 248/188.6  
 2010/0314982 A1 \* 12/2010 Luo ..... A47B 96/14  
 312/351.1  
 2011/0241502 A1 \* 10/2011 Kao ..... F16B 12/52  
 312/111  
 2013/0220188 A1 \* 8/2013 Wei Siao ..... A47B 13/02  
 108/158.11  
 2015/0208798 A1 \* 7/2015 Glenn, II ..... F16B 12/40  
 108/158.11  
 2015/0216328 A1 \* 8/2015 Bubear ..... A47B 47/0008  
 403/404  
 2015/0272322 A1 \* 10/2015 Wu ..... A47B 47/005  
 428/99  
 2017/0097030 A1 \* 4/2017 Keller ..... F16B 12/50  
 2017/0156486 A1 \* 6/2017 Blick ..... F16B 12/30  
 2017/0292549 A1 \* 10/2017 Del Missier ..... F16B 7/20  
 2018/0355901 A1 \* 12/2018 Trego ..... A47C 4/02  
 2019/0301504 A1 \* 10/2019 Nelson ..... F16B 12/50  
 2021/0071700 A1 \* 3/2021 Zanette ..... A47K 1/02

\* cited by examiner

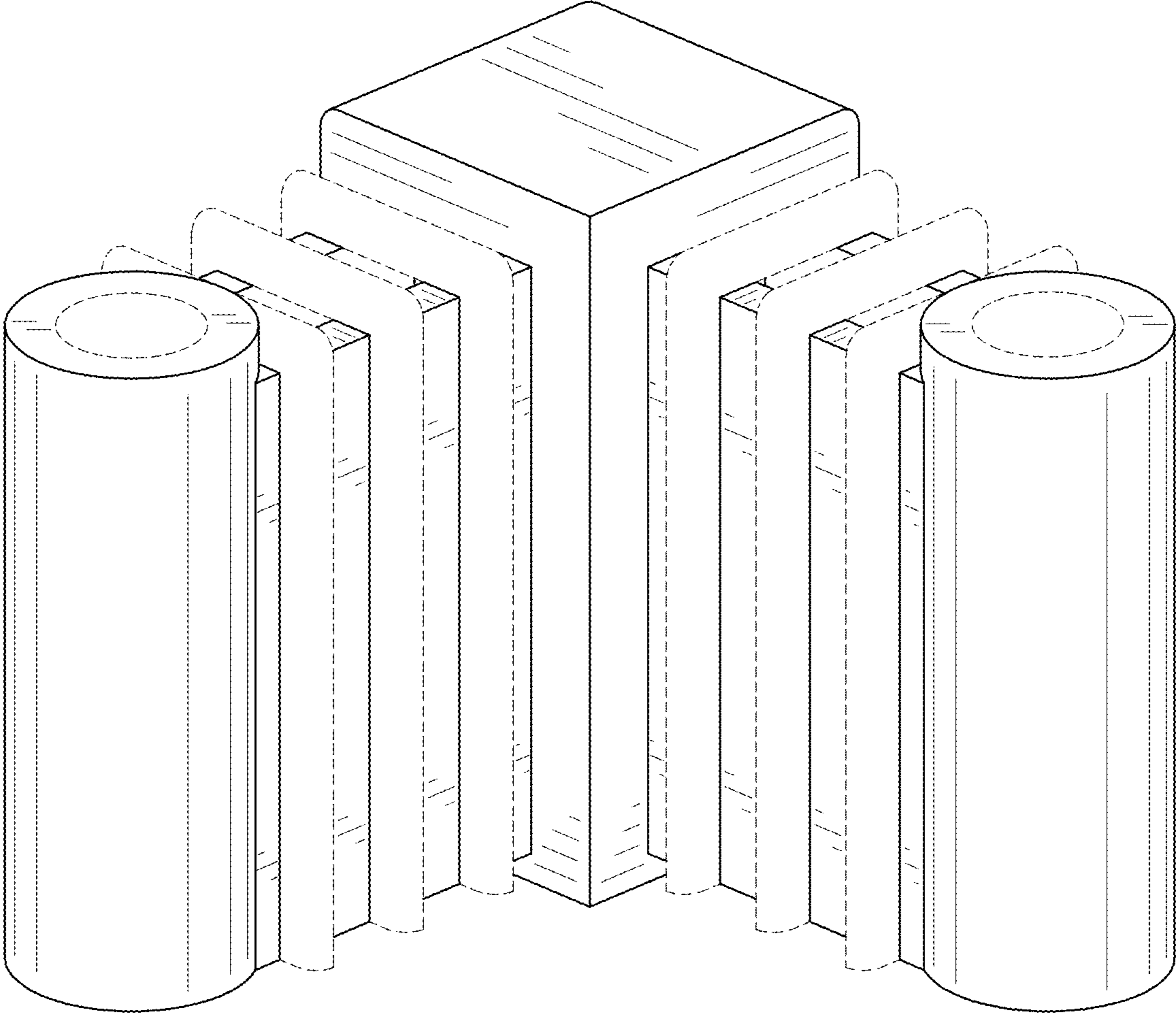


FIG. 1

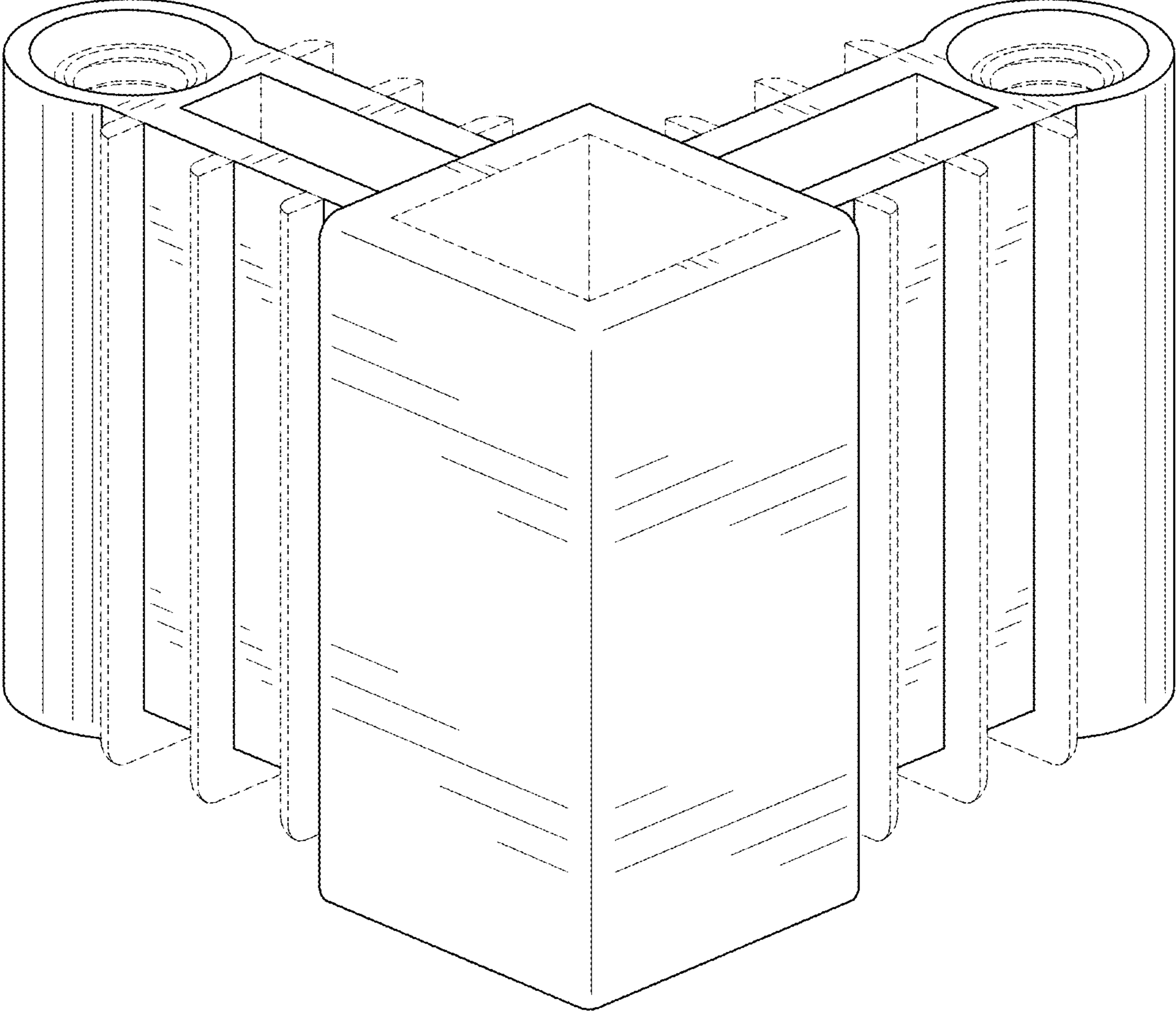


FIG. 2



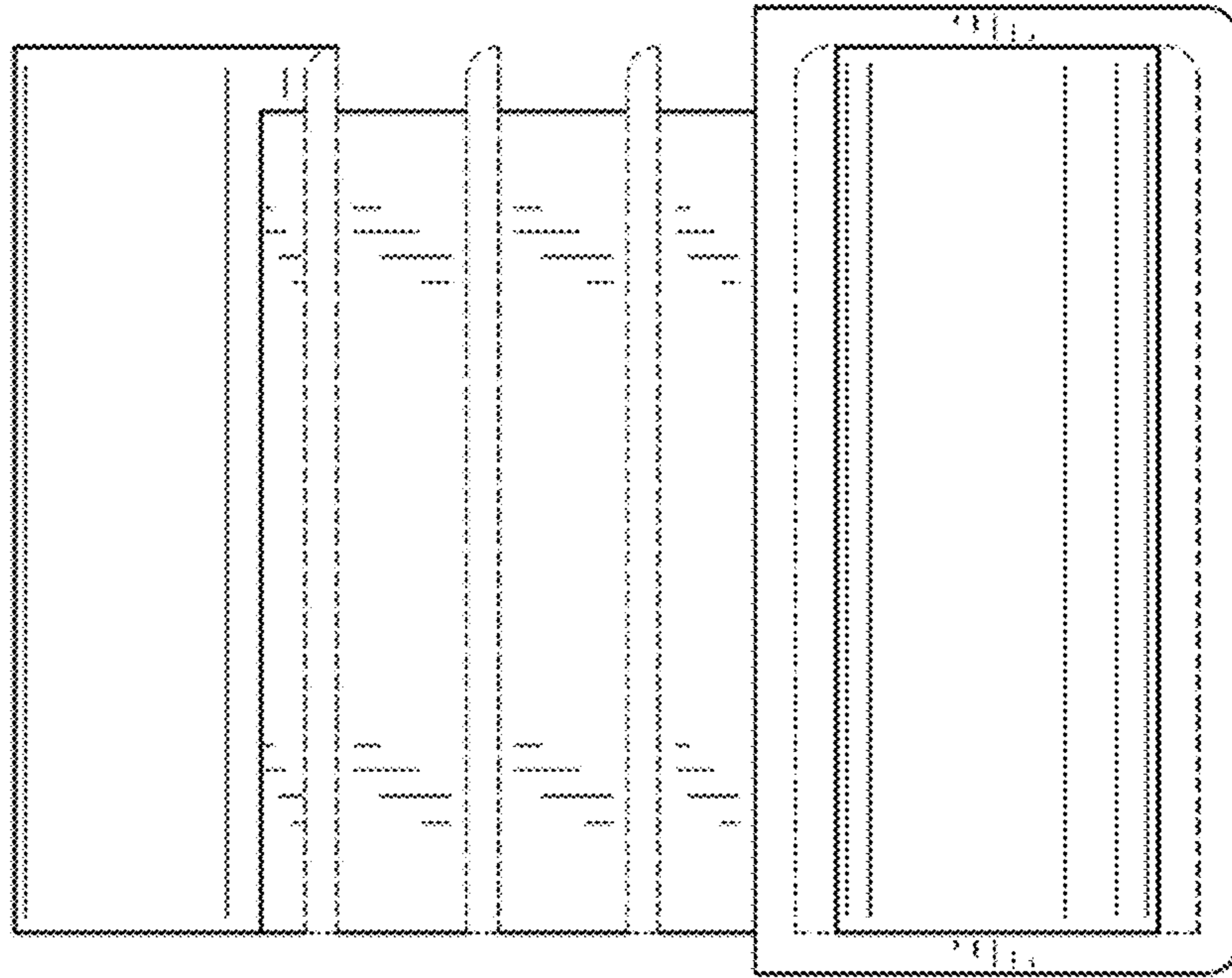


FIG. 3

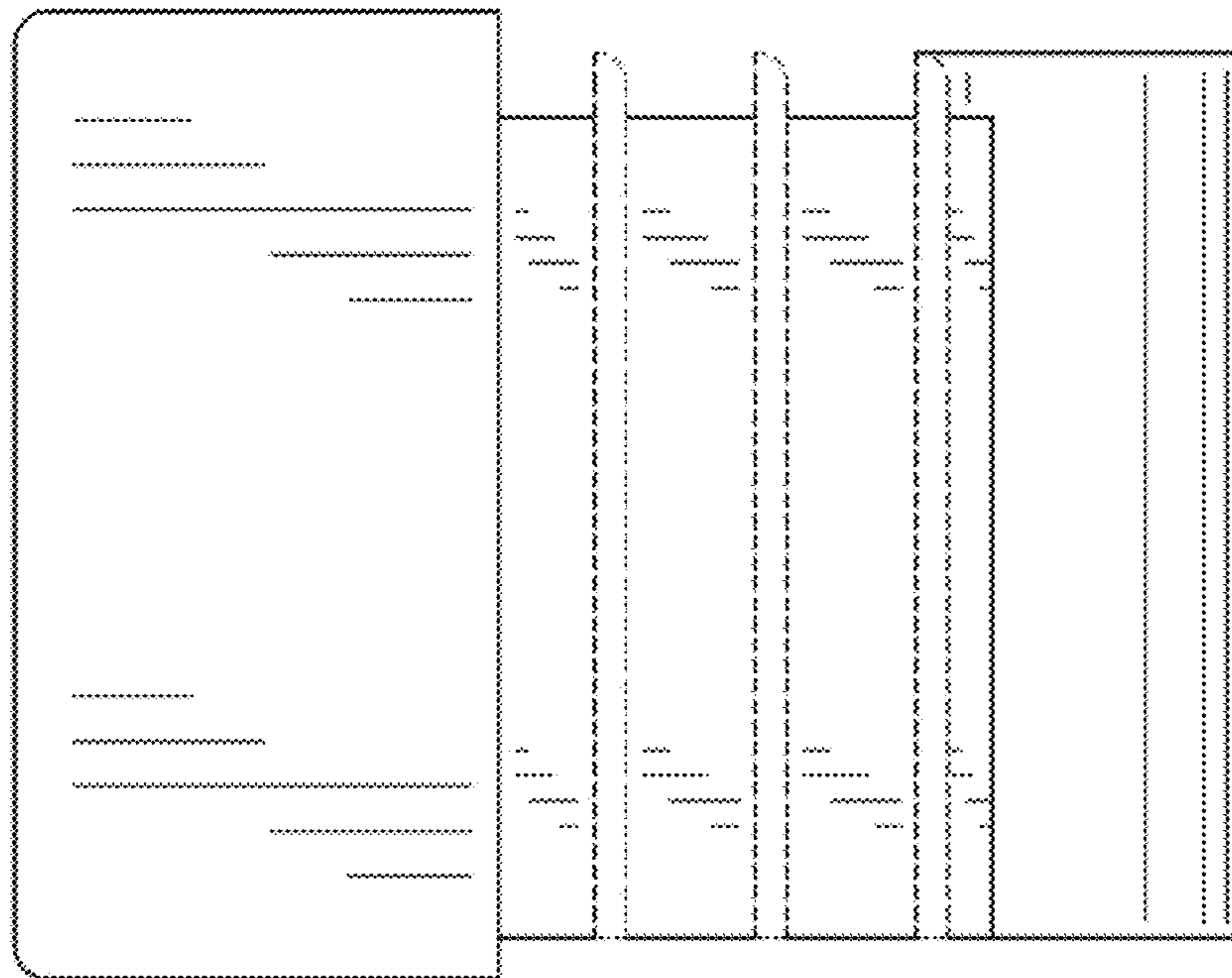


FIG. 4

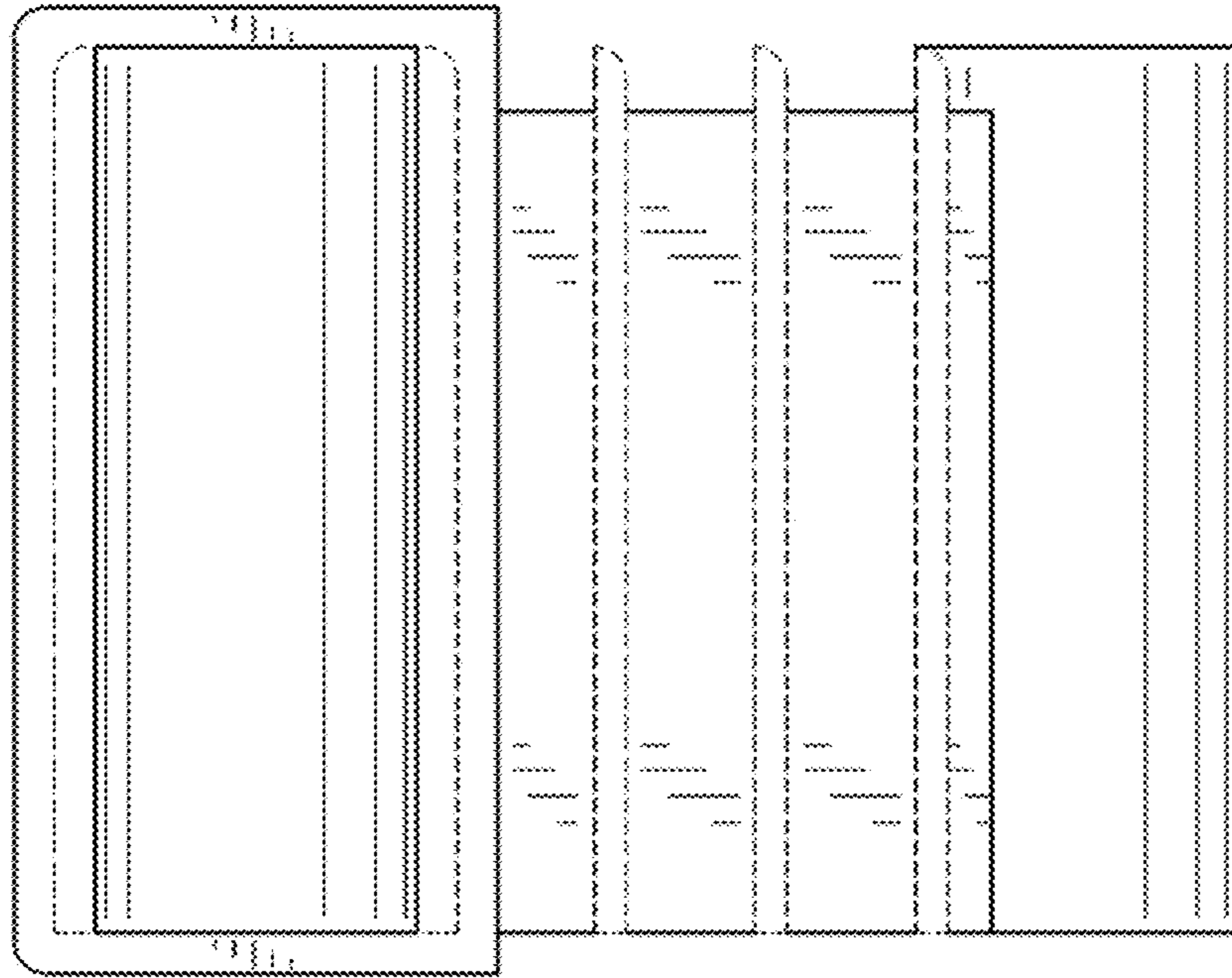


FIG. 5

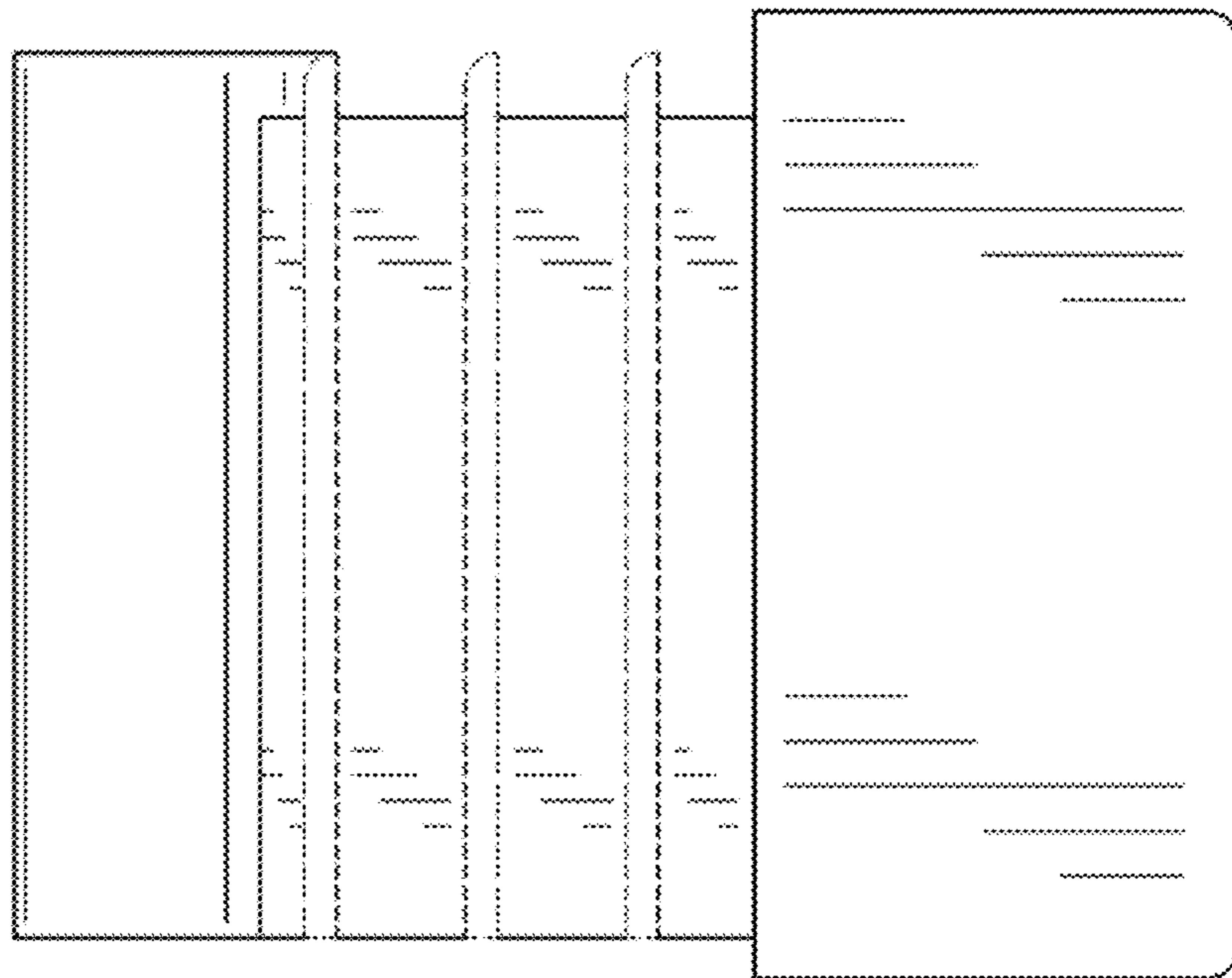


FIG. 6

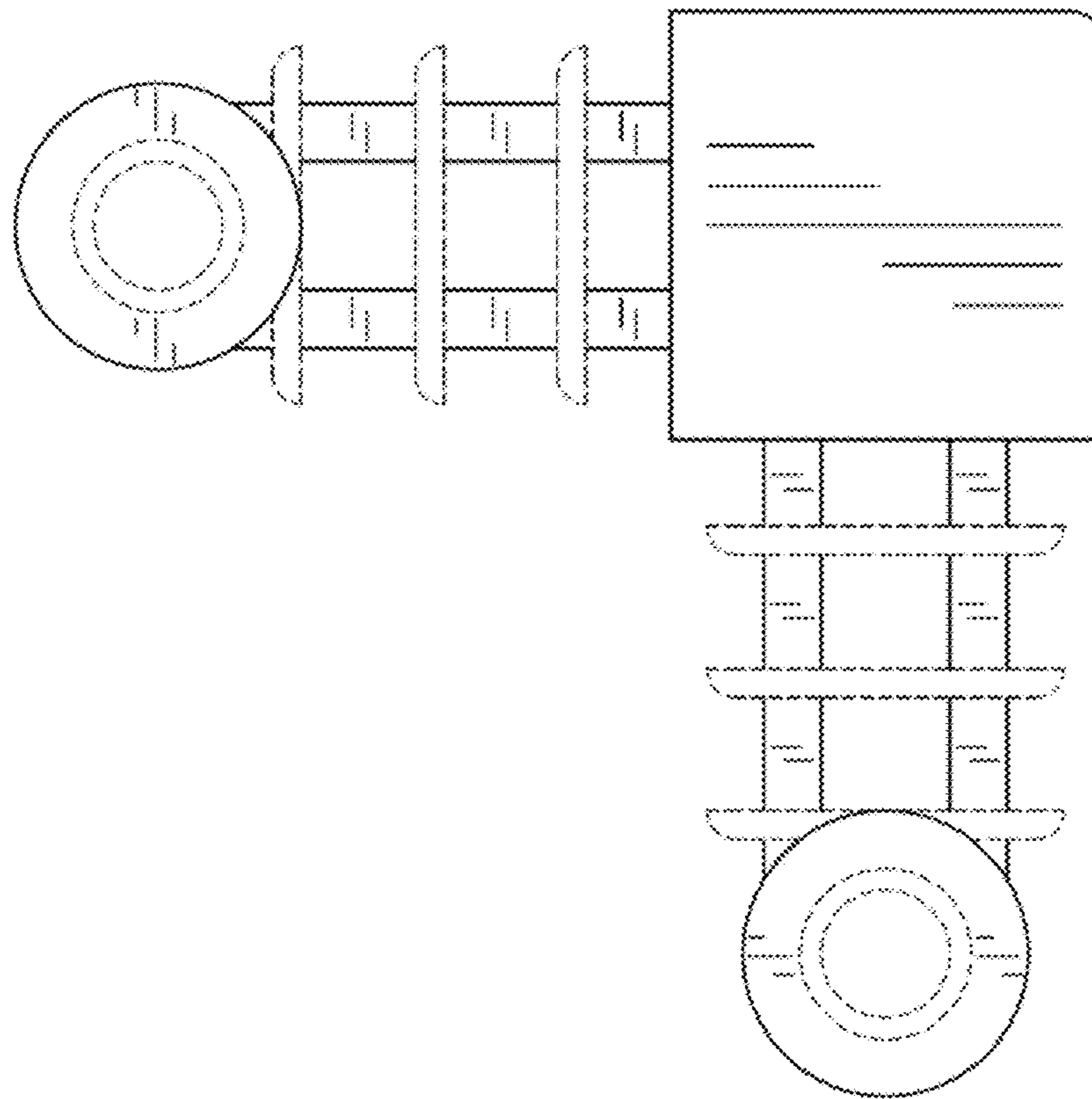


FIG. 7

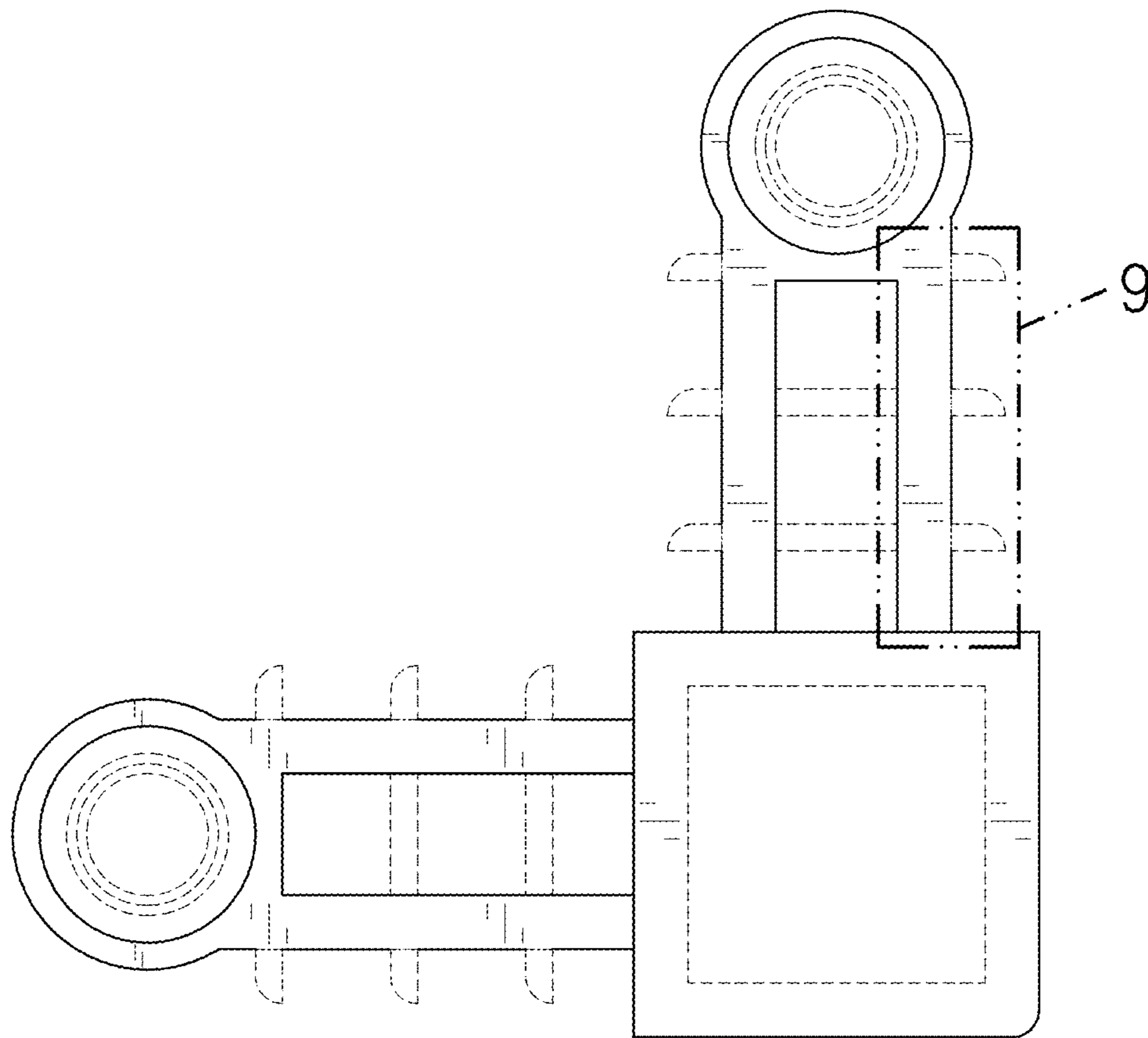


FIG. 8



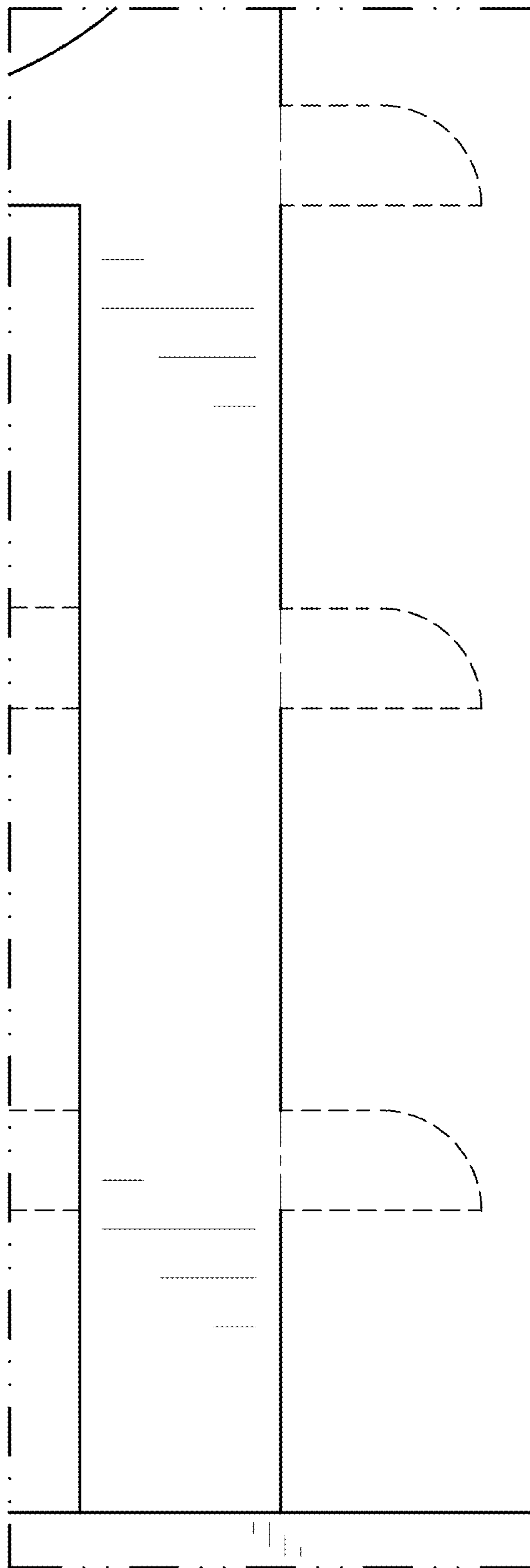


FIG. 9

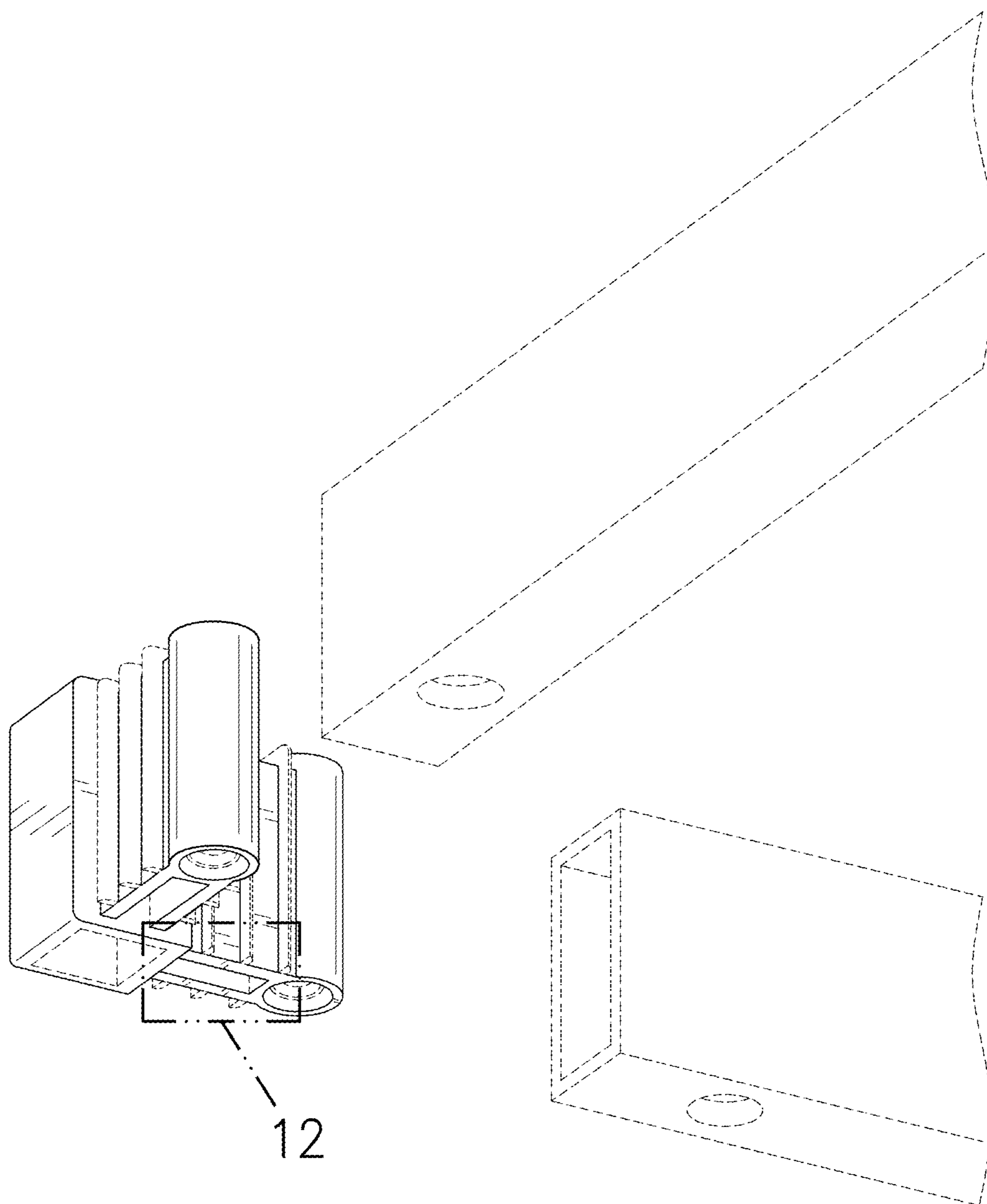


FIG. 10

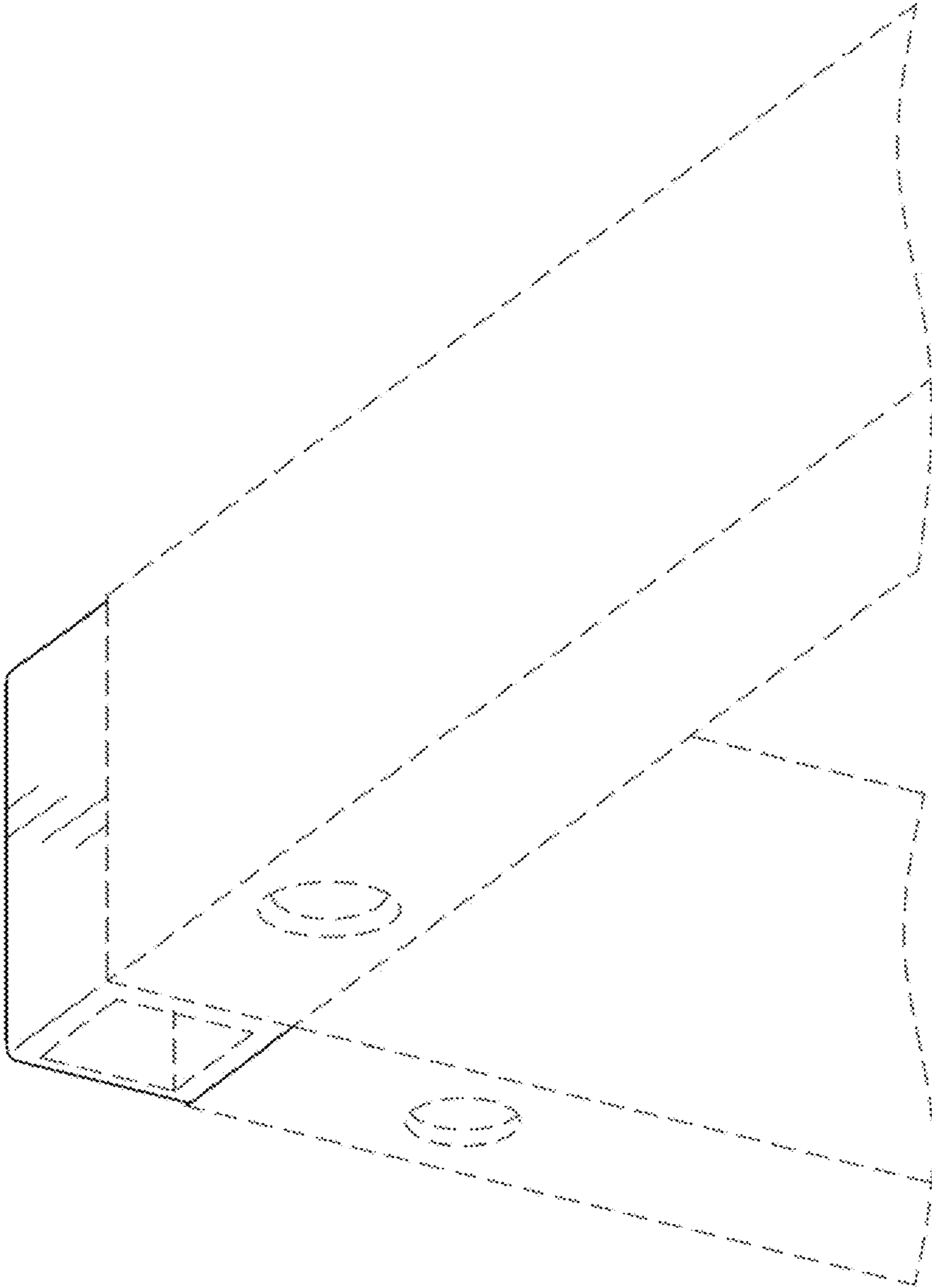


FIG. 11

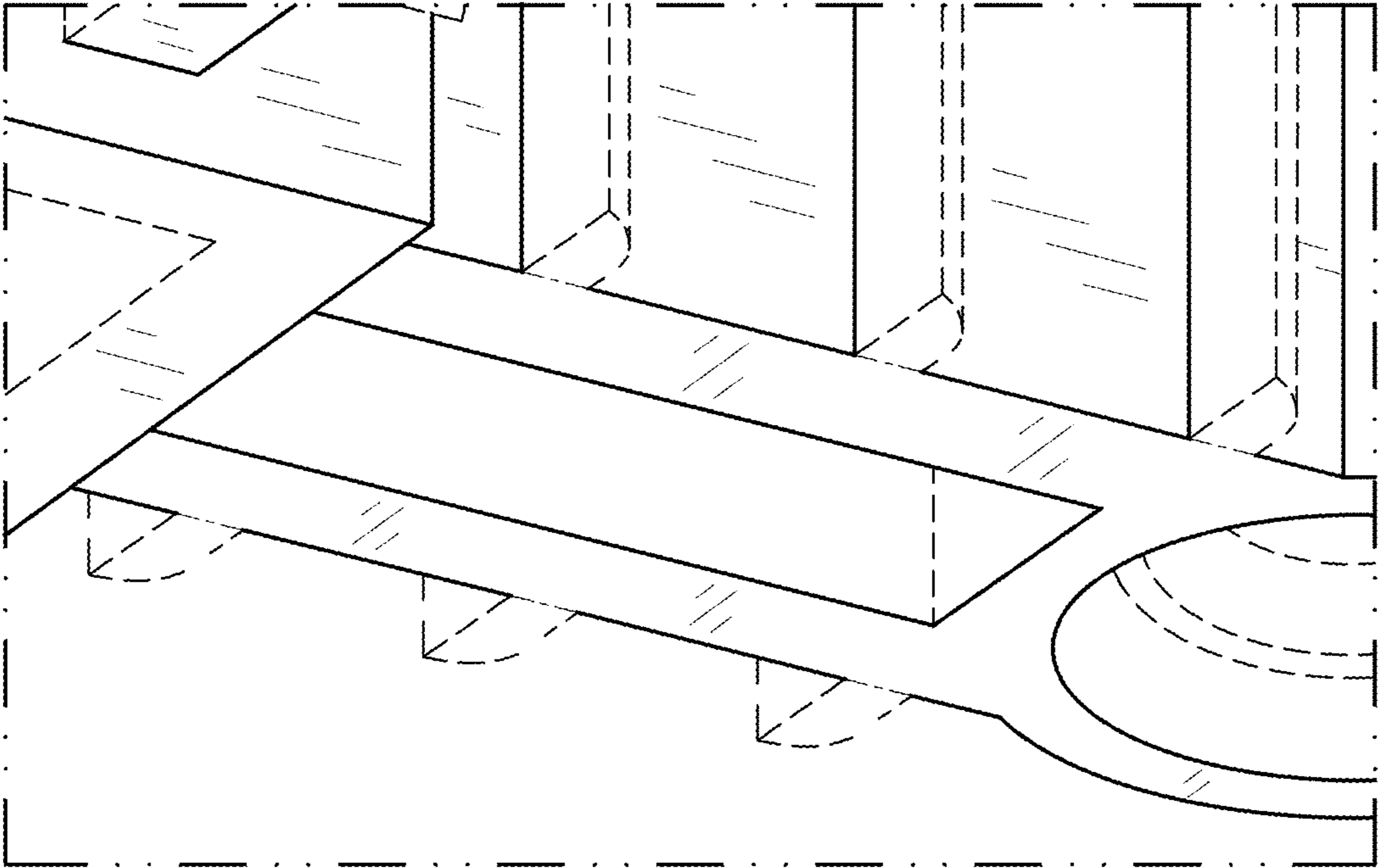


FIG. 12