



US00D937074S

(12) **United States Design Patent** (10) **Patent No.:** **US D937,074 S**
Paik et al. (45) **Date of Patent:** **** Nov. 30, 2021**

(54) **STRING ADJUSTER** D763,671 S * 8/2016 Sizelove D8/394
D770,563 S * 11/2016 Milone G10D 3/14
D17/20
(71) Applicant: **WOOJIN PLASTIC Co., Ltd.**, D770,583 S * 11/2016 Andrews D21/753
Namyangju-si (KR) D777,567 S * 1/2017 Diener D8/394
D785,443 S * 5/2017 Paik D8/356
(72) Inventors: **Ji Sook Paik**, Seoul (KR); **Ji Hye**
Paik, Seoul (KR); **Ji Won Son**, Seoul
(KR); **Nan Hee Paik**, Seoul (KR) 10,455,841 B2 * 10/2019 Heurman A22B 5/0005
10,881,390 B2 * 1/2021 Modesitt A61F 2/2445
10,920,853 B2 * 2/2021 Bisang A63B 21/0555
10,941,835 B2 * 3/2021 Marchant F16G 11/14
2003/0005557 A1 * 1/2003 Renn B65D 63/16
24/115 G
(73) Assignee: **WOOJIN PLASTIC Co., Ltd.**,
Namyangju-si (KR) 2014/0283339 A1 * 9/2014 Gallagher A63B 21/0557
24/115 K
(**) Term: **15 Years** * cited by examiner

(21) Appl. No.: **29/721,158**

(22) Filed: **Jan. 17, 2020**

(30) **Foreign Application Priority Data**

Jul. 23, 2019 (KR) 30-2019-0035222

(51) **LOC (13) Cl.** **08-05**

(52) **U.S. Cl.**
USPC **D8/356**

(58) **Field of Classification Search**
USPC D8/356, 394, 395, 396, 354, 349
CPC F16G 11/14; G10D 3/14; B65D 63/16;
A63B 21/0557; A61F 2/2445
See application file for complete search history.

(56) **References Cited**

U.S. PATENT DOCUMENTS

5,697,128 A * 12/1997 Peregrine F16G 11/14
24/115 G
D670,601 S * 11/2012 Paik D11/218
8,793,842 B2 * 8/2014 Donovan F16G 11/14
24/115 R
9,145,948 B2 * 9/2015 Corio F16G 11/04
D742,722 S * 11/2015 Paik D8/356
D745,380 S * 12/2015 Williams D8/394

Primary Examiner — Cynthia R Underwood
(74) *Attorney, Agent, or Firm* — Paratus Law Group,
PLLC

(57) **CLAIM**

The ornamental design for a string adjuster, as shown and described.

DESCRIPTION

FIG. 1 is a front, top, and right perspective view of a string adjuster, showing the claimed design;
FIG. 2 is a front view thereof;
FIG. 3 is a back view thereof;
FIG. 4 is a left side view thereof;
FIG. 5 is a right side view thereof;
FIG. 6 is a top view thereof;
FIG. 7 is a bottom view thereof;
FIG. 8 is a cross-sectional view taken along line 8-8 shown in FIG. 2; and,
FIG. 9 is a back, top, and left perspective view thereof.
The long dash short dash broken lines and arrows shown in FIG. 2 are used to identify the cross-sectional view and form no part of the claimed design.

1 Claim, 4 Drawing Sheets

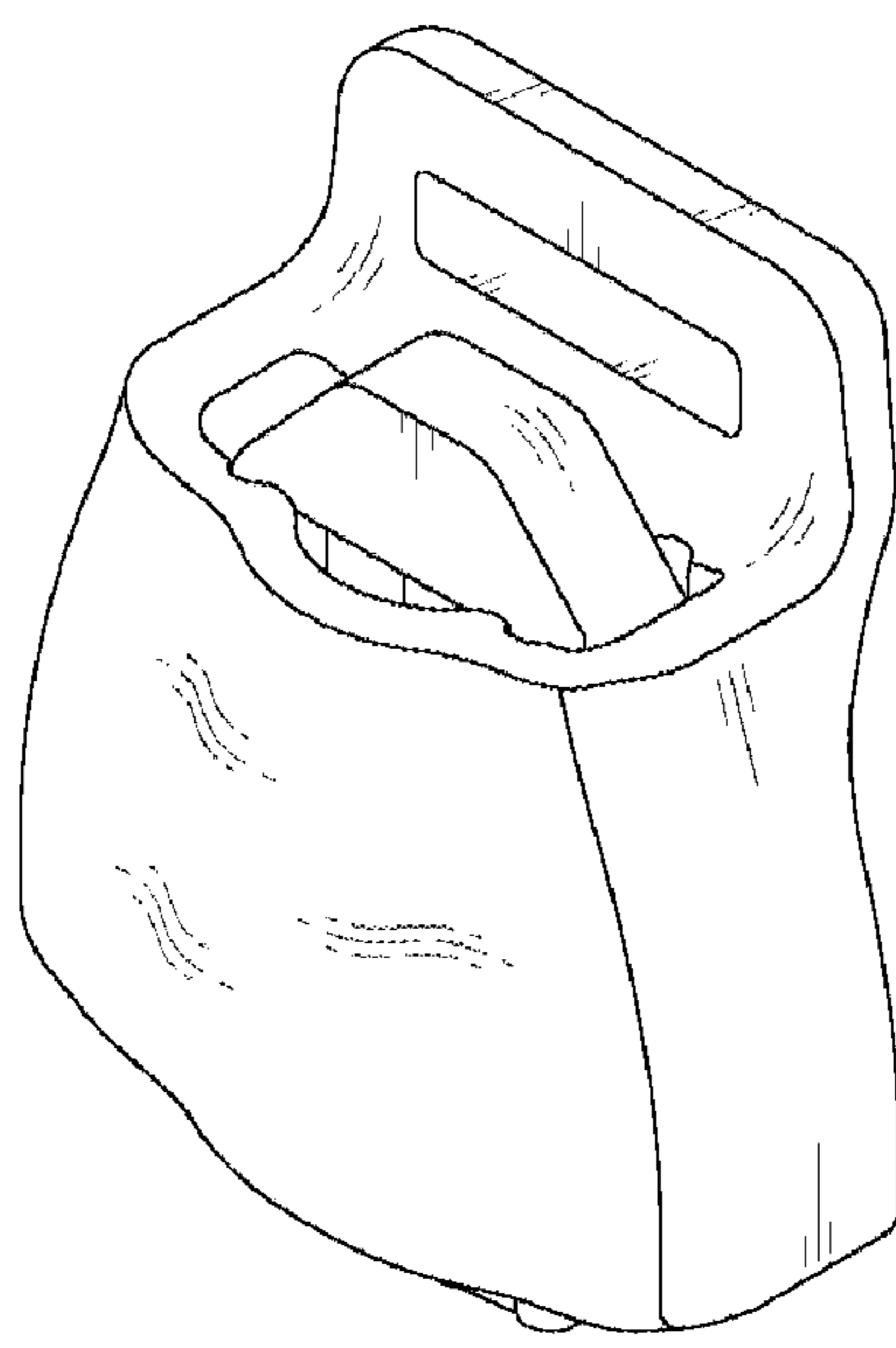


FIG. 1

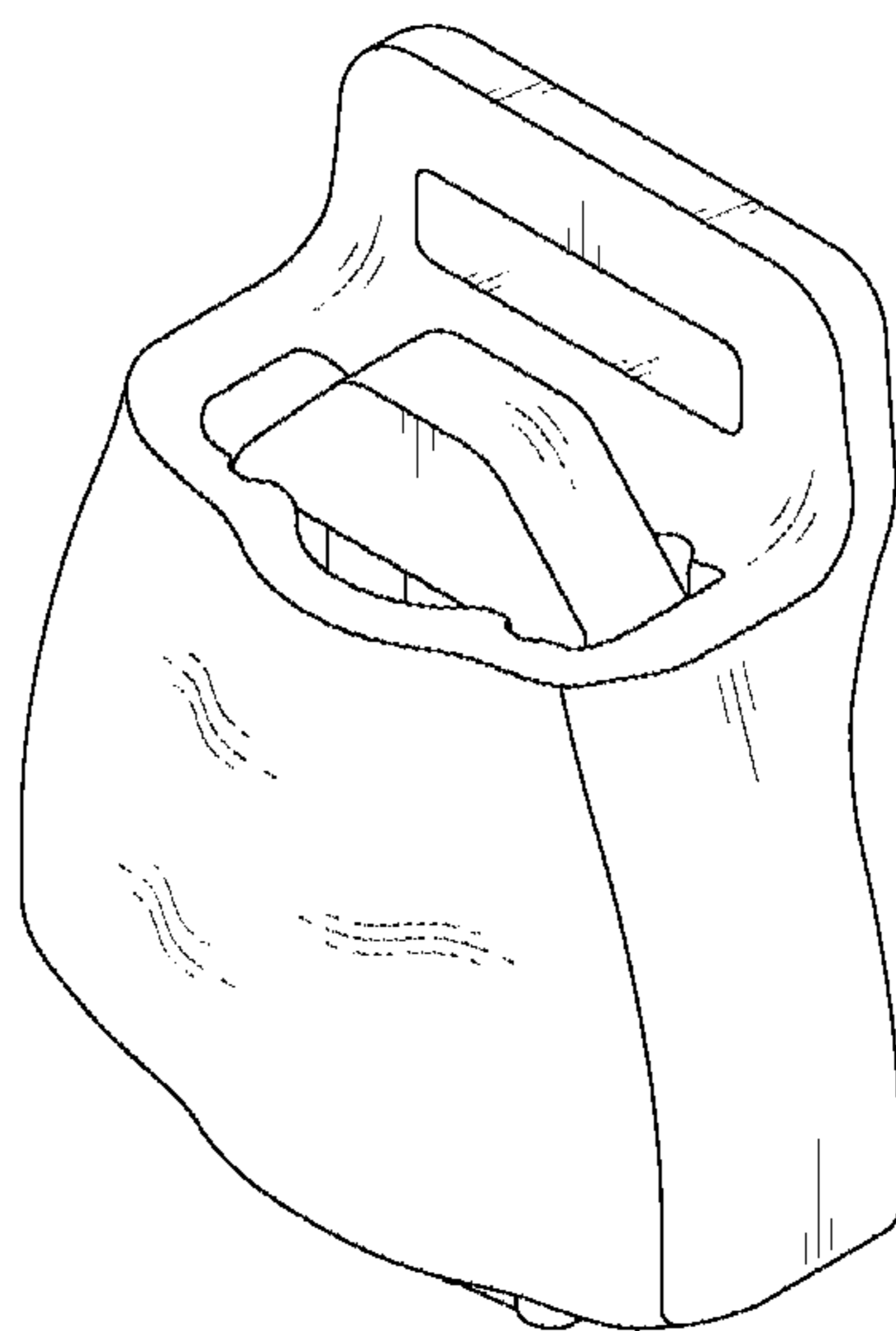


FIG. 2

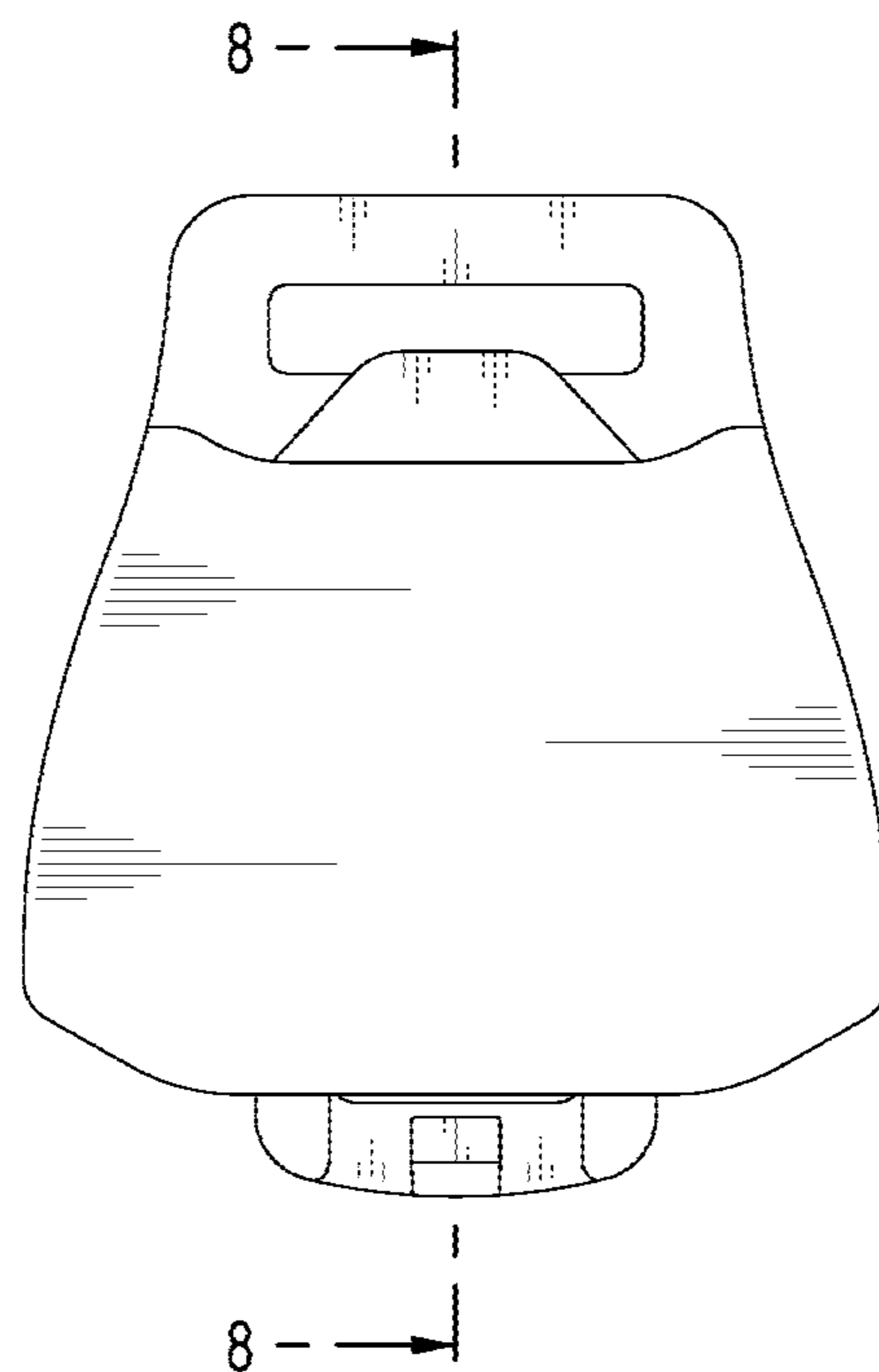


FIG. 3

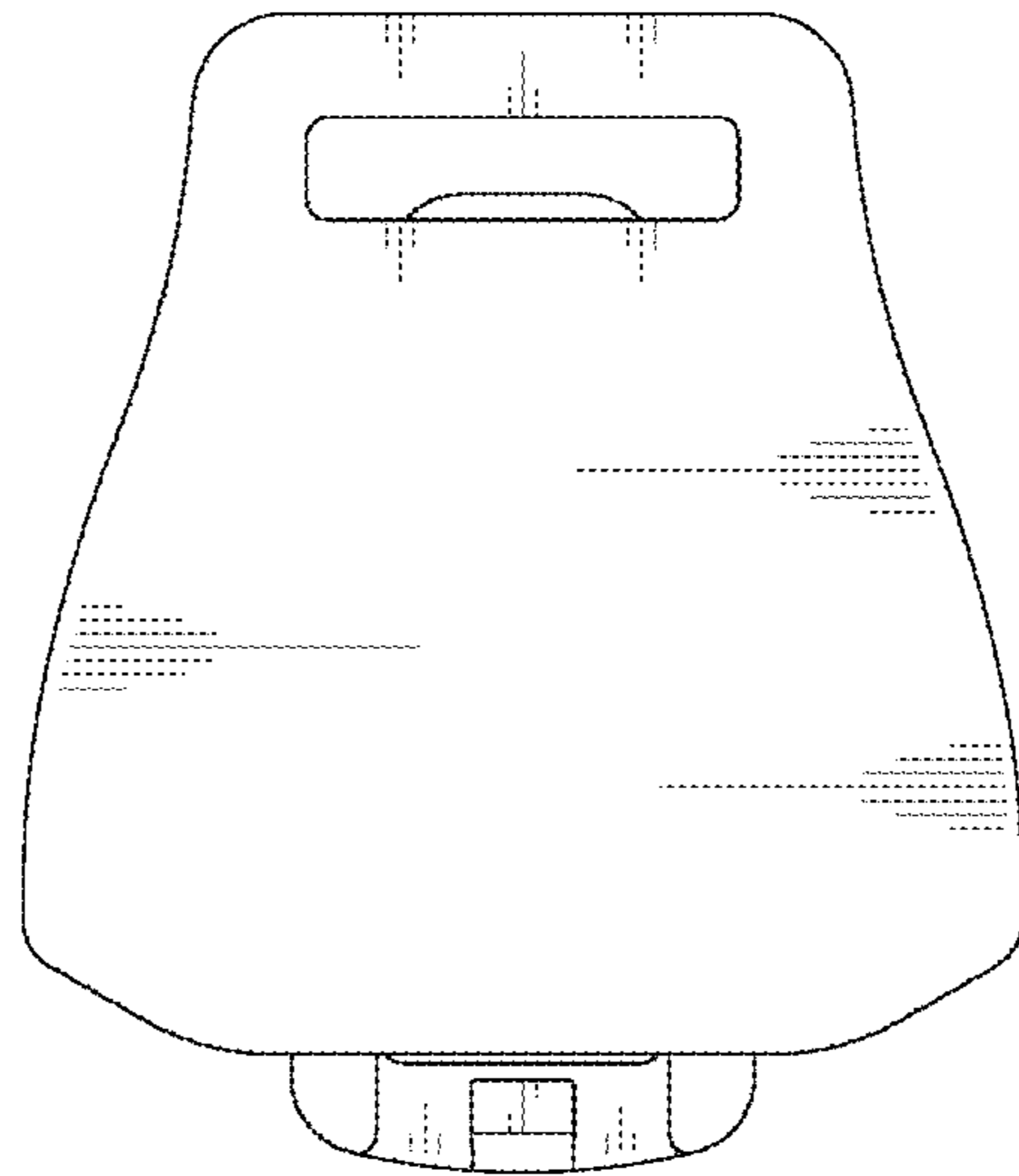


FIG. 4

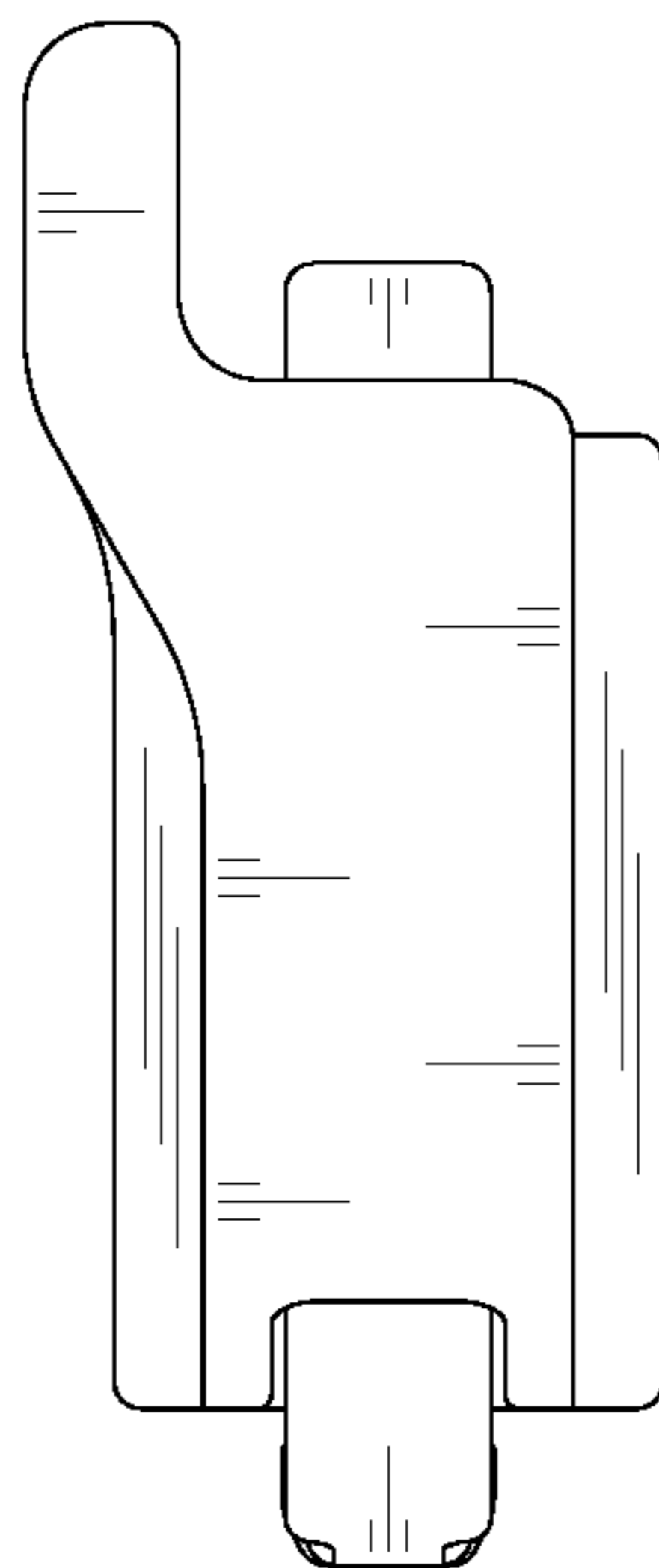


FIG. 5

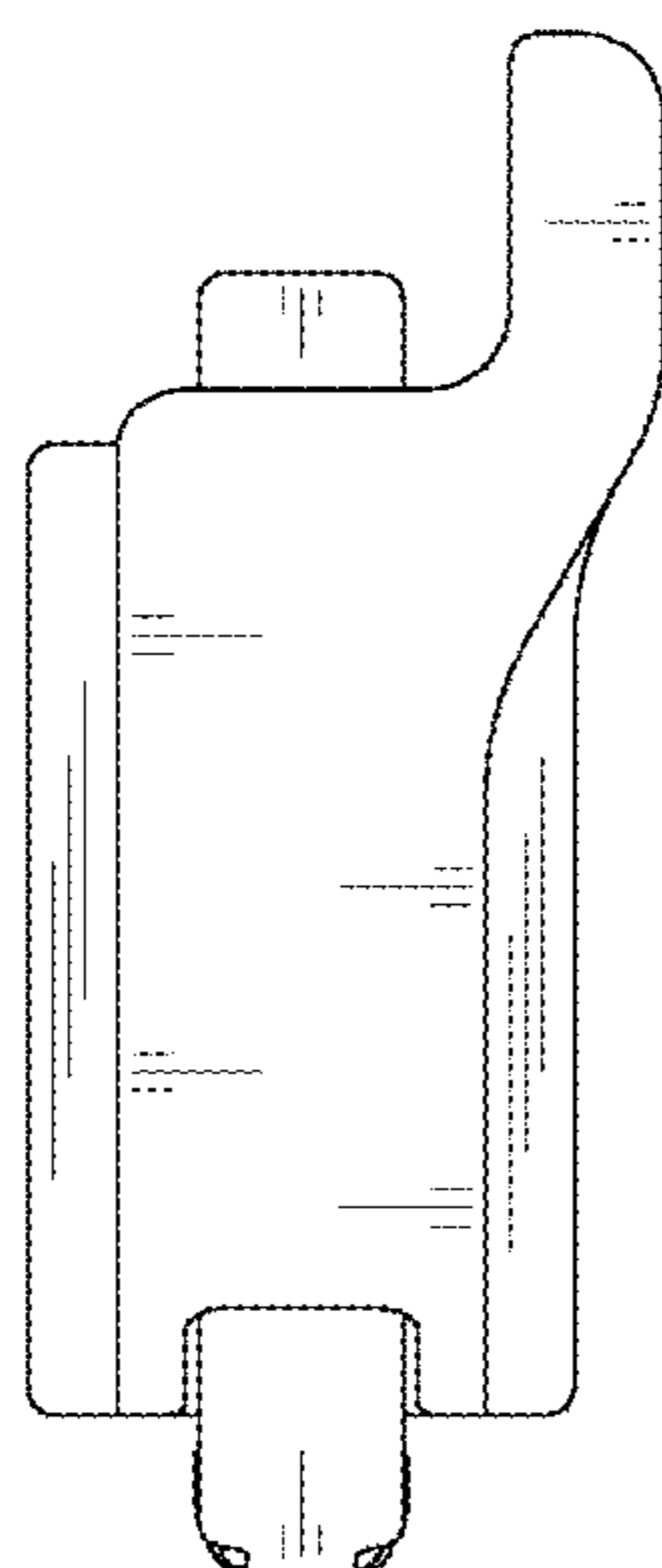


FIG. 6

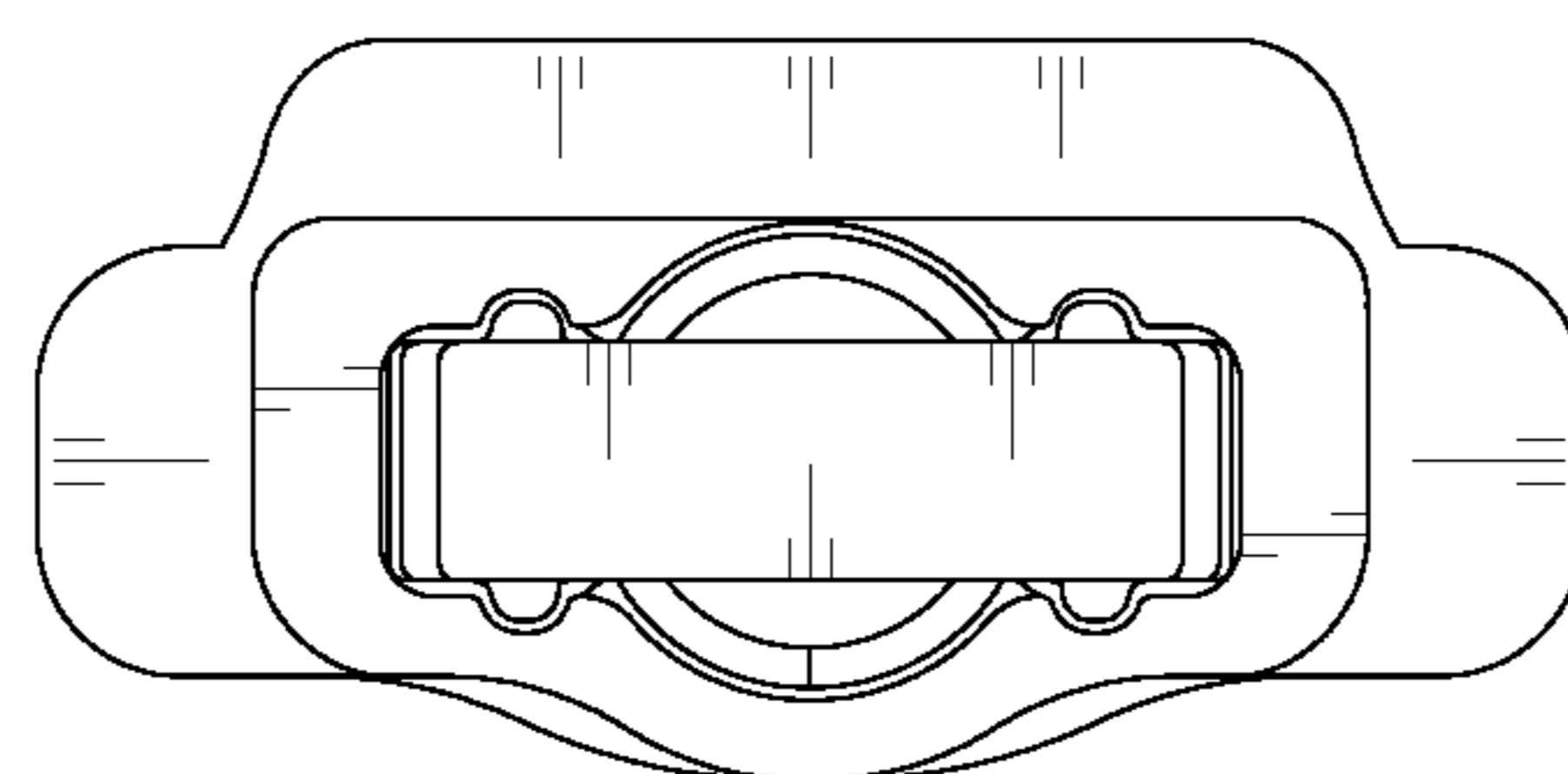


FIG. 7

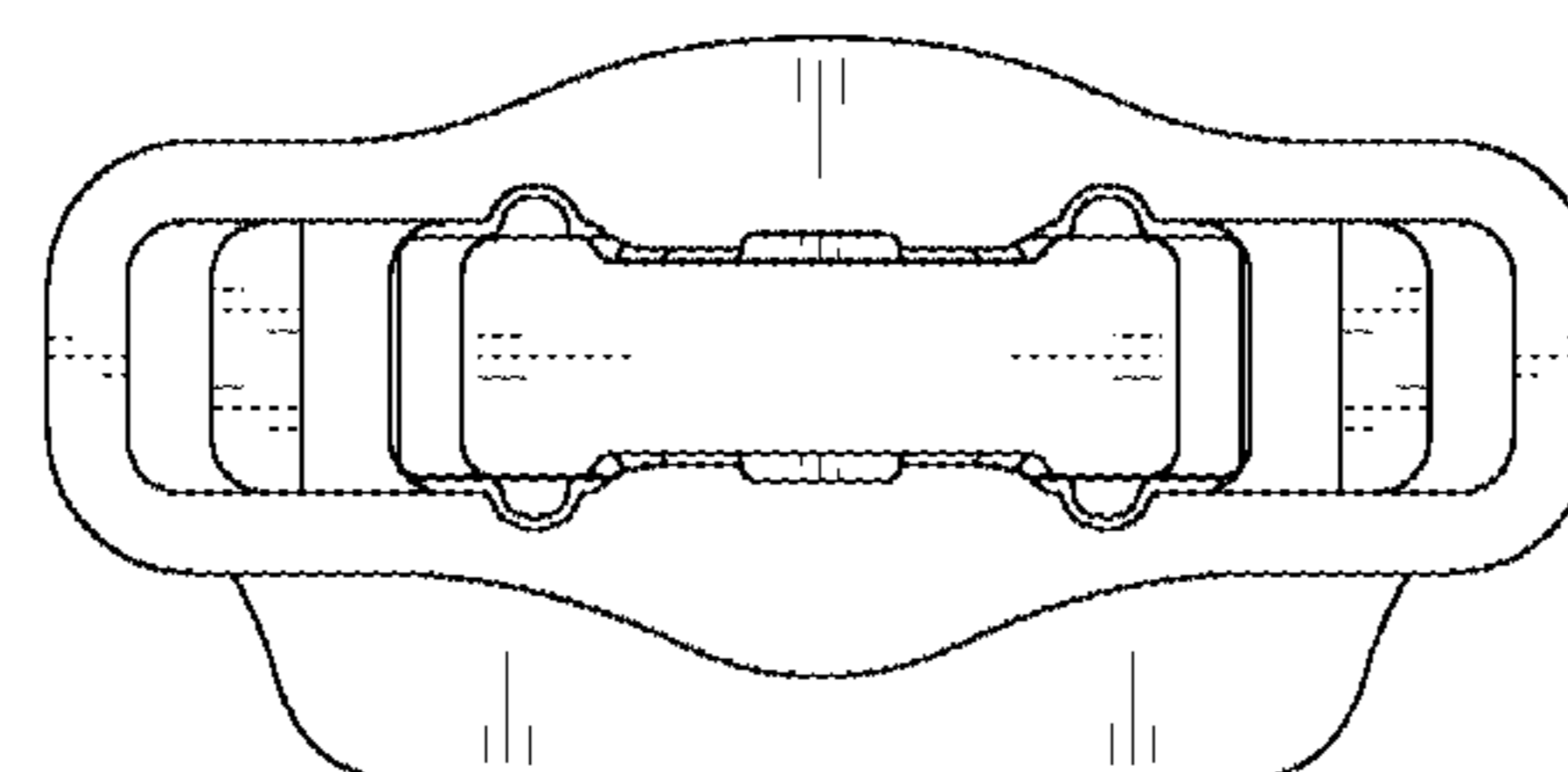


FIG. 8

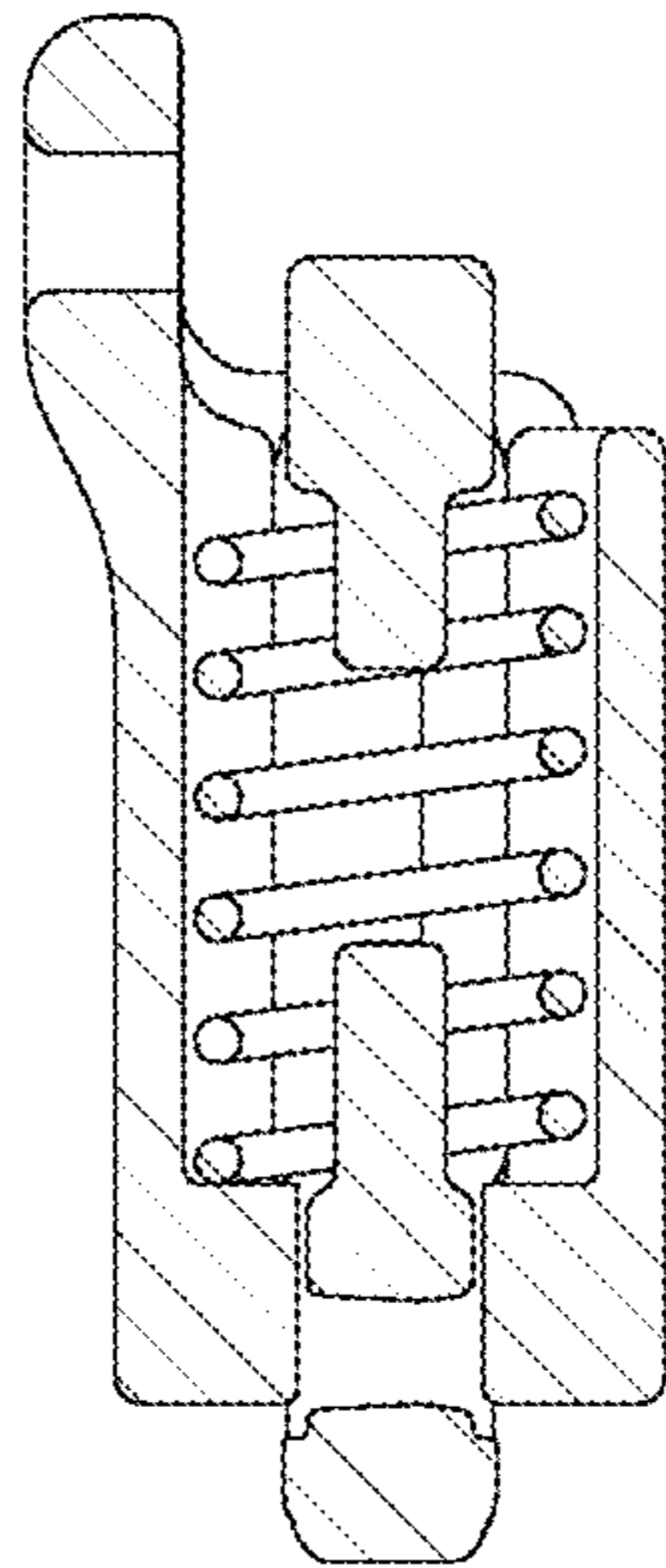


FIG. 9

