



US00D937070S

(12) **United States Design Patent**  
**Pavlov**

(10) **Patent No.:** **US D937,070 S**

(45) **Date of Patent:** **\*\* Nov. 30, 2021**

(54) **MEDIUM UNIVERSAL PLATE BRACKET WITH APERTURES FOR A GAMING CHAIR ASSEMBLY**

D920,435 S \* 5/2021 White ..... D20/43  
D924,665 S \* 7/2021 DeDios-Shirley ..... D8/349  
D924,673 S \* 7/2021 Bean ..... D8/382

(71) Applicant: **Home Racer LLC**, Boynton Beach, FL (US)

**OTHER PUBLICATIONS**

Amazon, OpenWheeler GEN3 Racing Wheel Stand, Mar. 2, 2016 (Year: 2016).\*

(72) Inventor: **Dimitar Maldenov Pavlov**, Boynton Beach, FL (US)

\* cited by examiner

(73) Assignee: **HOME RACER LLC**, Boynton Beach, FL (US)

*Primary Examiner* — Mark A Goodwin  
*Assistant Examiner* — Benjamin M Weeks

(\*\*) Term: **15 Years**

(74) *Attorney, Agent, or Firm* — Mark C. Johnson; Johnson Dalal

(21) Appl. No.: **29/708,074**

(57) **CLAIM**

The ornamental design for a medium universal plate bracket with apertures for a gaming chair assembly, as shown and described.

(22) Filed: **Oct. 2, 2019**

(51) **LOC (13) Cl.** ..... **08-05**

(52) **U.S. Cl.**  
USPC ..... **D8/354**

**DESCRIPTION**

(58) **Field of Classification Search**  
USPC ..... D8/354, 387, 358, 356, 363–366, 371  
CPC ..... F16M 11/045; F16M 11/048; F16M 13/00  
See application file for complete search history.

FIG. 1 is a perspective view of a medium universal plate bracket with apertures for a gaming chair assembly in accordance with the present invention;  
FIG. 2 is an elevational left-side view (of which the elevational right-side view is the same) of the medium universal plate bracket with apertures for a gaming chair assembly in FIG. 1;

(56) **References Cited**

**U.S. PATENT DOCUMENTS**

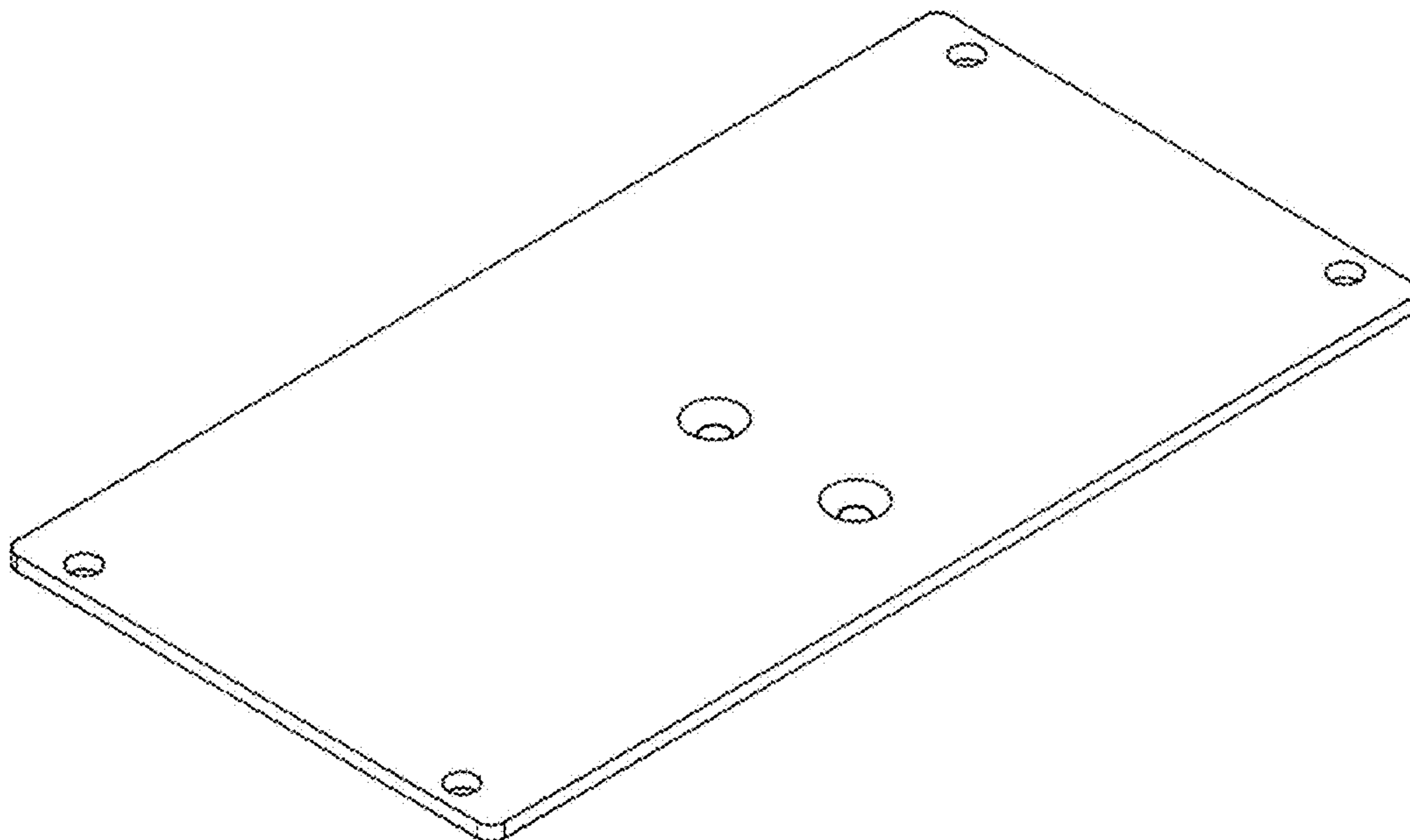
D423,328 S \* 4/2000 Burrows ..... D8/354  
D425,070 S \* 5/2000 Johnson ..... D14/239  
D534,904 S \* 1/2007 Crawford ..... D14/238  
D561,189 S \* 2/2008 Wohlford ..... D14/451  
D820,665 S \* 6/2018 DeDios-Shirley ..... D8/354  
D823,093 S \* 7/2018 Kanter ..... D8/354  
D830,812 S \* 10/2018 Kanter ..... D8/354  
D832,970 S \* 11/2018 Jen ..... D22/108  
D852,788 S \* 7/2019 Kanter ..... D14/238  
D906,095 S \* 12/2020 DeDios-Shirley ..... D8/354  
D913,078 S \* 3/2021 Pavlov ..... D8/349

FIG. 3 is an elevational front view (of which the elevational rear view is the same) of the medium universal plate bracket with apertures for a gaming chair assembly in FIG. 1;

FIG. 4 is a top plan view of the medium universal plate bracket with apertures for a gaming chair assembly in FIG. 1; and,

FIG. 5 is a bottom plan view of the medium universal plate bracket with apertures for a gaming chair assembly in FIG. 1.

**1 Claim, 4 Drawing Sheets**



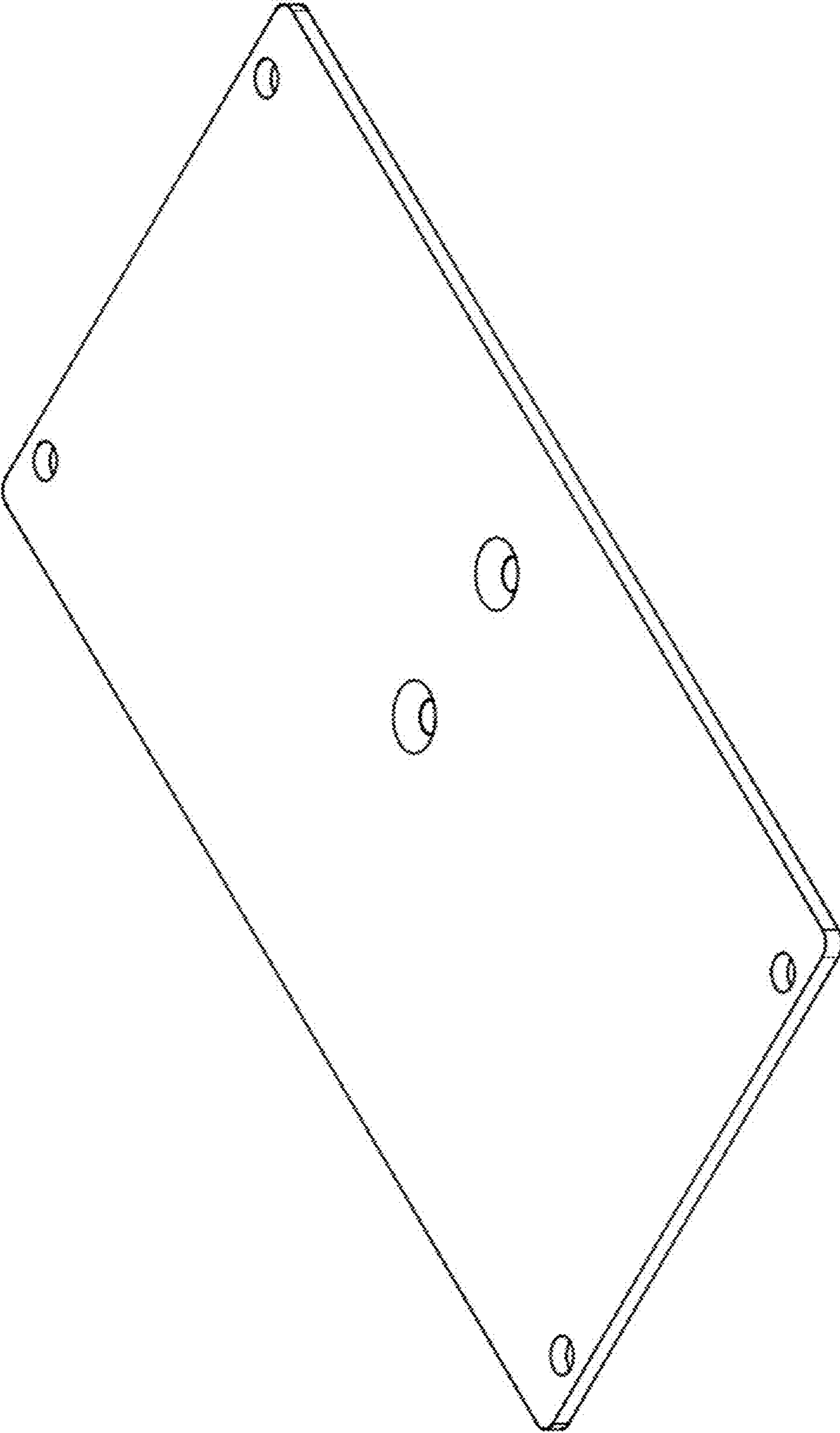


FIG. 1



**FIG. 2**



**FIG. 3**

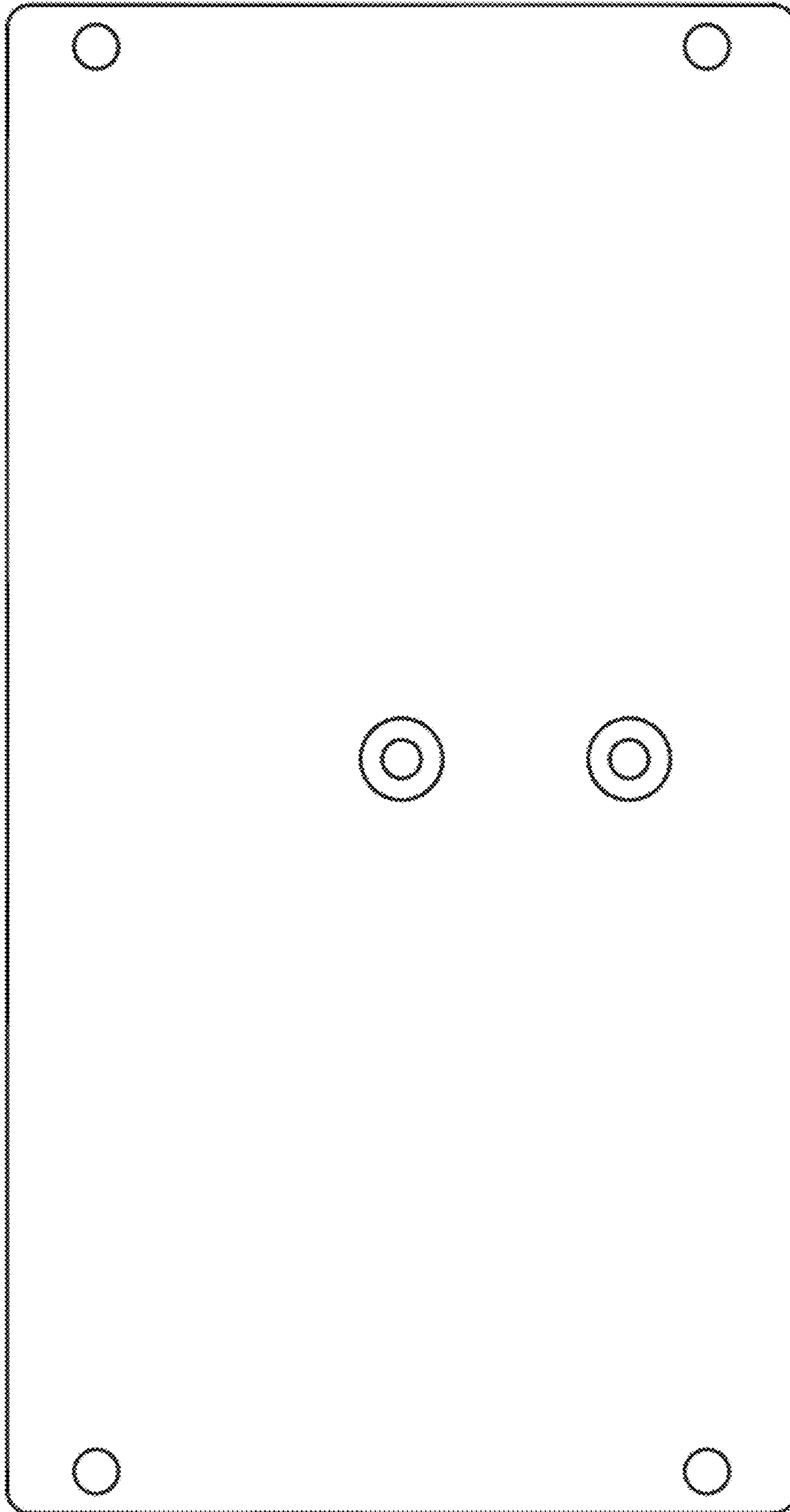


FIG. 4

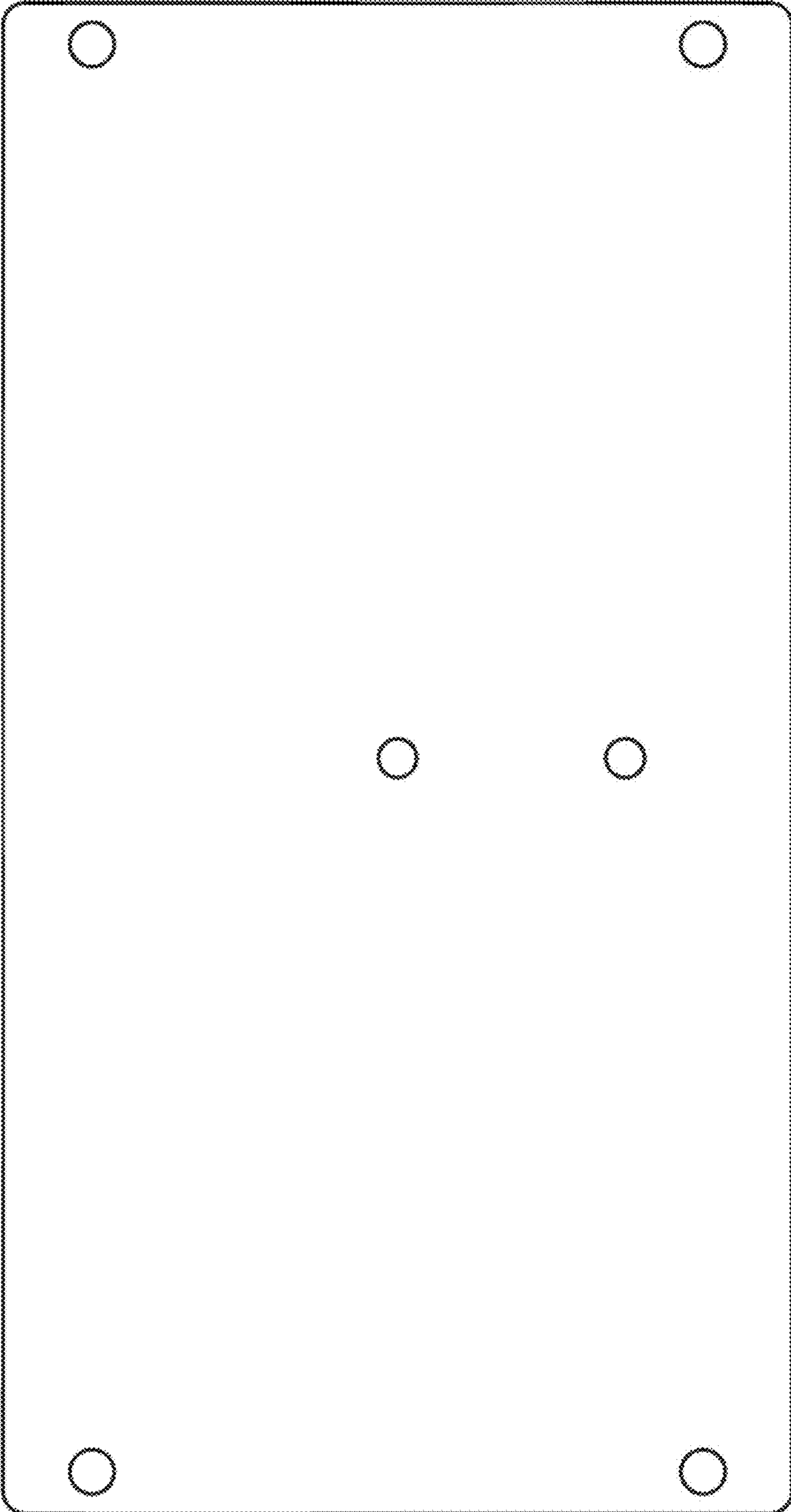


FIG. 5