



US00D937069S

(12) **United States Design Patent**
Zheng

(10) **Patent No.:** **US D937,069 S**

(45) **Date of Patent:** **** Nov. 30, 2021**

(54) **PADLOCK**

(56) **References Cited**

(71) Applicant: **ZHEJIANG PUJIANG
PLUM-BLOSSOM LOCK
INDUSTRY (GROUP) CO., LTD.,
Pujiang (CN)**

(72) Inventor: **Yongjin Zheng, Pujiang (CN)**

(73) Assignee: **ZHEJIANG PUJIANG
PLUM-BLOSSOM LOCK
INDUSTRY (GROUP) CO., LTD.,
Pujiang (CN)**

(**) Term: **15 Years**

(21) Appl. No.: **29/734,230**

(22) Filed: **May 11, 2020**

(30) **Foreign Application Priority Data**

Dec. 19, 2019 (CN) 201930711417.2

(51) **LOC (13) Cl.** **08-07**

(52) **U.S. Cl.**
USPC **D8/334**

(58) **Field of Classification Search**
USPC D25/334
CPC E05B 47/00; E05B 67/06; E05B 67/00;
E05B 67/22; E05B 67/02; E05B 67/04;
Y10T 292/087; Y10T 70/413; Y10T
70/428; Y10T 70/438; Y10T 70/433
See application file for complete search history.

U.S. PATENT DOCUMENTS

D543,832 S * 6/2007 Tsui D8/334
D683,611 S * 6/2013 Walter D8/334
9,121,199 B2 * 9/2015 Li E05B 47/06
D746,659 S * 1/2016 Stevens D8/334
D761,636 S * 7/2016 Little D8/334
9,556,651 B1 * 1/2017 Cabral Herrera ... E05B 47/0012

* cited by examiner

Primary Examiner — Doris Clark

(74) *Attorney, Agent, or Firm* — WPAT, PC

(57) **CLAIM**

The ornamental design for a padlock, as shown and described.

DESCRIPTION

FIG. 1 is a perspective view of a padlock, showing my new design;

FIG. 2 is a front view thereof;

FIG. 3 is a rear view thereof;

FIG. 4 is a left side view thereof;

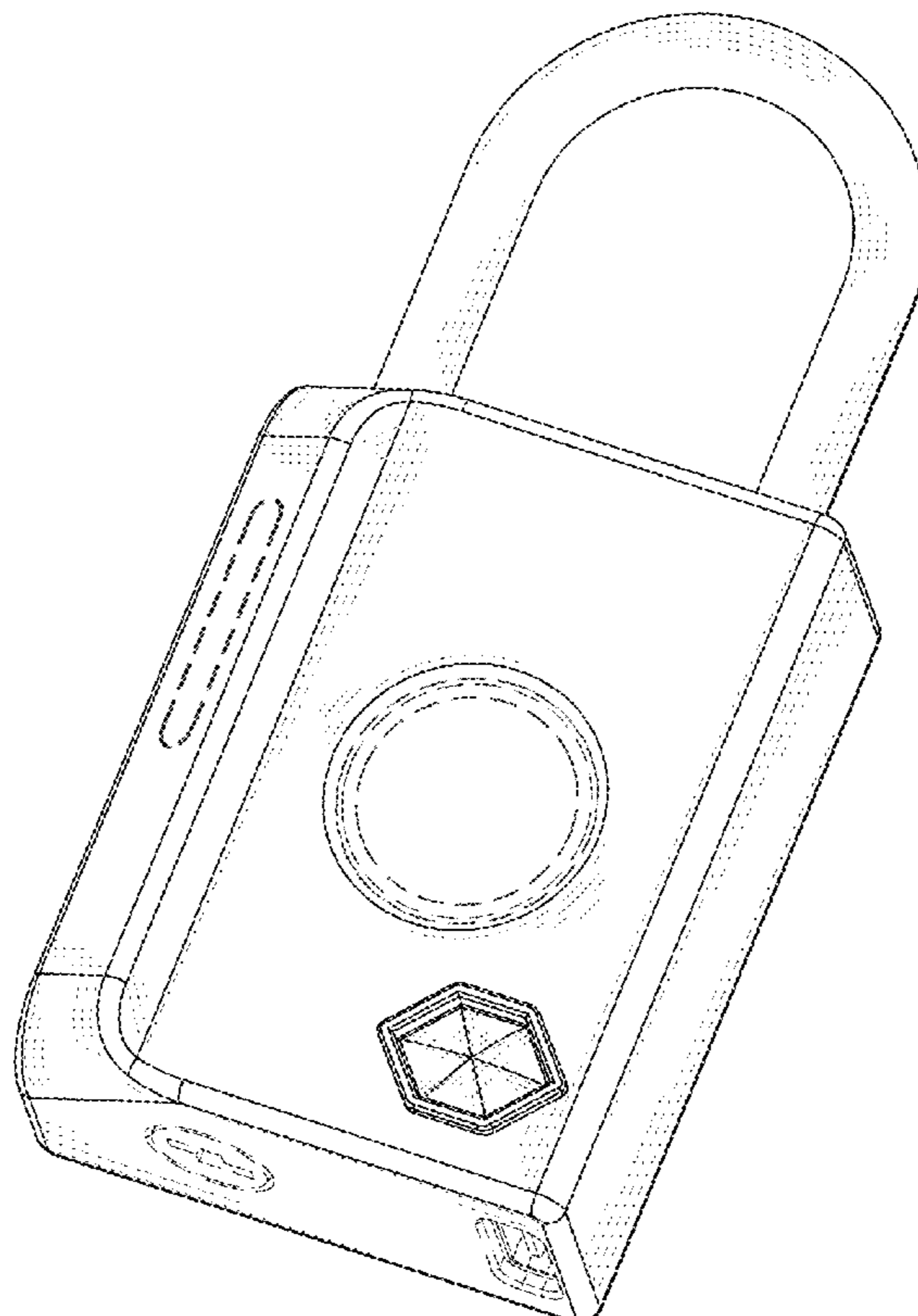
FIG. 5 is a right side view thereof;

FIG. 6 is a top plan view thereof; and,

FIG. 7 is a bottom plan view thereof.

The broken line shown are included for the purpose of illustrating portions of the padlock which form no part of the claimed design.

1 Claim, 5 Drawing Sheets



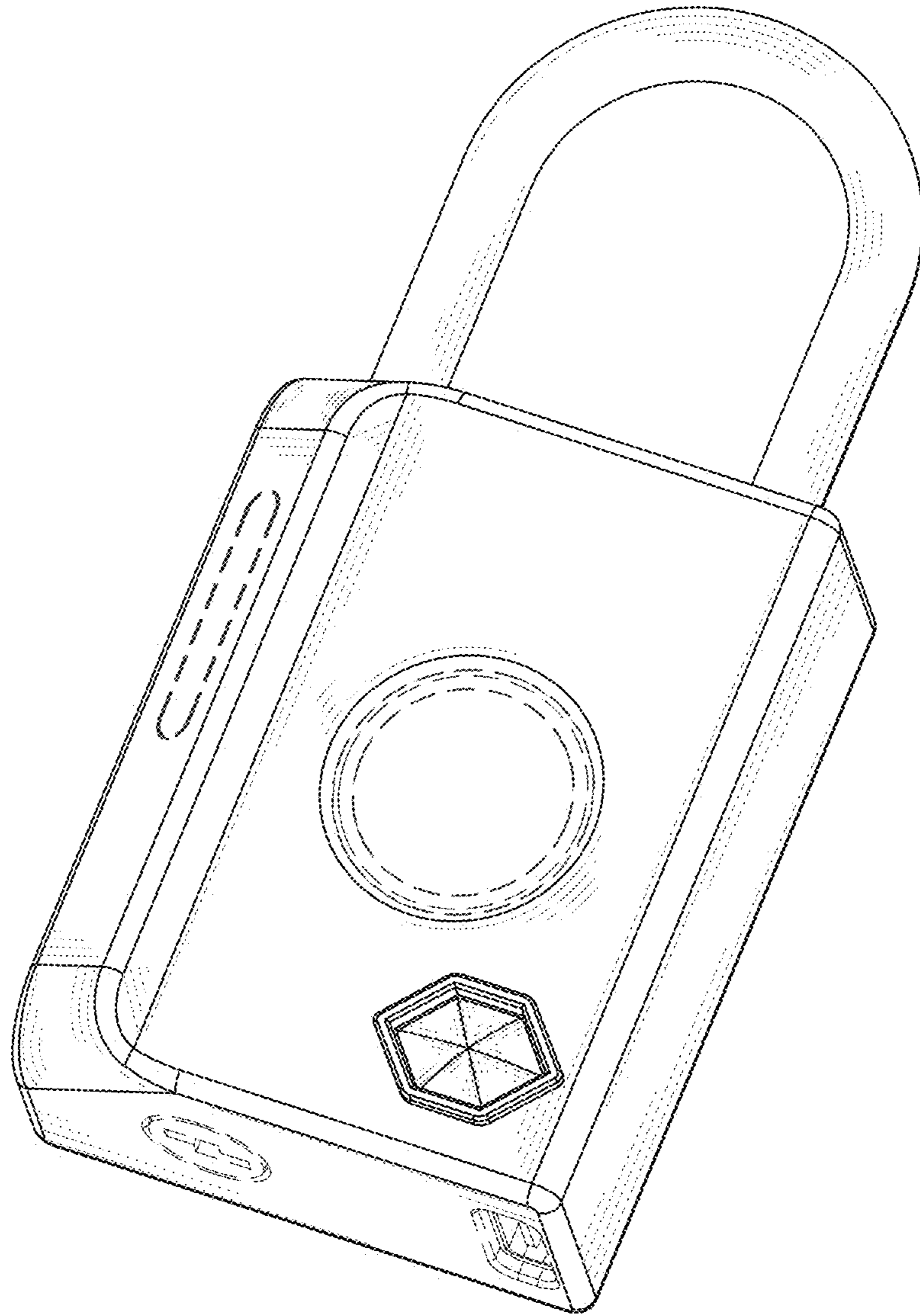


FIG. 1

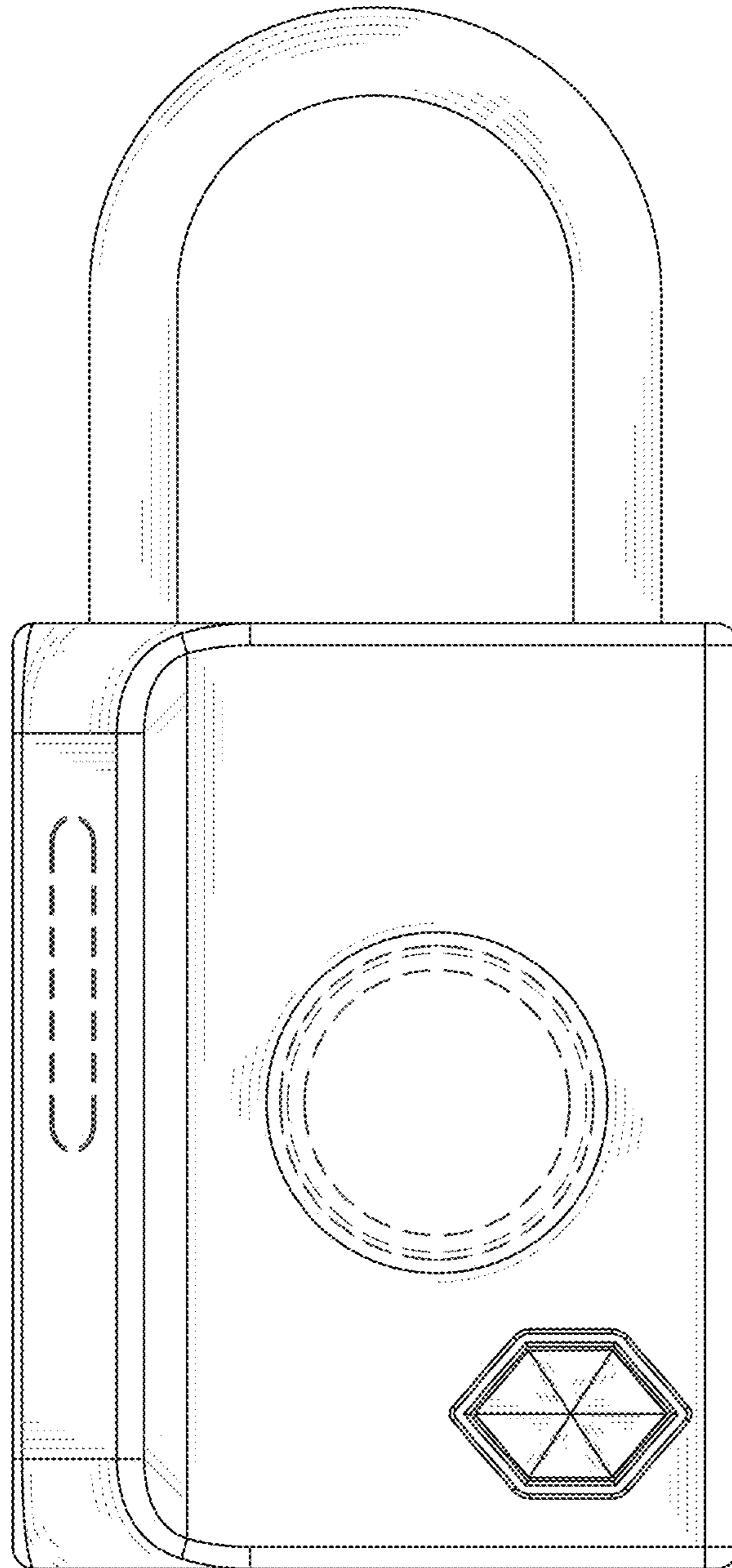


FIG. 2

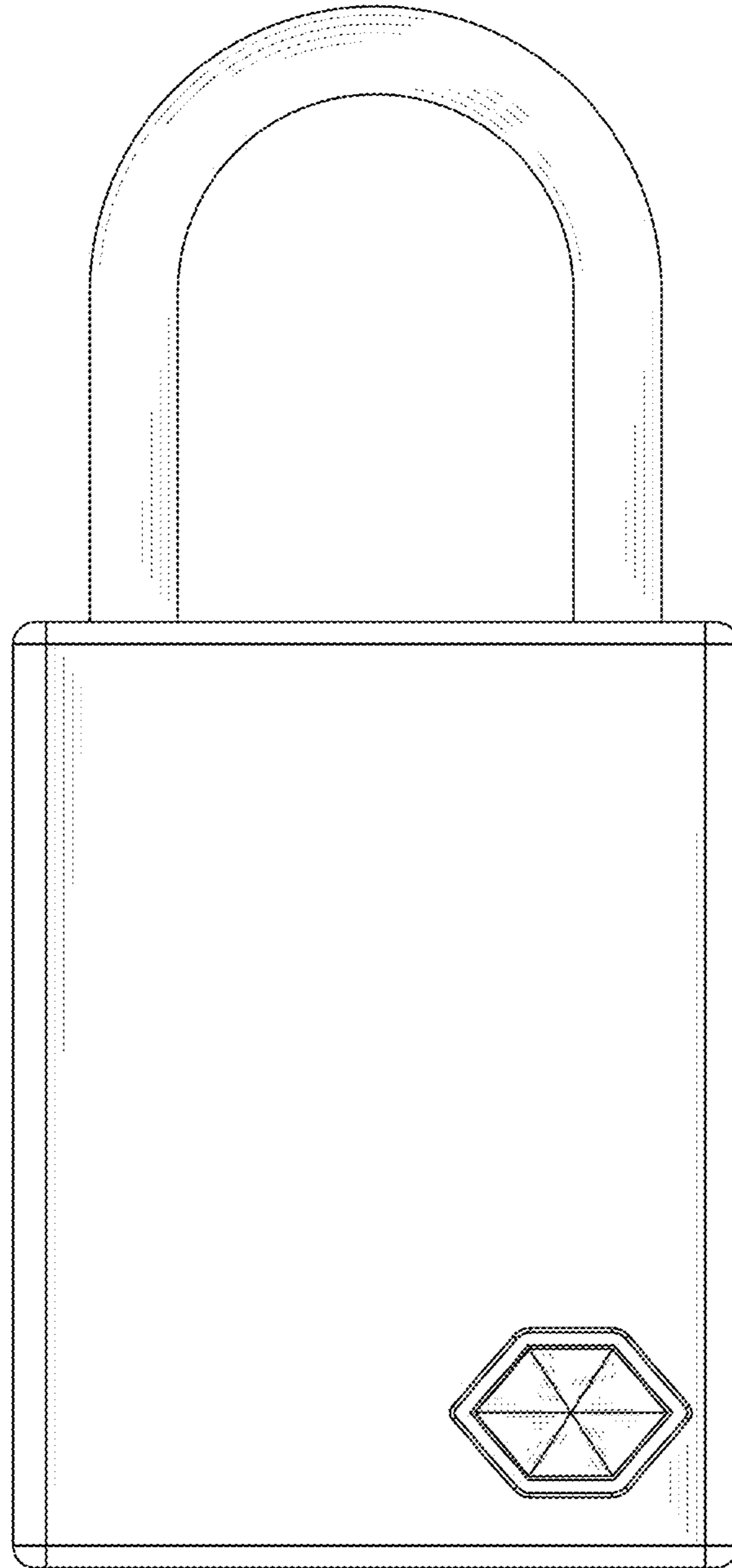


FIG. 3

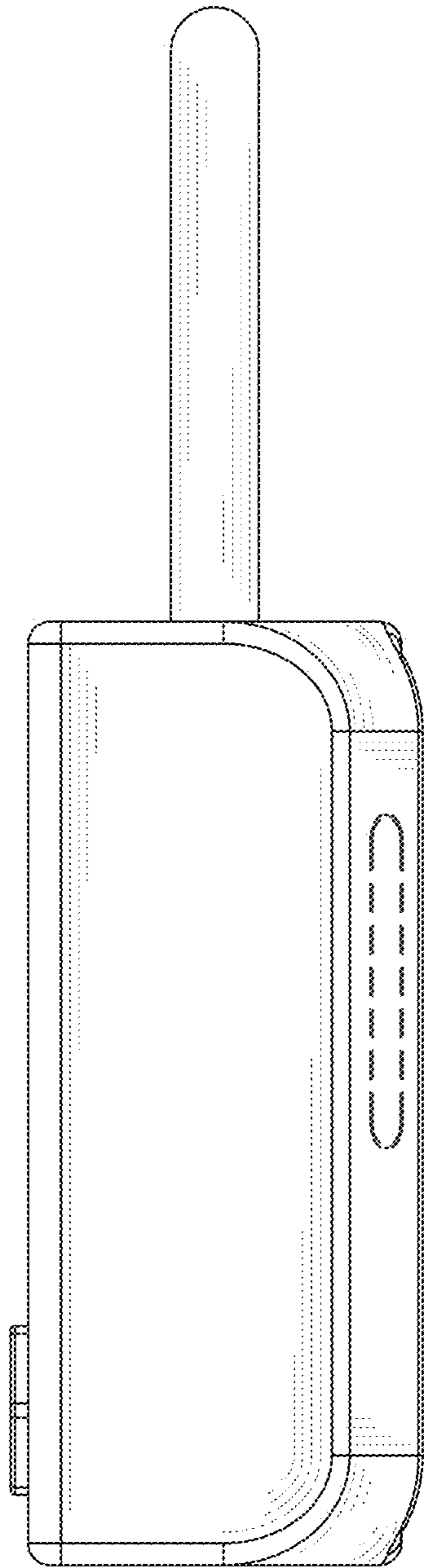


FIG. 4

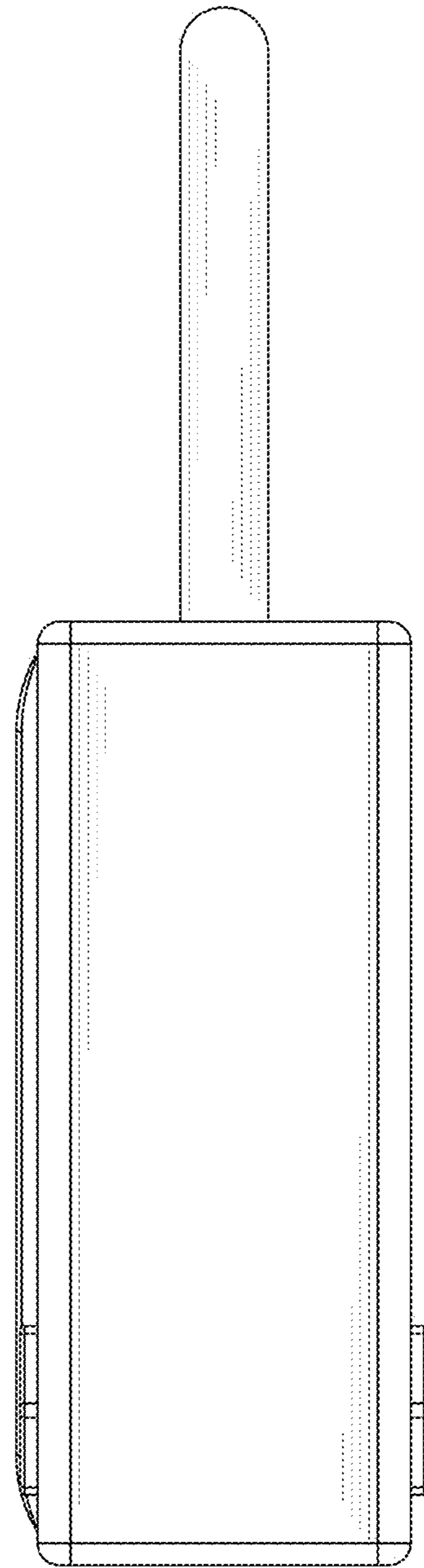


FIG. 5

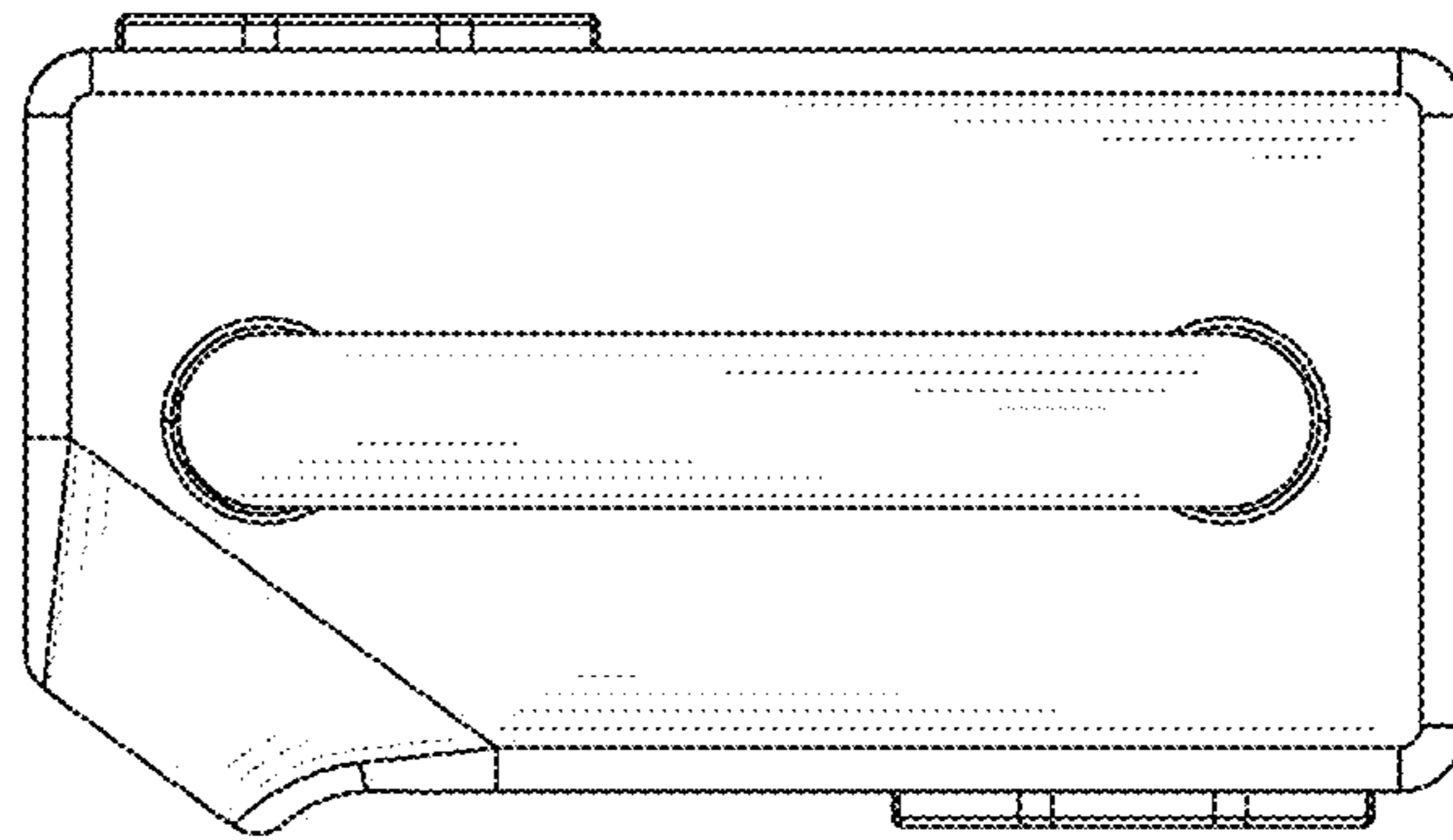


FIG. 6

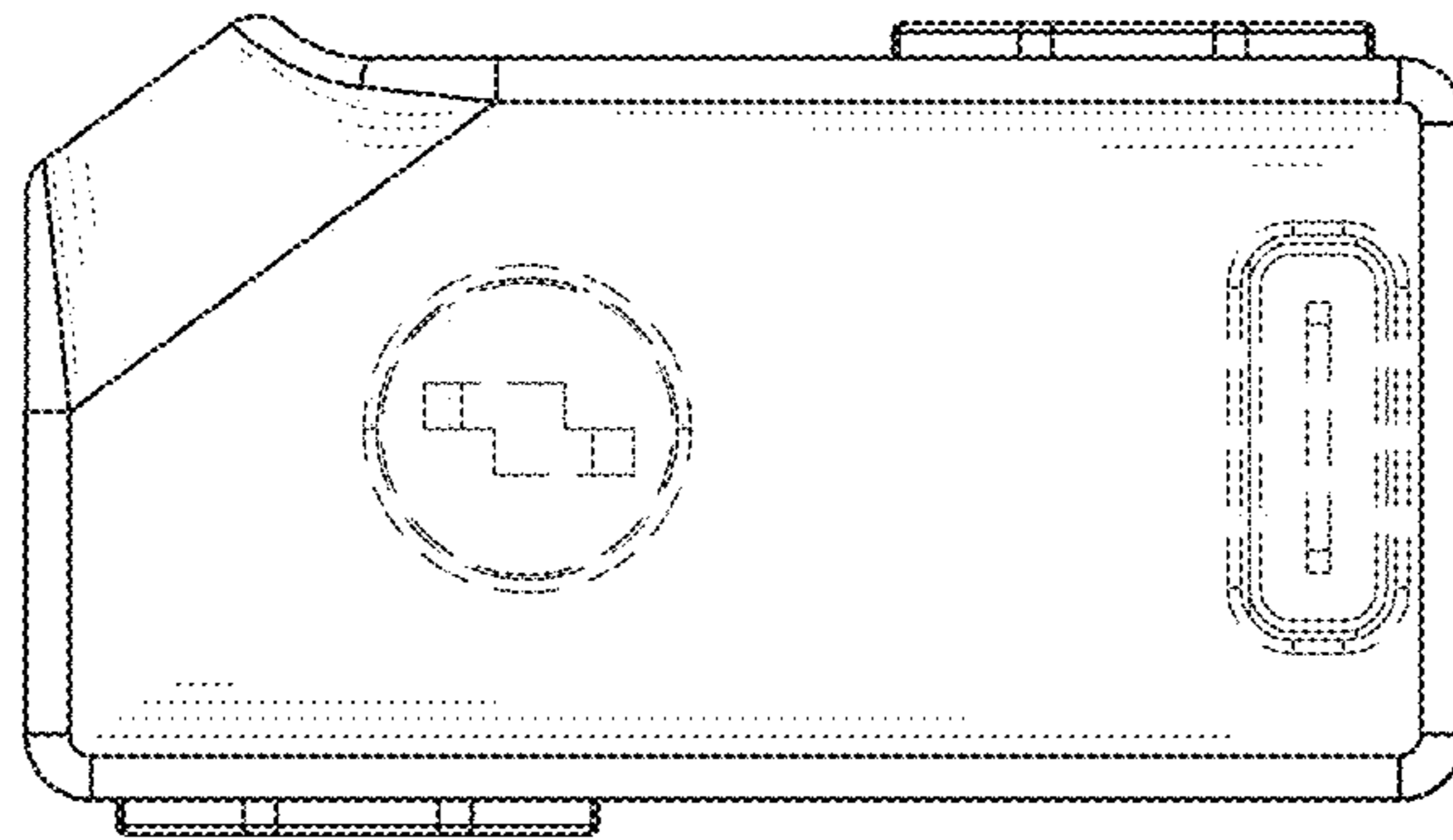


FIG. 7