



US00D937068S

(12) **United States Design Patent** (10) **Patent No.:** **US D937,068 S**  
**Timmermann et al.** (45) **Date of Patent:** **\*\* Nov. 30, 2021**

(54) **LOCKING DEVICE** 5,263,671 A \* 11/1993 Baum ..... B62J 11/00  
24/543

(71) Applicant: **HARTING Electric GmbH & Co. KG**, Espelkamp (DE) 5,658,162 A \* 8/1997 Harting ..... H01R 13/62966  
439/372

(72) Inventors: **Finn Timmermann**, Lubbecke (DE); **Ensign Wen**, Zhuhai (CN) D393,797 S \* 4/1998 Kostigian ..... D32/64  
D458,942 S \* 6/2002 Balemi ..... D15/28  
D560,471 S \* 1/2008 Short ..... D8/354  
D576,474 S \* 9/2008 Given ..... D8/367  
D585,628 S \* 2/2009 Yang ..... D2/623  
D599,198 S \* 9/2009 Balemi ..... E05B 3/003  
D8/382

(73) Assignee: **Harting Electric GmbH & Co. KG**, Espelkamp (DE) D604,589 S \* 11/2009 Johansson ..... D8/356  
7,717,723 B2 \* 5/2010 Nehm ..... H01R 13/62955  
439/157

(\*\*) Term: **15 Years** 7,784,159 B2 \* 8/2010 Dickinson ..... F16B 21/075  
24/295

(21) Appl. No.: **35/509,513** 7,785,131 B2 \* 8/2010 Ferderer ..... H01R 13/62933  
439/372

(22) Filed: **Nov. 27, 2019** 7,942,688 B2 \* 5/2011 Ferderer ..... H01R 13/62966  
439/372

(80) **Hague Agreement Data** D654,784 S \* 2/2012 Paik ..... H01R 13/62955  
D8/383

Int. Filing Date: **Nov. 27, 2019**  
Int. Reg. No.: **DM/204995**  
Int. Reg. Date: **Nov. 27, 2019**  
Int. Reg. Pub. Date: **May 29, 2020**

(Continued)

*Primary Examiner* — Karen S Acker  
(74) *Attorney, Agent, or Firm* — Seed IP Law Group LLP

(30) **Foreign Application Priority Data**  
Jul. 8, 2019 (DE) ..... 402019100725.3

(51) **LOC (13) Cl.** ..... **08-07**

(52) **U.S. Cl.**  
USPC ..... **D8/330**; D8/349

(58) **Field of Classification Search**  
USPC ..... D7/300, 301, 306, 309, 311, 312, 313,  
D7/332, 337, 339, 347, 348, 352, 362,  
D7/367, 368, 376, 377, 378, 379, 381,  
D7/383, 399, 407, 409, 510, 523, 543,  
D7/532, 538, 665; D15/199  
CPC .. A47J 31/44; A47J 31/52; A47J 43/04; A47J  
43/044  
See application file for complete search history.

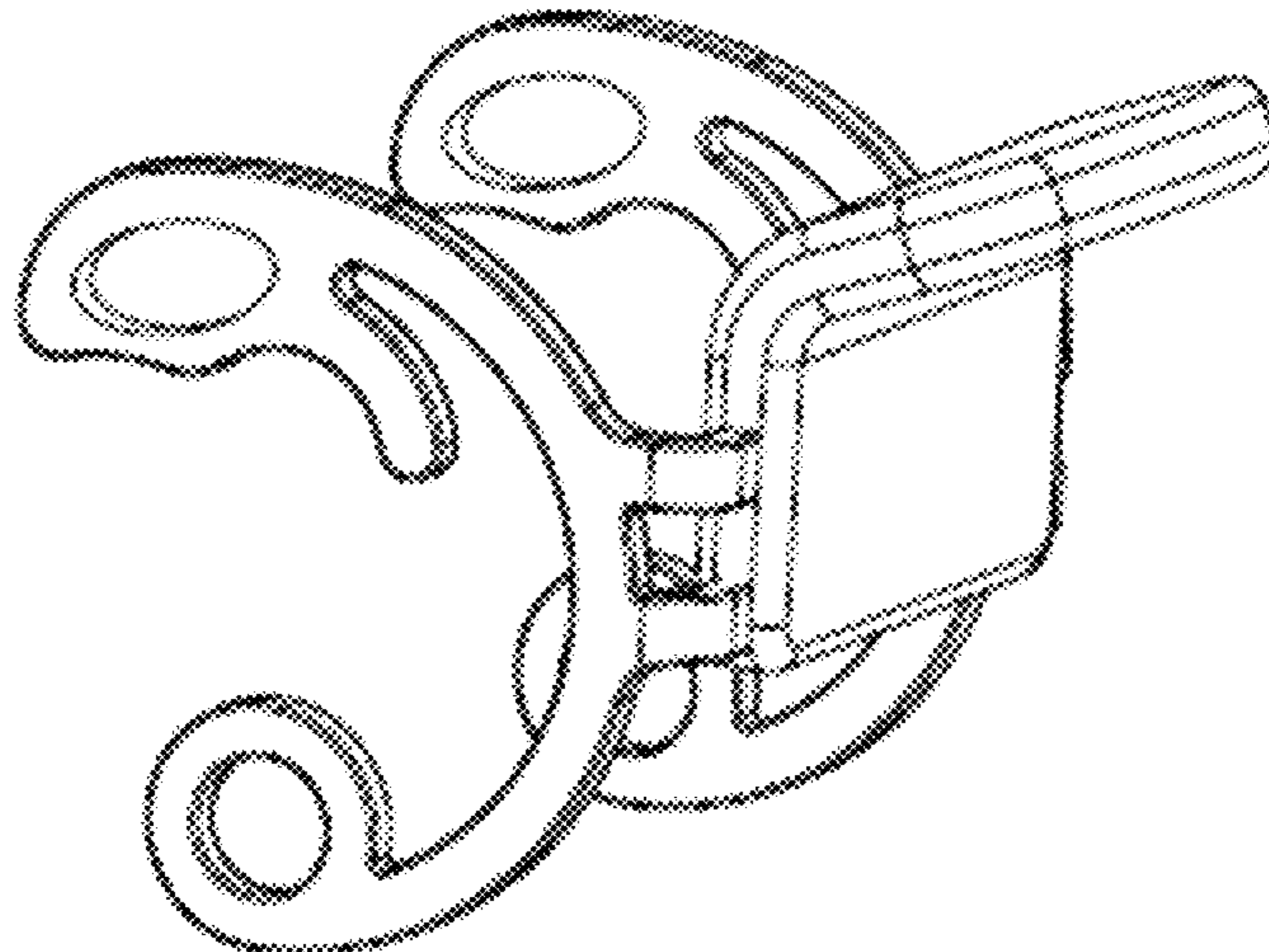
(57) **CLAIM**  
The ornamental design for a locking device, as shown and described.

**DESCRIPTION**

Locking device  
4.1 : Front  
4.2 : Back  
4.3 : Left  
4.4 : Right  
4.5 : Bottom  
4.6 : Top  
4.7 : Perspective

(56) **References Cited**  
U.S. PATENT DOCUMENTS  
D303,862 S \* 10/1989 Henderson ..... D32/64  
5,022,866 A \* 6/1991 Harting ..... H01R 13/629  
439/370

**1 Claim, 7 Drawing Sheets**



(56)

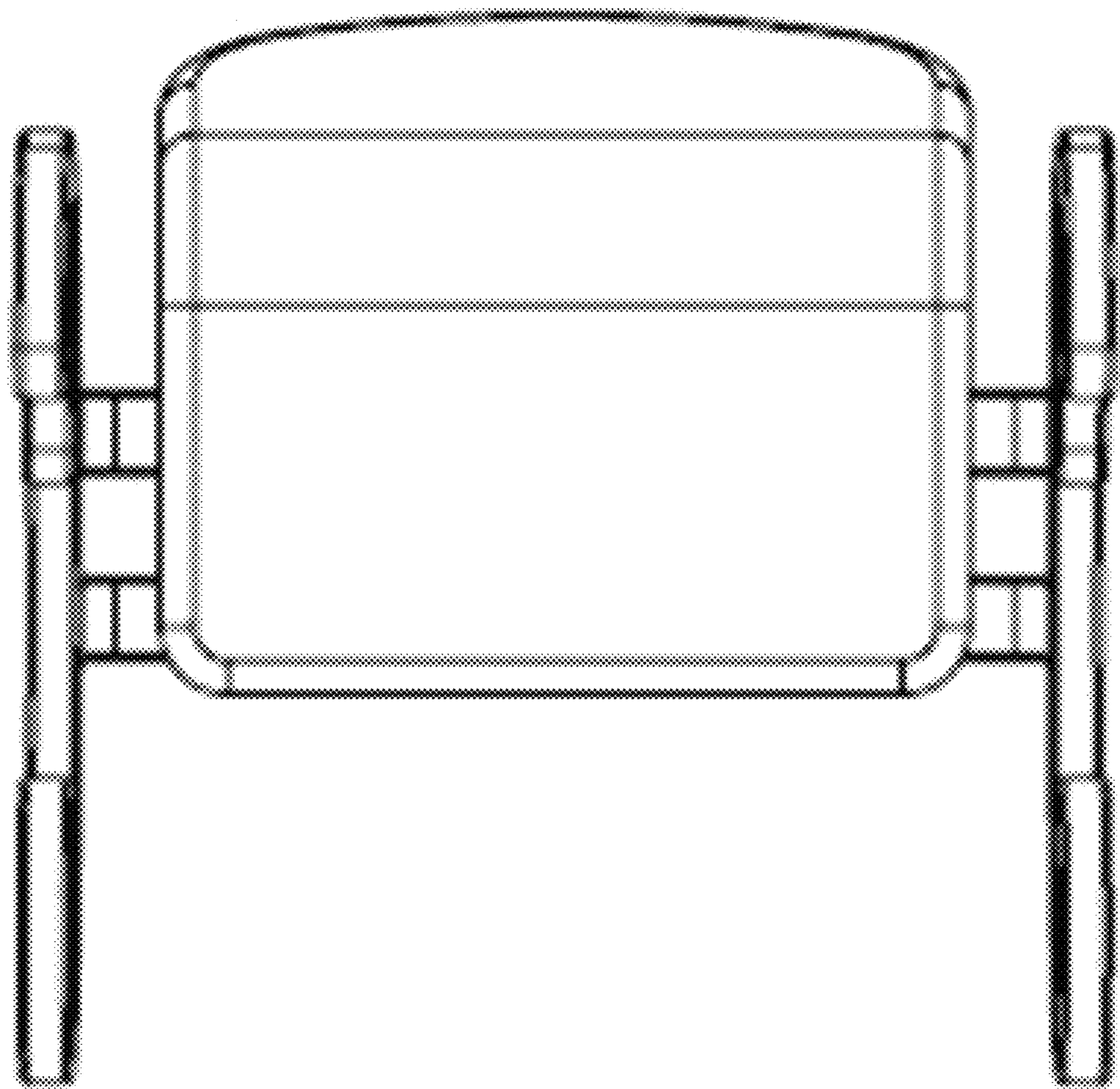
**References Cited**

U.S. PATENT DOCUMENTS

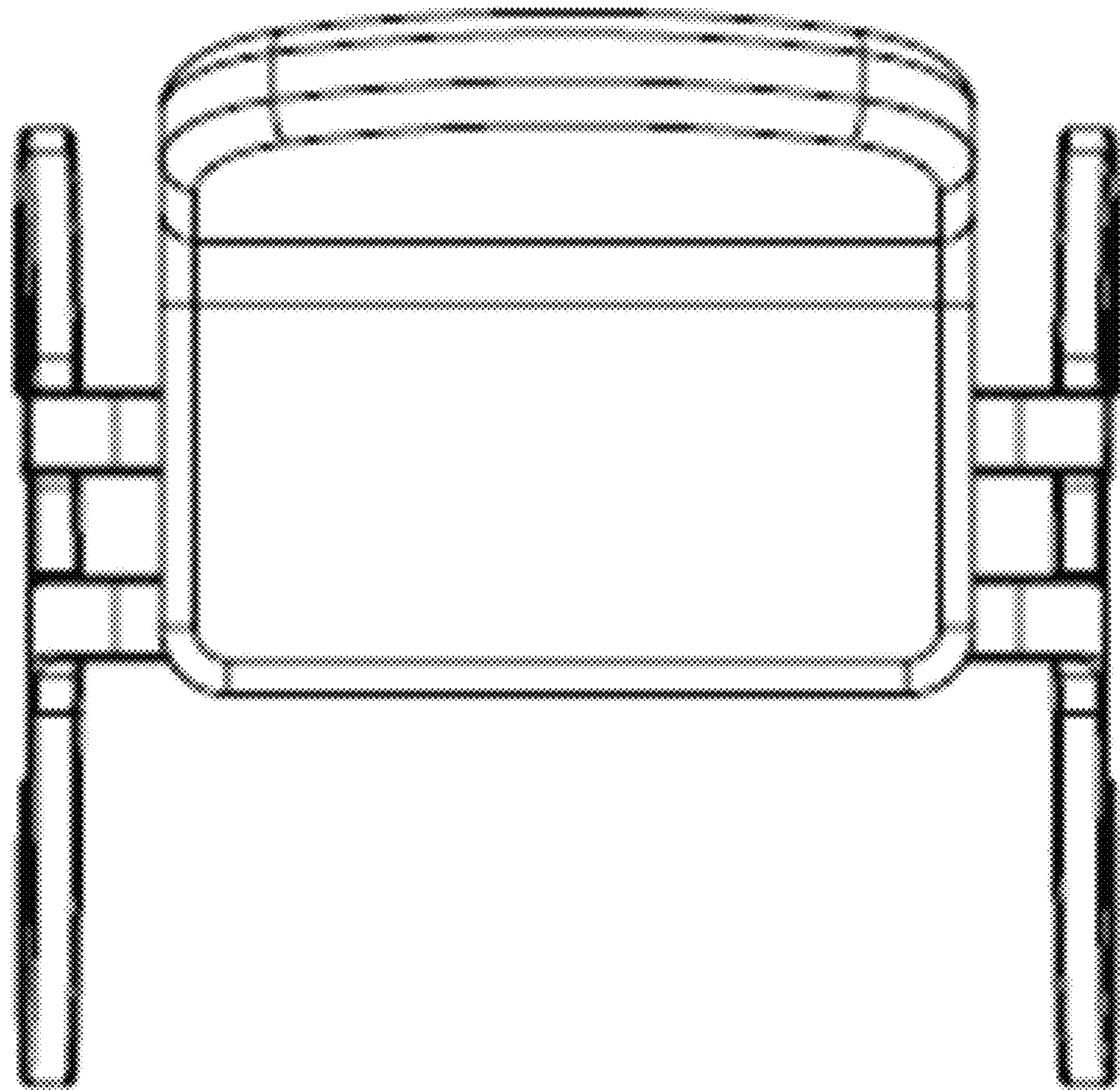
D685,052 S \* 6/2013 Mok ..... H01R 13/655  
D22/109  
D687,290 S \* 8/2013 Paik ..... H01R 13/62966  
D8/367  
D736,060 S \* 8/2015 Shimizu ..... H01R 13/62933  
D8/349  
D759,475 S \* 6/2016 Banno ..... D8/395  
D777,555 S \* 1/2017 Owens ..... D8/330  
9,631,662 B2 \* 4/2017 Boyer ..... F16B 37/02  
D807,162 S \* 1/2018 Wolfe, Jr. .... D8/395  
D813,417 S \* 3/2018 Carrera ..... H01R 13/5219  
D25/68  
D818,811 S \* 5/2018 Hattori ..... D8/397  
9,991,624 B2 \* 6/2018 Schlegel ..... H01R 13/655  
10,320,110 B2 \* 6/2019 Loetkemann ..... H01R 13/506  
D856,400 S \* 8/2019 Harms ..... D16/237  
D874,913 S \* 2/2020 Buczynski ..... D8/395  
D877,605 S \* 3/2020 Zeilinger ..... D8/394  
10,601,178 B2 \* 3/2020 Spilker ..... H01R 13/62955  
D898,546 S \* 10/2020 Tonelli ..... H01R 13/506  
D8/330  
D904,865 S \* 12/2020 Buczynski ..... D8/397  
D904,866 S \* 12/2020 Buczynski ..... D8/397  
10,862,256 B2 \* 12/2020 Sundermeier ..... H01R 13/506  
2006/0112743 A1 \* 6/2006 Lee ..... E05B 3/003  
70/224  
2006/0270257 A1 \* 11/2006 Duval ..... H01R 13/62938  
439/157  
2010/0026028 A1 \* 2/2010 Smith ..... B60R 13/04  
296/29  
2012/0115346 A1 \* 5/2012 Zwanger ..... H01R 13/5219  
439/310

\* cited by examiner

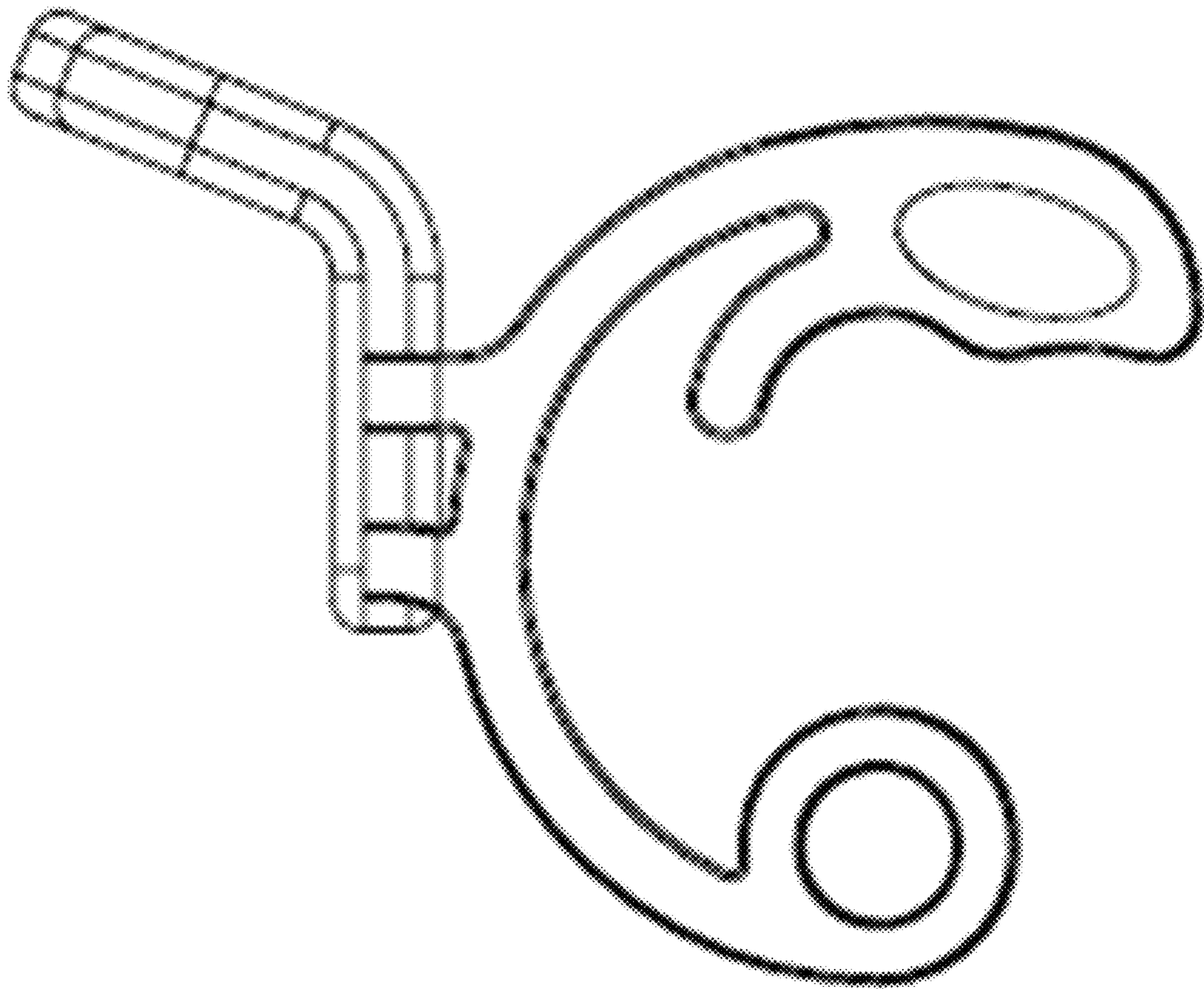
4.1



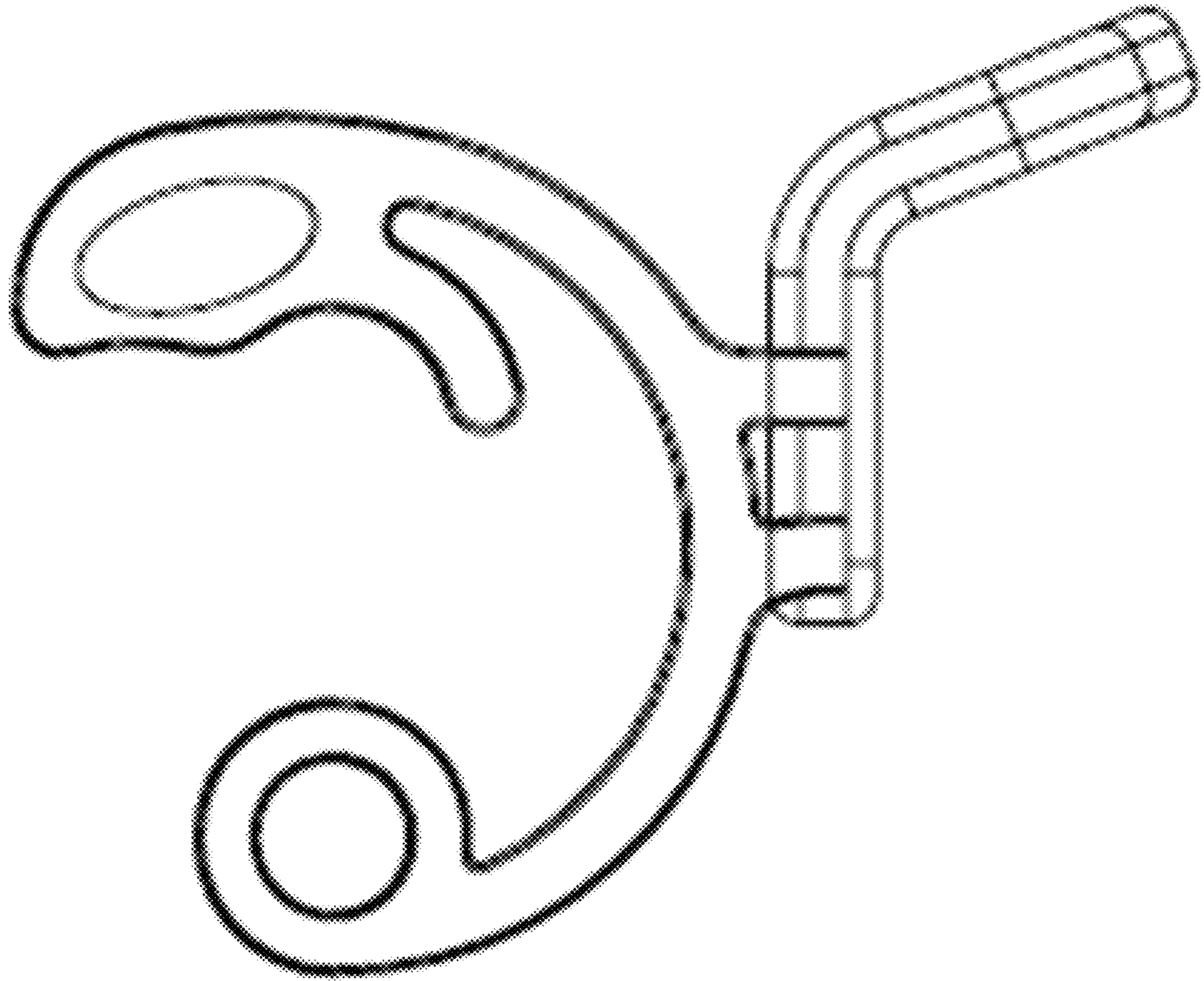
4.2



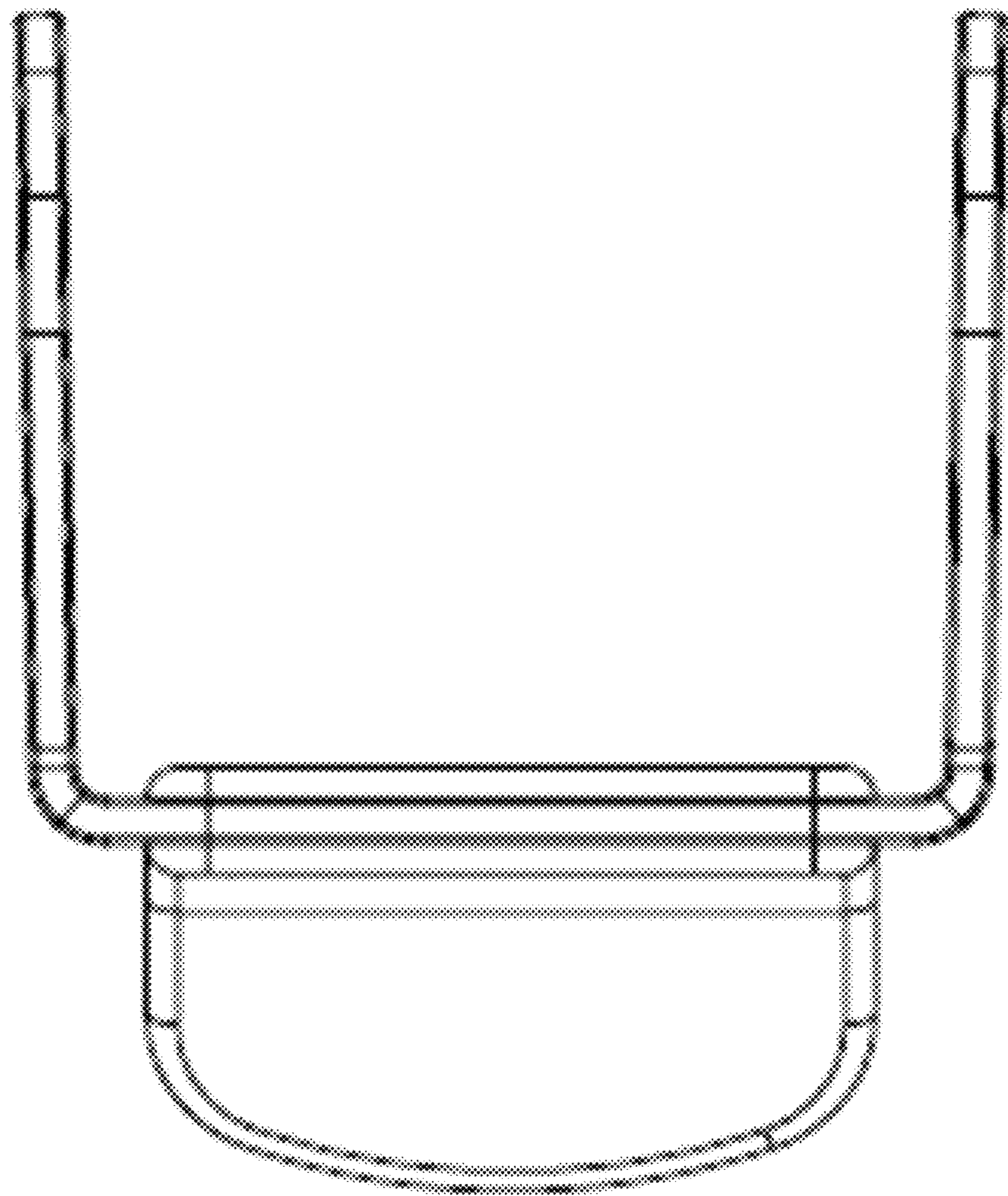
4.3



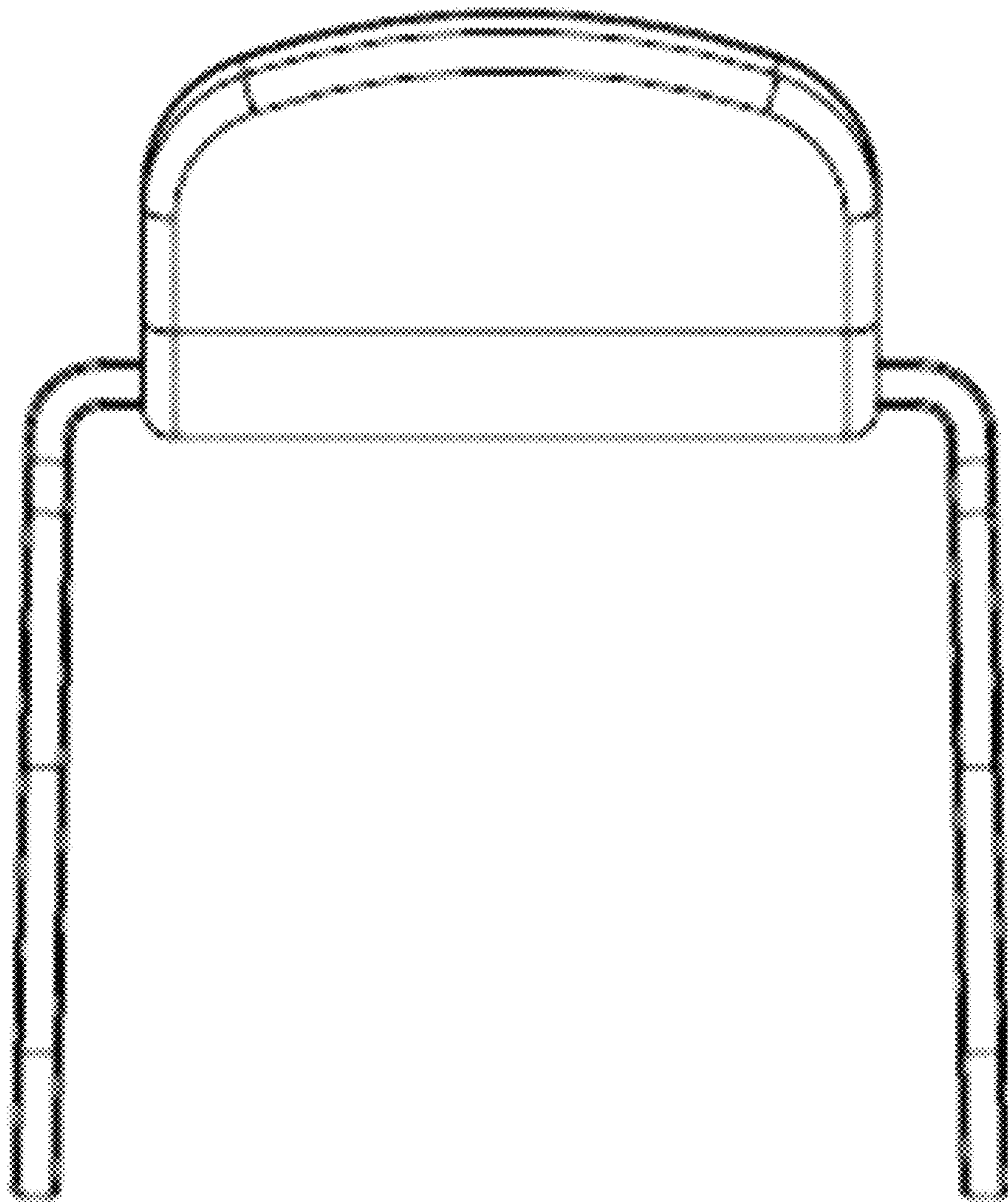
4.4



4.5



4.6





4.7

