



US00D937065S

(12) **United States Design Patent**
Forsberg

(10) **Patent No.:** **US D937,065 S**

(45) **Date of Patent:** **** Nov. 30, 2021**

- (54) **HOLDER**
- (71) Applicant: **Delex Teknik AB**, Forsheda (SE)
- (72) Inventor: **Erik Forsberg**, Forsheda (SE)
- (73) Assignee: **DELEX TEKNIK AB**, Forsheda (SE)
- (**) Term: **15 Years**
- (21) Appl. No.: **29/610,097**
- (22) Filed: **Jul. 10, 2017**
- (51) **LOC (13) Cl.** **08-05**
- (52) **U.S. Cl.**
USPC **D8/71**
- (58) **Field of Classification Search**
USPC D8/71, 44, 349, 72, 73, 394, 396, 373;
D3/214, 215, 227; D15/140, 126, 138,
D15/141
CPC A45F 3/14; A45F 2003/144
See application file for complete search history.

- 9,452,110 B1 * 9/2016 Paugh Lawrence F16M 13/022
- 9,474,356 B2 * 10/2016 Garcia Morales A45F 3/04
- 9,955,761 B2 * 5/2018 Maddox A45F 5/00

* cited by examiner

Primary Examiner — Keli L Hill
Assistant Examiner — Harold E Blackwell, II
(74) *Attorney, Agent, or Firm* — Gottlieb, Rackman & Reisman, PC

(57) **CLAIM**

The ornamental design for a holder, as shown and described.

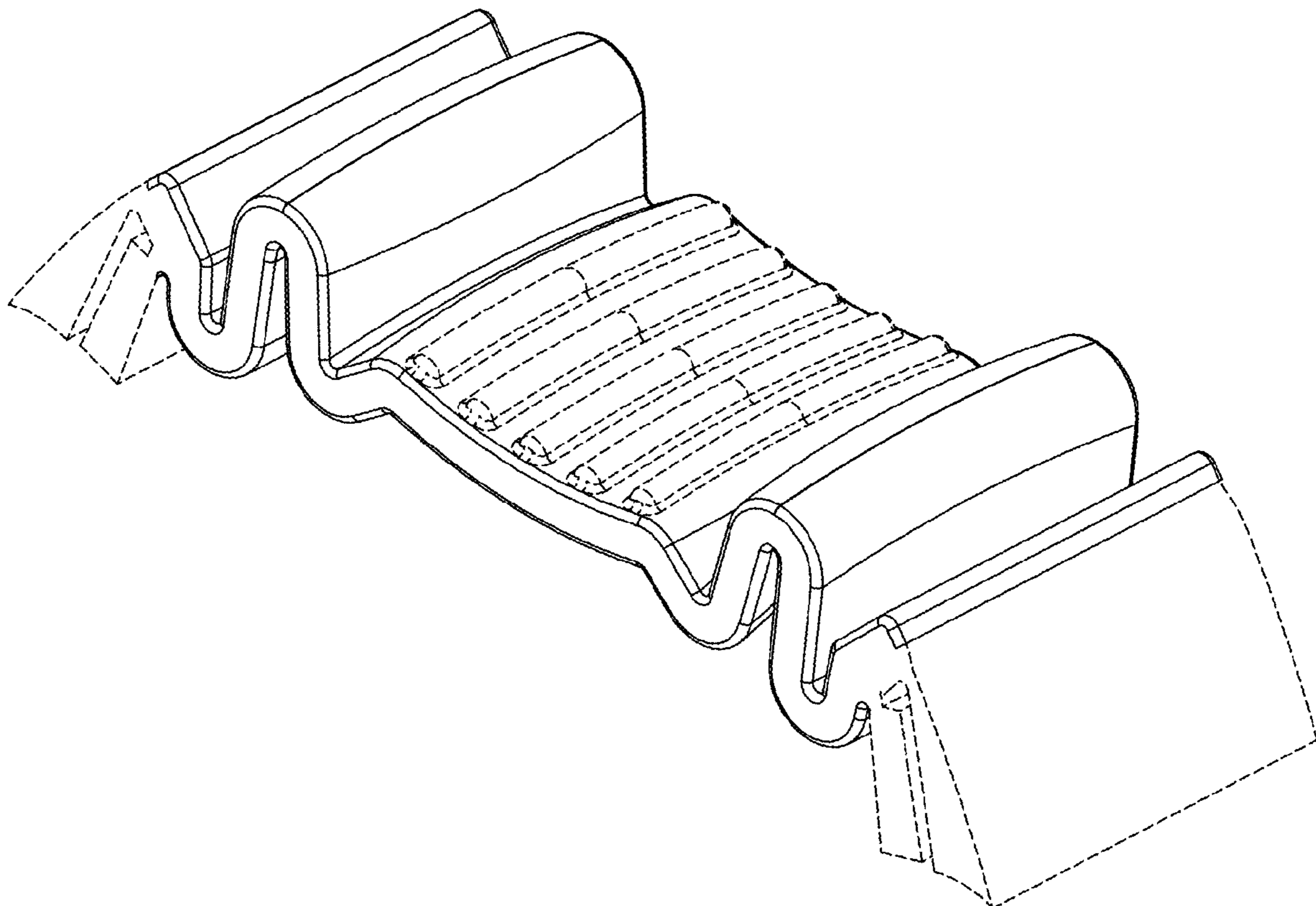
DESCRIPTION

FIG. 1 is a first top perspective view of a holder showing my new design;
FIG. 2 is a top plan view thereof, the bottom plan view being a mirror image of the top plan view;
FIG. 3 is a first bottom perspective view thereof;
FIG. 4 is a second bottom perspective view thereof;
FIG. 5 is a second top perspective view thereof;
FIG. 6 is a front elevation view thereof, the rear elevation view being a mirror image of the front elevation view; and,
FIG. 7 is a left side elevation view thereof, the right side elevation view being a mirror image of the left side elevation view.

The broken lines shown in the drawings are included for the purpose of illustrating subject matter that forms no part of the claimed design.

1 Claim, 4 Drawing Sheets

- (56) **References Cited**
U.S. PATENT DOCUMENTS
3,805,334 A * 4/1974 Graup A43C 11/144
24/70 SK
D341,488 S * 11/1993 Walasek D3/227
6,085,449 A * 7/2000 Tsui A45C 13/42
2/67
9,345,311 B2 * 5/2016 Swenson A61F 17/00



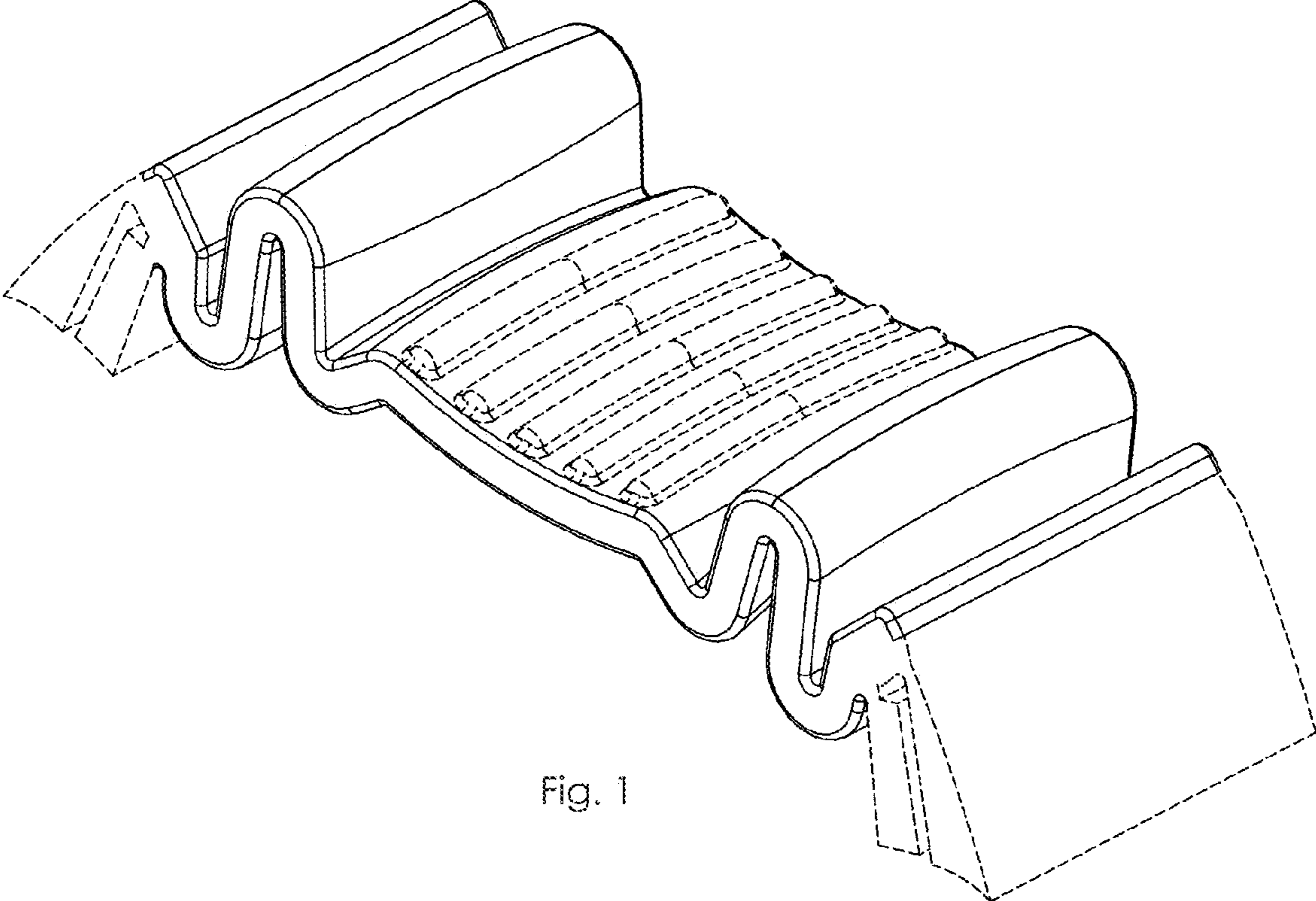


Fig. 1

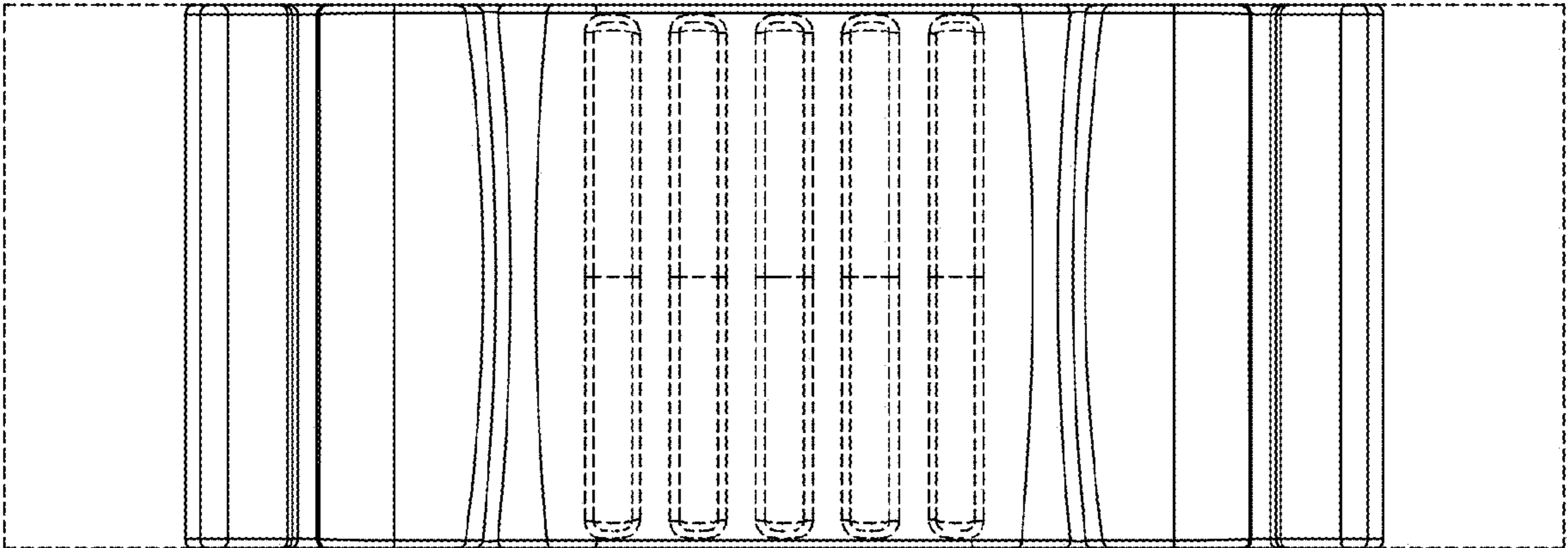


Fig. 2

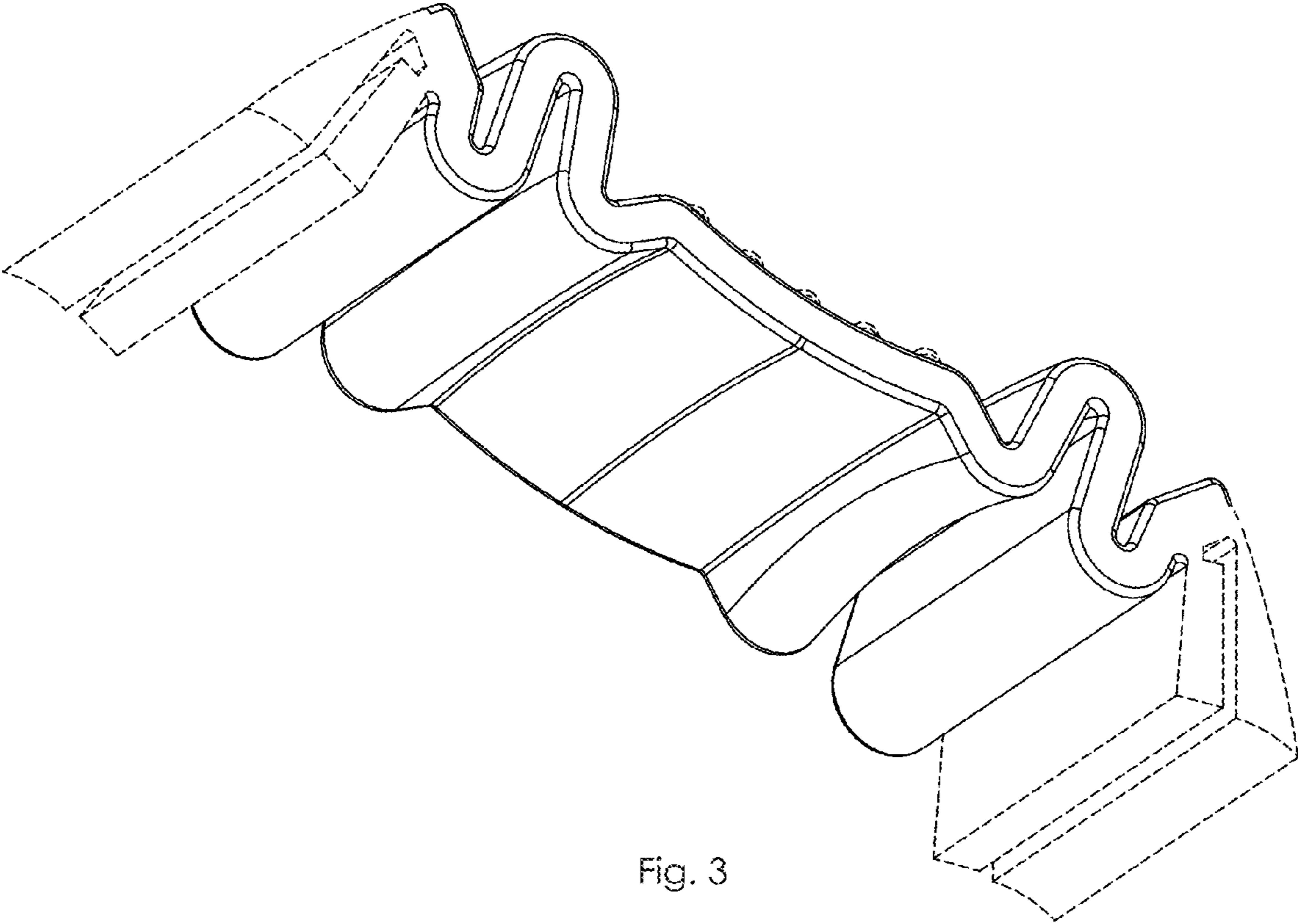


Fig. 3

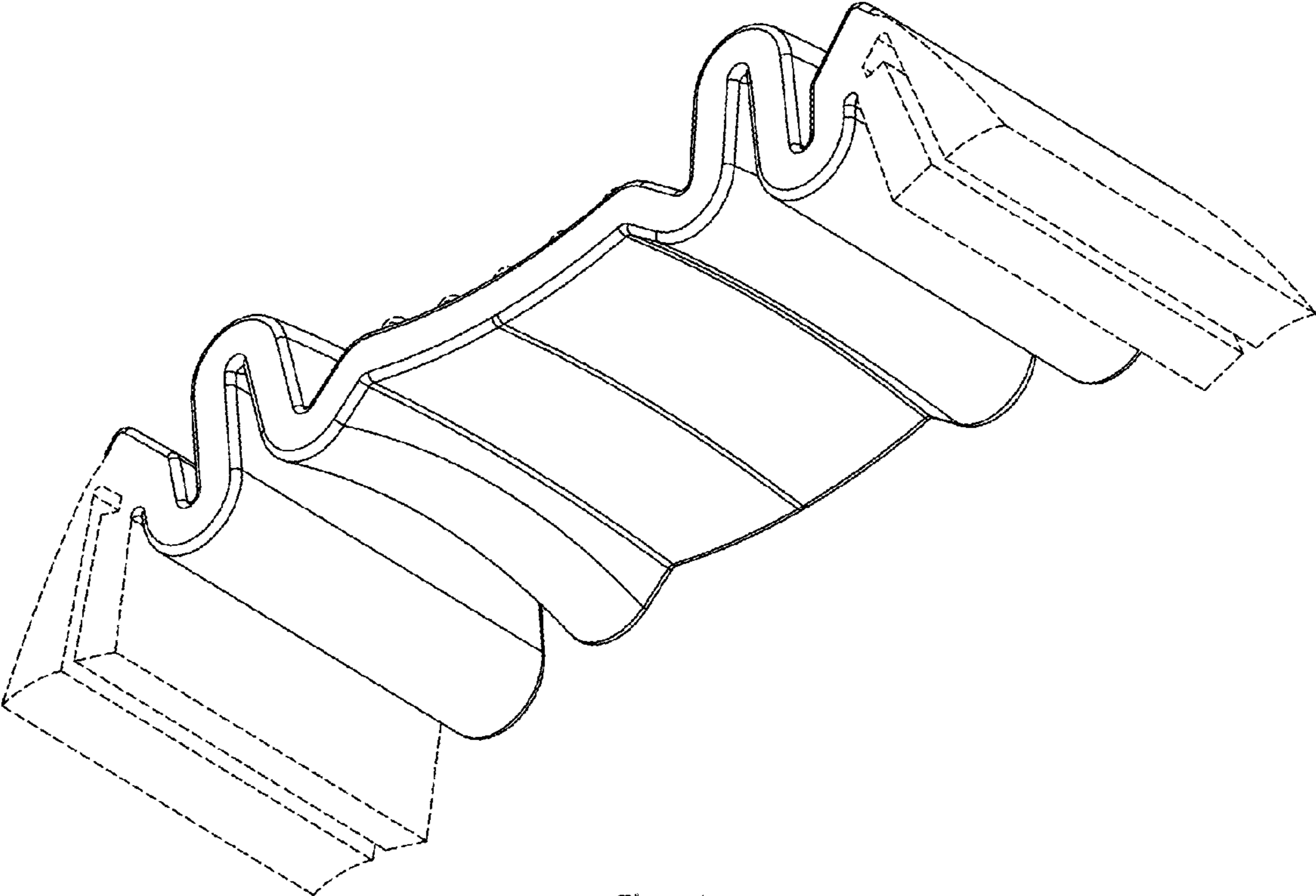


Fig. 4

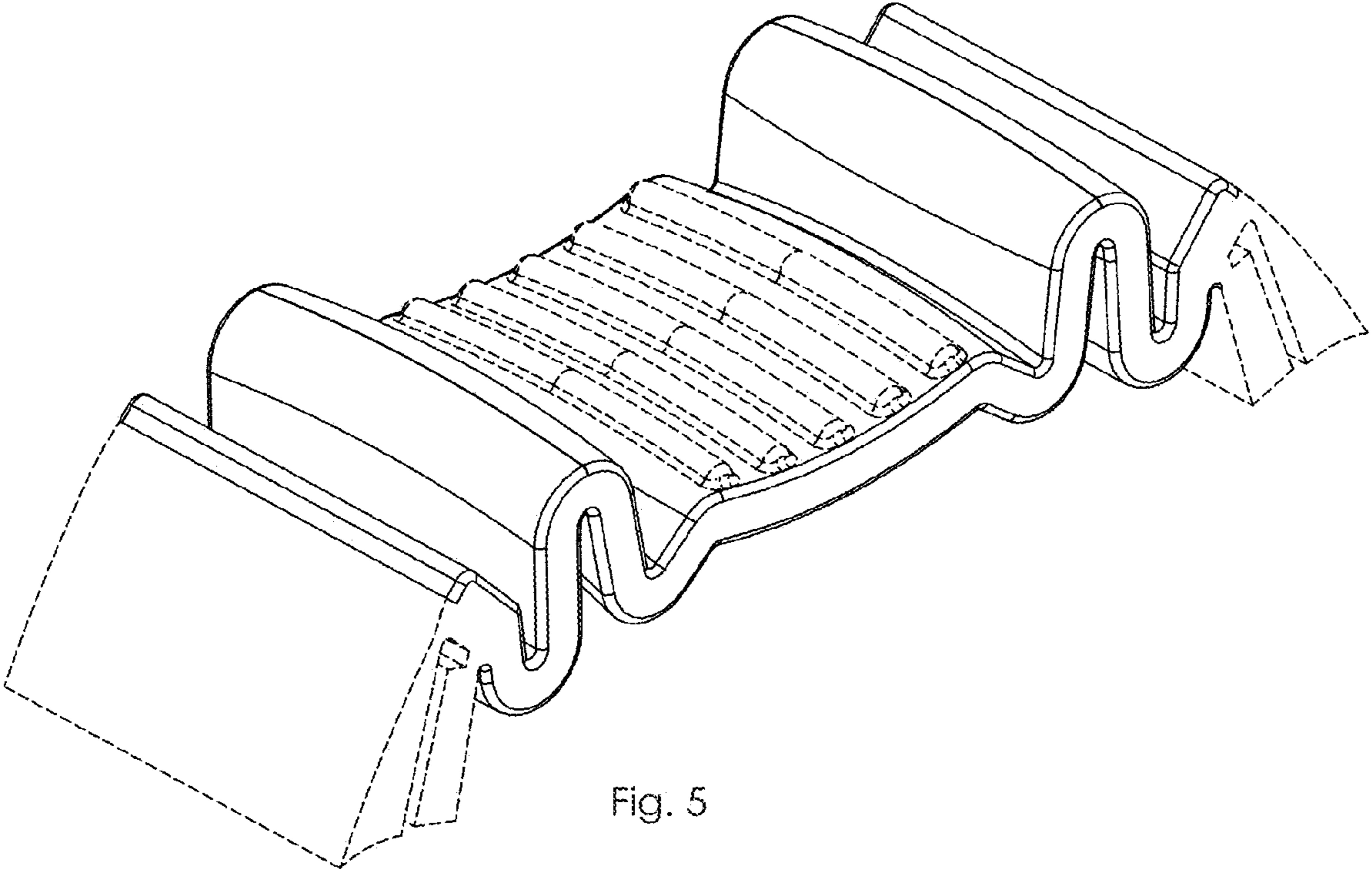


Fig. 5

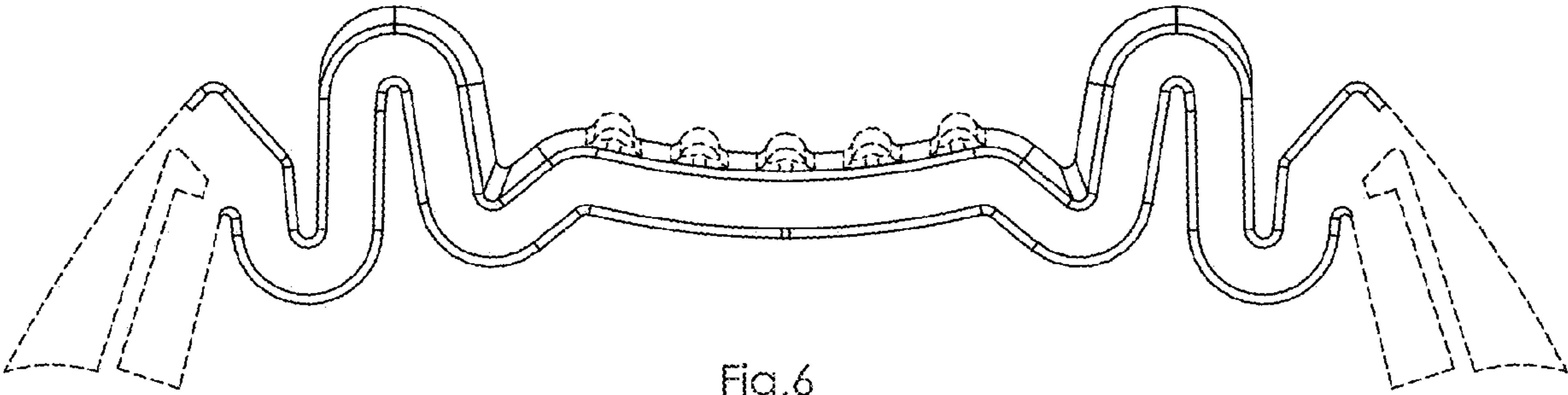


Fig. 6

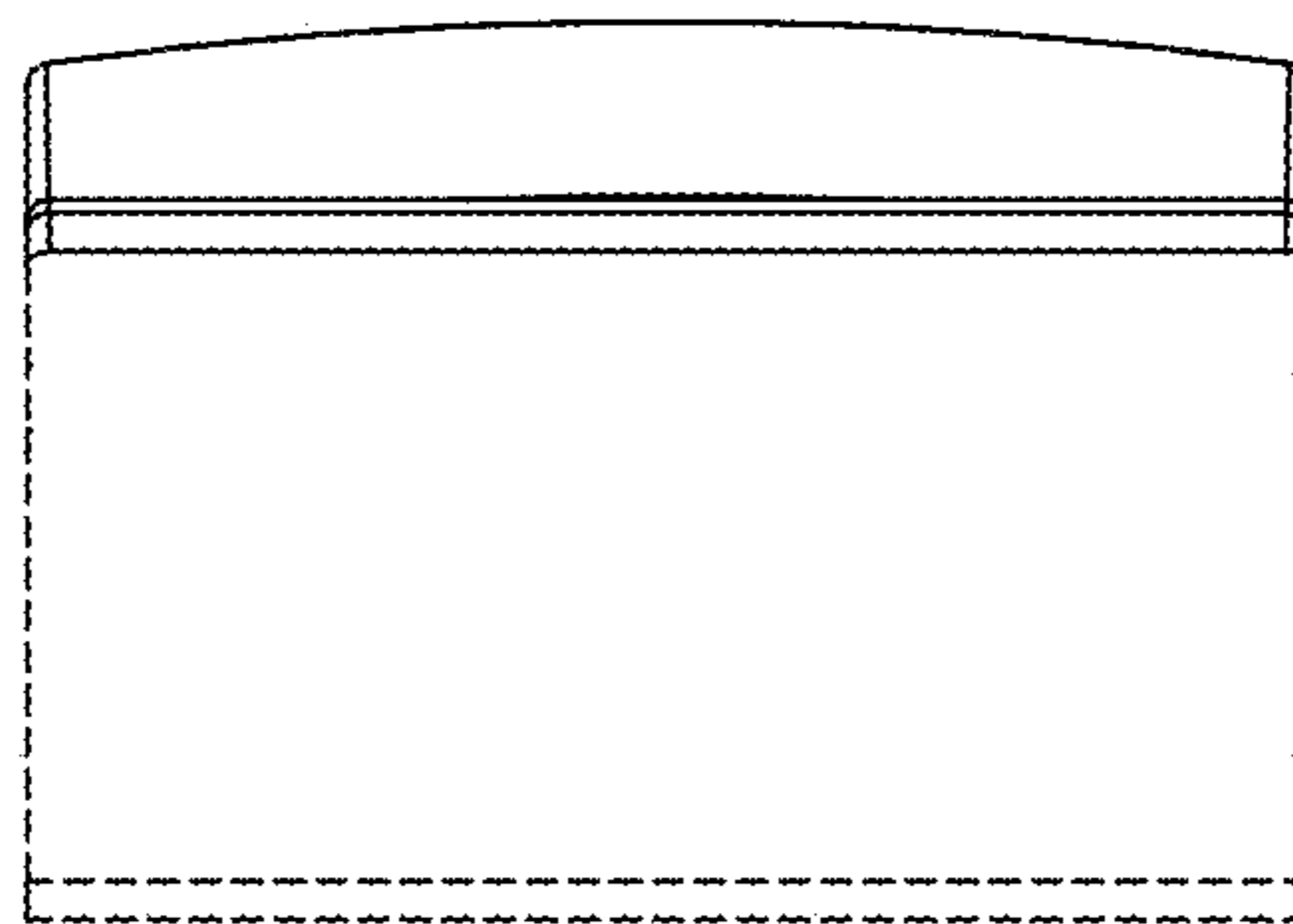


Fig. 7