



US00D937064S

(12) **United States Design Patent**  
**Holub et al.**

(10) **Patent No.:** **US D937,064 S**  
(45) **Date of Patent:** **\*\* Nov. 30, 2021**

(54) **EXPANSION ANCHOR SETTING TOOL**

(71) Applicant: **HammerDragon, LLC**, Bryan, TX (US)

(72) Inventors: **Justin G. Holub**, Bryan, TX (US);  
**Ross C. Morel**, Bryan, TX (US)

(73) Assignee: **HammerDragon, LLC**, Bryan, TX (US)

(\*\*) Term: **15 Years**

(21) Appl. No.: **29/724,398**

(22) Filed: **Feb. 14, 2020**

**Related U.S. Application Data**

(63) Continuation of application No. 15/659,297, filed on Jul. 25, 2017, now abandoned.

(51) **LOC (13) Cl.** ..... **08-05**

(52) **U.S. Cl.**  
USPC ..... **D8/70**

(58) **Field of Classification Search**  
USPC ..... D8/14, 29, 61, 70, 86, 387; D15/138  
CPC ... E04B 1/1421; E04B 1/4157; B25D 17/088;  
E21B 10/20; F16B 13/066; F16B 13/126;  
F16B 13/083; F16B 13/0816  
See application file for complete search history.

(56) **References Cited**

**U.S. PATENT DOCUMENTS**

- 4,899,431 A \* 2/1990 Borntreger ..... B25B 31/00  
29/244
- D457,046 S \* 5/2002 Boyle ..... D8/70
- D548,030 S \* 8/2007 Hertel ..... D8/29
- D584,933 S \* 1/2009 Jergenson ..... D8/29
- D616,275 S \* 5/2010 Kang ..... D8/70
- 7,814,631 B2 \* 10/2010 Wallek ..... B25B 31/00  
29/254
- D635,429 S \* 4/2011 Hakki ..... D8/70

- D640,298 S \* 6/2011 Launius, Jr. .... D15/138
- 8,424,180 B2 \* 4/2013 Wallek ..... B25D 17/02  
29/270
- 8,893,372 B2 \* 11/2014 Fanourgiakis ..... B25D 17/005  
29/525.11
- 2007/0187452 A1 \* 8/2007 Budzisz ..... B25C 1/00  
227/147
- 2019/0032693 A1 \* 1/2019 Holub ..... F16B 13/066
- 2019/0170175 A1 \* 6/2019 Cousineau ..... B25B 21/007
- 2019/0275653 A1 \* 9/2019 Nguyen ..... F16B 13/0833
- 2019/0277322 A1 \* 9/2019 Pauba ..... F16B 13/0816

**OTHER PUBLICATIONS**

Simpson Strong-Tie SDS Power setting tool, first available on AMAZON.com Sep. 8, 2016.\*

\* cited by examiner

*Primary Examiner* — Philip S Hyder

(74) *Attorney, Agent, or Firm* — Phillip Black; Dossey & Jones PLLC

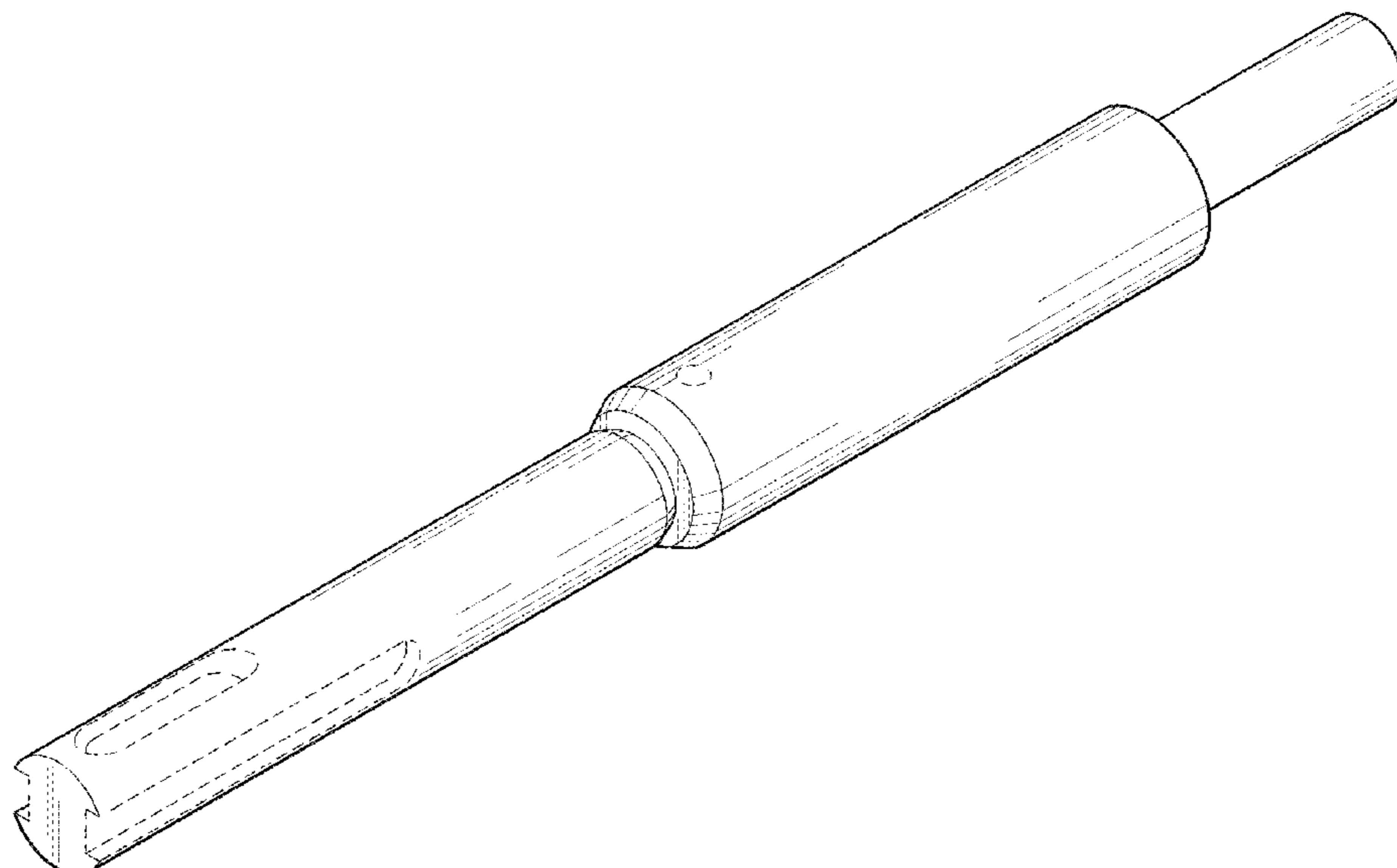
(57) **CLAIM**

The ornamental design for an expansion anchor setting tool, as shown and described.

**DESCRIPTION**

FIG. 1 is perspective front view of the expansion anchor setting tool;  
 FIG. 2 is a right side view thereof, a left side is a mirror image thereof;  
 FIG. 3 is a front side view thereof, a back side view is a mirror image thereof;  
 FIG. 4 is a first end view thereof;  
 FIG. 5 is a cross-sectional view thereof, identified in FIG. 2; and,  
 FIG. 6 is a second end view thereof.  
 The broken lines in the drawings form no part of the claimed design.

**1 Claim, 3 Drawing Sheets**



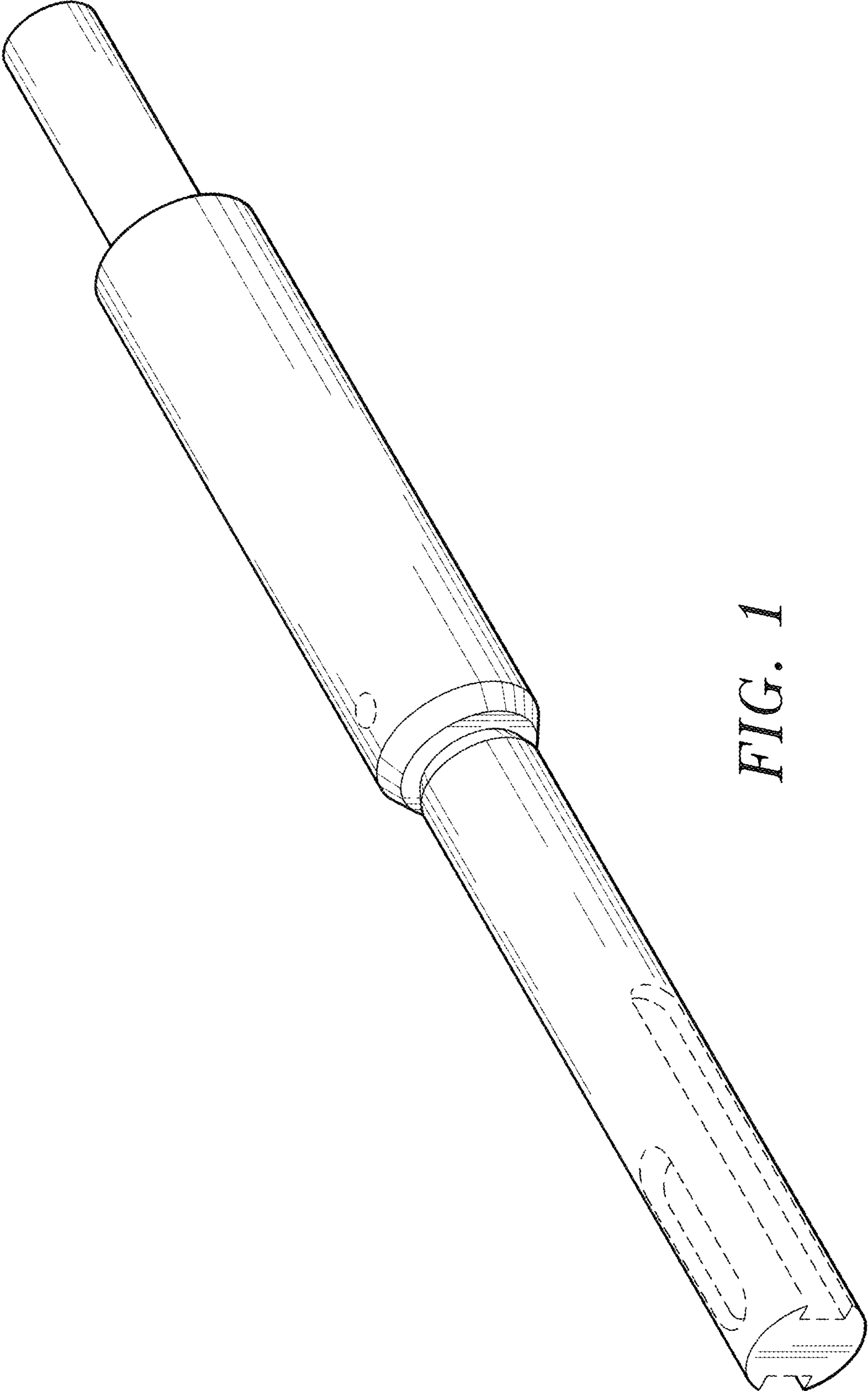
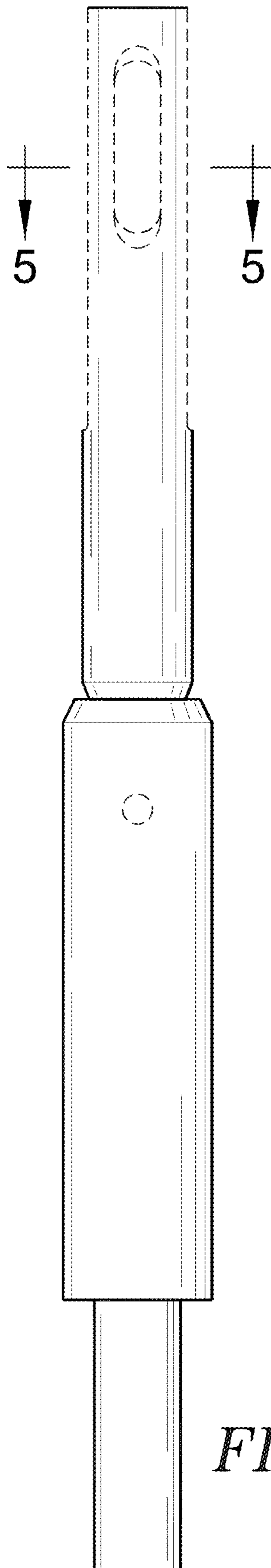
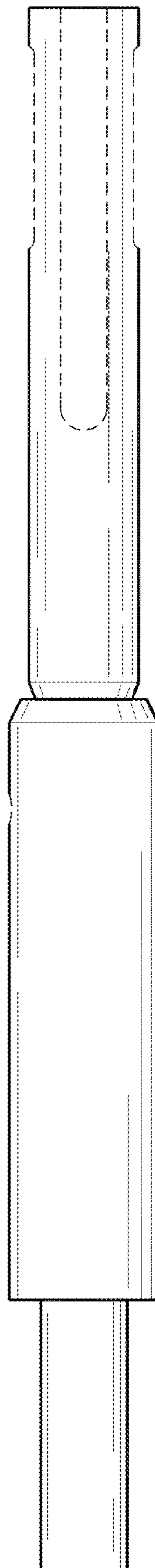


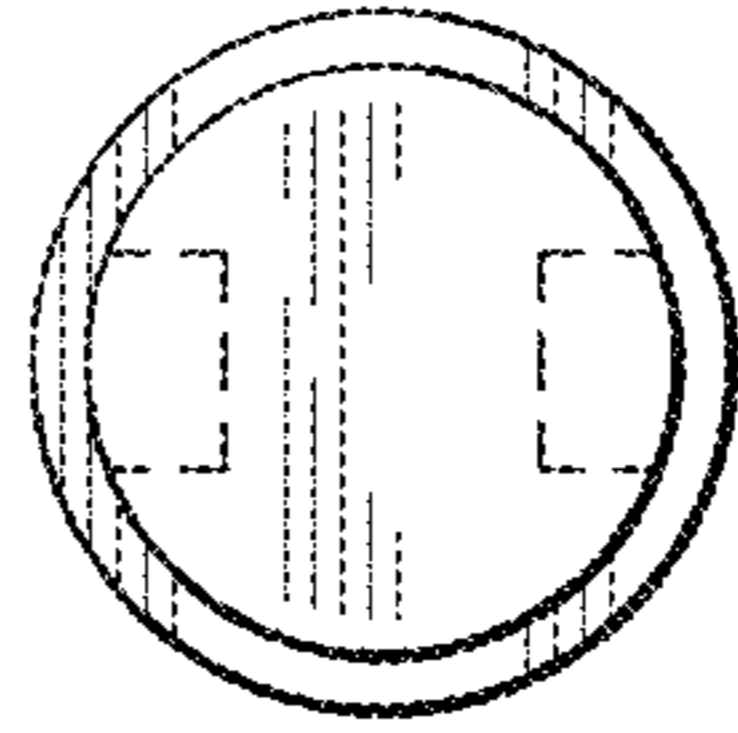
FIG. 1



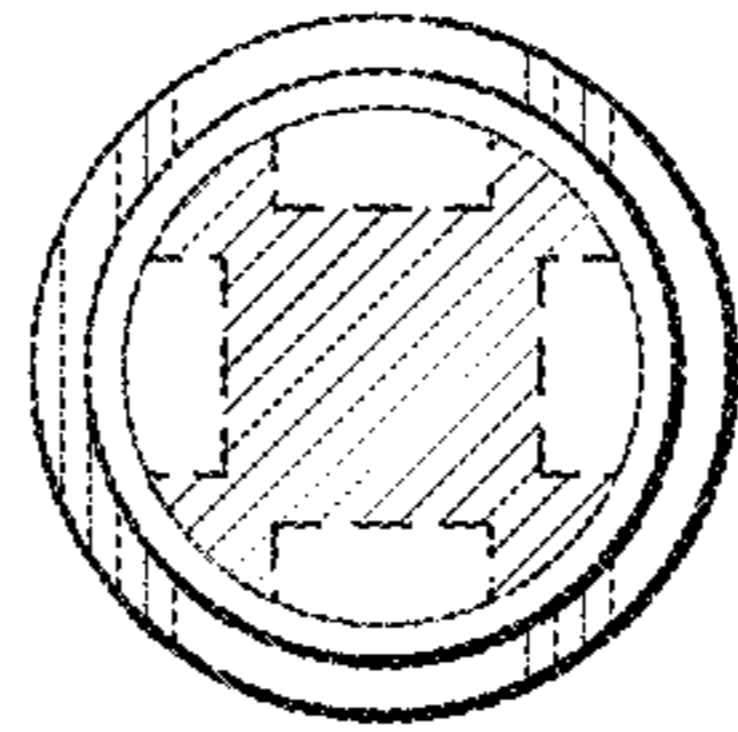
*FIG. 2*



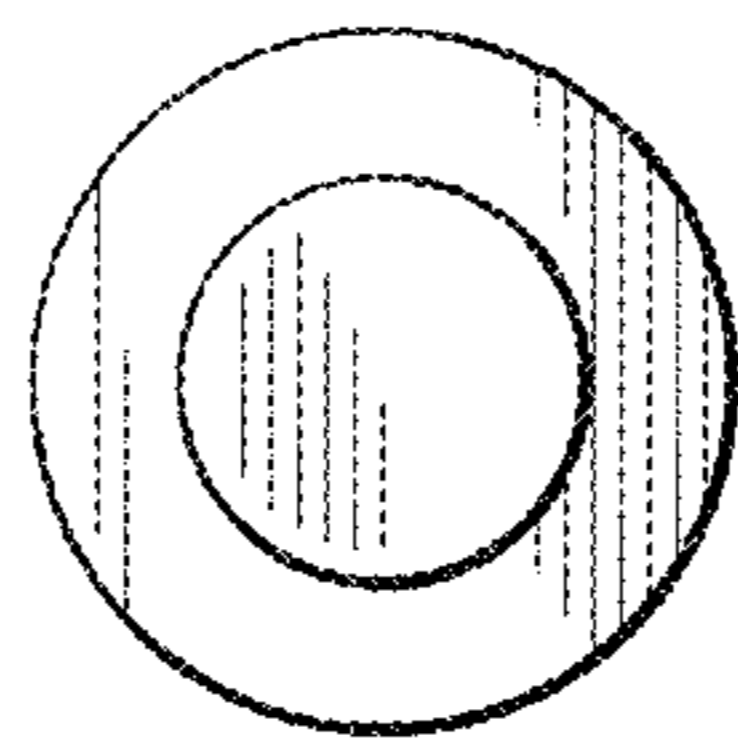
*FIG. 3*



*FIG. 4*



*FIG. 5*



*FIG. 6*