



US00D937063S

(12) **United States Design Patent**  
**Kawase et al.**

(10) **Patent No.:** **US D937,063 S**

(45) **Date of Patent:** **\*\* Nov. 30, 2021**

(54) **PORTABLE ELECTRIC DRIVER DRILL**

D467,148 S \* 12/2002 Flickinger ..... D8/68  
D525,848 S \* 8/2006 Kokawa ..... D8/68  
D527,971 S \* 9/2006 Kokawa ..... D8/68

(71) Applicant: **MAKITA CORPORATION**, Anjo (JP)

(Continued)

(72) Inventors: **Tomonori Kawase**, Anjo (JP); **Yuta Araki**, Anjo (JP)

*Primary Examiner* — Darlington Ly

(73) Assignee: **MAKITA CORPORATION**, Anjo (JP)

(74) *Attorney, Agent, or Firm* — Global IP Counselors, LLP

(\*\*) Term: **15 Years**

(57) **CLAIM**

(21) Appl. No.: **29/728,583**

The ornamental design for a portable electric driver drill, as shown and described.

(22) Filed: **Mar. 19, 2020**

**DESCRIPTION**

(30) **Foreign Application Priority Data**

Sep. 20, 2019 (JP) ..... 2019-021087

(51) **LOC (13) Cl.** ..... **08-05**

(52) **U.S. Cl.**  
USPC ..... **D8/68**

(58) **Field of Classification Search**  
USPC ..... D8/61, 67, 68  
CPC .... B62D 23/005; B62D 29/00; B62D 29/043;  
B62D 31/00; B62D 33/046; B62D 35/00;  
B62D 35/001; B60Q 1/0005  
See application file for complete search history.

FIG. 1 is a front perspective view of a portable electric driver drill in accordance with our new design;  
FIG. 2 is a rear perspective view of the portable electric driver drill in accordance with our new design;  
FIG. 3 is a front elevational view of the portable electric driver drill in accordance with our new design;  
FIG. 4 is a rear elevational view of the portable electric driver drill in accordance with our new design;  
FIG. 5 is a top plan view of the portable electric driver drill in accordance with our new design;  
FIG. 6 is a bottom plan view of the portable electric driver drill in accordance with our new design;  
FIG. 7 is a right side elevational view of the portable electric driver drill in accordance with our new design;  
FIG. 8 is a left side elevational view of the portable electric driver drill in accordance with our new design; and,  
FIG. 9 is a front perspective view of the portable electric driver drill in accordance with our new design illustrating a state in which a battery is attached to the portable electric driver drill.

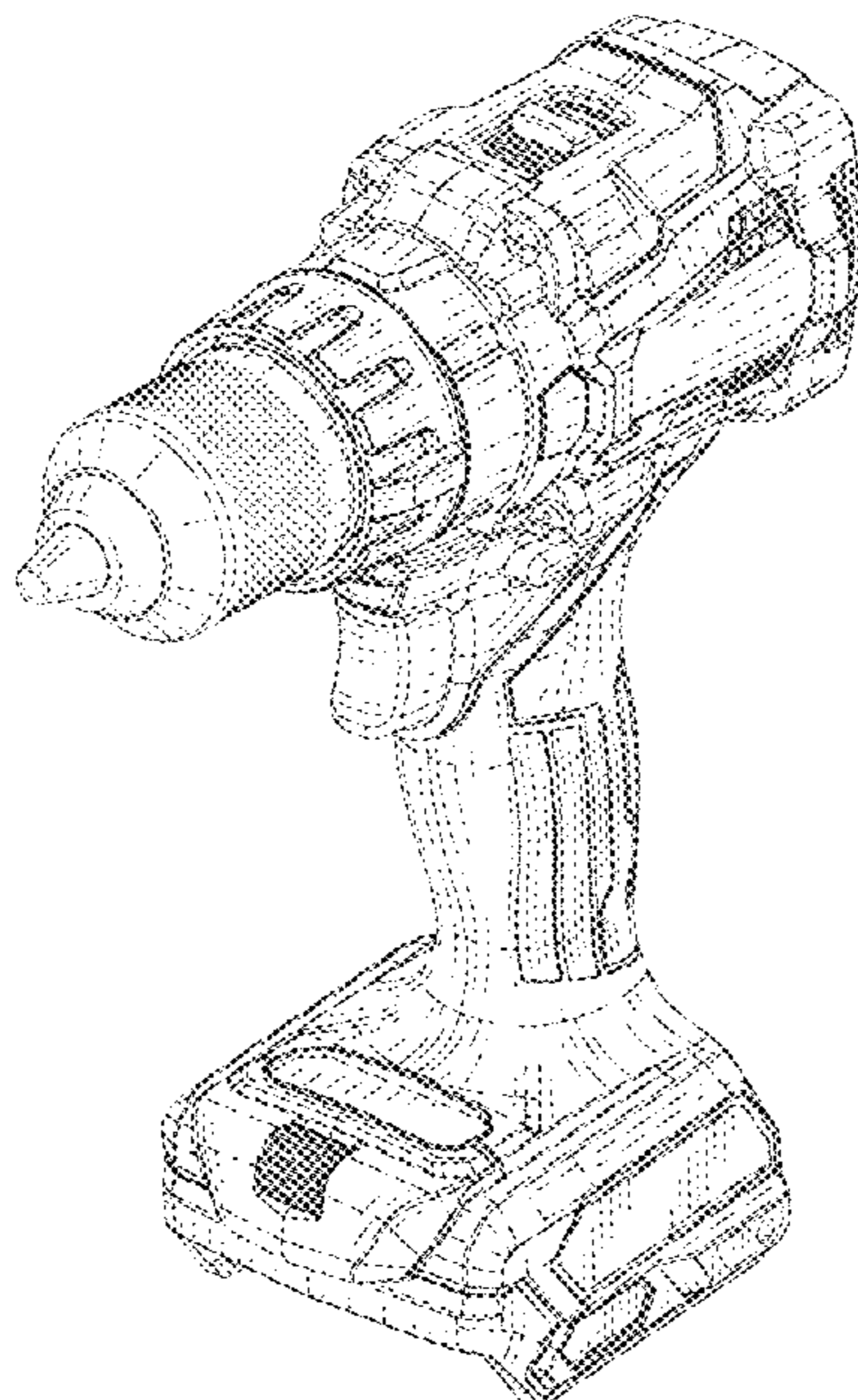
(56) **References Cited**

**U.S. PATENT DOCUMENTS**

5,451,127 A \* 9/1995 Chung ..... B25D 16/006  
173/47  
D392,530 S \* 3/1998 Lui ..... D8/68  
D409,467 S \* 5/1999 Chung ..... D8/68  
D419,413 S \* 1/2000 Heun ..... D8/68  
D421,883 S \* 3/2000 Watson ..... D8/68  
D436,511 S \* 1/2001 Hayakawa ..... D8/68  
6,308,378 B1 \* 10/2001 Mooty ..... B23D 51/01  
16/430  
D460,674 S \* 7/2002 Heun ..... D8/68

The broken lines in the drawings illustrate portions of the portable electric driver drill or an environmental structure (i.e., the battery shown in FIG. 9) that form no part of the claimed design.

**1 Claim, 9 Drawing Sheets**



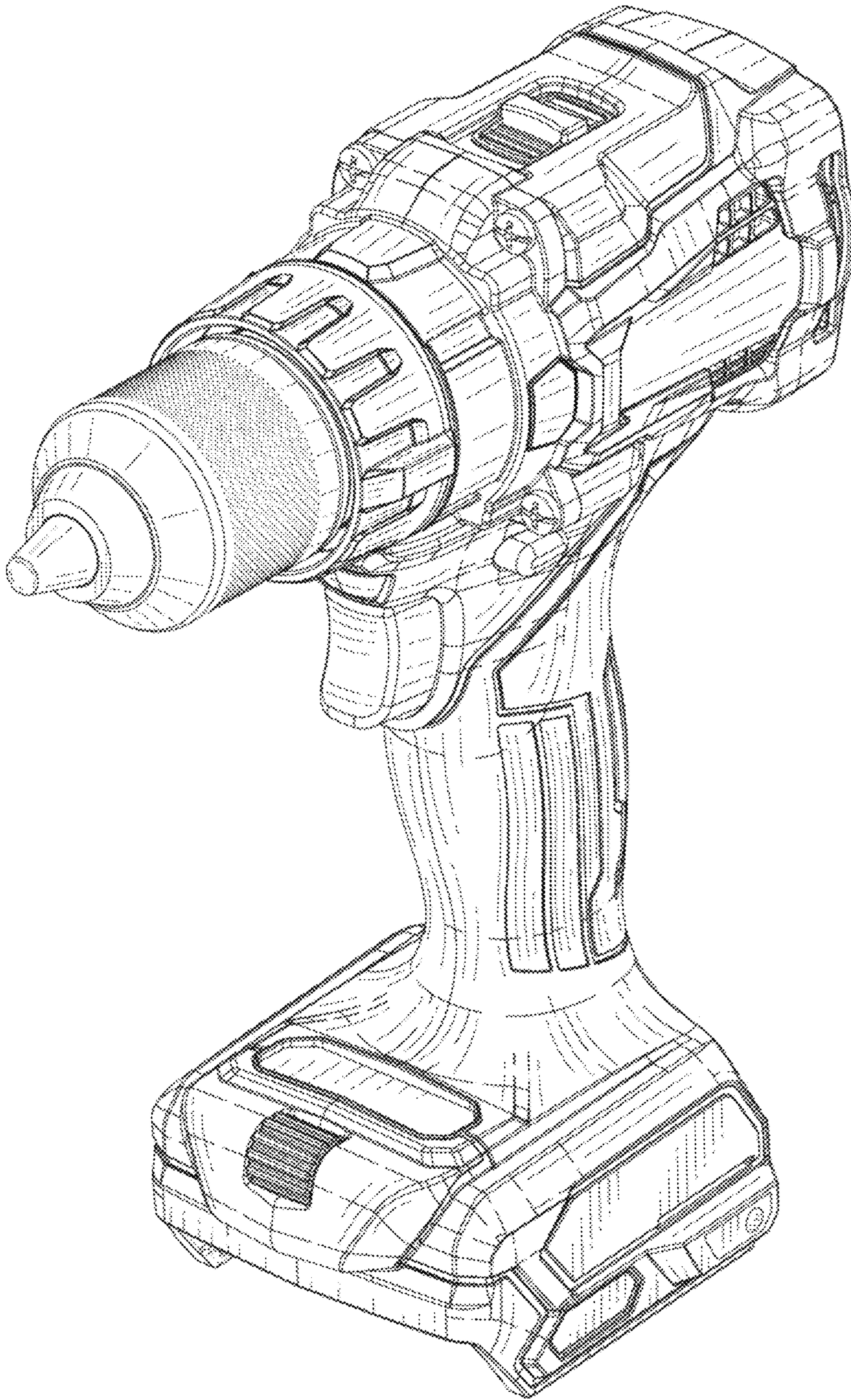
(56)

**References Cited**

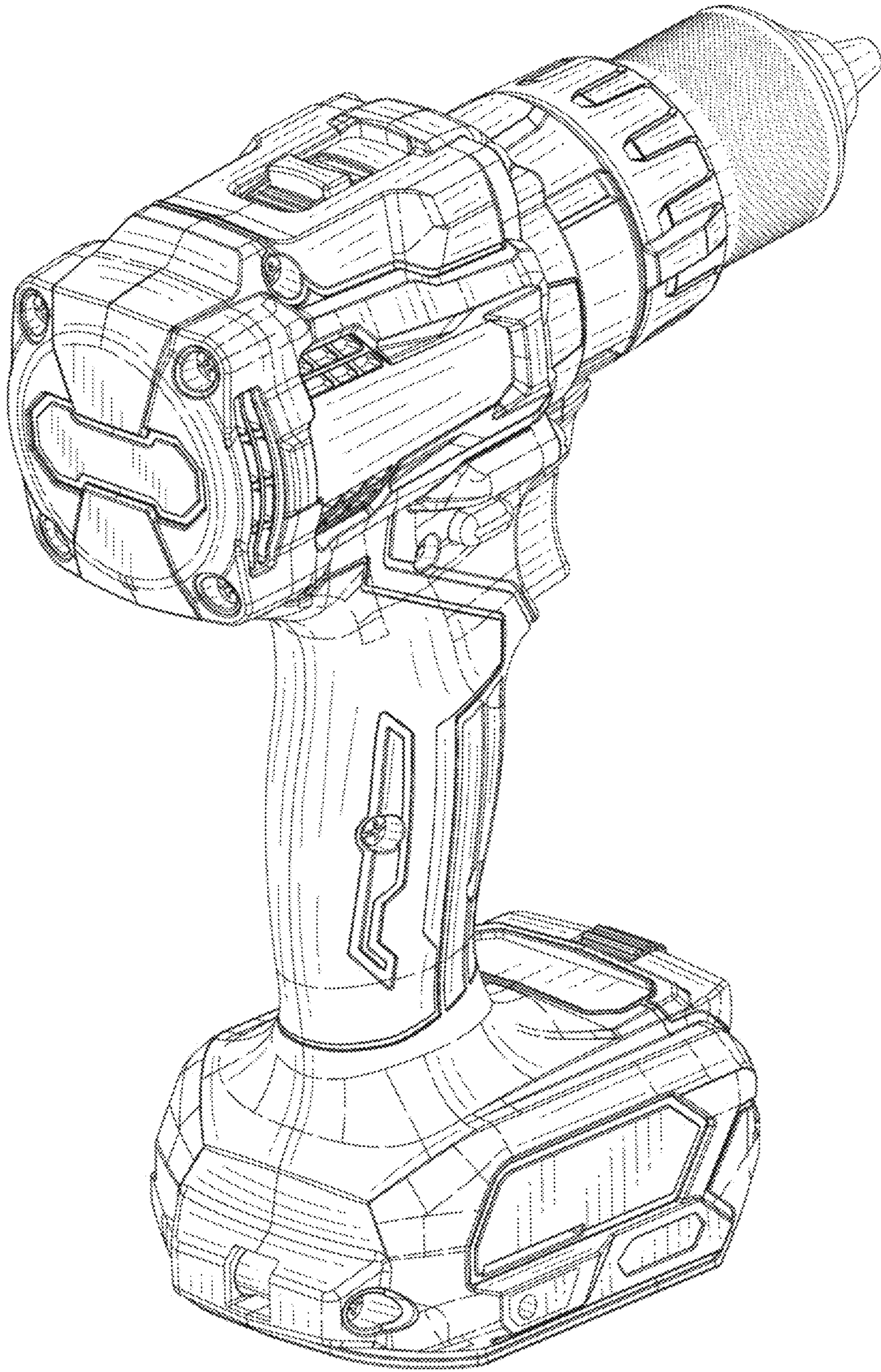
U.S. PATENT DOCUMENTS

7,429,430	B2 *	9/2008	Mooty .....	B23D 51/01 30/500
D587,084	S *	2/2009	Van Wambeke .....	D8/68
7,492,125	B2 *	2/2009	Serdynski .....	H01M 50/572 320/114
D593,831	S *	6/2009	Van Wambeke .....	D8/68
D609,072	S *	2/2010	Van Wambeke .....	D8/68
D642,037	S *	7/2011	Miller .....	D8/68
D673,437	S *	1/2013	Schoch .....	D8/68
D682,650	S	5/2013	Kawase et al.	
D750,460	S *	3/2016	Miller .....	D8/68
D847,600	S *	5/2019	Waldron .....	D8/68
D869,926	S *	12/2019	Waldron .....	D8/68
D882,366	S *	4/2020	Yang .....	D8/68
D898,536	S *	10/2020	Li .....	D8/68
2015/0041164	A1 *	2/2015	Sergyeyenko .....	B25B 23/147 173/1

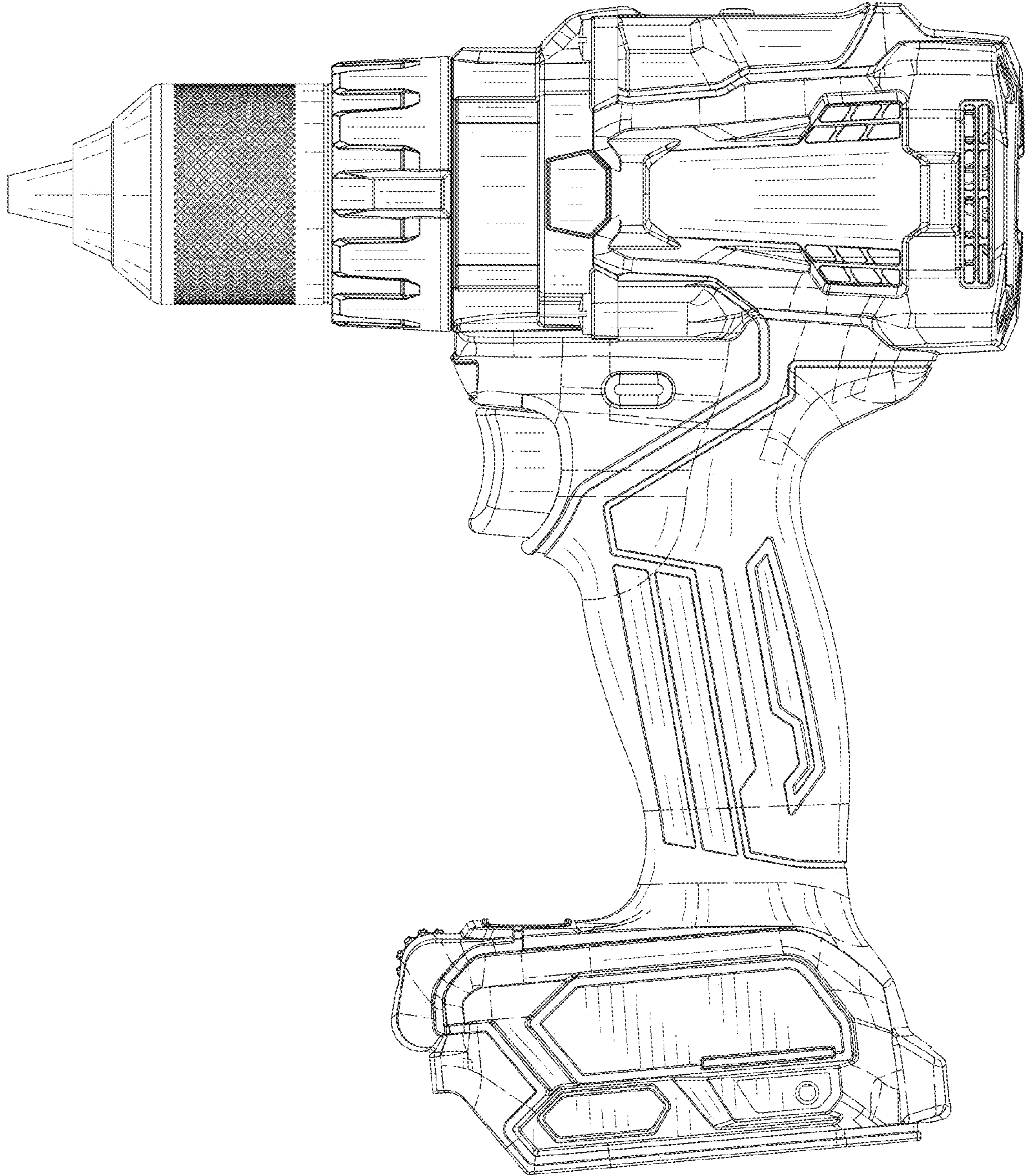
\* cited by examiner



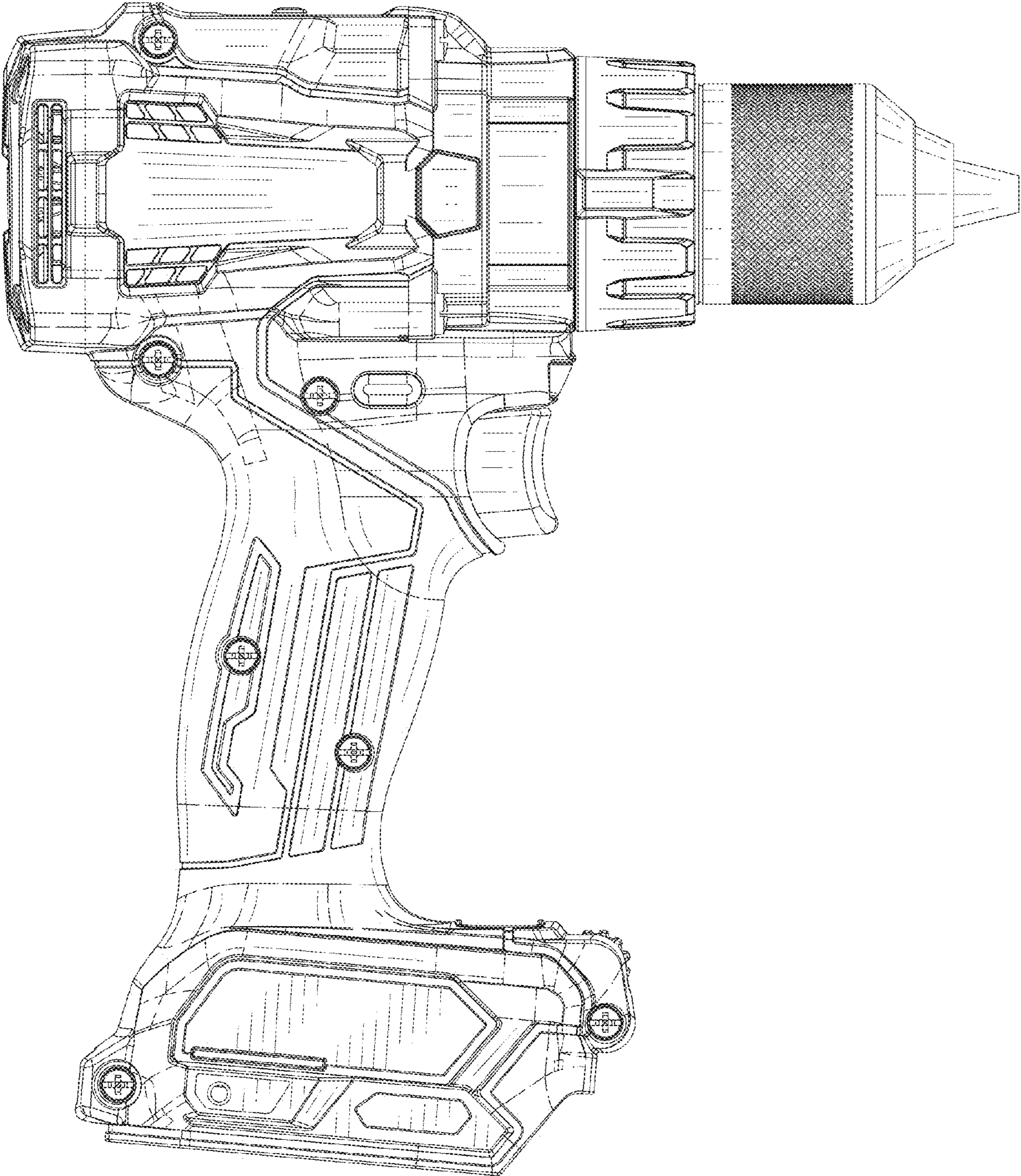
**FIG. 1**



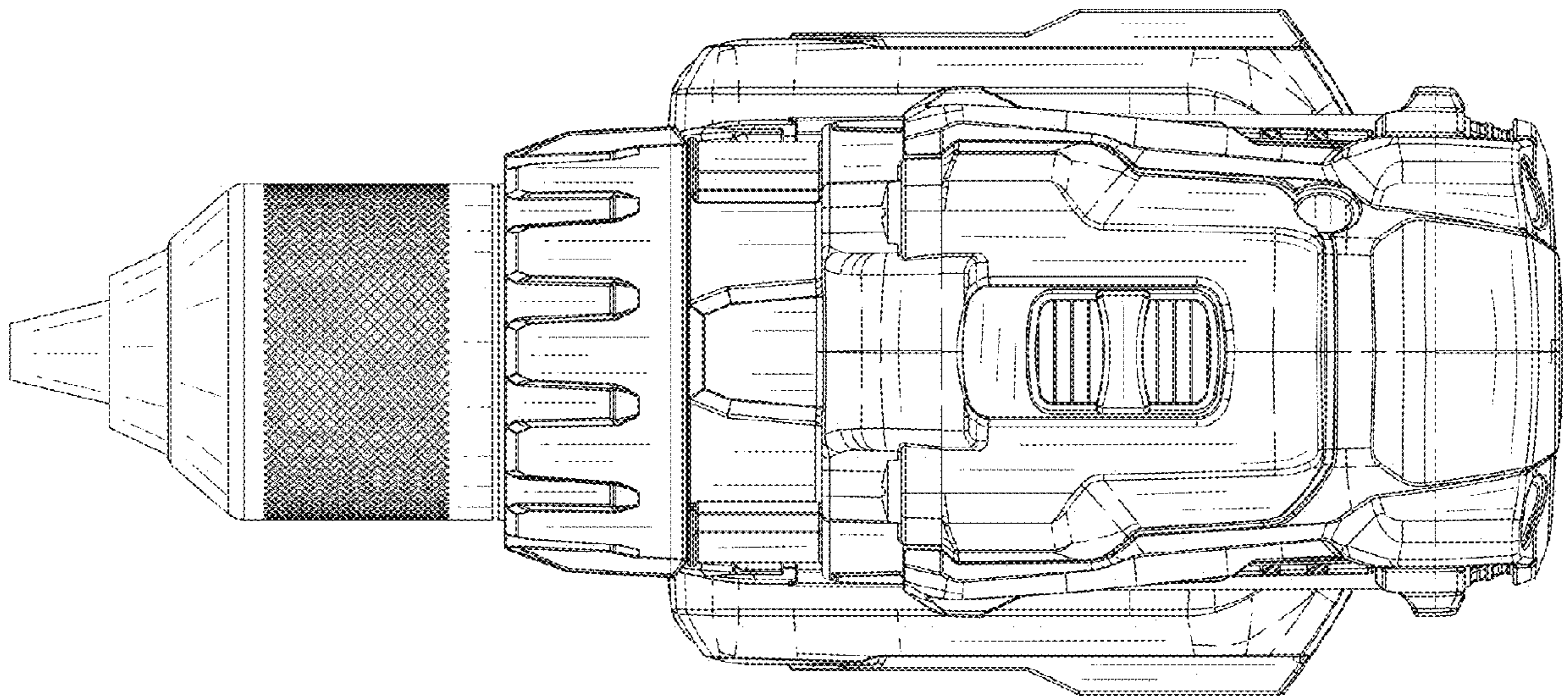
**FIG. 2**



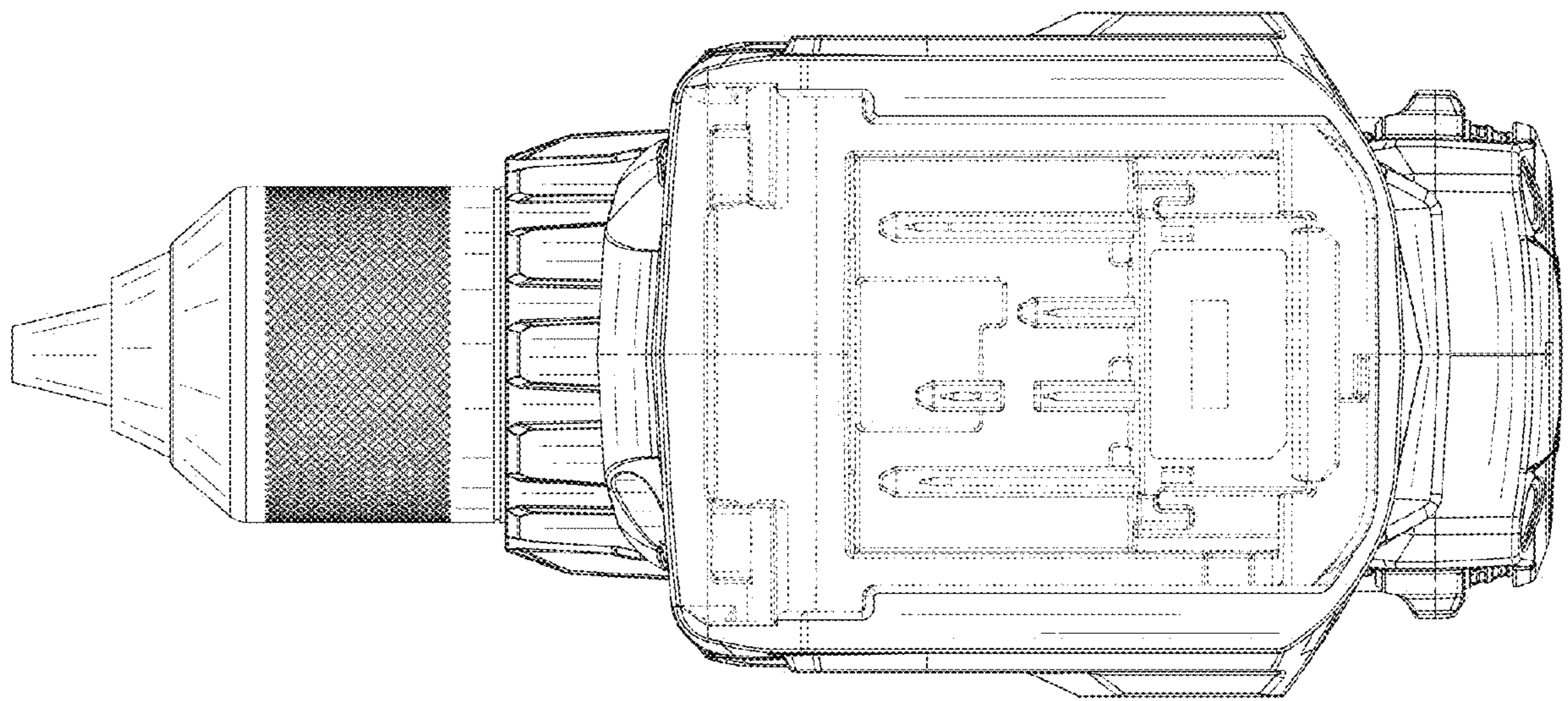
**FIG. 3**



**FIG. 4**

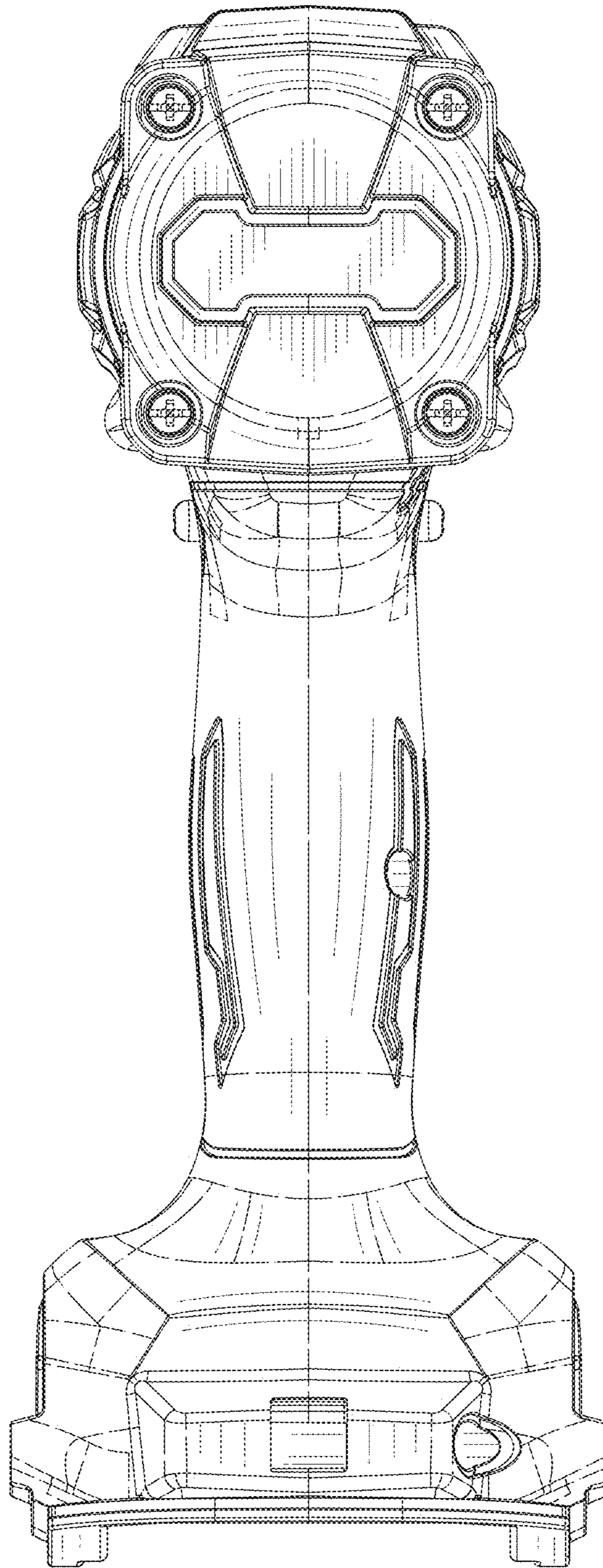


**FIG. 5**

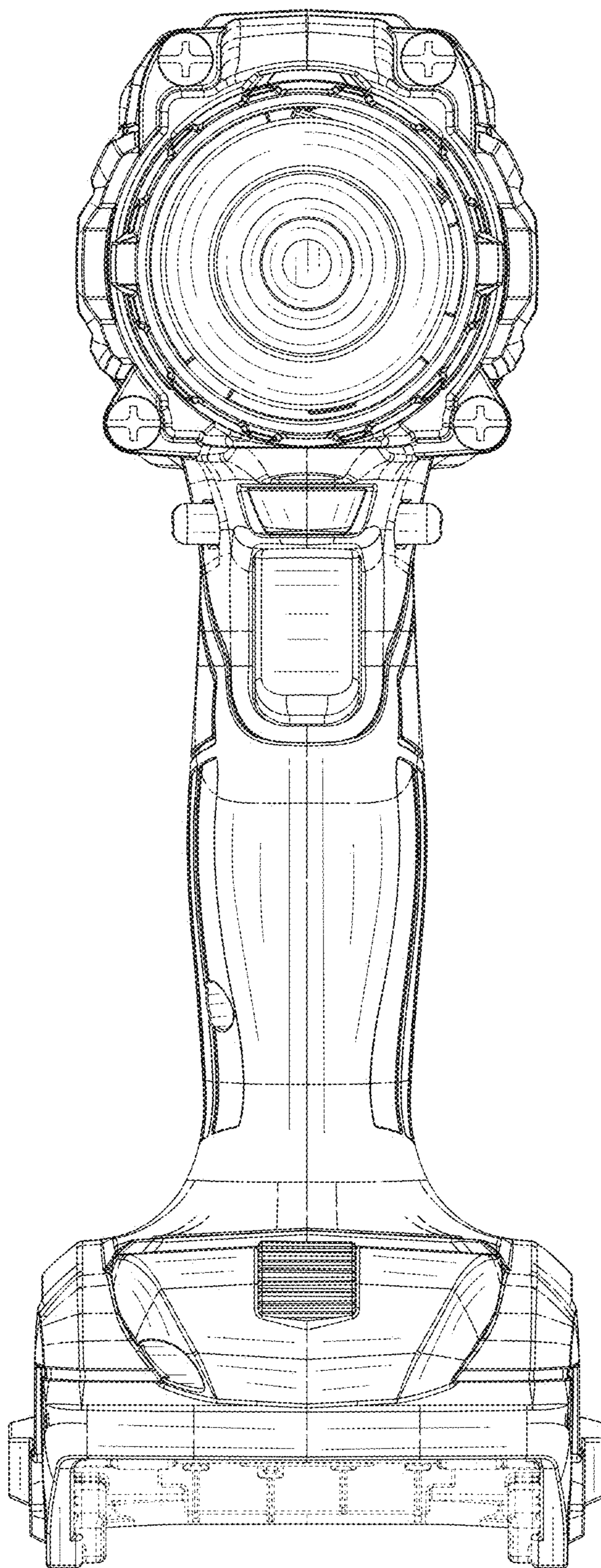


**FIG. 6**

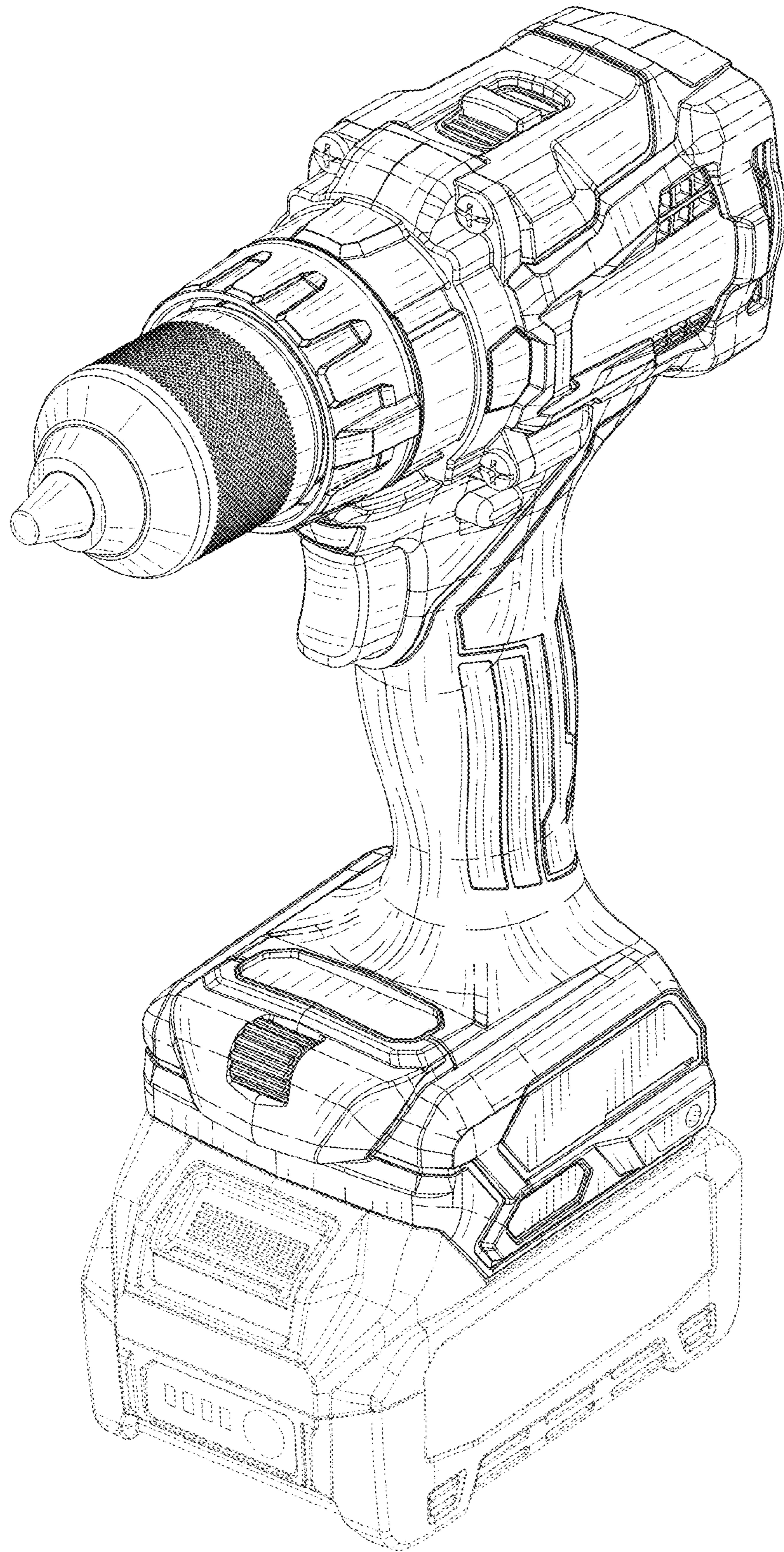




**FIG. 7**



**FIG. 8**



**FIG. 9**