



US00D937060S

(12) **United States Design Patent**
Peng

(10) **Patent No.:** **US D937,060 S**

(45) **Date of Patent:** **** Nov. 30, 2021**

(54) **SOCKET SET**

(71) Applicant: **Cheng-Chia Peng**, Taichung City (TW)

(72) Inventor: **Cheng-Chia Peng**, Taichung City (TW)

(**) Term: **15 Years**

(21) Appl. No.: **29/716,958**

(22) Filed: **Dec. 13, 2019**

(51) **LOC (13) Cl.** **08-05**

(52) **U.S. Cl.**
USPC **D8/29**

(58) **Field of Classification Search**
USPC D8/14-40, 51-56, 23-18; 81/125.1,
81/177.1, 119, 124.7, 124.3, 186, 431,
(Continued)

(56) **References Cited**

U.S. PATENT DOCUMENTS

3,227,015 A * 1/1966 Theodorec B25B 13/06
81/177.2
4,947,713 A * 8/1990 Arnold B25B 13/06
81/121.1

(Continued)

FOREIGN PATENT DOCUMENTS

CN 301991482 * 1/2012 8/5
CN 304972287 * 6/2018 8/5

(Continued)

OTHER PUBLICATIONS

Titan Store, 21095 4-Piece 1/2-Inch Drive Nonmarring Impact Deep Lug Nut Socket Set, Date first available Dec. 3, 2016, [online]retrieved Dec. 23, 2020, available from internet, https://www.amazon.com/Titan-Tools-21095-Non-Marring-Socket/dp/B01NAEF0U5/ref=sxin_9?ascsubtag=amzn1.osa.d2215bf6-9c5b-496 (Year: 2016).*

(Continued)

Primary Examiner — Keli L Hill

Assistant Examiner — Sara S Sahneh

(74) *Attorney, Agent, or Firm* — Alan D. Kamrath; Karin L. Williams; Mayer & Williams PC

(57) **CLAIM**

The ornamental design for a socket set, as shown and described.

DESCRIPTION

FIG. 1 is a front perspective view of a first embodiment of a socket set having a first socket and a second socket showing my new design;

FIG. 2 is a back perspective view of the socket set of FIG. 1;

FIG. 3 is a front view of the socket set of FIG. 1;

FIG. 4 is a rear view of the socket set of FIG. 1;

FIG. 5 is a left view of the socket set of FIG. 1;

FIG. 6 is a right view of the socket set of FIG. 1;

FIG. 7 is a top view of the socket set of FIG. 1;

FIG. 8 is a bottom view of the socket set of FIG. 1;

FIG. 9 is a front exploded perspective view of the socket set of FIG. 1, showing a combination condition of the first socket and the second socket;

FIG. 10 is a back exploded perspective view of the socket set of FIG. 1;

FIG. 11 is a front perspective view of the first socket of the socket set of FIG. 1;

FIG. 12 is a back perspective view of the first socket of FIG. 11;

FIG. 13 is a top view of the first socket of FIG. 11;

FIG. 14 is a bottom view of the first socket of FIG. 11;

FIG. 15 is a front perspective view of the second socket of the socket set of FIG. 1;

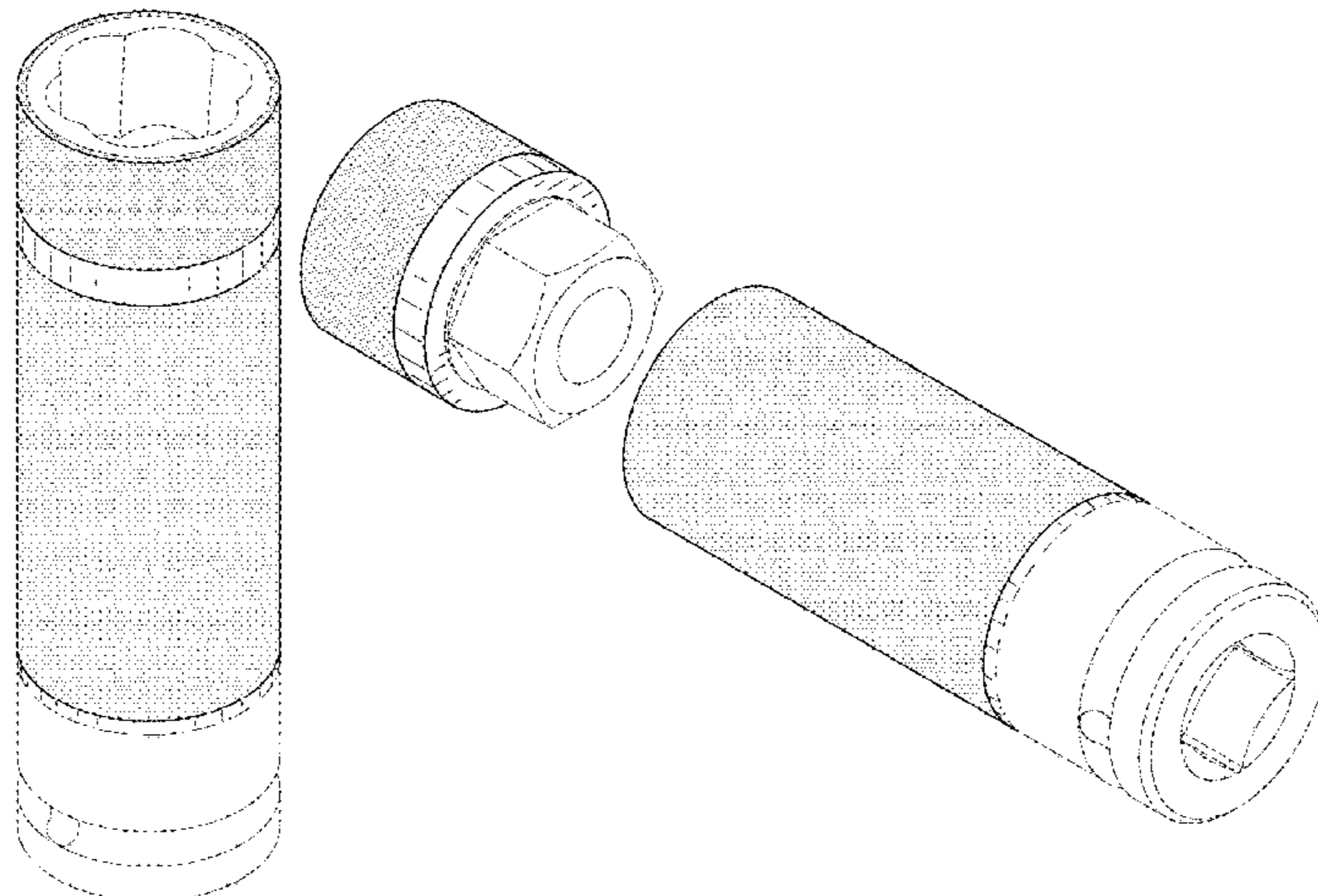
FIG. 16 is a back perspective view of the second socket of FIG. 15;

FIG. 17 is a top view of the first socket of FIG. 15;

FIG. 18 is a bottom view of the first socket of FIG. 15; and,

FIG. 19 is a front perspective view of a second embodiment of the set of socket set having a first socket and a second socket showing my new design.

(Continued)



The broken lines in the drawings depict features that form no part of the claimed design. The dash-dot lines are included to show boundaries that form no part of the claimed design. The stipple shading illustrates surfaces contrast in materials.

1 Claim, 14 Drawing Sheets

(58) **Field of Classification Search**

USPC ... 81/176.15, 461.1, 9, 98, 100, 147.1, 85.1;
30/193, 252, 254
CPC B25B 13/14; B25B 13/04; B25B 13/46;
B25B 13/00; B25B 7/02; B25B 13/505;
B25B 13/5058; B25B 23/0007; B25B
13/28; B25B 23/0035; B25B 13/02; B25B
13/08; B25B 13/50; B25B 7/10; B25B
7/14; B25B 5/147; B25B 5/085; B25B
27/00; B25B 23/142; B25B 23/16; B25B
13/462; B25B 13/065; B25B 13/48; B25B
13/16; B25B 23/00; B25B 13/06; B67B
7/00; B67B 7/18; B21K 5/16

See application file for complete search history.

(56) **References Cited**

U.S. PATENT DOCUMENTS

D542,106 S * 5/2007 Alsobrook D8/29
7,448,121 B1 * 11/2008 Hung C25D 5/022
204/194
D588,886 S * 3/2009 Davis D8/29
D675,496 S * 2/2013 Chang D8/29
D776,504 S * 1/2017 Lee D8/29
D899,204 S * 10/2020 Solar D8/29
2003/0192409 A1 * 10/2003 Wallace B25B 13/06
81/121.1
2004/0216567 A1 * 11/2004 Hsien B25B 13/06
81/124.6

2008/0301928 A1 * 12/2008 Hu G09F 7/165
29/592
2010/0058897 A1 * 3/2010 Alsobrook G09F 23/00
81/121.1
2010/0186556 A1 * 7/2010 Lin B25B 13/06
81/125
2010/0269643 A1 * 10/2010 Kelly B25B 23/101
81/125
2014/0013905 A1 * 1/2014 Li B25B 13/06
81/124.4
2014/0053692 A1 * 2/2014 Hu B25B 13/06
81/121.1
2014/0123818 A1 * 5/2014 Sumg B25B 13/06
81/124.6
2015/0165616 A1 * 6/2015 Chern B25B 13/06
206/349
2020/0139522 A1 * 5/2020 Chiang B25B 13/06

FOREIGN PATENT DOCUMENTS

EM 004420628-0001 * 10/2017 8/5
JP D1277201 * 9/2005 8/5
KR 300818813.0000 * 4/2015 8/5
KR 301012804.0000 * 12/2018 8/5

OTHER PUBLICATIONS

ARES, 70056—1/2-inch Drive 4-Piece Flip Lug Nut Socket Set, Date first available May 17, 2016, [online]retrieved Dec. 23, 2020, available from internet, https://www.amazon.com/ARES-2-inch-Chrome-Molybdenum-Ensures-Lifetime/dp/B01FT26IGS/ref=sr_1_232?dchild=1&keywords=two+parts+impact+socket&qid=1608 (Year: 2016).*

ARES, 59004—19mm 1/2-Inch Drive Non-Marring Lug Nut Socket, Date first available Nov. 5, 2015, [online]retrieved Dec. 23, 2020, available from internet, https://www.amazon.com/dp/B07VYNYDL4/ref=sspa_dk_detail5?psc=1&pd_rd_i=B07VYNYDL4&pd_rd_w=IXH2T&pf_rd_p=7d37a48b-2b1a-4373-8c1a-bdccc5da6 (Year: 2015).*

* cited by examiner

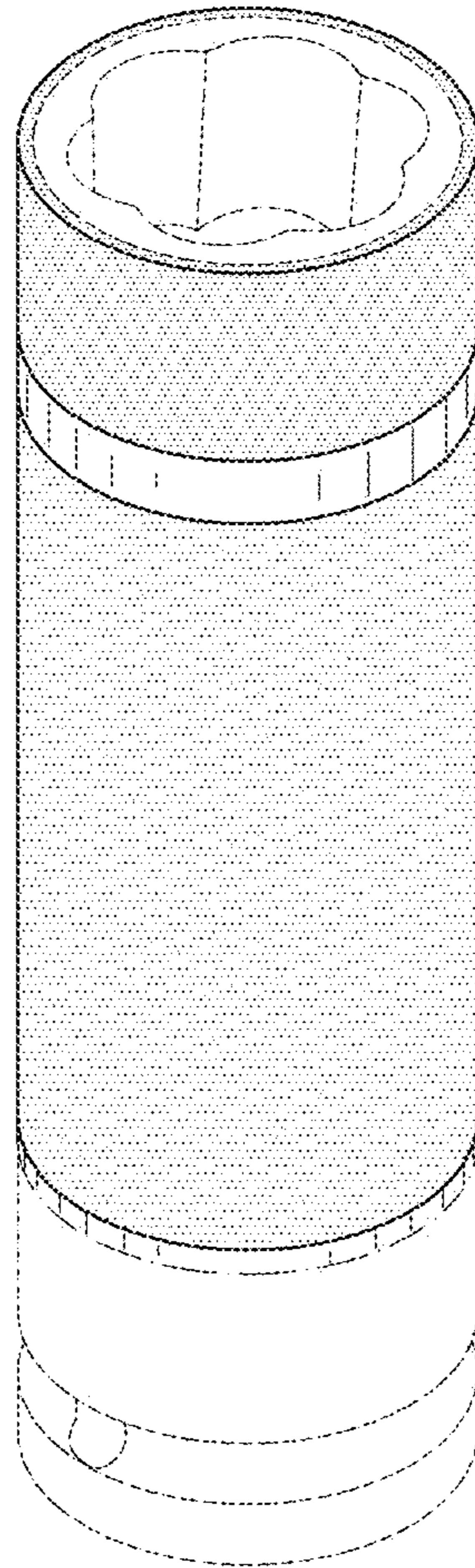


FIG. 1

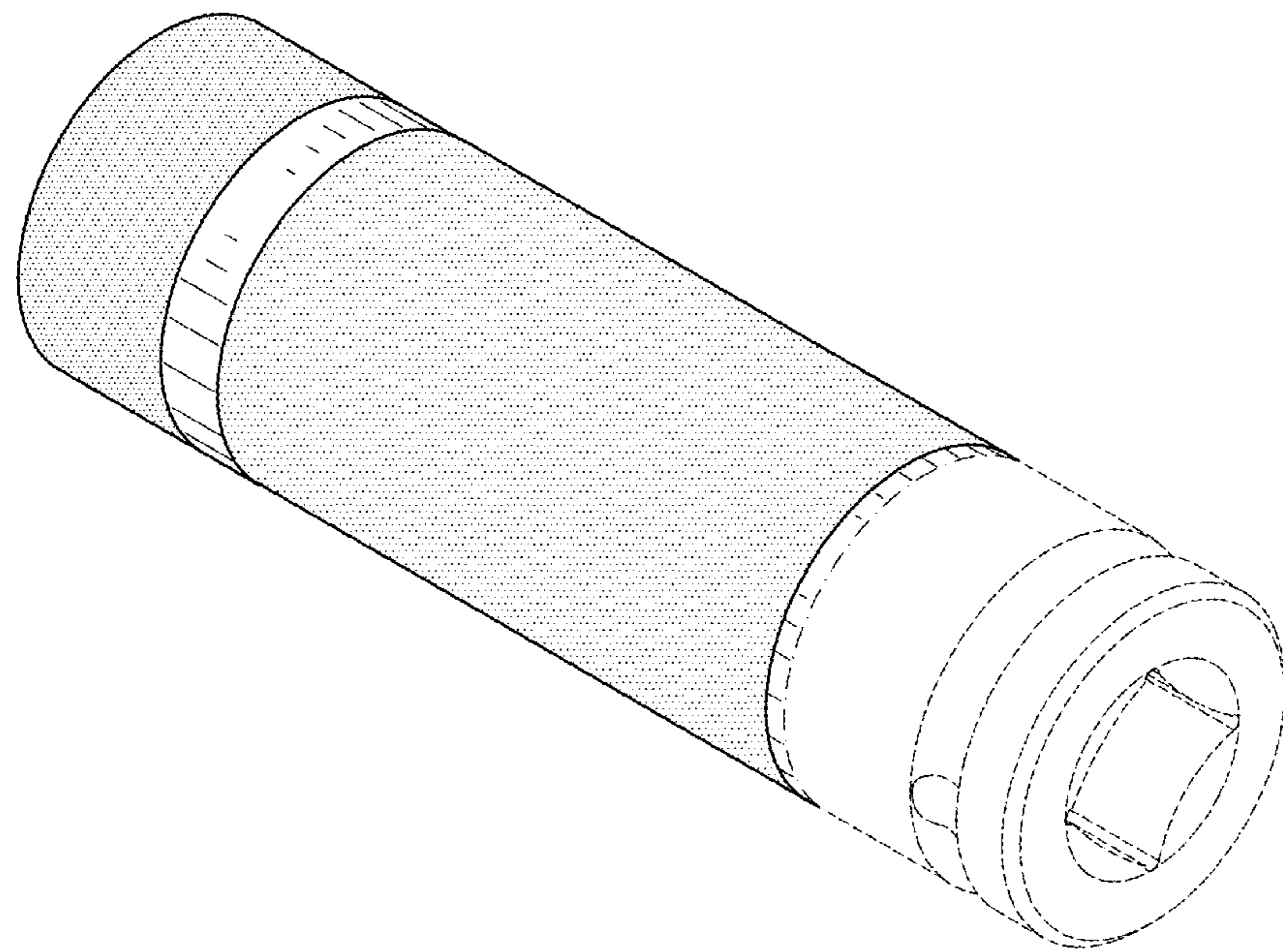


FIG. 2

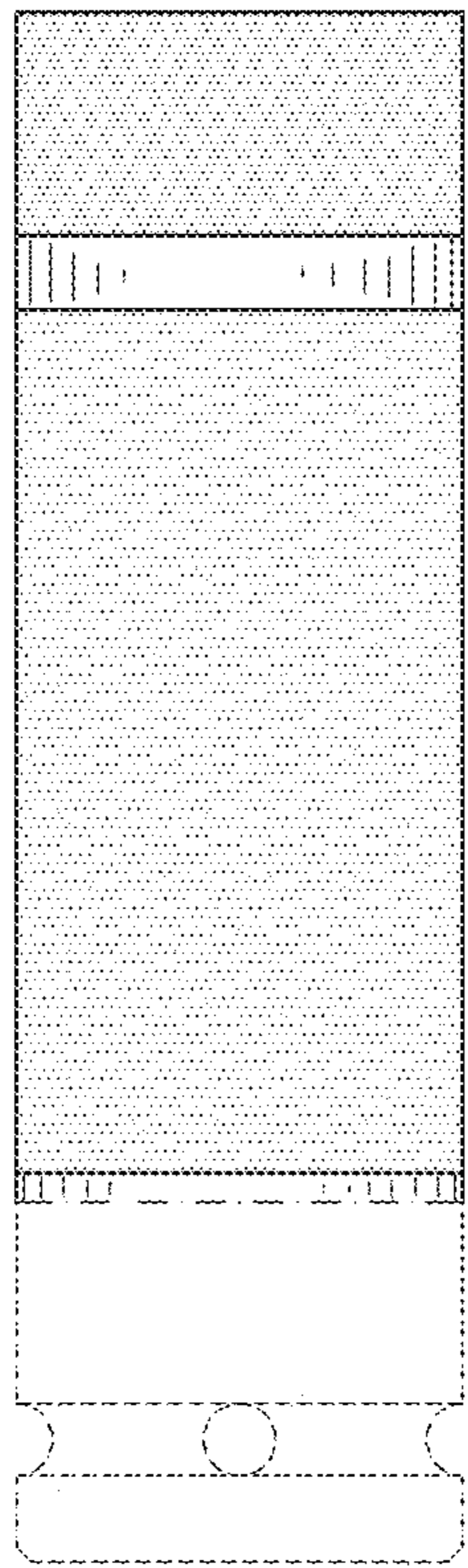


FIG. 3

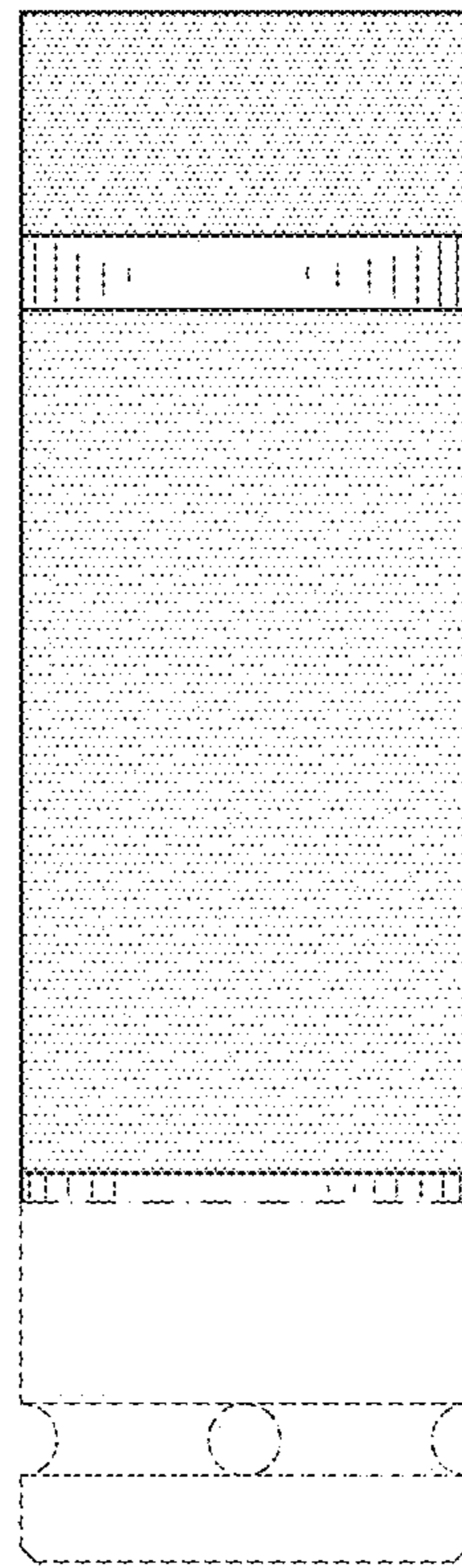


FIG. 4

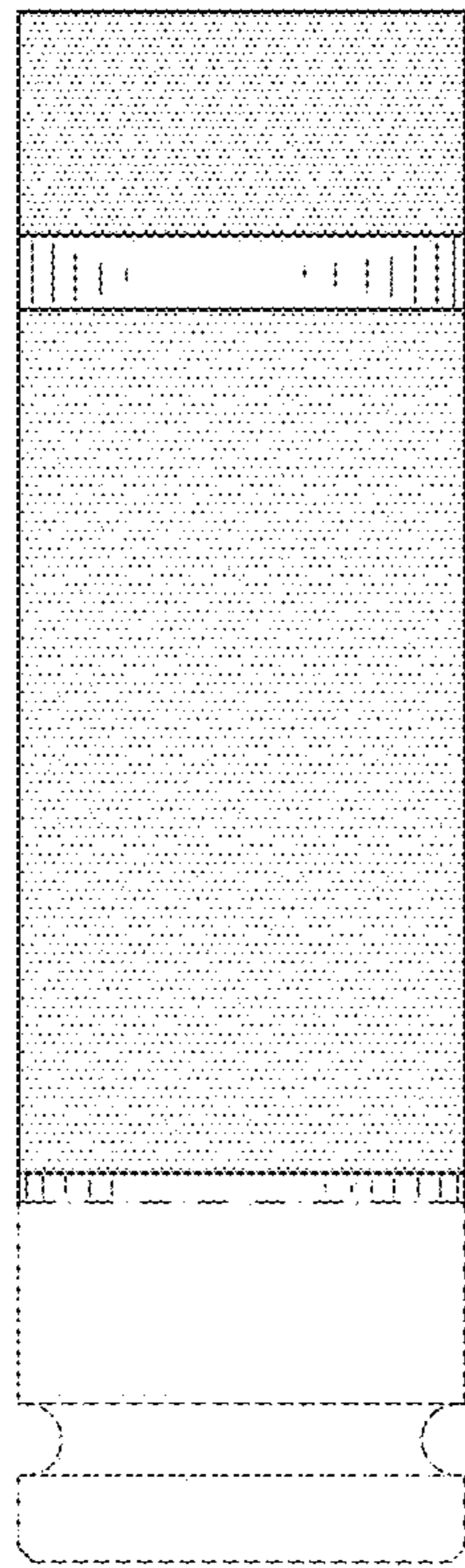


FIG. 5

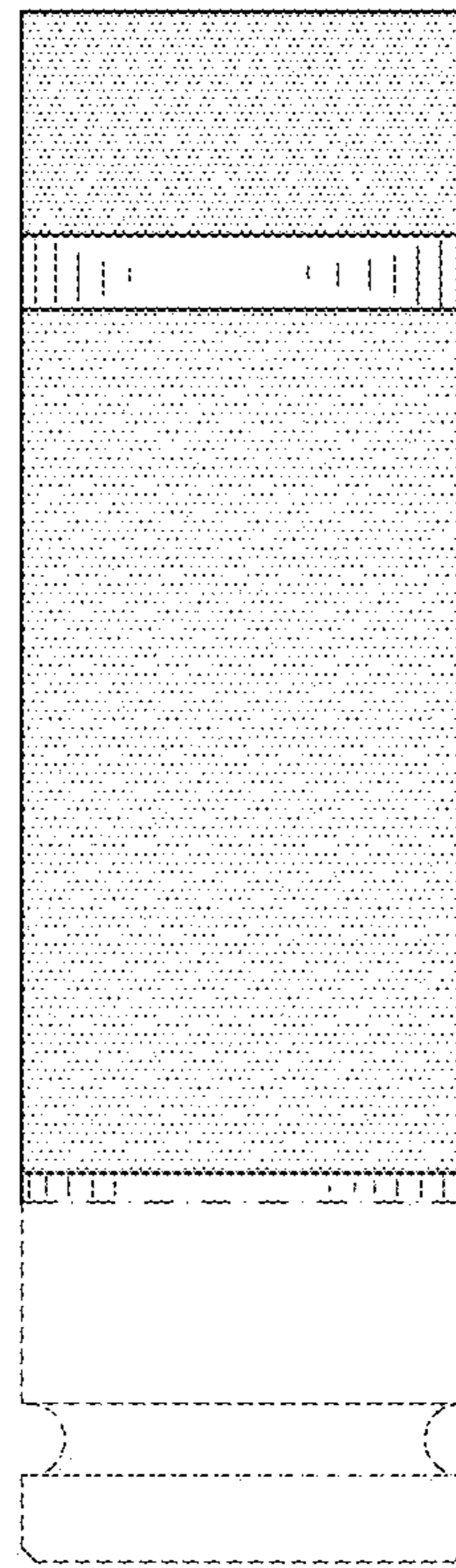


FIG. 6

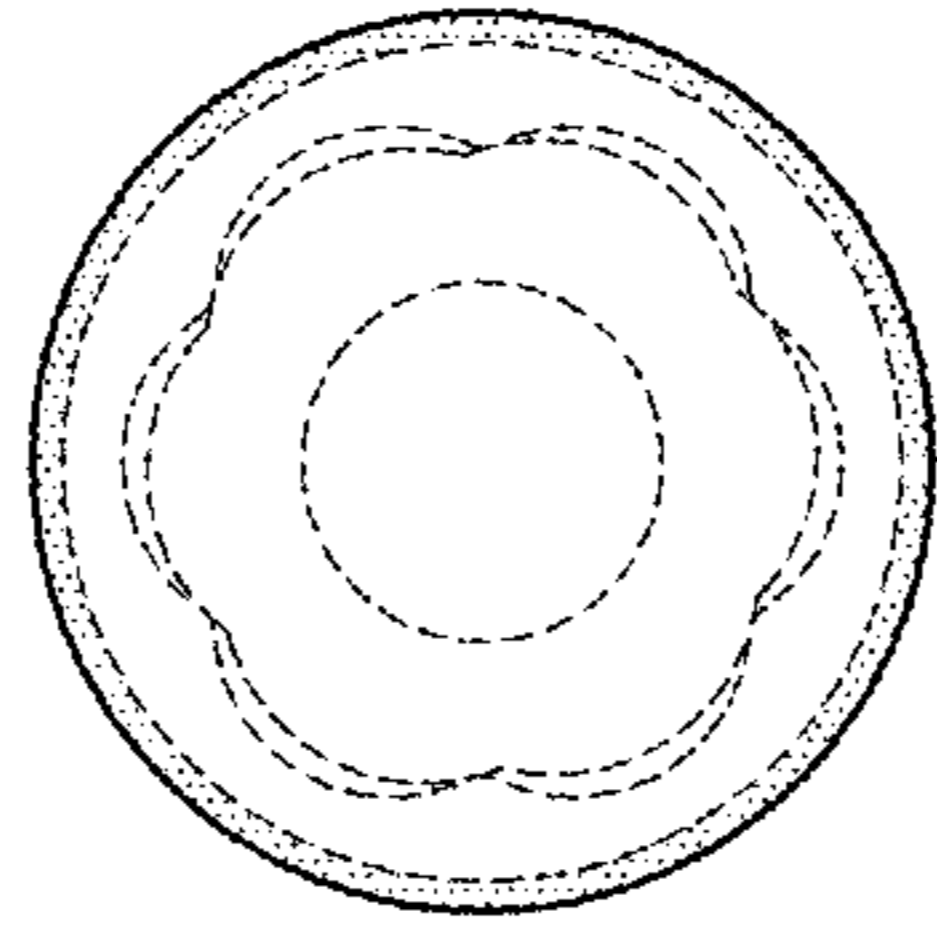


FIG. 7

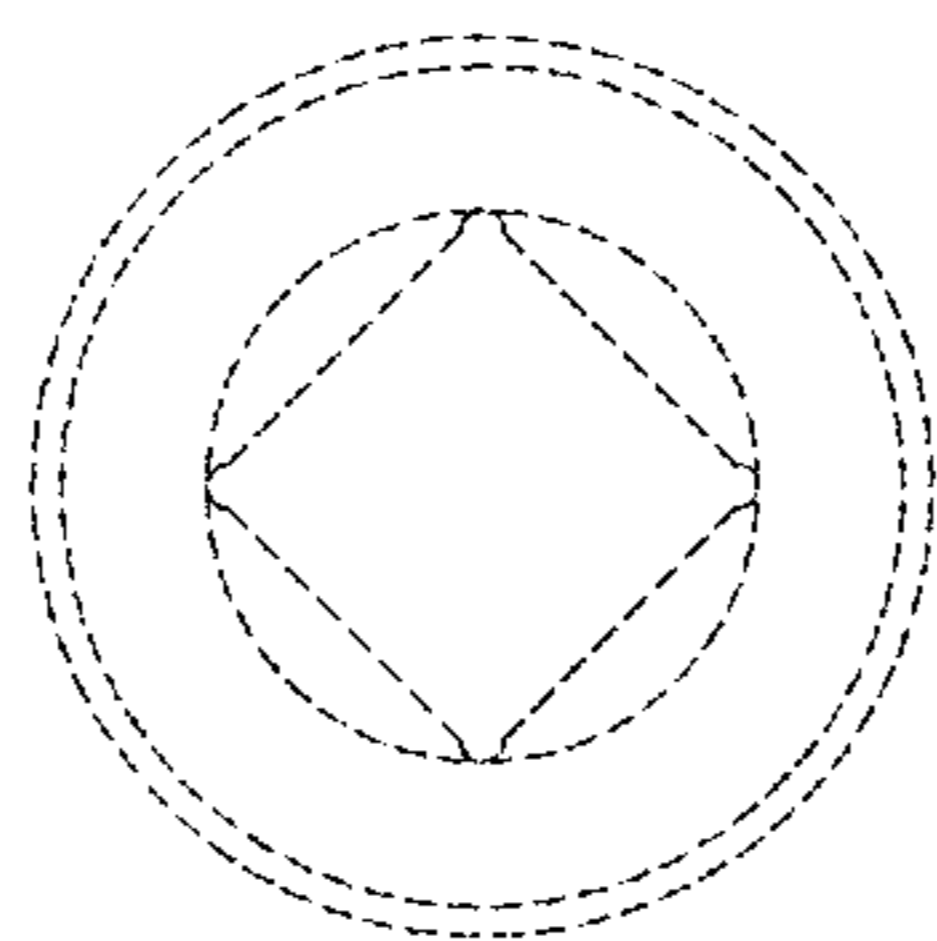
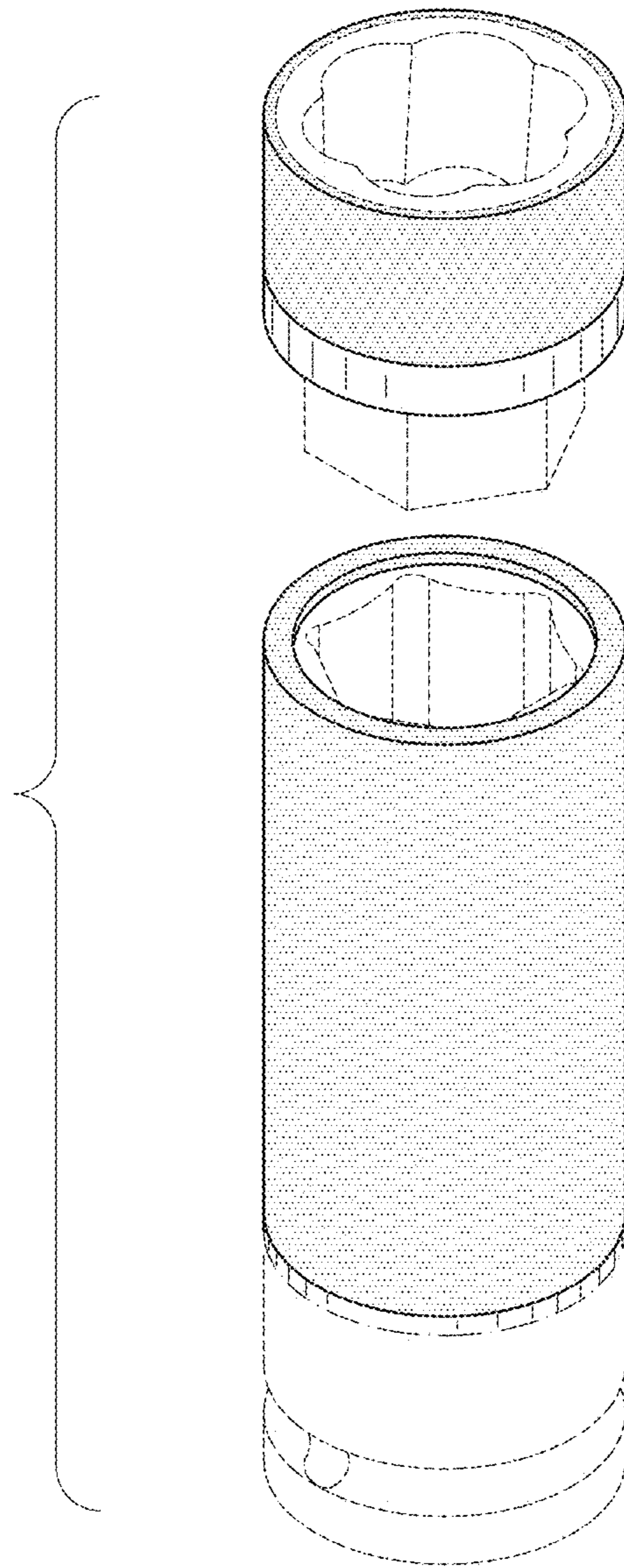


FIG. 8

FIG. 9



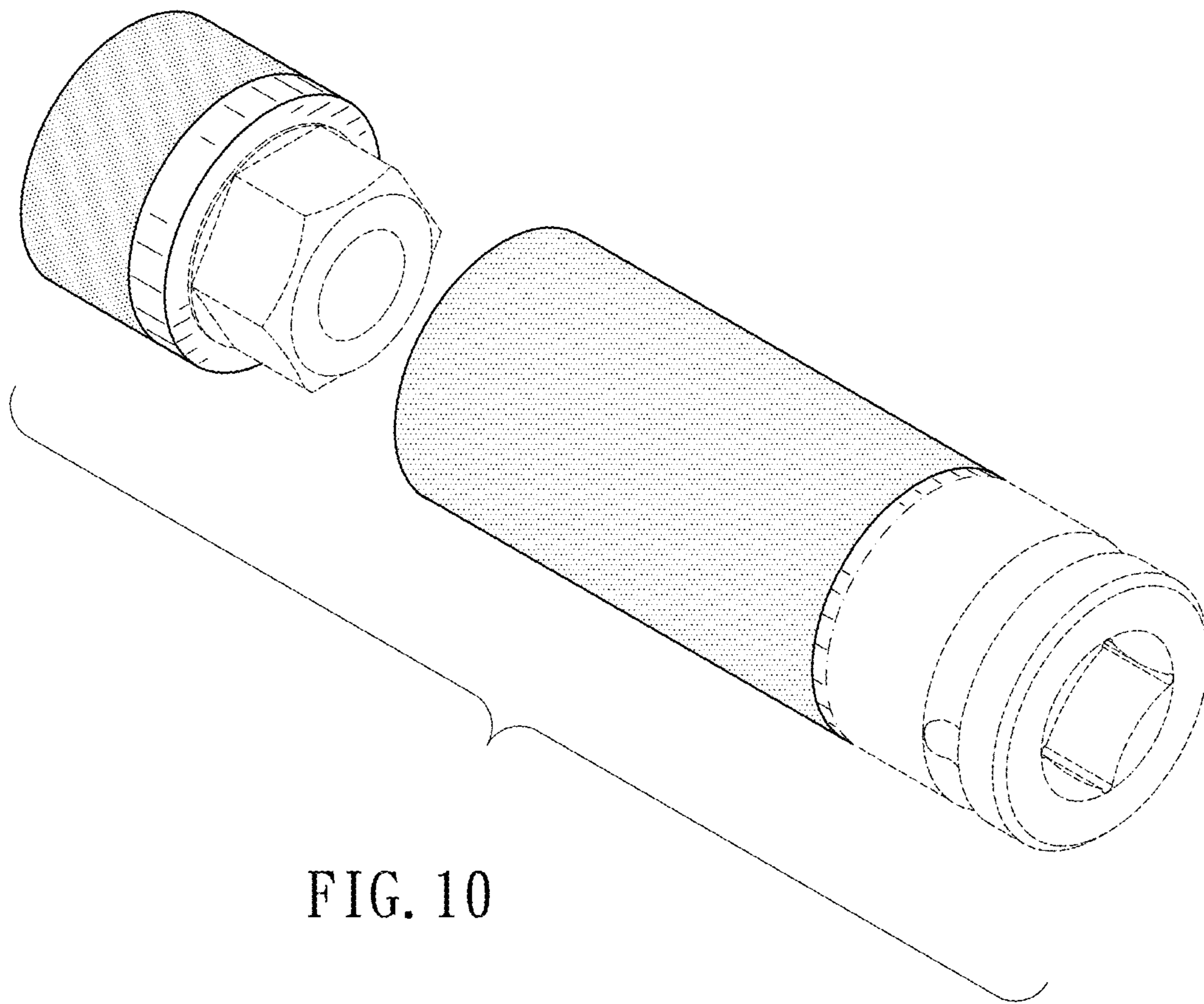


FIG. 10

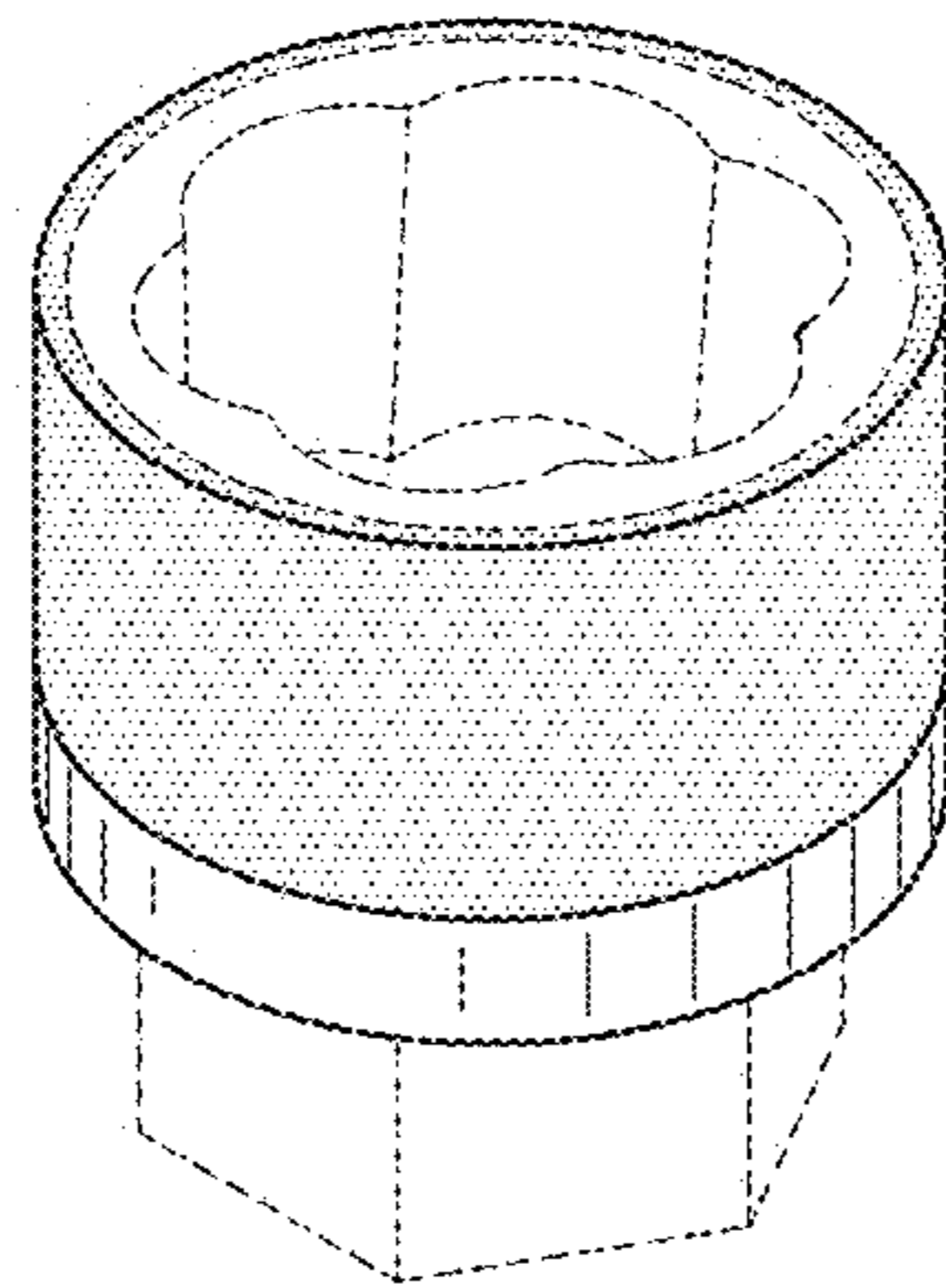


FIG. 11

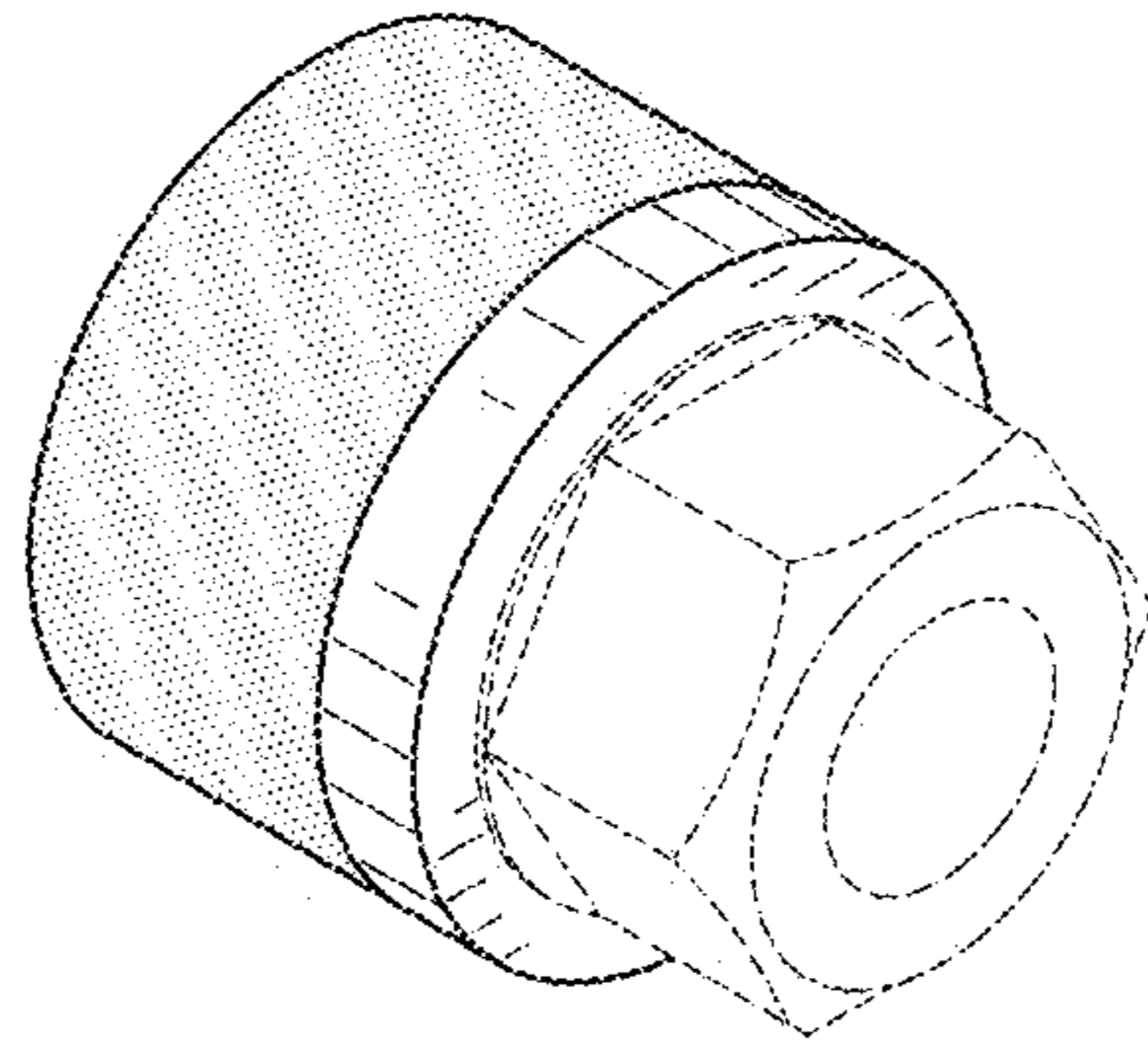


FIG. 12

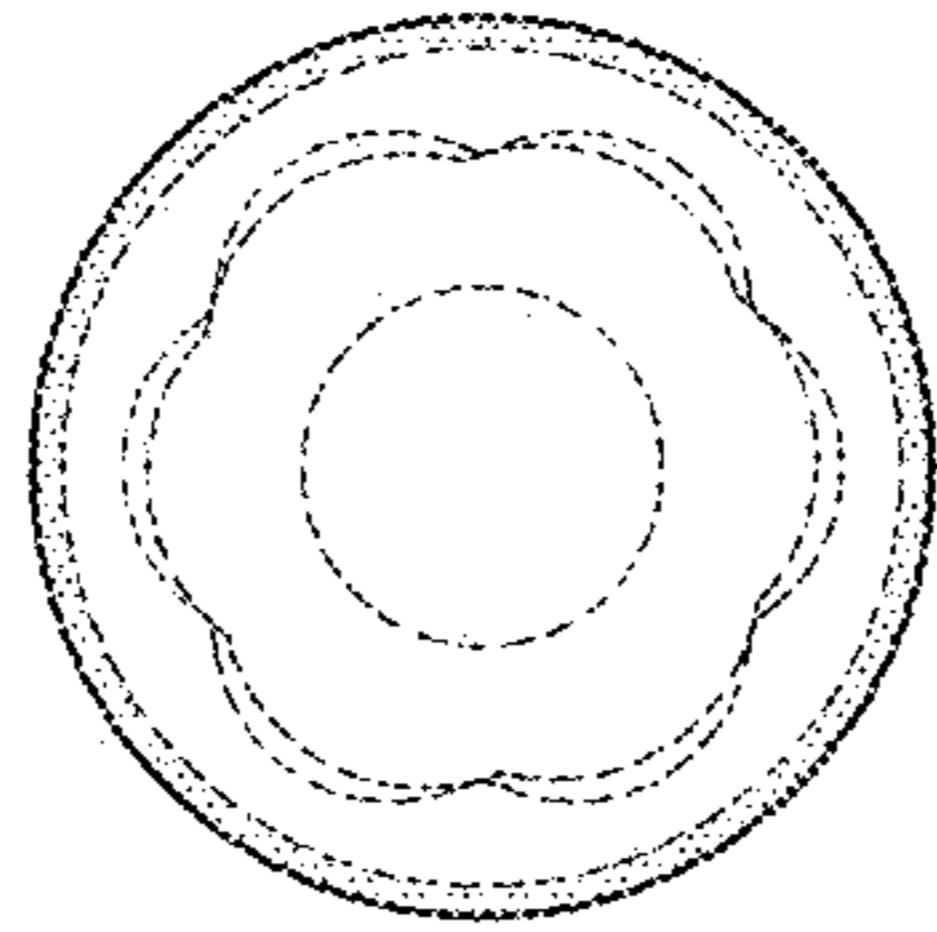


FIG. 13

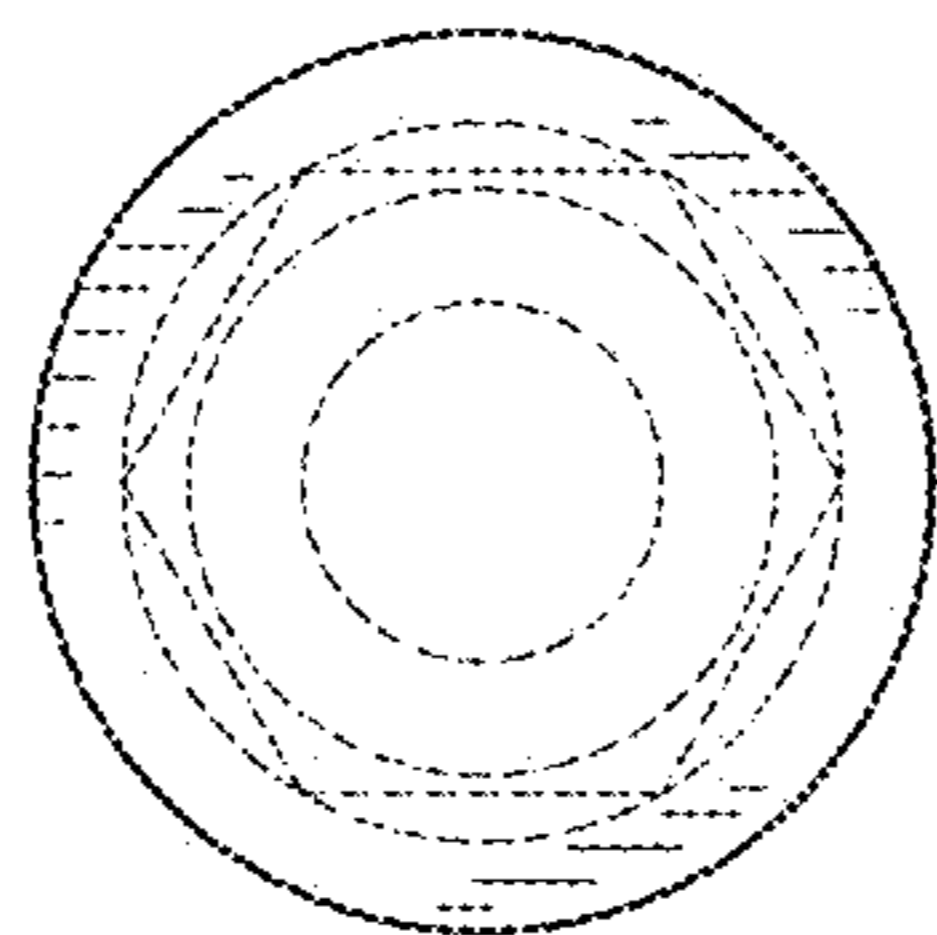


FIG. 14

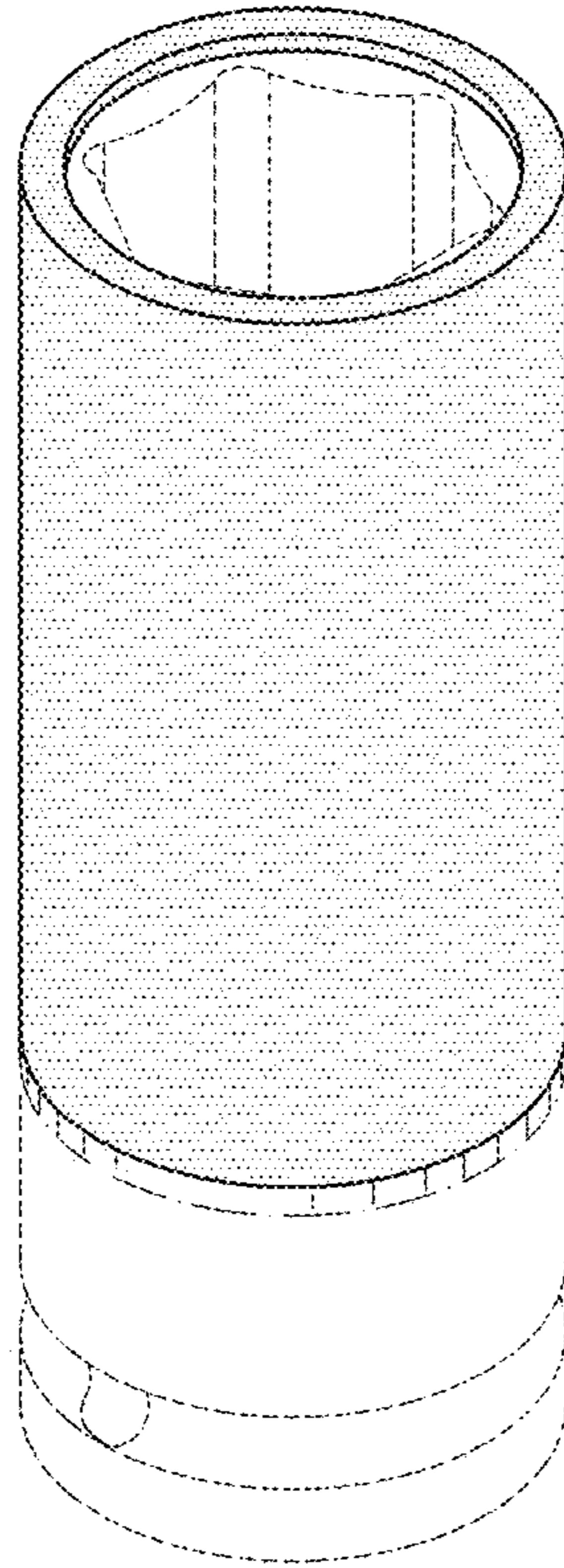


FIG. 15

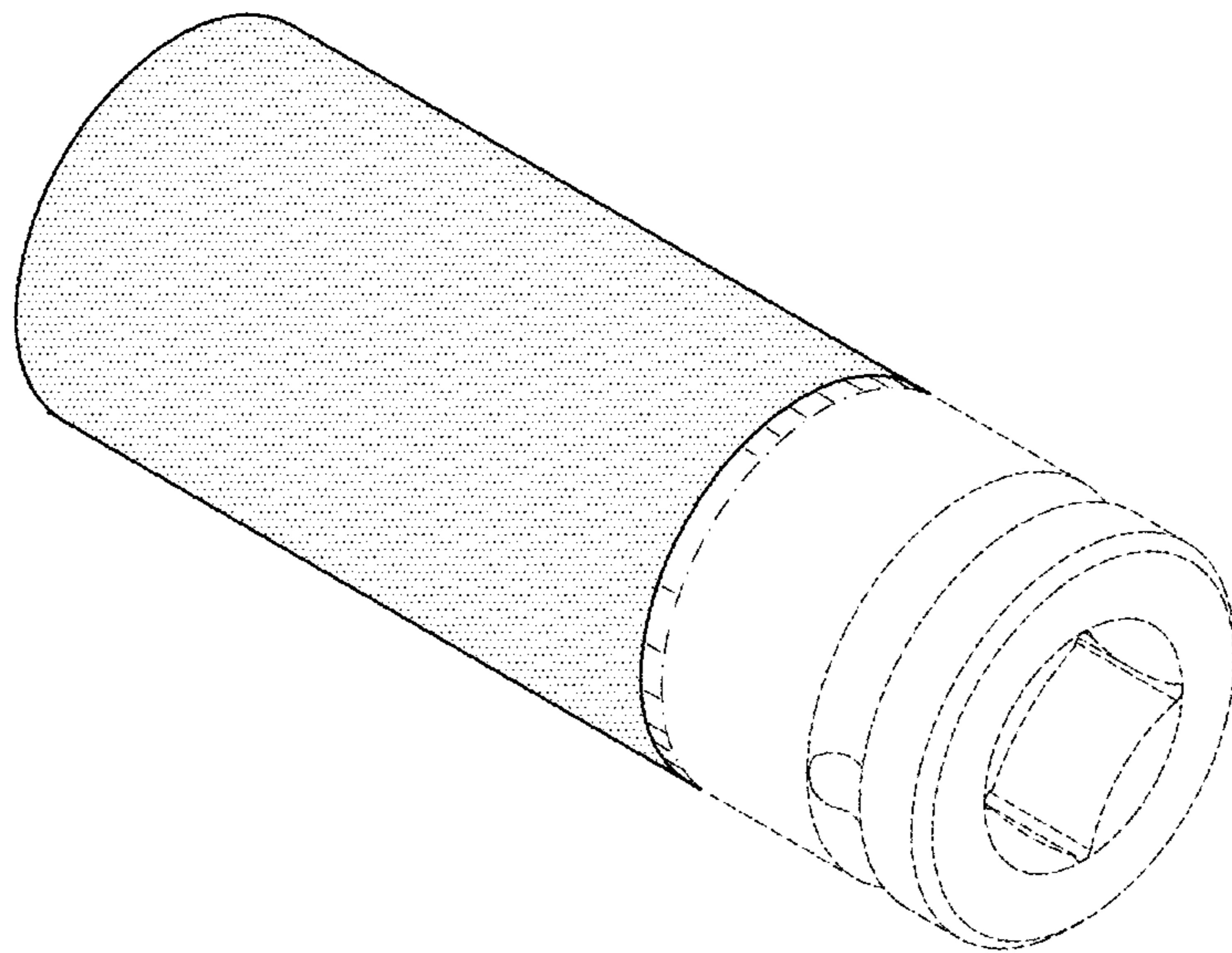


FIG. 16

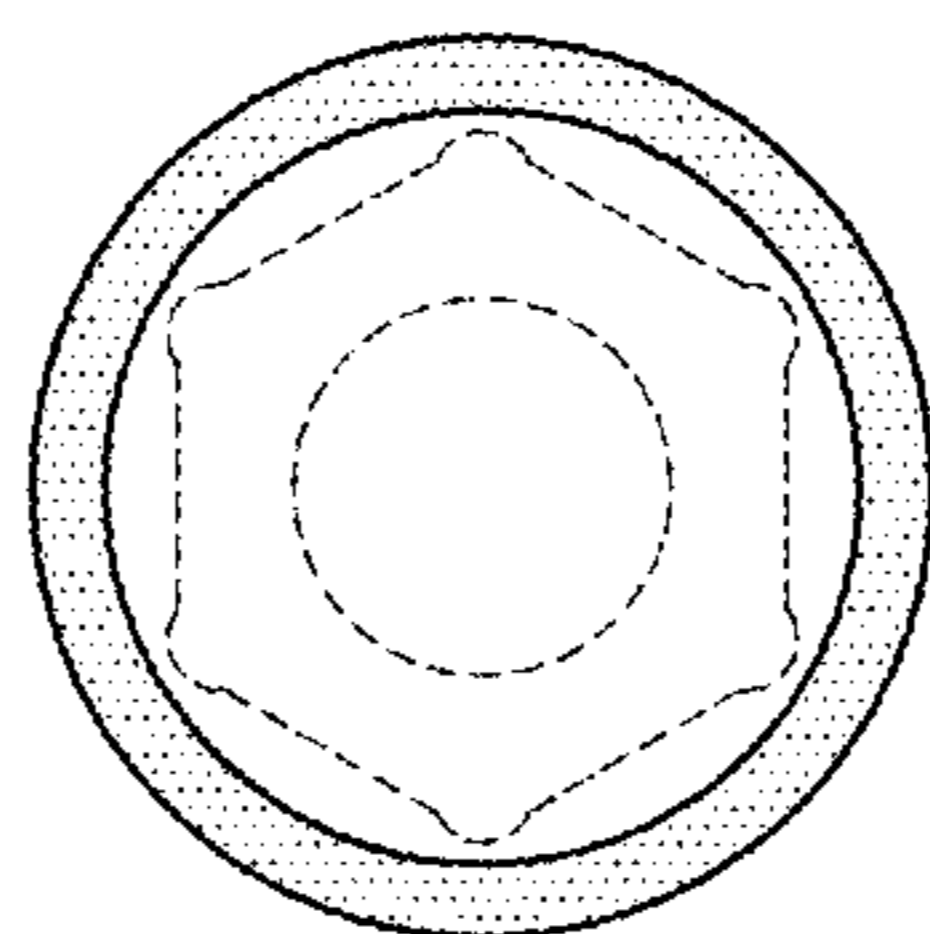


FIG. 17

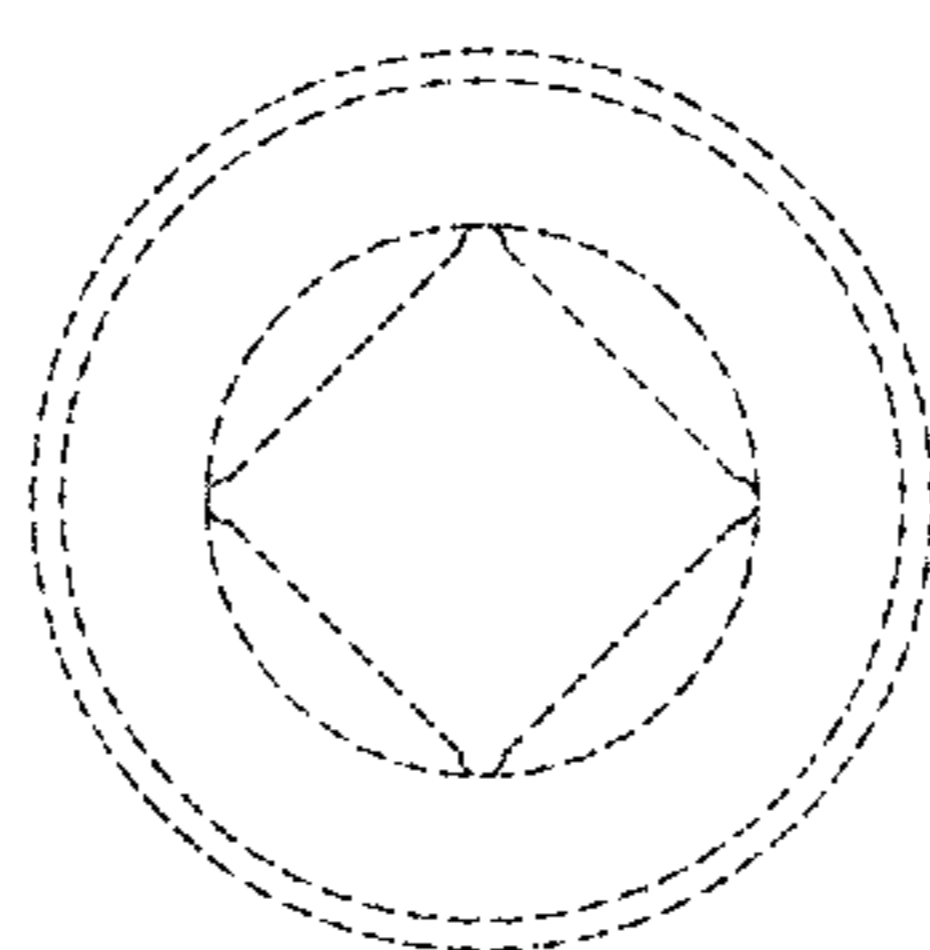


FIG. 18

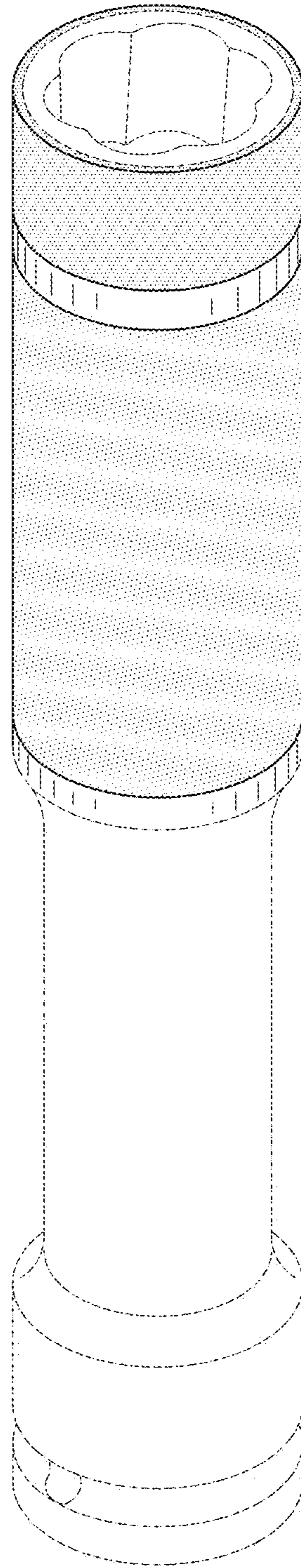


FIG. 19