



US00D937058S

(12) **United States Design Patent**
Turbin et al.

(10) **Patent No.:** **US D937,058 S**

(45) **Date of Patent:** **** Nov. 30, 2021**

- (54) **NO TOUCH DOOR OPENER**
- (71) Applicant: **Safe-T-Innovations, LLC**, Munster, IN (US)
- (72) Inventors: **Leslie Turbin**, Munster, IN (US);
Rachel Turbin, Munster, IN (US)
- (73) Assignee: **Safe-T-Innovations LLC**, Munster, IN (US)
- (**) Term: **15 Years**

D646,556	S	*	10/2011	Kelleghan	D8/356
D694,613	S	*	12/2013	Miles	D8/367
D737,640	S	*	9/2015	Manwaring	D8/17
D758,824	S	*	6/2016	Kelleghan	D8/105
D765,493	S	*	9/2016	Spater	D8/356
D773,911	S	*	12/2016	Louis	D8/34
D778,132	S	*	2/2017	Fischer	D8/17
D792,922	S	*	7/2017	Benson	D17/22
D802,399	S	*	11/2017	Ward	D8/367
10,036,415	B2	*	7/2018	Yitzhaki	A44B 15/00
D885,871	S	*	6/2020	Adelman	D8/356
D893,986	S	*	8/2020	Adelman	D8/367
10,882,178	B1	*	1/2021	Chang	E05B 1/0053

* cited by examiner

- (21) Appl. No.: **29/734,241**
- (22) Filed: **May 11, 2020**
- (51) **LOC (13) Cl.** **08-05**
- (52) **U.S. Cl.**
USPC **D8/14**
- (58) **Field of Classification Search**
USPC D8/14, 17, 19, 105, 107, 300; D3/210;
D24/133
CPC . A45F 5/102; A45F 2005/1086; B65D 83/04;
F16B 45/00; A44B 15/00
See application file for complete search history.

Primary Examiner — Philip S Hyder

(74) *Attorney, Agent, or Firm* — Overhauser Law Offices, LLC

(57) **CLAIM**

The ornamental design for a no touch door opener, as shown and described.

DESCRIPTION

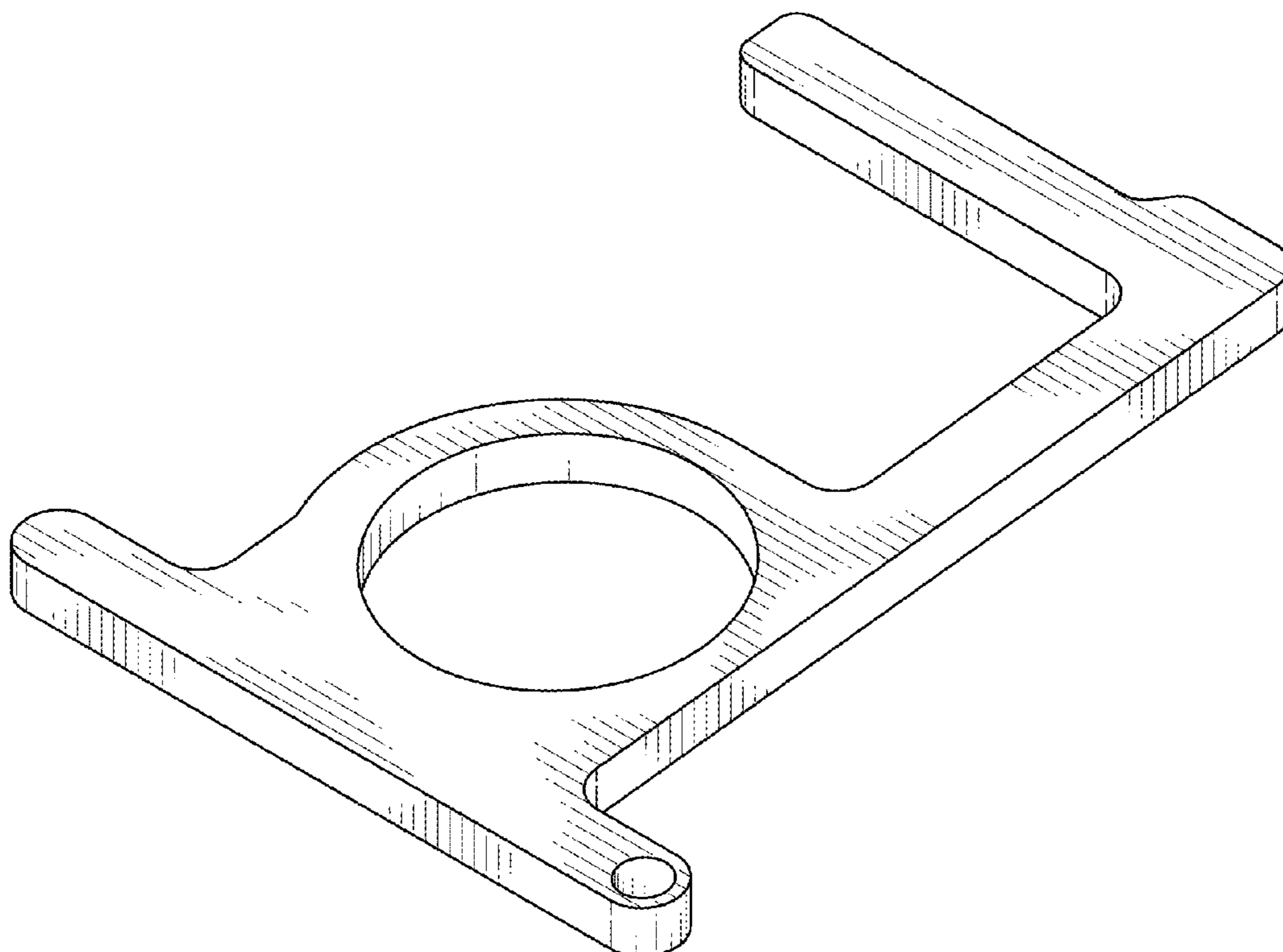
FIG. 1 is a perspective view of the no touch door opener.
 FIG. 2 is a front view of no touch door opener.
 FIG. 3 is a rear view of the no touch door opener.
 FIG. 4 is a left side view of the no touch door opener.
 FIG. 5 is a right side view of the no touch door opener.
 FIG. 6 is a top view of the no touch door opener; and,
 FIG. 7 is a bottom view of the no touch door opener.

(56) **References Cited**

U.S. PATENT DOCUMENTS

D444,685	S	*	7/2001	Shenkel	D3/208
6,447,033	B1	*	9/2002	Koneczak	B65G 7/12 294/15
7,178,845	B1	*	2/2007	Metzger	E05B 1/0053 294/169

1 Claim, 5 Drawing Sheets



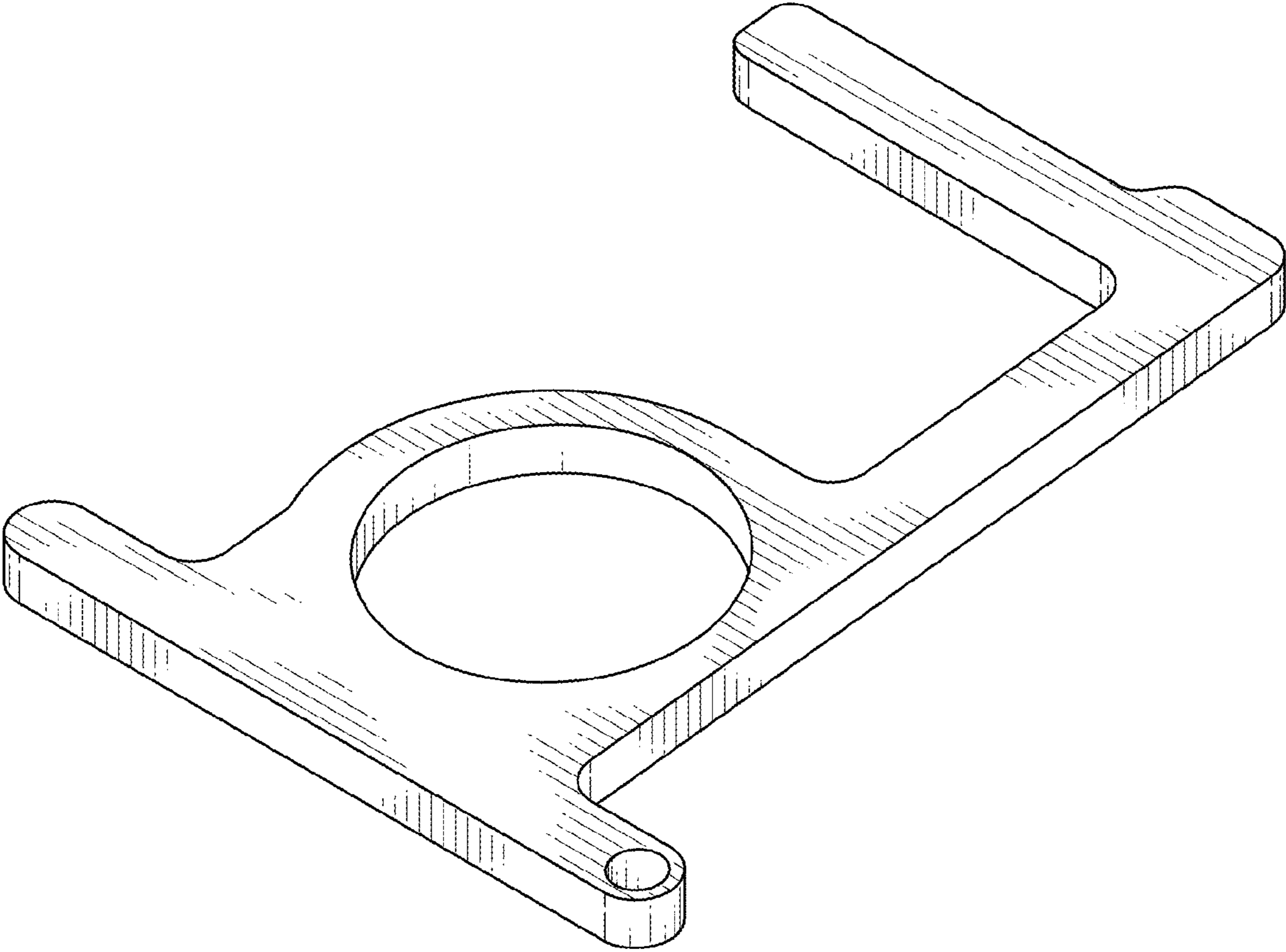


FIG. 1



FIG. 2



FIG. 3



FIG. 4



FIG. 5

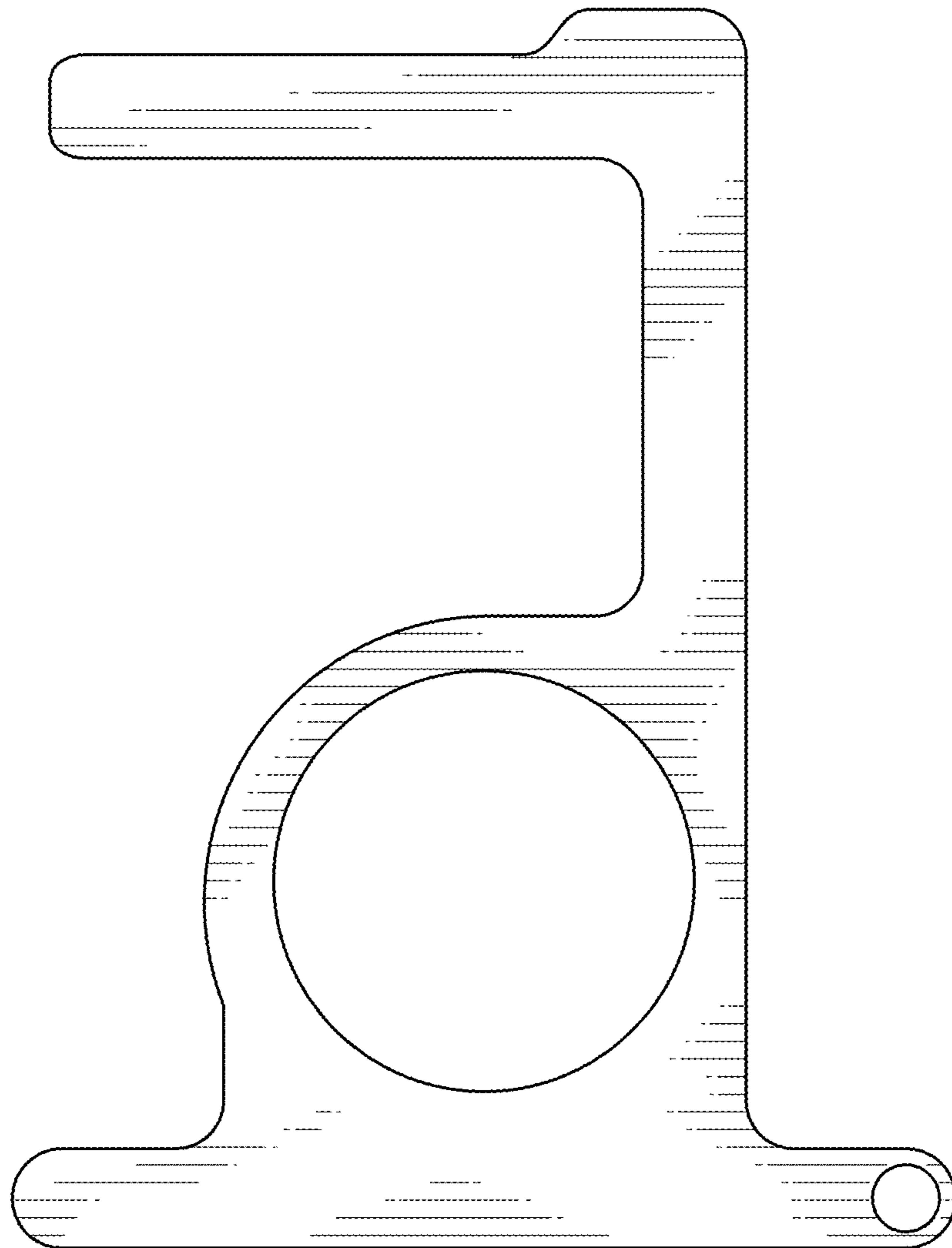


FIG. 6

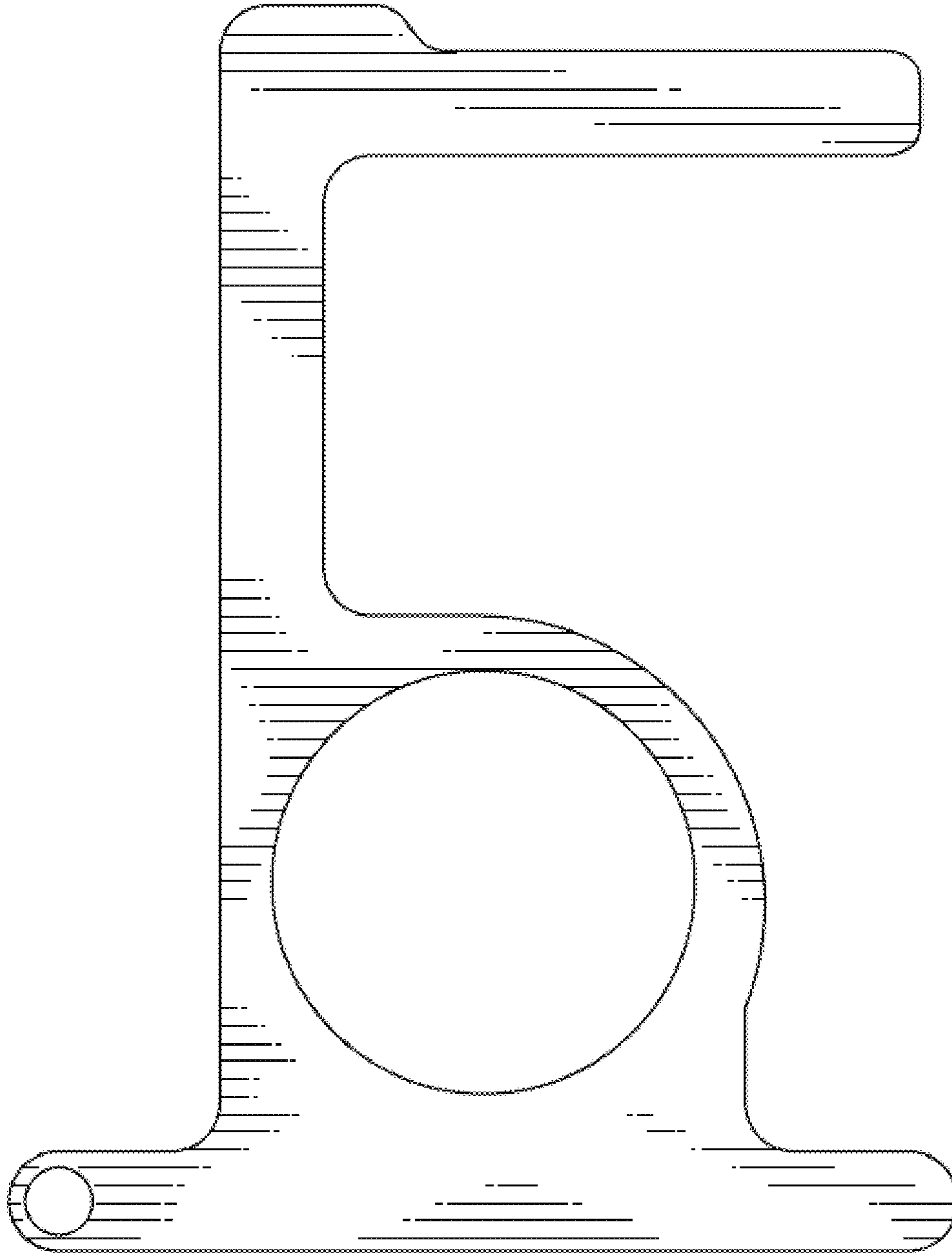


FIG. 7