



US00D937057S

(12) **United States Design Patent** (10) **Patent No.:** **US D937,057 S**
Vallo et al. (45) **Date of Patent:** **** Nov. 30, 2021**

(54) **KNIFE**

(71) Applicant: **Fiskars Finland Oy Ab**, Helsinki (FI)

(72) Inventors: **Nicholas Vallo**, Madison, WI (US);
Stephen Dechant, Waunakee, WI (US);
Brian Rojas-Edge, Madison, WI (US)

(73) Assignee: **FISKARS FINLAND OY AB**, Helsinki (FI)

(**) Term: **15 Years**

(21) Appl. No.: **29/711,675**

(22) Filed: **Nov. 1, 2019**

(51) **LOC (13) Cl.** **08-03**

(52) **U.S. Cl.**
USPC **D8/12; D7/650**

(58) **Field of Classification Search**
USPC D8/1, 5, 7, 9, 12, 99; 30/355, 314, 357,
30/299; D7/649-651
CPC B26B 9/00; B26B 9/02; H01H 15/005
See application file for complete search history.

(56) **References Cited**

U.S. PATENT DOCUMENTS

D167,498 S *	8/1952	Anderson	D8/9
D175,248 S *	8/1955	Carroll	D7/650
2,895,218 A *	7/1959	Petzoldt	B26B 9/02 30/355
D208,990 S *	10/1967	Dalianis	D8/12
4,015,331 A *	4/1977	Balke	B26B 9/02 30/355
D600,518 S *	9/2009	Liu	D8/9
D747,162 S *	1/2016	Furman	D7/649
D845,720 S *	4/2019	Furman	D7/650
D917,259 S *	4/2021	Vallo	D8/99

OTHER PUBLICATIONS

Fiskars 340150-1001 Food Gardening Harvesting Knife, Black/Orange . . . https://www.amazon.com/Fiskars-340150-1001-Gardening-Harvesting-Orange/dp/B092MX1M91/ref=sr_1_9?dchild=1&keywords=fiskars+knives&qid=1625177085&sr=8-9 (Date unknown).*

* cited by examiner

Primary Examiner — Catherine R Oliver-Garcia
(74) *Attorney, Agent, or Firm* — Leason Ellis LLP

(57) **CLAIM**

The ornamental design for a knife, as shown and described.

DESCRIPTION

FIG. 1 is a perspective view of a knife according to our new design;

FIG. 2 is a front view thereof;

FIG. 3 is a rear view thereof;

FIG. 4 is a right, side view thereof;

FIG. 5 is a left, side view thereof;

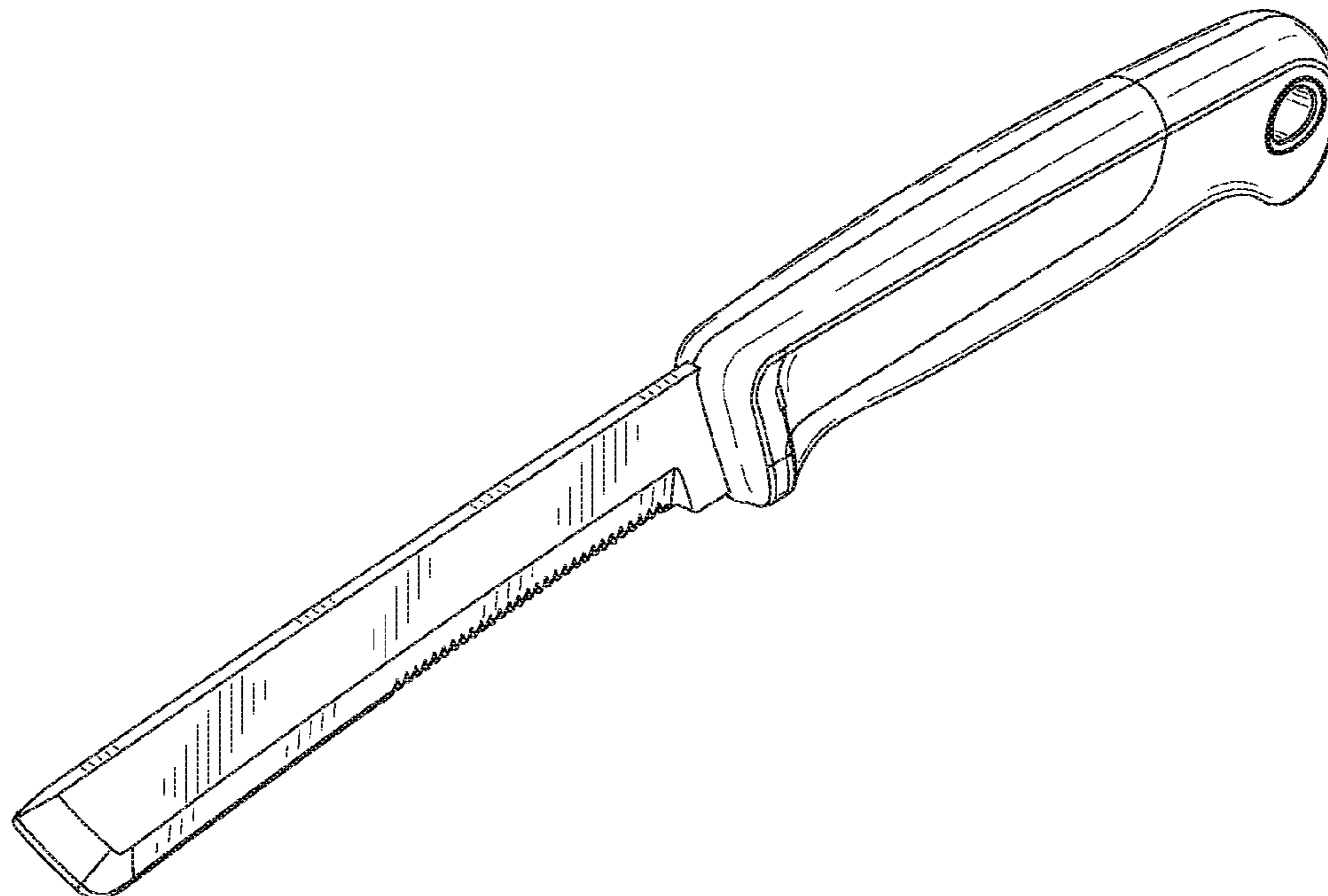
FIG. 6 is a top plan view thereof; and,

FIG. 7 is a bottom plan view thereof.

Conventional shading is illustrated for purposes of highlighting the line drawings, but forms no part of the claimed design.

Our design is not limited to the exact details shown in the drawings, since equivalents and colorable imitations thereof will be evident to a person of ordinary skill in the art. Within the scope of the appended claim, in which we intend to cover only the ornamental and novel elements shown in the drawings, our invention may be practiced otherwise than as specifically shown and described herein.

1 Claim, 7 Drawing Sheets



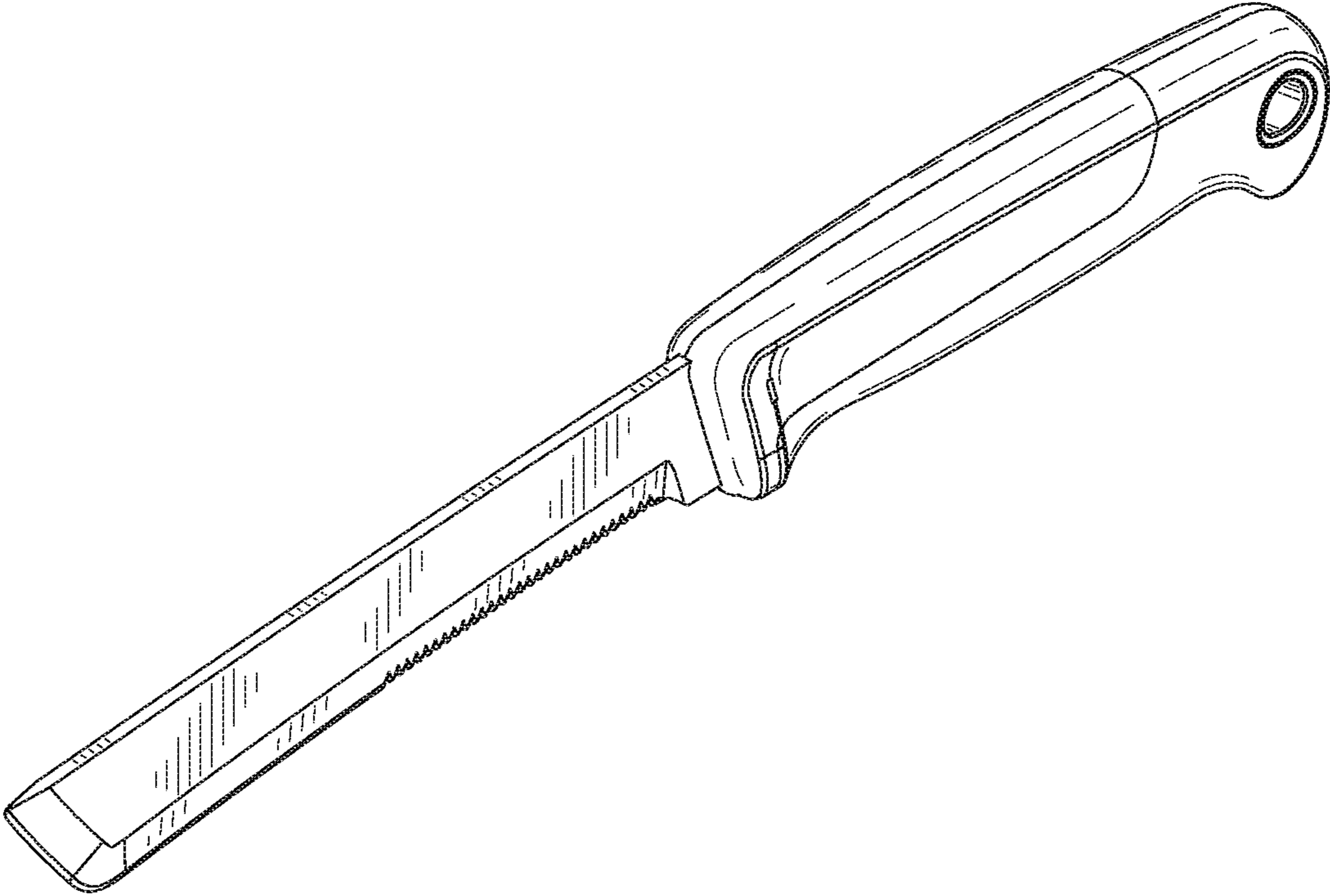


FIG. 1

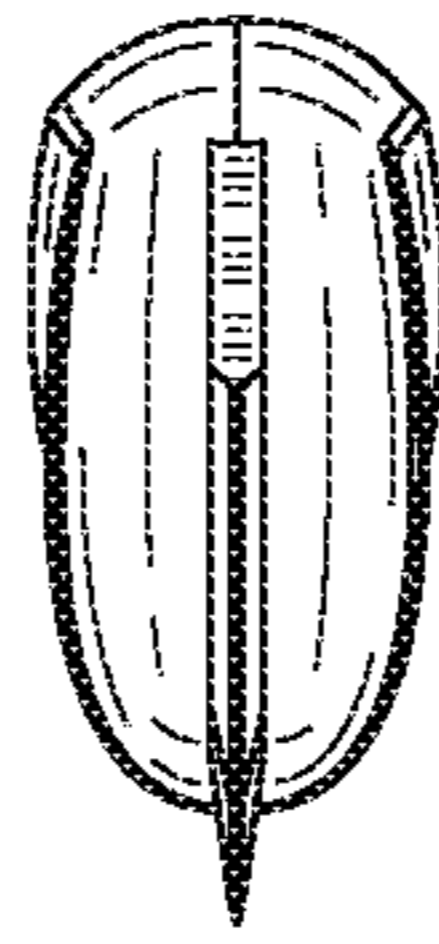


FIG. 2

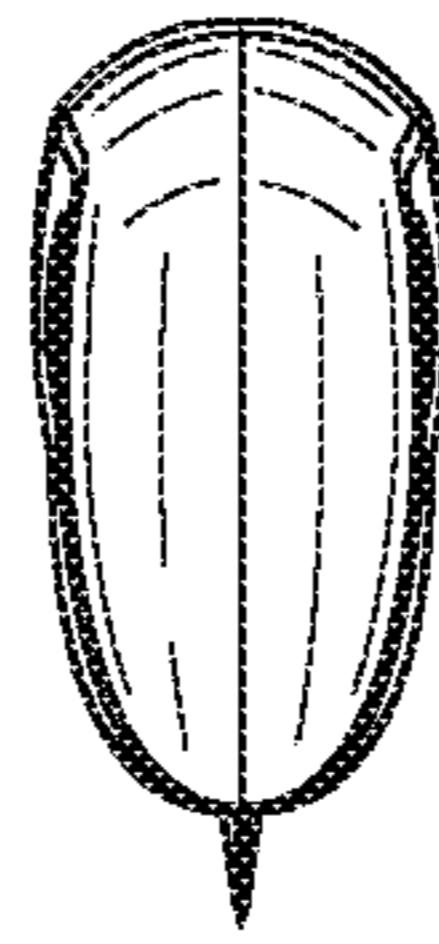


FIG. 3

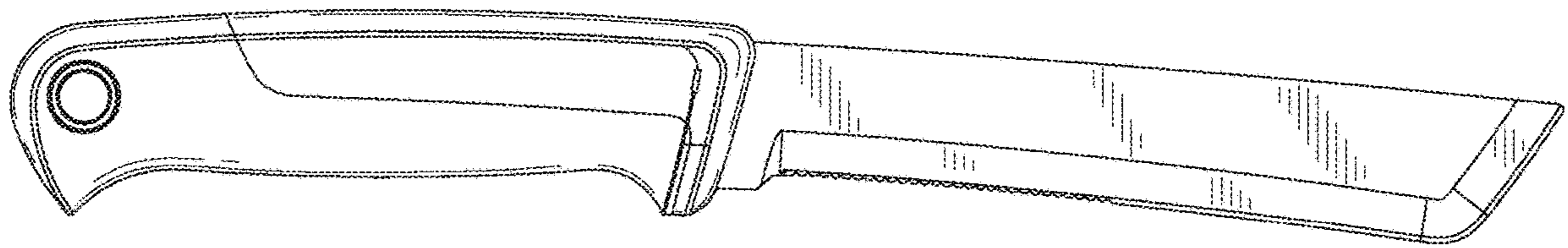


FIG. 4

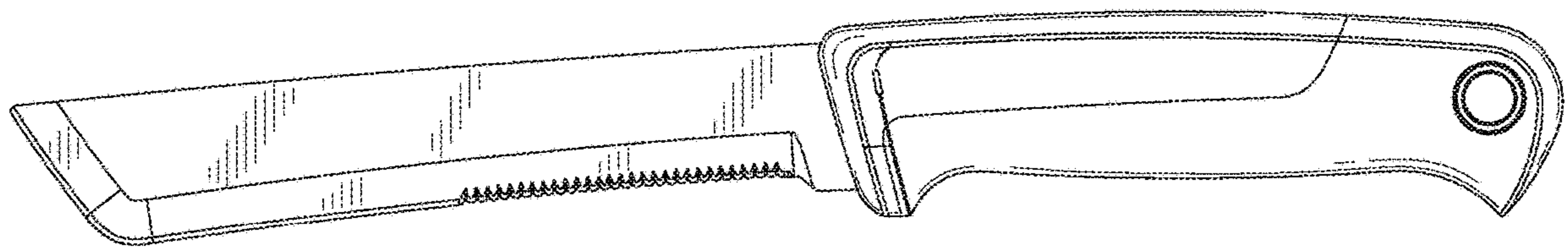


FIG. 5

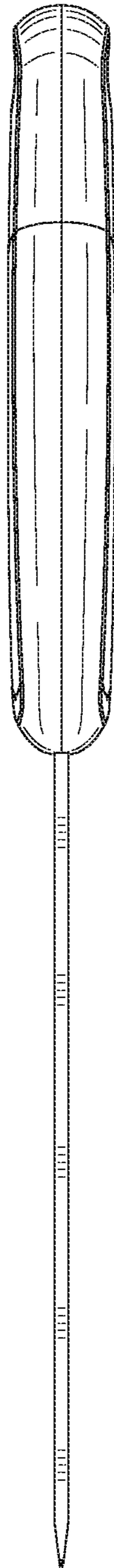


FIG. 6

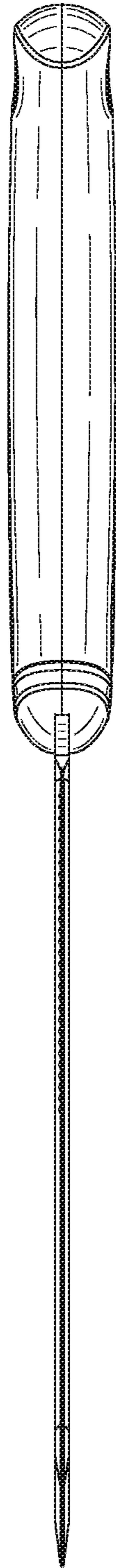


FIG. 7