



US00D937056S

(12) **United States Design Patent** (10) **Patent No.:** **US D937,056 S**  
**Coogan et al.** (45) **Date of Patent:** **\*\* Nov. 30, 2021**

(54) **WINE SERVER**

(71) Applicant: **Westmont Crafted Products LLC**,  
 Naperville, IL (US)

(72) Inventors: **James L. Coogan**, Naples, FL (US);  
**John V. DeLuca**, Darien, IL (US);  
**John L. DeLuca**, Naperville, IL (US);  
**Mark W. Coogan**, Winfield, IL (US)

(73) Assignee: **WESTMONT CRAFTED PRODUCTS LLC**,  
 Naperville, IL (US)

(\*\*) Term: **15 Years**

(21) Appl. No.: **29/711,729**

(22) Filed: **Nov. 1, 2019**

(51) **LOC (13) Cl.** ..... **07-06**

(52) **U.S. Cl.**  
 USPC ..... **D7/701**

(58) **Field of Classification Search**  
 USPC ..... D7/601, 602, 701, 703, 705, 706, 707,  
 D7/708, 708.1, 550.1, 552.2, 604, 619.1,  
 D7/619.2, 622, 702; D3/201, 273, 295;  
 D6/672, 675, 675.1, 675.2, 675.3, 675.5,  
 D6/678, 678.1, 678.2, 682, 682.1, 682.3,  
 D6/682.4, 683, 683.1, 702, 705; D9/414,  
 D9/423, 424, 455, 751, 757, 761  
 CPC ..... A47B 73/00; A47B 73/006; A47B 88/00;  
 A47B 88/40; A47B 2210/06; A47B  
 2210/07; A47B 2210/08; A45C 11/20;  
 A47G 19/2255; A47G 19/2261; A47G  
 19/32; A47G 21/001; A47G 23/02; A47G  
 23/0208; A47G 23/0216; A47G 23/0225;  
 A47G 23/0258; A47G 23/0266; A47G  
 23/0316; A47G 23/06; A47G 23/0641;  
 A47G 2023/0283; A47G 29/093; A47J  
 47/14; A47J 47/16

See application file for complete search history.

(56) **References Cited**

U.S. PATENT DOCUMENTS

694,446 A 3/1902 Towle  
 977,397 A 11/1910 Peterson  
 1,276,936 A 8/1918 McGee  
 (Continued)

OTHER PUBLICATIONS

Design No. 300910851.0000, Jun. 12, 2017—KR, Korean Intellectual Property Office (KIPO) Publication Date—Jun. 16, 2017 Owner—Son Sang DesignView, available at [www.tmdn.org/tmdsview-web/welcome](http://www.tmdn.org/tmdsview-web/welcome) (Year: 2017).\*

(Continued)

*Primary Examiner* — Mary Ann Calabrese  
*Assistant Examiner* — Natalya M Rapundalo  
 (74) *Attorney, Agent, or Firm* — McCracken & Gillen LLC

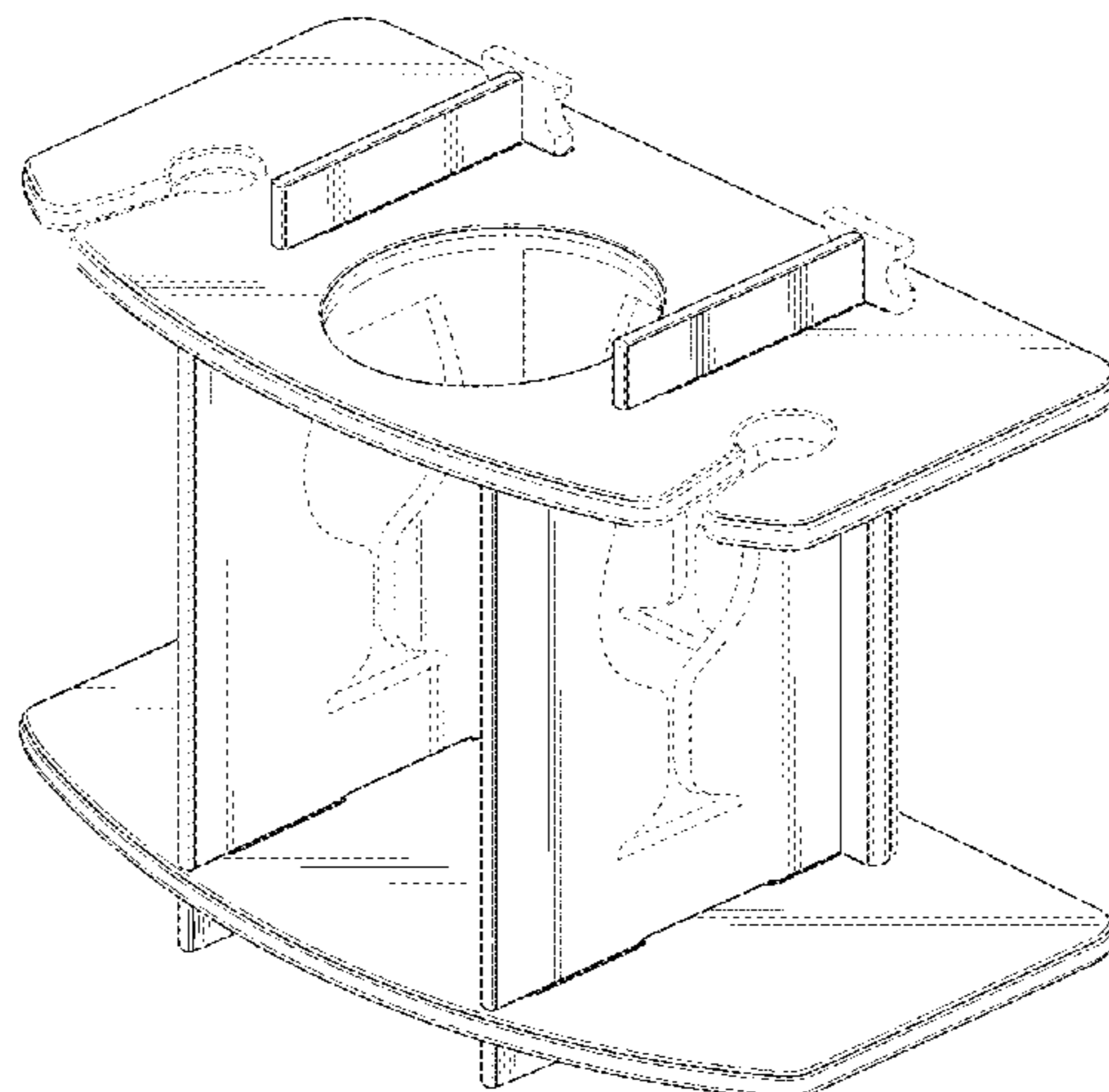
(57) **CLAIM**

The ornamental design for a wine server, as shown and described.

**DESCRIPTION**

FIG. 1 is an isometric view of a top, front, and right side of an ornamental design for a wine server according to the present invention;  
 FIG. 2 is a top plan view of the wine server of FIG. 1;  
 FIG. 3 is front elevational view of the wine server of FIG. 1;  
 FIG. 4 is a right-side elevational view of the wine server of FIG. 1;  
 FIG. 5 is a left-side elevational view of the wine server of FIG. 1;  
 FIG. 6 is a rear elevational view of the wine server of FIG. 1; and  
 FIG. 7 is a bottom plan view of the wine server of FIG. 1. The broken lines are for the purpose of illustrating environmental structure and form no part of the claimed design.

**1 Claim, 4 Drawing Sheets**



(56)

References Cited

U.S. PATENT DOCUMENTS

1,370,811 A 3/1921 Harding  
 1,659,344 A 2/1928 Wissman  
 1,913,033 A 6/1933 Kwapil  
 2,142,019 A 12/1938 Warner  
 2,434,440 A 1/1948 Schafranek  
 2,746,702 A 5/1956 Gourley et al.  
 2,863,256 A 12/1958 Hegarty  
 3,331,533 A 7/1967 Krugger  
 3,453,033 A 7/1969 Goss  
 3,491,893 A 1/1970 Morris  
 3,504,832 A 4/1970 Corvetti  
 3,860,048 A 1/1975 White  
 4,358,958 A 11/1982 Wehrenberg  
 4,699,342 A 10/1987 Bartz et al.  
 4,953,818 A 9/1990 Contant  
 D342,421 S 12/1993 DuBow  
 5,462,168 A 10/1995 Oberhelman  
 5,558,236 A 9/1996 Williams et al.  
 5,715,953 A 2/1998 Brown  
 5,740,928 A 4/1998 Dale et al.  
 5,769,264 A 6/1998 Lipkowitz  
 6,076,707 A 6/2000 Feldner  
 6,244,554 B1 6/2001 Baker  
 7,137,533 B1 11/2006 Heath  
 7,334,908 B1 2/2008 Figueroa  
 D563,726 S 3/2008 Fraser  
 7,364,129 B1 4/2008 Levari, Jr.

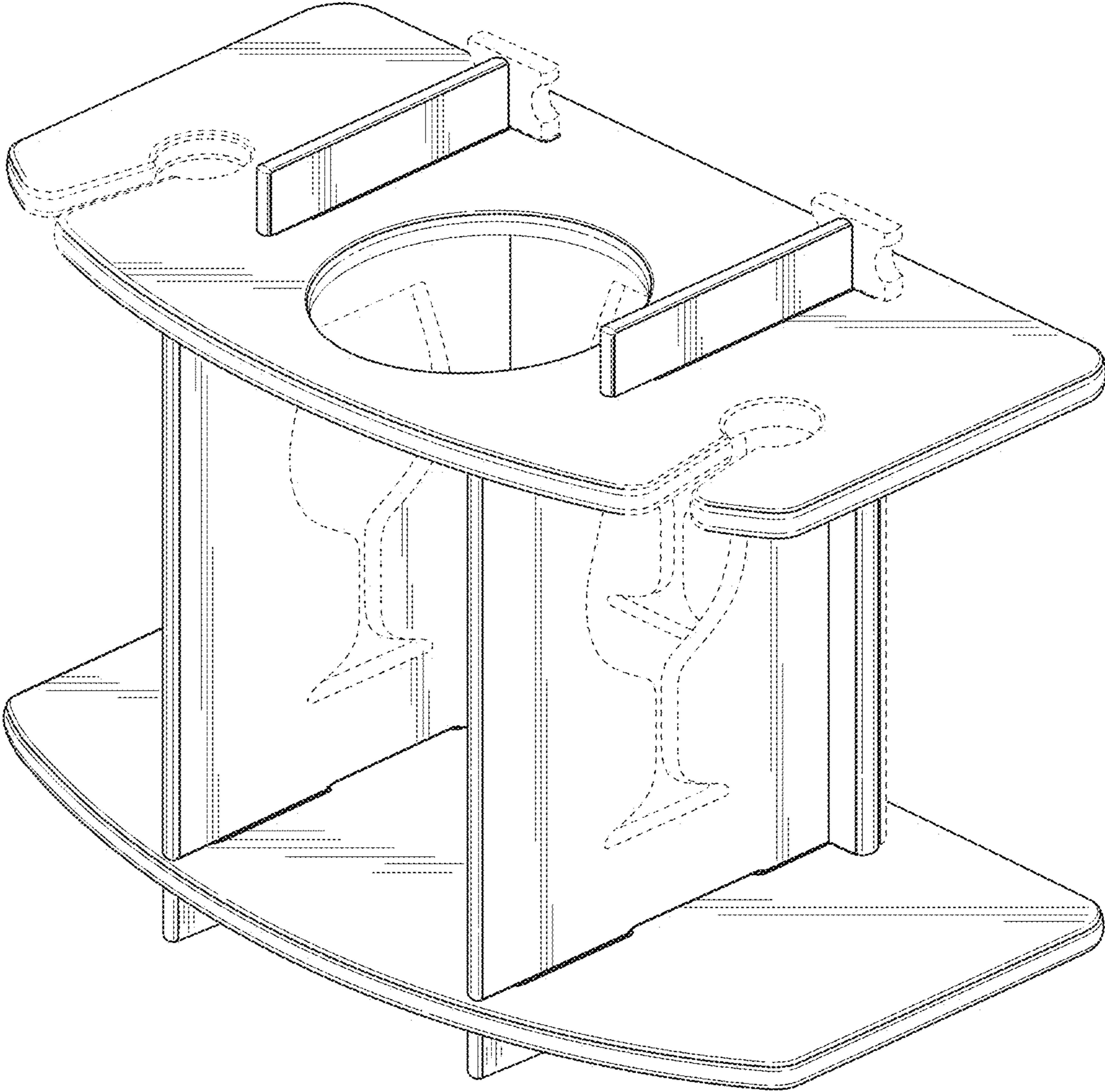
D575,600 S 8/2008 Mayer  
 D614,926 S 5/2010 Cox  
 7,975,879 B2 7/2011 Groesbeck  
 7,984,813 B1 7/2011 Tapager  
 D642,439 S 8/2011 Corbin  
 D651,028 S 12/2011 Grimaldi  
 8,590,715 B2 11/2013 Gray  
 D717,132 S 11/2014 Van Dyke  
 D720,166 S 12/2014 Trindall et al.  
 D742,178 S 11/2015 Shames  
 D781,658 S 3/2017 Chiorazzi et al.  
 9,839,311 B2 12/2017 Shames  
 9,926,954 B2 3/2018 Sortino et al.  
 D817,728 S \* 5/2018 Brown ..... D7/701  
 10,064,510 B1 \* 9/2018 Yablon ..... A47G 23/0208  
 D911,789 S \* 3/2021 Wang ..... D7/701  
 D914,458 S \* 3/2021 Lu ..... D7/552.2  
 D916,568 S \* 4/2021 Wang ..... D7/701  
 2003/0080077 A1 5/2003 Ruiz  
 2005/0017134 A1 1/2005 Hooper  
 2005/0023292 A1 2/2005 Market et al.  
 2007/0045339 A1 3/2007 Manion  
 2010/0209662 A1 8/2010 Slade et al.  
 2010/0243588 A1 9/2010 LaRiviere  
 2010/0314416 A1 12/2010 Wezner

OTHER PUBLICATIONS

Wine Caddy, Elkwood Arts, [online], [site visited Apr. 2, 2021], Available from internet URL: <https://www.elkwoodarts.com/shop/wine-caddy-table-top> (Year: 2021).\*

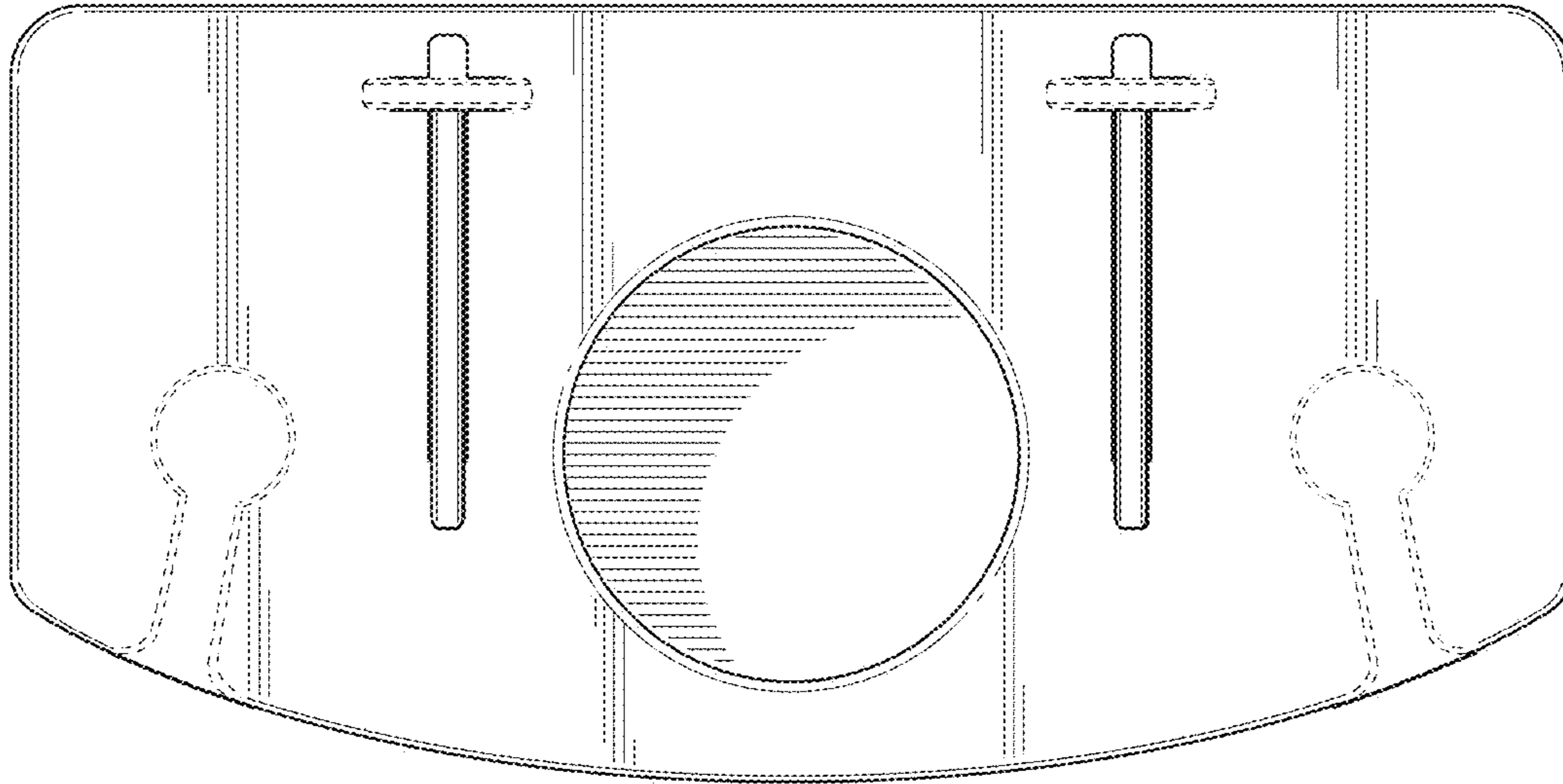
\* cited by examiner

FIG. 1

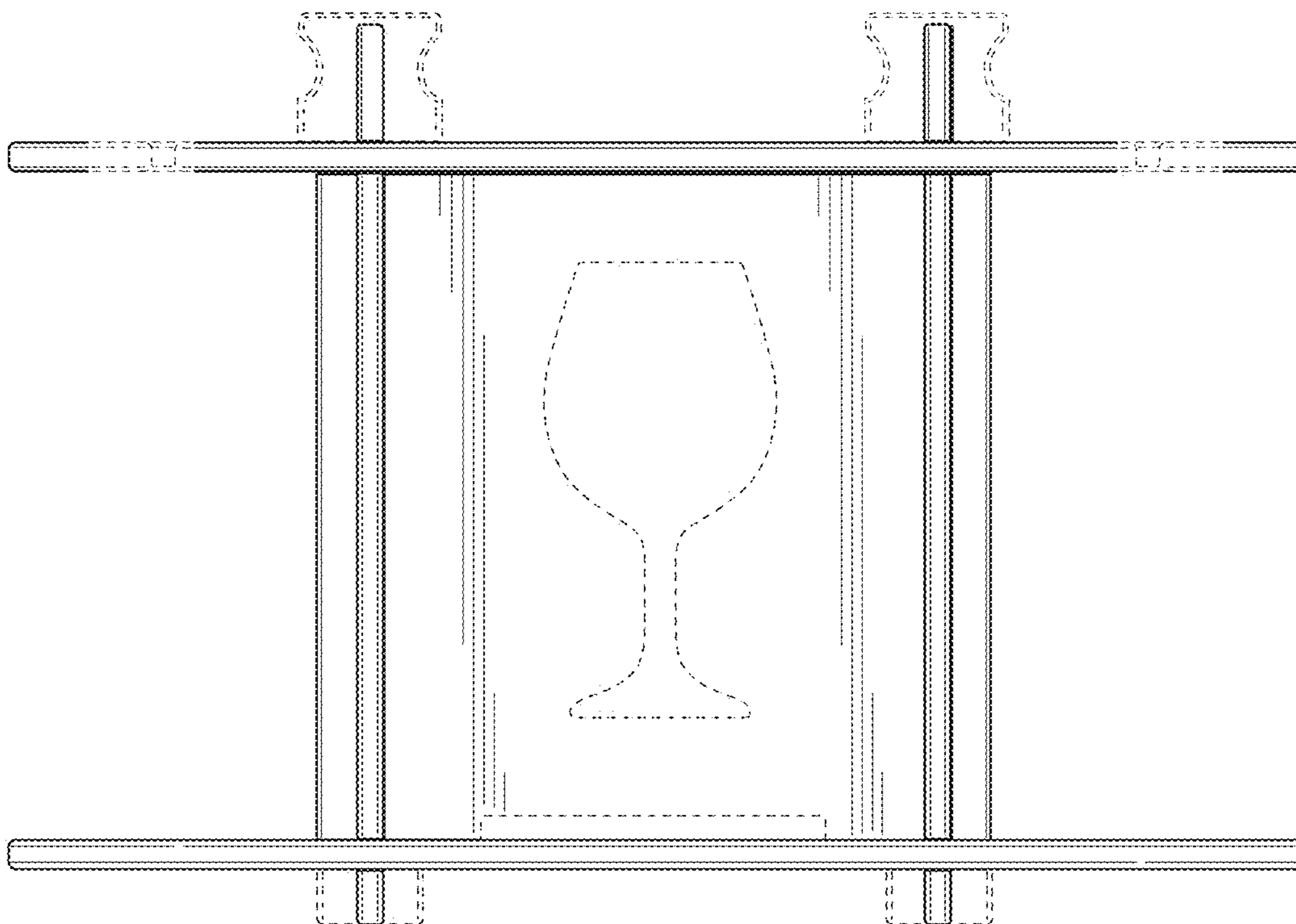




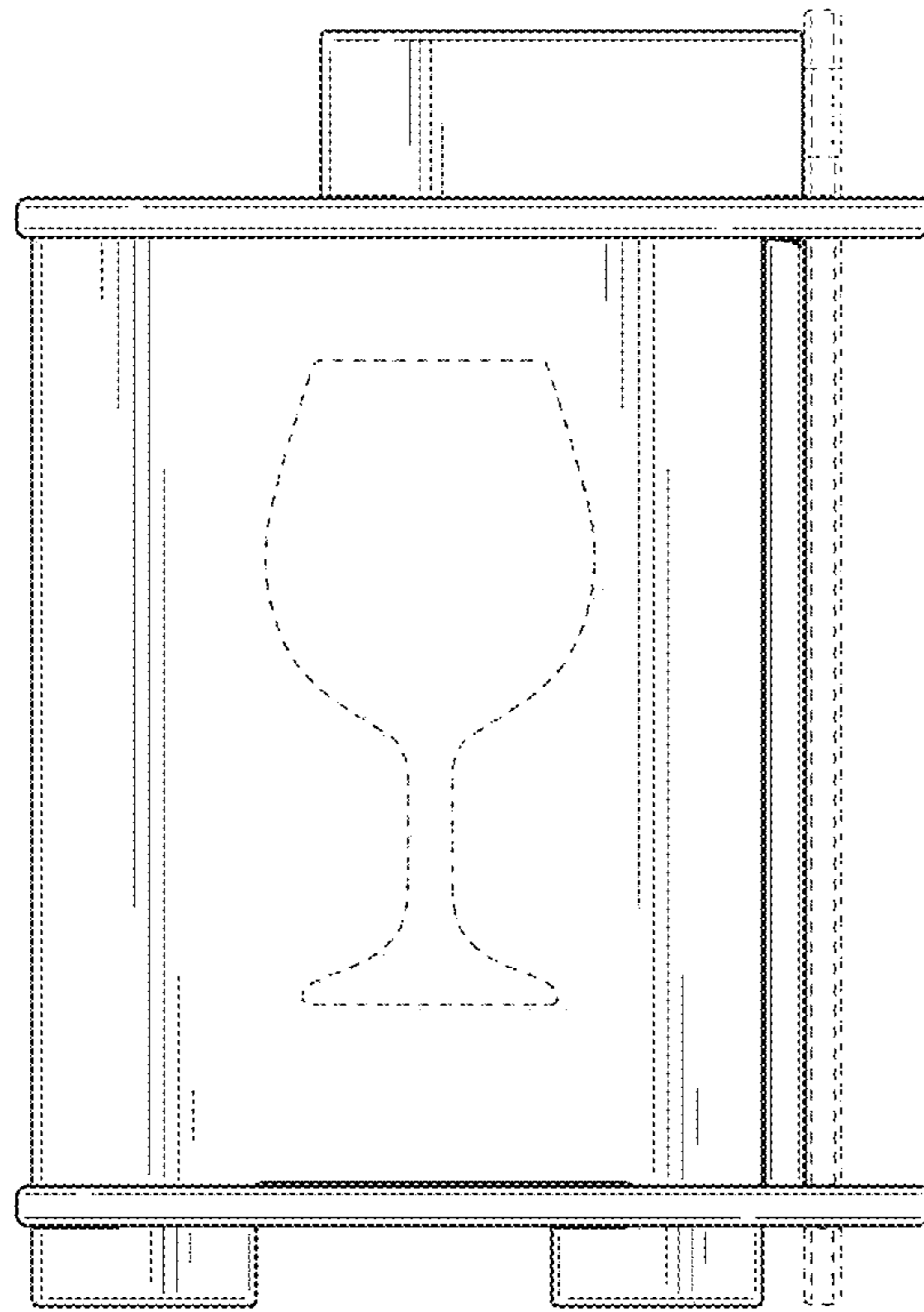
**FIG. 2**



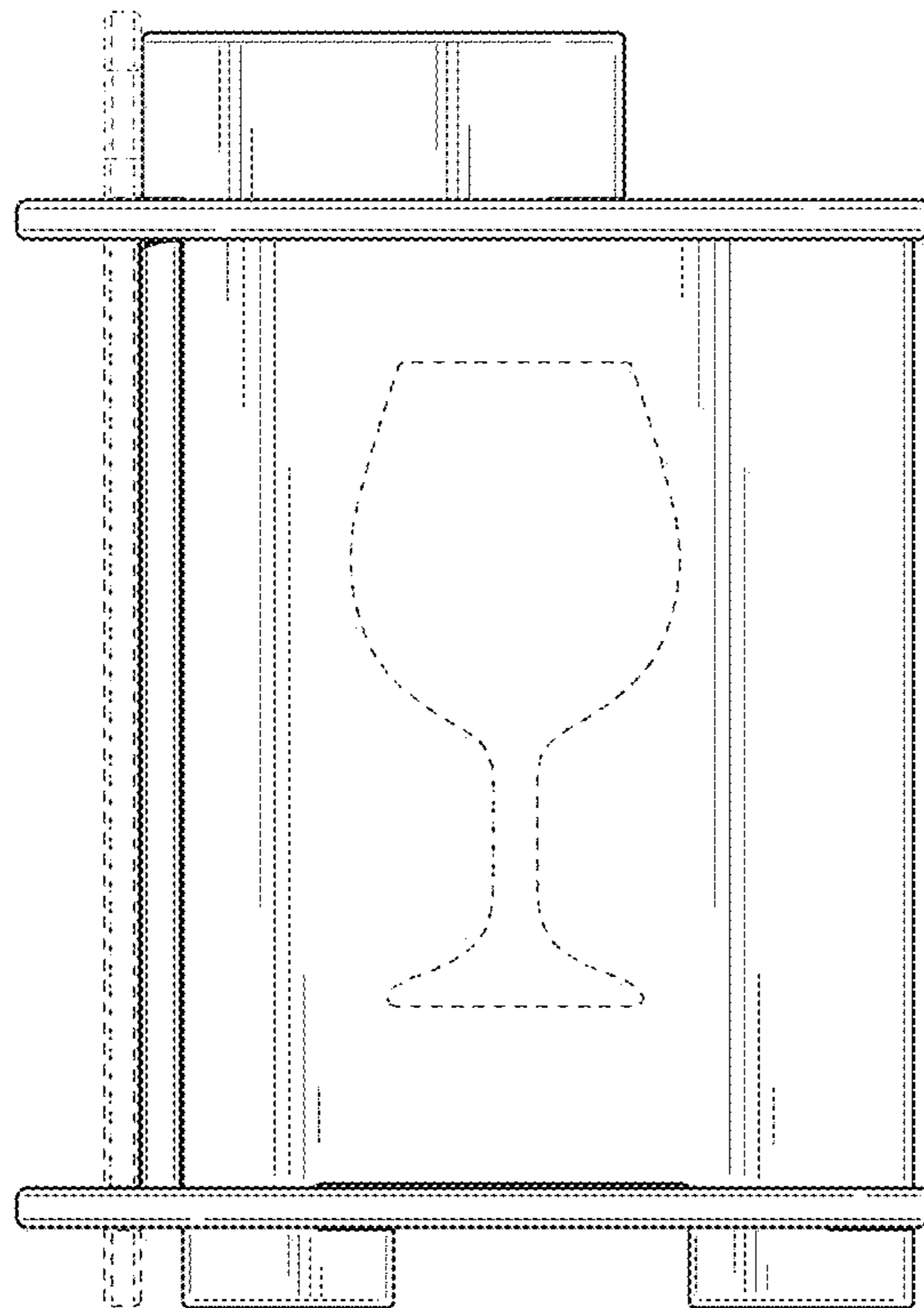
**FIG. 3**



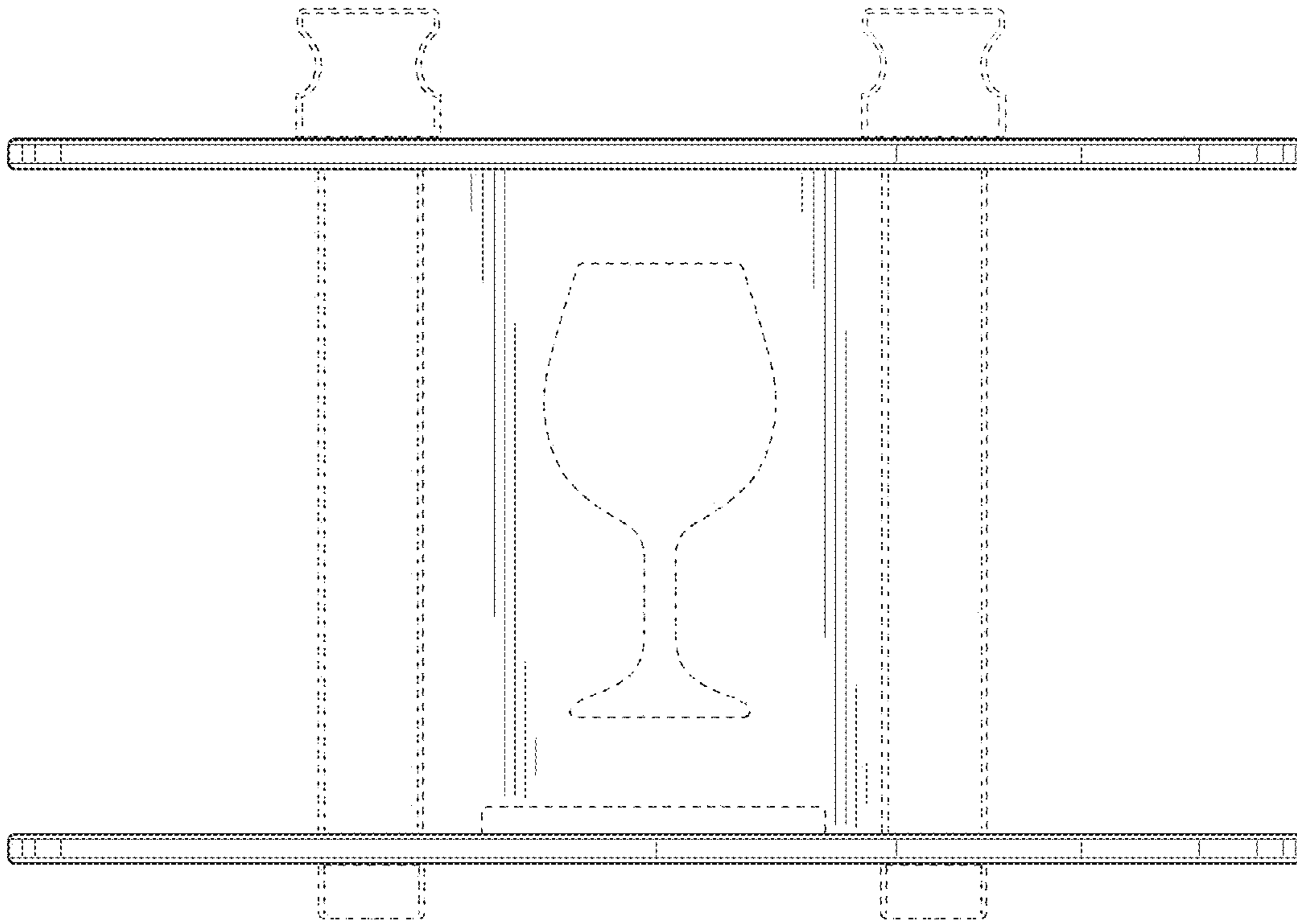
**FIG. 4**



**FIG. 5**



**FIG. 6**



**FIG. 7**

