



US00D937054S

(12) **United States Design Patent** (10) **Patent No.:** **US D937,054 S**  
**Metaxatos et al.** (45) **Date of Patent:** **\*\* Nov. 30, 2021**

(54) **BEVERAGE DISPENSER**  
(71) Applicant: **Coravin, Inc.**, Bedford, MA (US)  
(72) Inventors: **Paul K. Metaxatos**, Swampscott, MA (US); **Steffen F. Koury**, Nahant, MA (US); **Benjamin Hines**, Cranston, RI (US); **Michael Rider**, Lowell, MA (US); **Sarah Deslandes**, Boston, MA (US); **Hannah Hartz Greider**, Norwood, MA (US)  
(73) Assignee: **Coravin, Inc.**, Bedford, MA (US)  
(\*\*) Term: **15 Years**  
(21) Appl. No.: **29/744,716**  
(22) Filed: **Jul. 30, 2020**  
(51) **LOC (13) Cl.** ..... **07-04**  
(52) **U.S. Cl.**  
USPC ..... **D7/665**; D7/300; D7/397  
(58) **Field of Classification Search**  
USPC ..... D7/300–322, 368, 387, 397–400, 412, D7/665, 666, 700; D3/29, 207, 208, 211; D6/541, 542, 545; D8/2, 14.1; D9/435, D9/440, 447, 448, 724; D11/70, 116; D20/10, 16, 21, 41  
CPC .. A47J 31/00; A47J 31/36; A47J 31/44; A47J 31/4407; A47J 31/46; A47J 31/461; A47J 31/468; A47J 31/4485; A47J 31/4489; A47J 31/52; B67D 1/00; B67D 1/0003; B67D 1/0005; B67D 1/0006; B67D 1/0042; B67D 1/0057; B67D 1/0081; B67D 1/0872; B67D 2001/0088; B67D 2001/0093; B67D 2001/0094  
See application file for complete search history.

D679,933 S \* 4/2013 Bruno ..... B01F 3/04787 D7/306  
D689,353 S \* 9/2013 Dockser ..... D8/42  
D717,578 S 11/2014 Lazaris et al.  
9,010,588 B2 4/2015 Lambrecht  
D755,554 S 5/2016 Lazaris et al.  
(Continued)

**OTHER PUBLICATIONS**

Design No. 304391047, Dec. 8, 2017—China National Intellectual Property Administration (CNIPA) Publication Date—Dec. 8, 2017  
Owner—Diam Display Device (Kunshan) Co Ltd, Designer—Stefan, Mi Xieer, Zhu Shefu WIPO, available at <https://www3.wipo.int/designdb/en/index.jsp> (Year: 2017).\*  
(Continued)

*Primary Examiner* — Mary Ann Calabrese  
*Assistant Examiner* — Natalya M Rapundalo  
(74) *Attorney, Agent, or Firm* — Wolf, Greenfield & Sacks, P.C.

(57) **CLAIM**

The ornamental design for a beverage dispenser, as shown and described.

**DESCRIPTION**

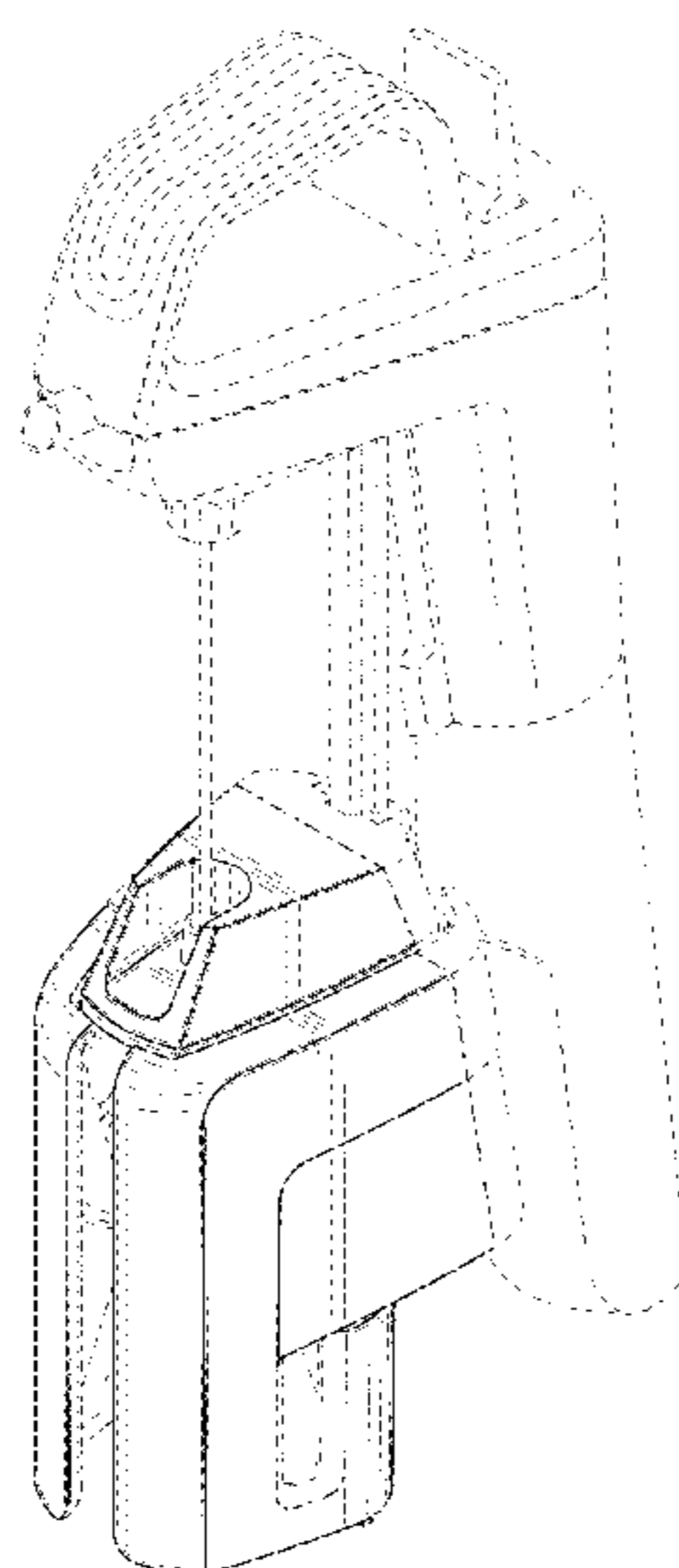
FIG. 1 is a top, front, and right side perspective view of a beverage dispenser showing our new design; FIG. 2 is a left side elevation view thereof; FIG. 3 is a right side elevation view thereof; FIG. 4 is a front elevation view thereof; FIG. 5 is a rear elevation view thereof; FIG. 6 is a top plan view thereof; and, FIG. 7 is a bottom plan view thereof.  
The dash-dash broken lines represent portions of the beverage dispenser that form no part of the claimed design. The short dash-long dash broken lines define boundaries of the claimed design and form no part of the claimed design.

(56) **References Cited**

**U.S. PATENT DOCUMENTS**

D290,439 S \* 6/1987 Weaver ..... D7/300  
D659,468 S \* 5/2012 Nyambi ..... D7/396

**1 Claim, 5 Drawing Sheets**



(56)

References Cited

OTHER PUBLICATIONS

U.S. PATENT DOCUMENTS

D778,125 S 2/2017 Metaxatos et al.  
D794,401 S \* 8/2017 Chen ..... D7/665  
D801,129 S 10/2017 Metaxatos et al.  
D826,617 S 8/2018 Rider et al.  
D838,556 S \* 1/2019 Kujawski ..... D7/666  
D849,463 S 5/2019 Rider et al.  
D851,438 S 6/2019 Rider et al.  
D868,521 S 12/2019 Stropkay et al.  
D869,217 S 12/2019 Stropkay et al.  
D869,231 S 12/2019 Stropkay et al.  
D893,249 S \* 8/2020 Liu ..... D7/398  
D906,044 S 12/2020 Stropkay et al.  
D906,045 S 12/2020 Stropkay et al.  
D911,103 S \* 2/2021 Vogt ..... A47G 23/00  
D7/397  
D911,773 S \* 3/2021 Vogt ..... B01F 3/04801  
D7/397  
D911,774 S \* 3/2021 Vogt ..... B67D 1/0418  
D7/397  
2011/0154994 A1 \* 6/2011 Sabadicci ..... A47G 23/00  
99/323.1  
2011/0204093 A1 \* 8/2011 Lee ..... B67D 1/0418  
222/152  
2011/0297006 A1 \* 12/2011 Belcher ..... B01F 3/04801  
99/323.1  
2016/0354733 A1 \* 12/2016 Chung ..... B01F 3/04787

Syphon Wine Preservation, first available May 15, 2018, The Coolector, [online], [site visited Aug. 20, 2021], Available from internet URL: <https://www.thecoolector.com/syphon-wine-preservation/> (Year: 2018).\*

Coravin Model Five Advanced, first available Mar. 26, 2020, Amazon, [online], [site visited Aug. 16, 2021], Available from internet URL: <https://www.amazon.com/Coravin-Model-Five-Premium-Preservation/dp/B08439S5K7> (Year: 2020).\*

Coravin Model Five, Coravin, [online], [site visited Aug. 16, 2021], Available from internet URL: <https://www.coravin.com/products/model-five> (Year: 2021).\*

U.S. Appl. No. 29/744,711, filed Jul. 30, 2020, Metaxatos et al.

U.S. Appl. No. 29/744,713, filed Jul. 30, 2020, Metaxatos et al.

U.S. Appl. No. 29/744,715, filed Jul. 30, 2020, Metaxatos et al.

U.S. Appl. No. 29/744,717, filed Jul. 30, 2020, Metaxatos et al.

U.S. Appl. No. 29/744,718, filed Jul. 30, 2020, Metaxatos et al.

U.S. Appl. No. 29/744,719, filed Jul. 30, 2020, Metaxatos et al.

\* cited by examiner

FIG. 1

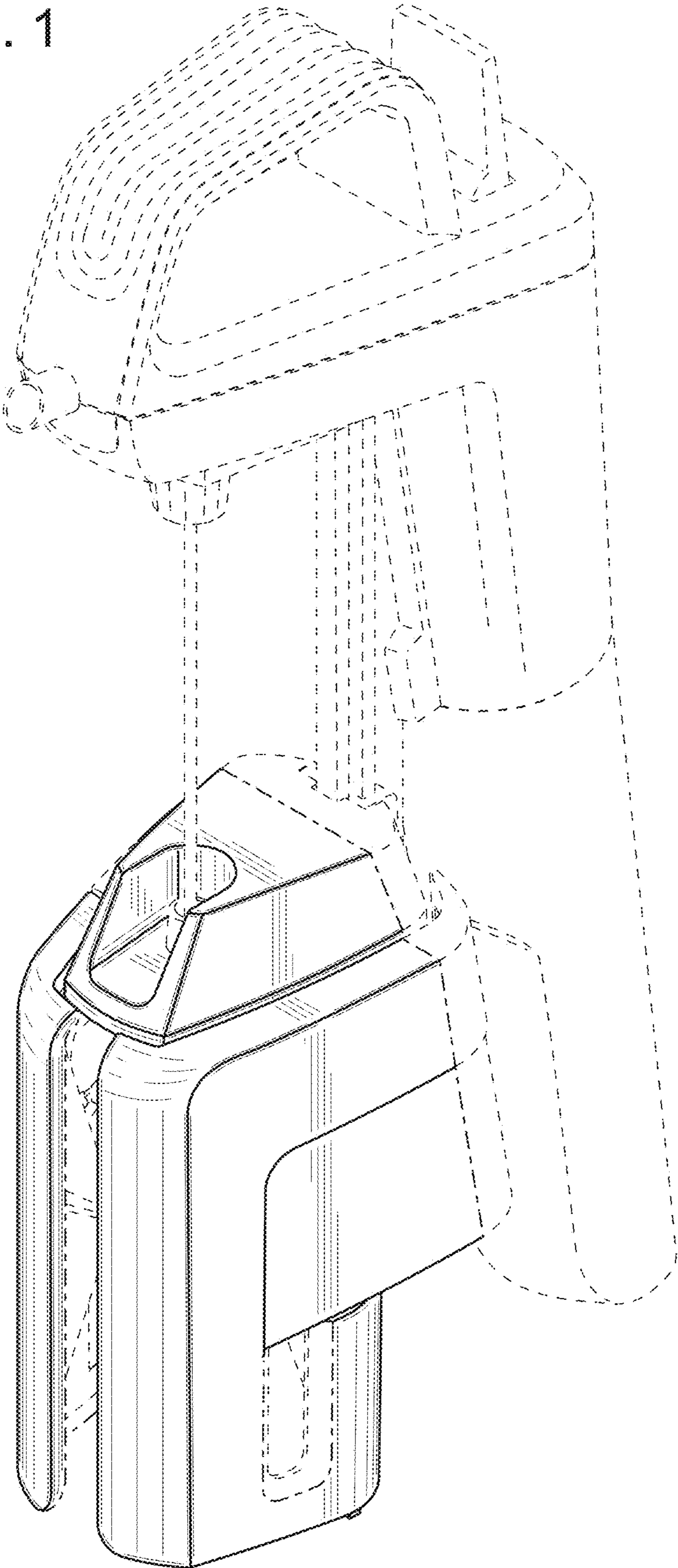


FIG. 2

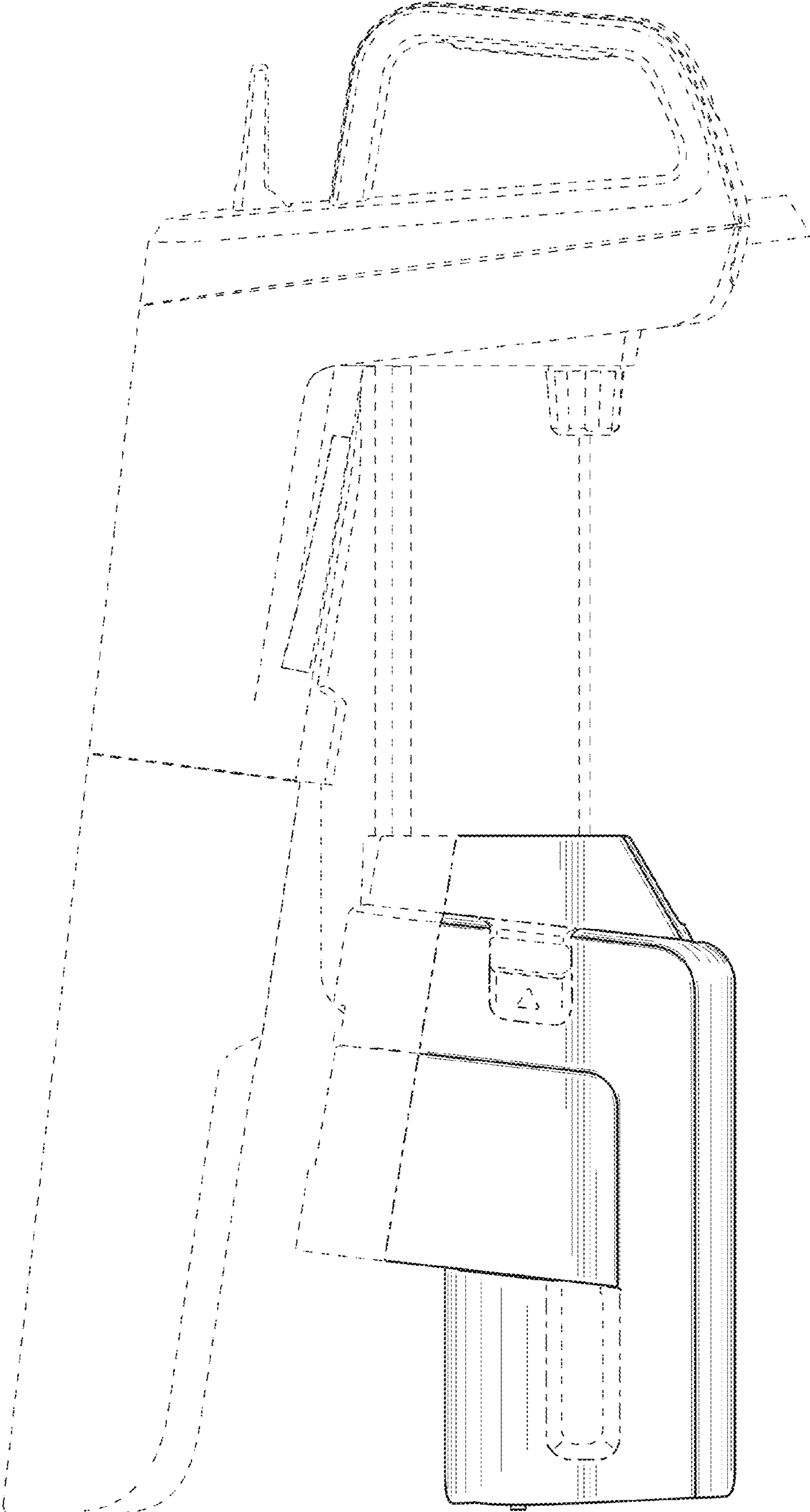


FIG. 3

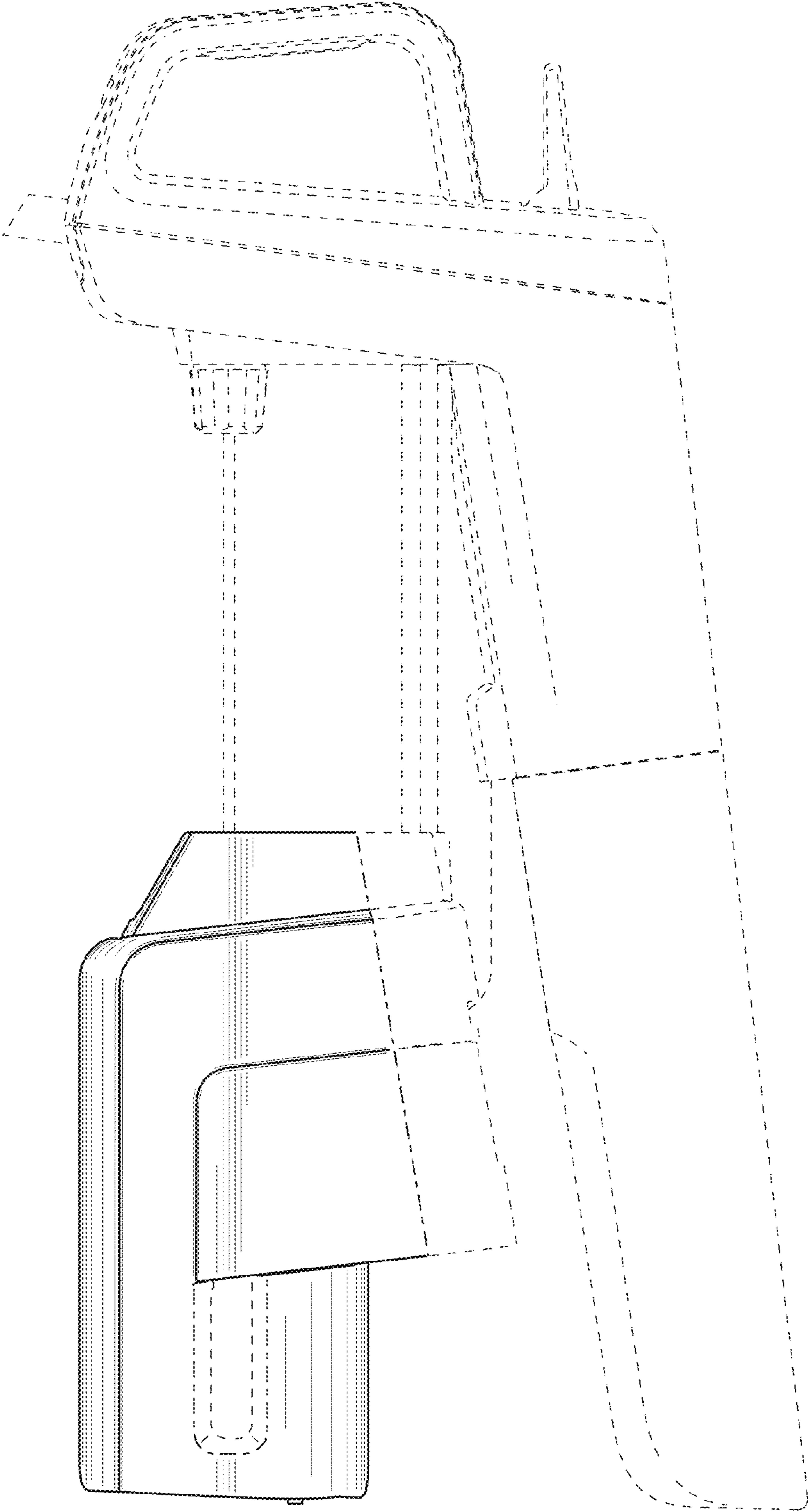


FIG. 4

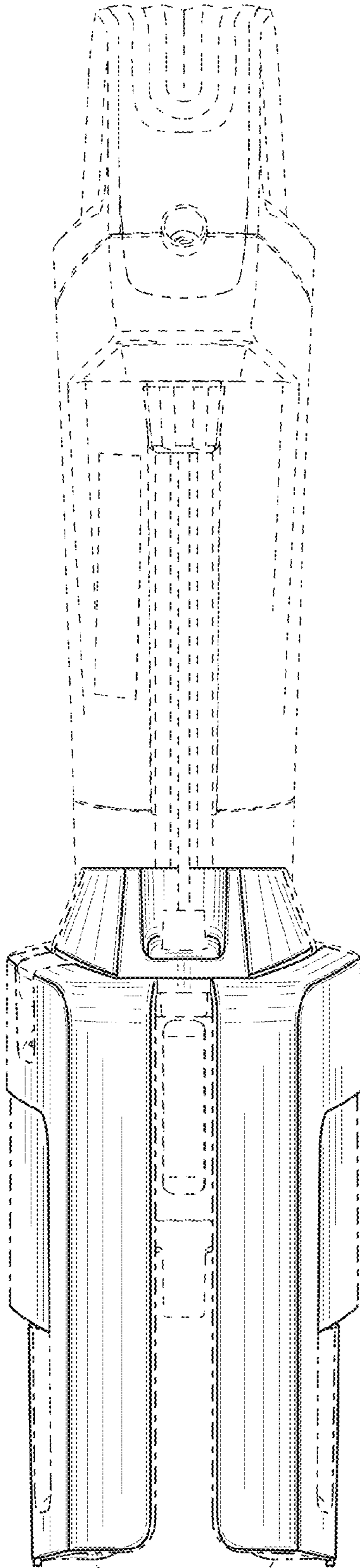


FIG. 5

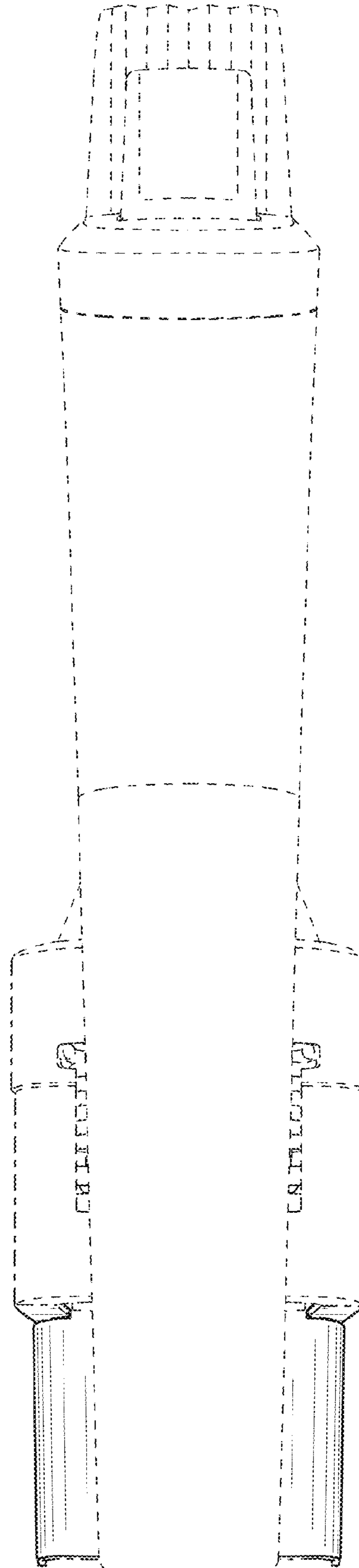


FIG. 6

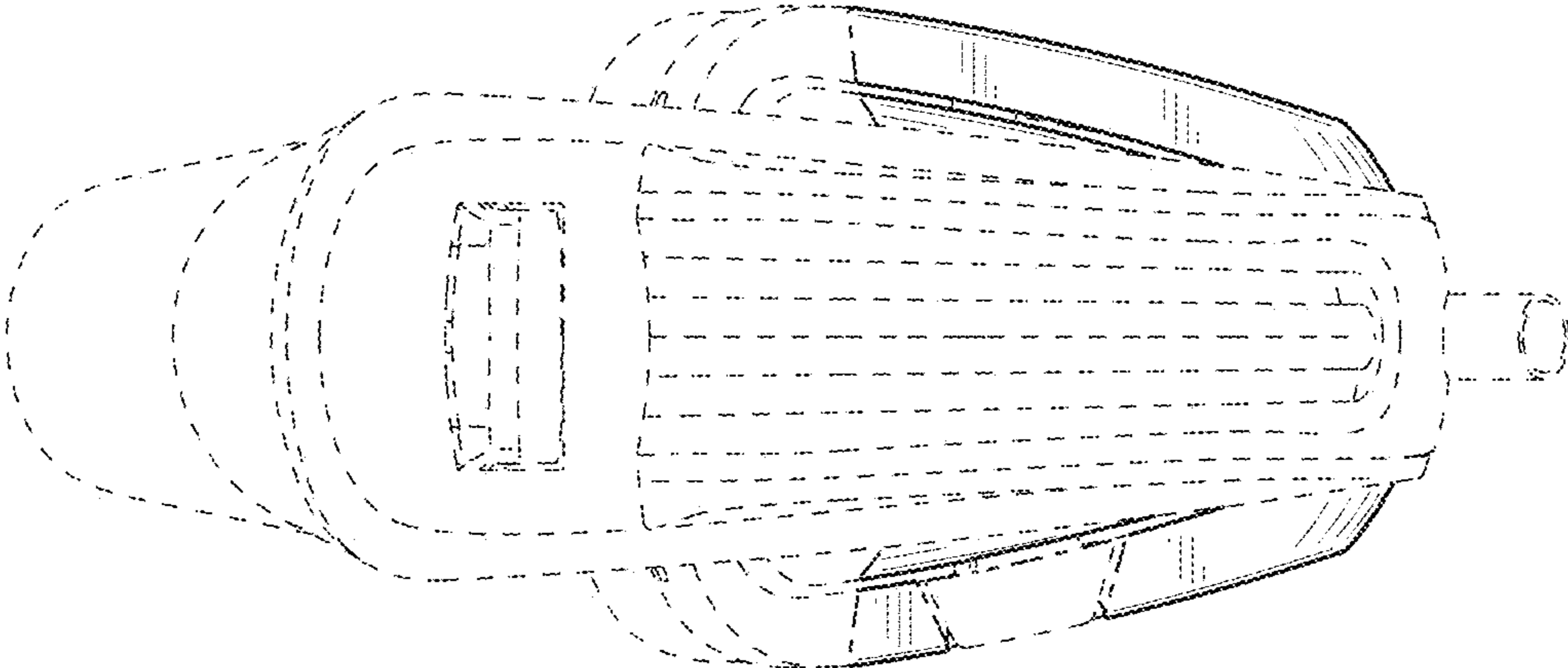


FIG. 7

