



US00D937053S

(12) **United States Design Patent**
Metaxatos et al.

(10) **Patent No.:** **US D937,053 S**

(45) **Date of Patent:** **** Nov. 30, 2021**

(54) **BEVERAGE DISPENSER**

(71) Applicant: **Coravin, Inc.**, Bedford, MA (US)

(72) Inventors: **Paul K. Metaxatos**, Swampscott, MA (US); **Steffen F. Koury**, Nahant, MA (US); **Benjamin Hines**, Cranston, RI (US); **Michael Rider**, Lowell, MA (US); **Sarah Deslandes**, Boston, MA (US); **Hannah Hartz Greider**, Norwood, MA (US)

(73) Assignee: **Coravin, Inc.**, Bedford, MA (US)

(**) Term: **15 Years**

(21) Appl. No.: **29/744,713**

(22) Filed: **Jul. 30, 2020**

(51) **LOC (13) Cl.** **07-04**

(52) **U.S. Cl.**

USPC **D7/665**; D7/300; D7/397

(58) **Field of Classification Search**

USPC D7/300–322, 368, 387, 397–400, 412, D7/665, 666, 700; D3/29, 207, 208, 211; D6/541, 542, 545; D8/2, 14.1; D9/435, D9/440, 447, 448, 724; D11/70, 116; D20/10, 16, 21, 41

CPC .. A47J 31/00; A47J 31/36; A47J 31/44; A47J 31/4407; A47J 31/46; A47J 31/461; A47J 31/468; A47J 31/4485; A47J 31/4489; A47J 31/52; B67D 1/00; B67D 1/0003; B67D 1/0005; B67D 1/0006; B67D 1/0042; B67D 1/0057; B67D 1/0081; B67D 1/0872; B67D 2001/0088; B67D 2001/0093; B67D 2001/0094

See application file for complete search history.

(56) **References Cited**

U.S. PATENT DOCUMENTS

D290,439 S * 6/1987 Weaver D7/300
D659,468 S * 5/2012 Nyambi B01F 3/04787
D7/396

D679,933 S * 4/2013 Bruno D7/306
D689,353 S * 9/2013 Dockser D8/42
D717,578 S 11/2014 Lazaris et al.
9,010,588 B2 4/2015 Lambrecht
D755,554 S 5/2016 Lazaris et al.

(Continued)

OTHER PUBLICATIONS

Design No. 304391047, Dec. 8, 2017—China National Intellectual Property Administration (CNIPA) Publication Date—Dec. 8, 2017
Owner—Diam Display Device (Kunshan) Co Ltd, Designer—Stefan, Mi Xieer, Zhu Shefu WIPO, available at <https://www3.wipo.int/designdb/en/index.jsp> (Year: 2017).*

(Continued)

Primary Examiner — Mary Ann Calabrese

Assistant Examiner — Natalya M Rapundalo

(74) *Attorney, Agent, or Firm* — Wolf, Greenfield & Sacks, P.C.

(57) **CLAIM**

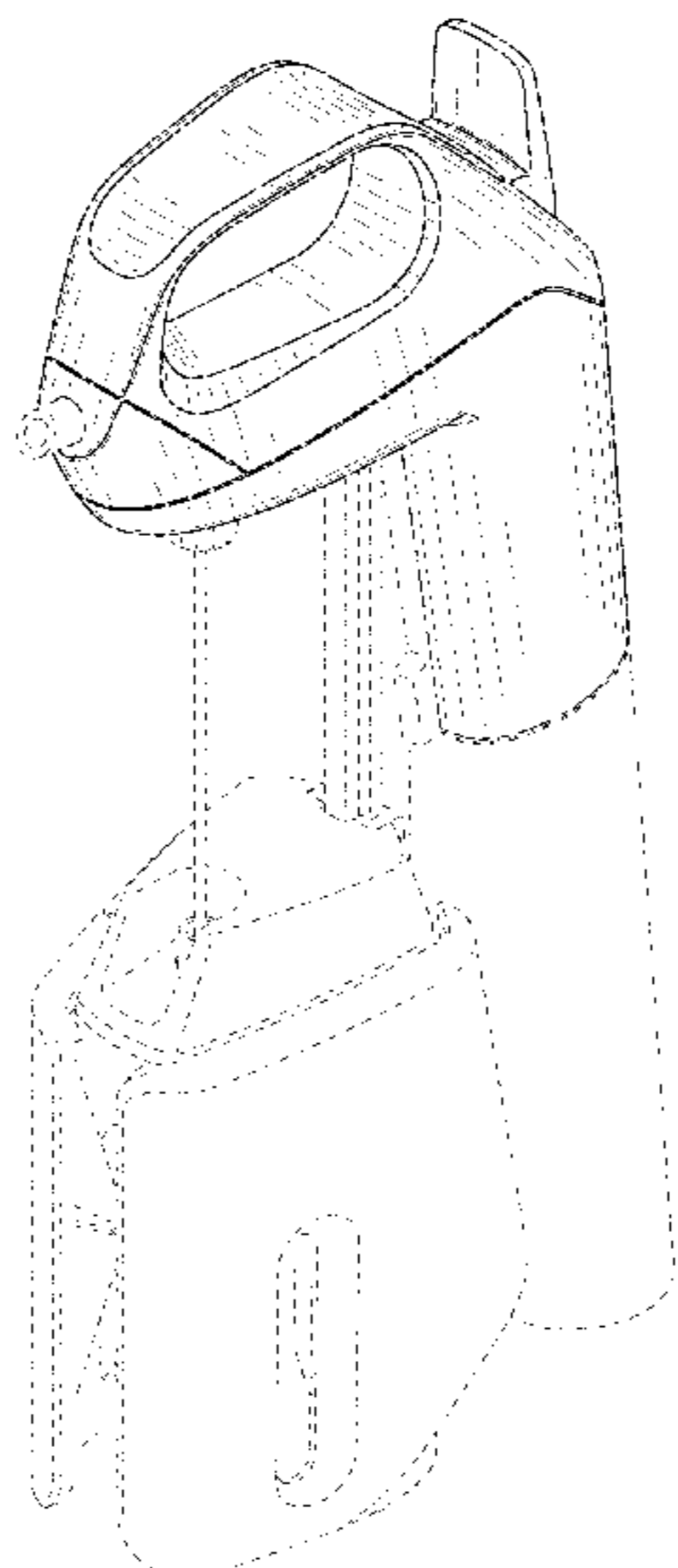
The ornamental design for a beverage dispenser, as shown and described.

DESCRIPTION

FIG. 1 is a top, front, and right side perspective view of a beverage dispenser showing our new design; FIG. 2 is a left side elevation view thereof; FIG. 3 is a right side elevation view thereof; FIG. 4 is a front elevation view thereof; FIG. 5 is a rear elevation view thereof; FIG. 6 is a top plan view thereof; and, FIG. 7 is a bottom plan view thereof.

The dash-dash broken lines represent portions of the beverage dispenser that form no part of the claimed design. The short dash-long dash broken lines define boundaries of the claimed design and form no part of the claimed design.

1 Claim, 5 Drawing Sheets



(56)

References Cited

U.S. PATENT DOCUMENTS

D778,125 S 2/2017 Metaxatos et al.
 D794,401 S * 8/2017 Chen D7/665
 D801,129 S 10/2017 Metaxatos et al.
 D826,617 S 8/2018 Rider et al.
 D849,463 S 5/2019 Rider et al.
 D851,438 S 6/2019 Rider et al.
 D868,521 S 12/2019 Stropkay et al.
 D869,217 S 12/2019 Stropkay et al.
 D869,231 S 12/2019 Stropkay et al.
 D891,861 S 8/2020 Hines et al.
 D893,248 S 8/2020 Hines et al.
 D893,249 S * 8/2020 Liu D7/398
 D894,674 S 9/2020 Hines et al.
 D894,675 S 9/2020 Hines et al.
 D897,150 S 9/2020 Hines et al.
 10,815,113 B2 10/2020 Lambrecht et al.
 D906,043 S 12/2020 Hines et al.
 D906,044 S 12/2020 Stropkay et al.
 D906,045 S 12/2020 Stropkay et al.
 D911,103 S * 2/2021 Vogt A47G 23/00
 D7/397
 D911,773 S * 3/2021 Vogt B01F 3/04801
 D7/397
 D911,774 S * 3/2021 Vogt B67D 1/0418
 D7/397

2011/0154994 A1* 6/2011 Sabadicci A47G 23/00
 99/323.1
 2011/0204093 A1* 8/2011 Lee B67D 1/0418
 222/152
 2011/0297006 A1* 12/2011 Belcher B01F 3/04801
 99/323.1
 2016/0354733 A1* 12/2016 Chung B01F 3/04787

OTHER PUBLICATIONS

Syphon Wine Preservation, first available May 15, 2018, The Coolector, [online], [site visited Aug. 20, 2021], Available from internet URL: <https://www.thecoolector.com/syphon-wine-preservation/> (Year: 2018).*

Coravin Model Three Advanced, first available Mar. 26, 2020, Amazon, [online], [site visited Aug. 16, 2021], Available from internet URL: <https://www.amazon.com/Coravin-Advanced-Bottle-Opener-Preservation/dp/B0843B57PH> (Year: 2020).*

U.S. Appl. No. 29/744,711, filed Jul. 30, 2020, Metaxatos et al.
 U.S. Appl. No. 29/744,715, filed Jul. 30, 2020, Metaxatos et al.
 U.S. Appl. No. 29/744,716, filed Jul. 30, 2020, Metaxatos et al.
 U.S. Appl. No. 29/744,717, filed Jul. 30, 2020, Metaxatos et al.
 U.S. Appl. No. 29/744,718, filed Jul. 30, 2020, Metaxatos et al.
 U.S. Appl. No. 29/744,719, filed Jul. 30, 2020, Metaxatos et al.

* cited by examiner

FIG. 1

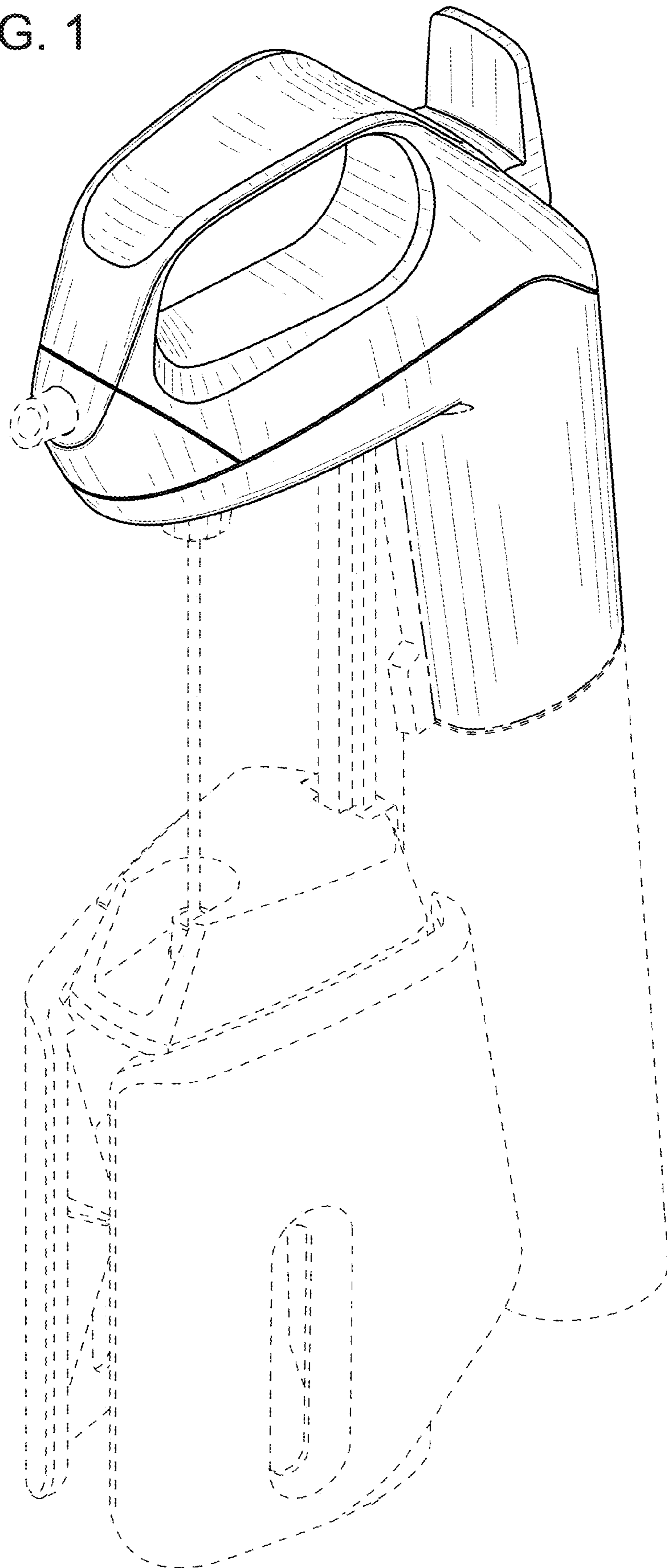


FIG. 2

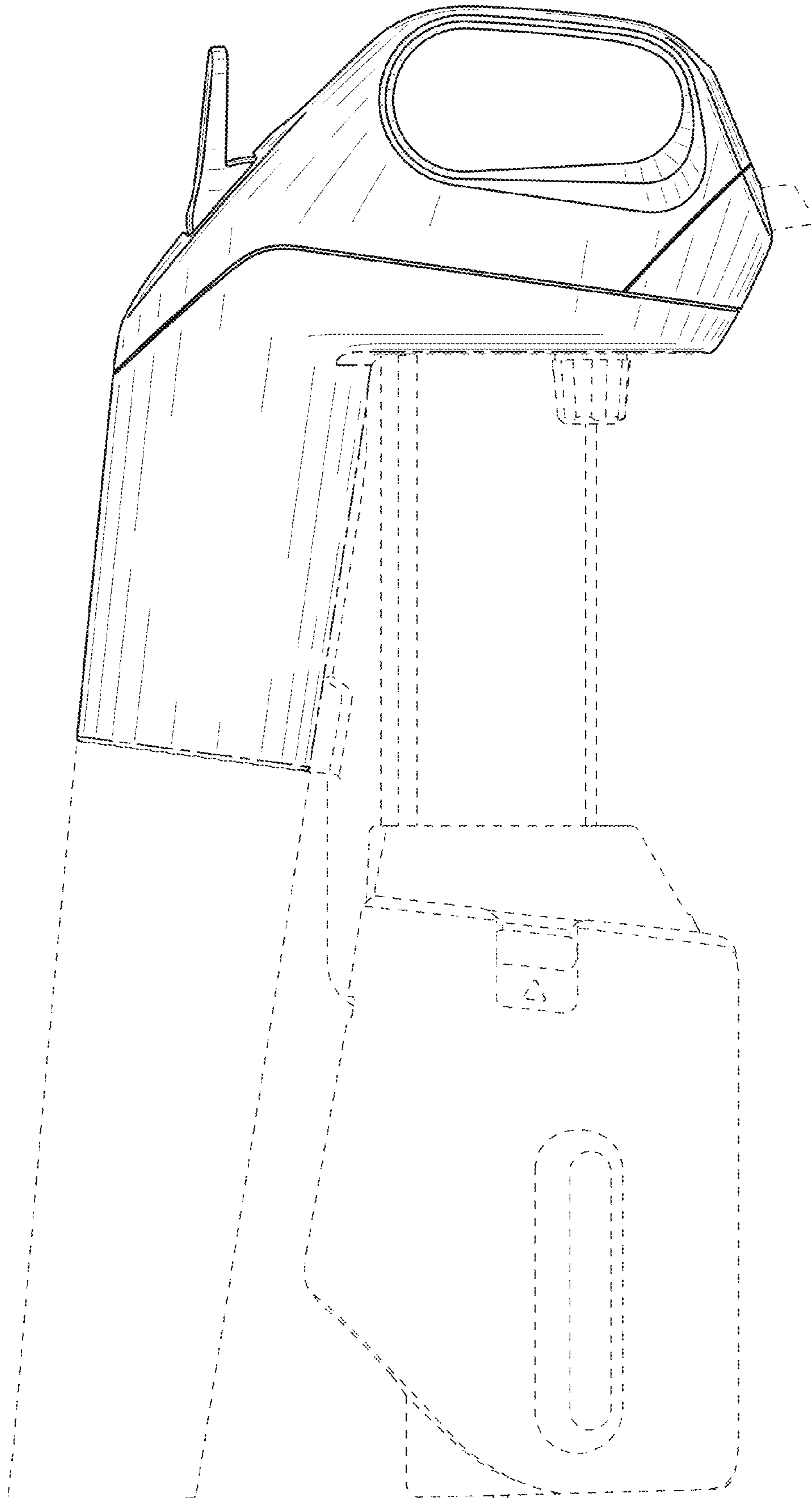


FIG. 3

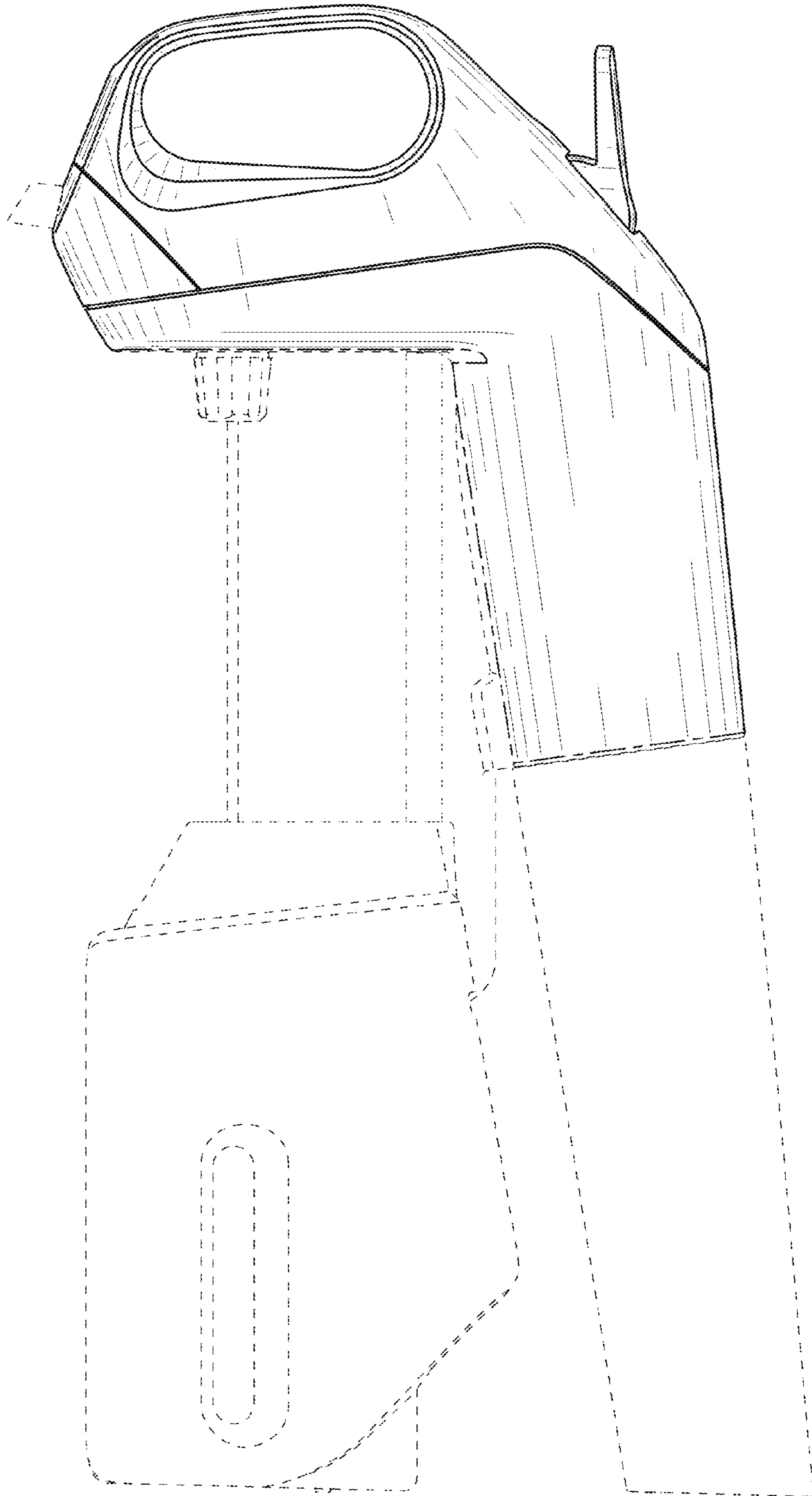


FIG. 4

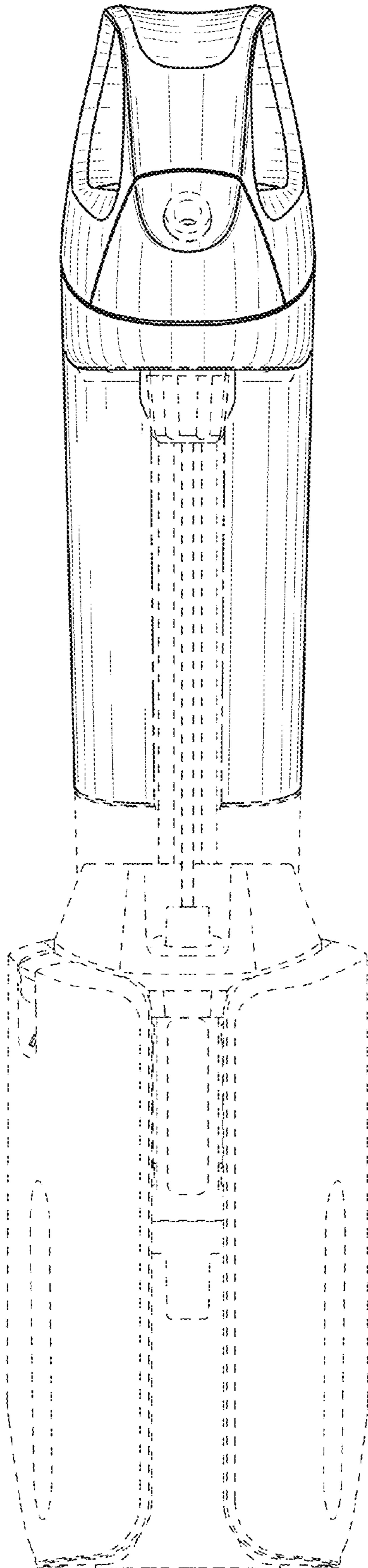


FIG. 5

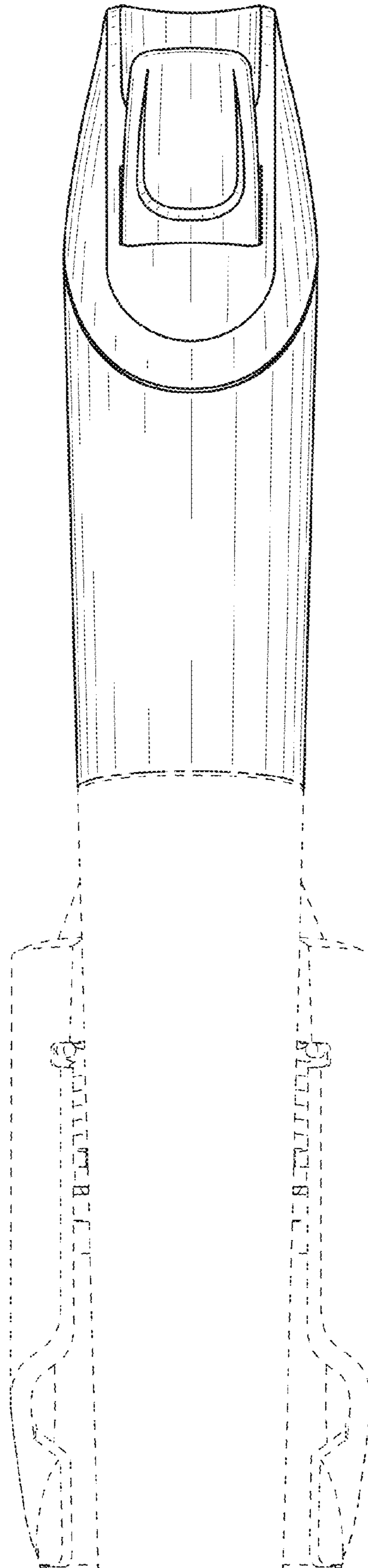


FIG. 6

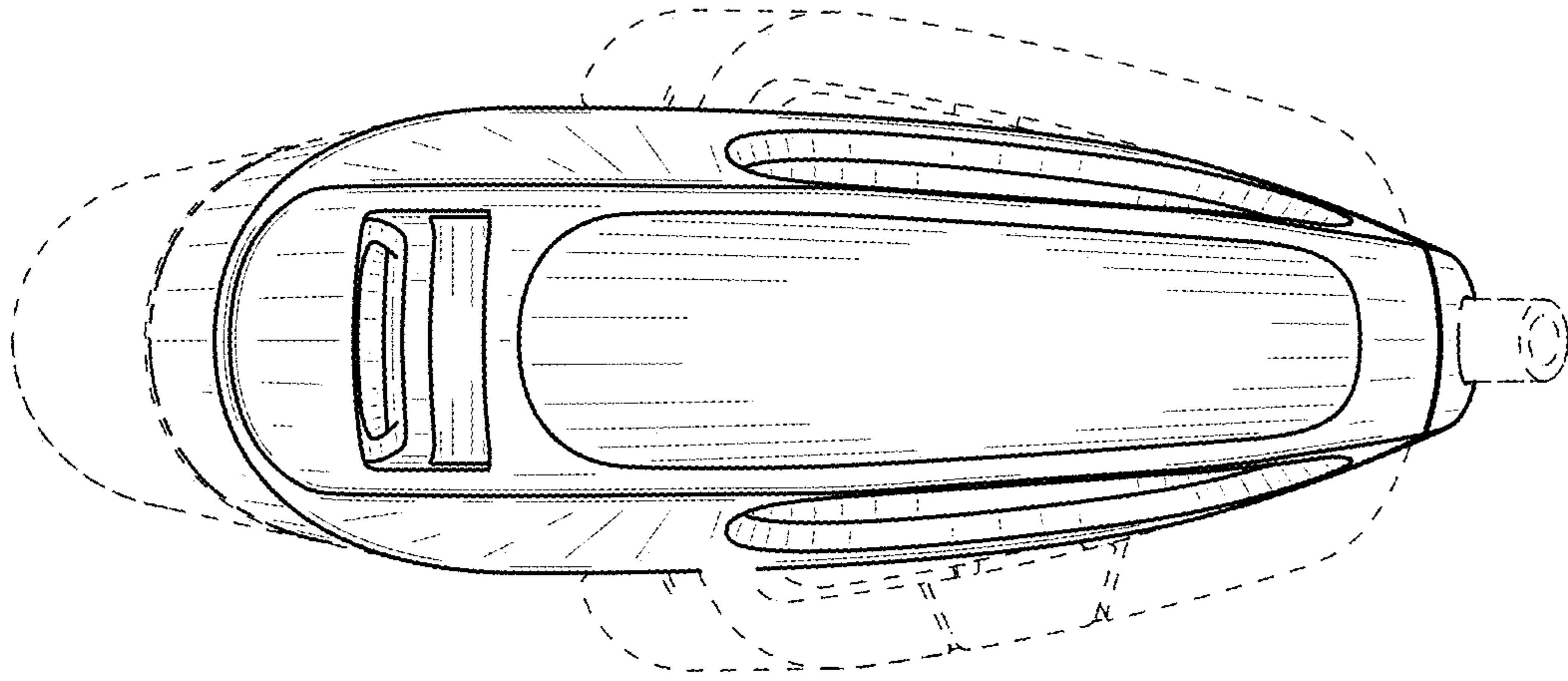


FIG. 7

