



US00D937051S

(12) **United States Design Patent**
Lowsky

(10) **Patent No.:** **US D937,051 S**

(45) **Date of Patent:** **** Nov. 30, 2021**

(54) **FEEDER SPOON**

(71) Applicant: **ARK Therapeutic Services, Inc.**,
Columbia, SC (US)

(72) Inventor: **Debra C. Lowsky**, Columbia, SC (US)

(73) Assignee: **ARK Therapeutic Services, Inc.**,
Columbia, SC (US)

(**) Term: **15 Years**

(21) Appl. No.: **29/779,870**

(22) Filed: **Apr. 21, 2021**

Related U.S. Application Data

(62) Division of application No. 29/710,964, filed on Oct. 28, 2019.

(51) **LOC (13) Cl.** **07-03**

(52) **U.S. Cl.**
USPC **D7/653**

(58) **Field of Classification Search**
USPC D7/642-645, 653; 30/115, 129, 134,
30/136, 137, 142, 147, 148, 149, 150
CPC A47G 21/02; A47G 21/06; A47G 21/103;
B26B 11/00; B26B 29/025
See application file for complete search history.

(56) **References Cited**

U.S. PATENT DOCUMENTS

2,795,043 A	6/1957	Ruth
3,391,578 A	7/1968	Connellis
3,510,643 A	5/1970	File
4,205,664 A	6/1980	Baccialon
4,219,619 A	8/1980	Zarow
4,660,582 A	4/1987	Taylor
D315,408 S	3/1991	Duk
D354,624 S	1/1995	Gupta
5,377,879 A	1/1995	Isaacs
5,438,726 A	8/1995	Leite

5,711,759 A	1/1998	Smith et al.
D409,880 S	5/1999	Bergkvist et al.
D415,569 S	10/1999	Wyrwa et al.
5,966,814 A	10/1999	Lin
D441,669 S *	5/2001	Lam D10/57
6,761,699 B2	7/2004	Chahine
D523,299 S *	6/2006	Johnson D7/653
7,070,603 B2	7/2006	Eicoff
D530,160 S	10/2006	Maltese et al.
D542,541 S	5/2007	Lowsky, Jr.

(Continued)

OTHER PUBLICATIONS

Instagram post by arktherapeutic, published at <https://www.instagram.com/p/B16wv1hFstK/> on Sep. 2, 2019, all enclosed pages cited.

(Continued)

Primary Examiner — W. A. Teddy Falloway

Assistant Examiner — Katrina N Gonzalez

(74) *Attorney, Agent, or Firm* — Nelson Mullins Riley & Scarborough LLP

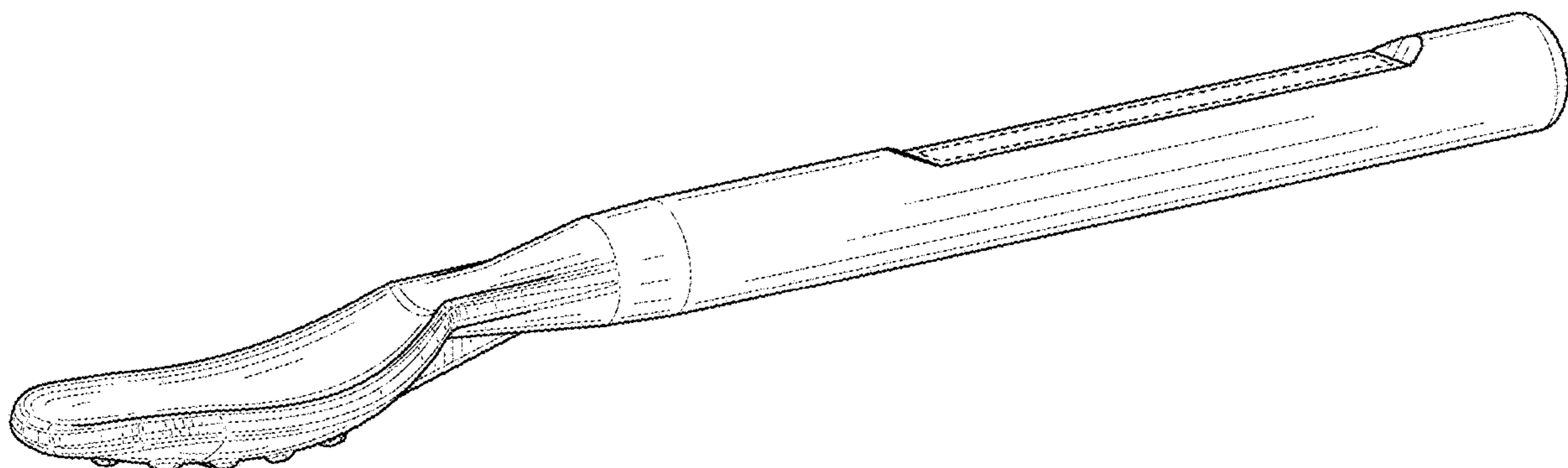
(57) **CLAIM**

The ornamental design for a feeder spoon, substantially as shown and described.

DESCRIPTION

FIG. 1 is a front, right perspective view of a feeder spoon, in accordance with my design;
FIG. 2 is a top perspective view thereof;
FIG. 3 is a top plan view thereof;
FIG. 4 is a bottom plan view thereof;
FIG. 5 is a right elevation view thereof, the left elevation view being a mirror image;
FIG. 6 is a front elevation view thereof; and,
FIG. 7 is a back elevation view thereof.
The broken lines illustrate portions of the feeder spoon that form no part of the claimed design.

1 Claim, 5 Drawing Sheets



(56)

References Cited

U.S. PATENT DOCUMENTS

D545,640 S * 7/2007 Ridsen D7/653
D561,540 S 2/2008 Rhodes, II
D605,638 S 12/2009 Vasilkov
D615,368 S * 5/2010 Sierra D7/653
D674,905 S 1/2013 Lowsky
D714,441 S 9/2014 Lowsky
D754,493 S * 4/2016 Feeley D7/653
D834,896 S * 12/2018 Appelbaum D7/653
D889,919 S * 7/2020 Chapman D7/691
D909,147 S * 2/2021 Lacotta D7/653
2004/0000054 A1 1/2004 Sommer

OTHER PUBLICATIONS

Catalog excerpt from ARK Therapeutic Services, Inc. Speech Therapy Tools and Other Healthcare Products Catalog 2011-2012. "ARK's proSpoon Feeding Therapy Utensil _ ARK Therapeutic" available Jun. 22, 2020, [online], [site visited Feb. 9, 2021]. Retrieved from Internet, URL: <https://www.arktherapeutic.com/arks-prospoon-feeding-therapy-utensil-smooth/> (Year 2020). "Arks's Prospoon Feeding Utensil with Numbs" available Jun. 22, 2020, [online], [site visited Feb. 9, 2021]. Retrieved from Internet, URL: <https://www.arktherapeutic.com/arks-prospoon-feeding-therapy-utensil-textured/> (Year: 2020).

* cited by examiner

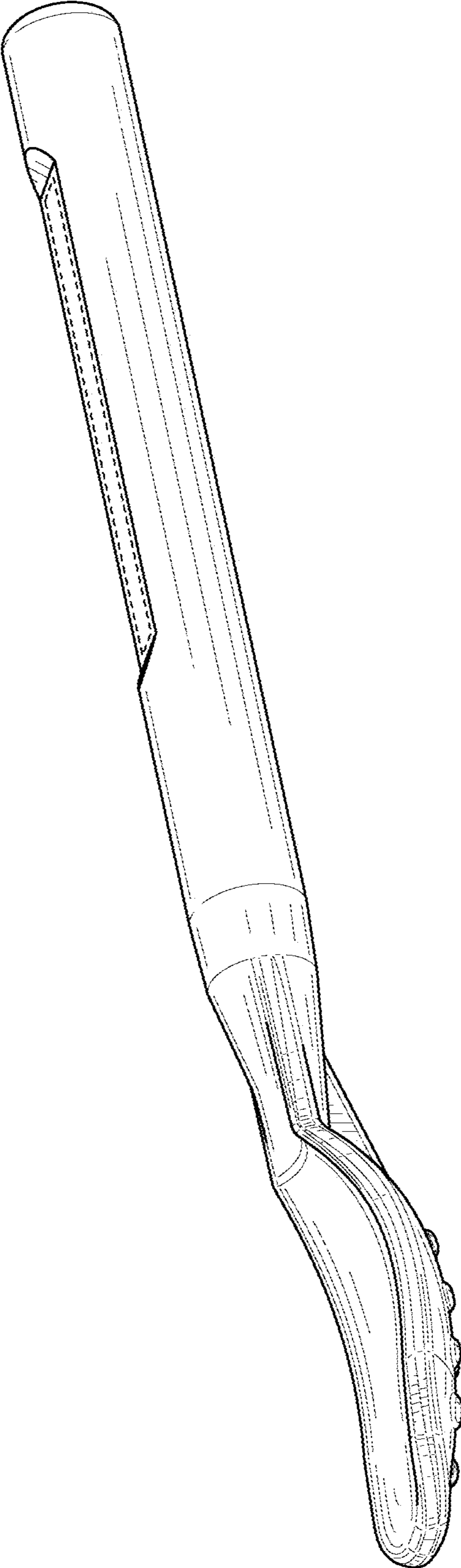


FIG. 1

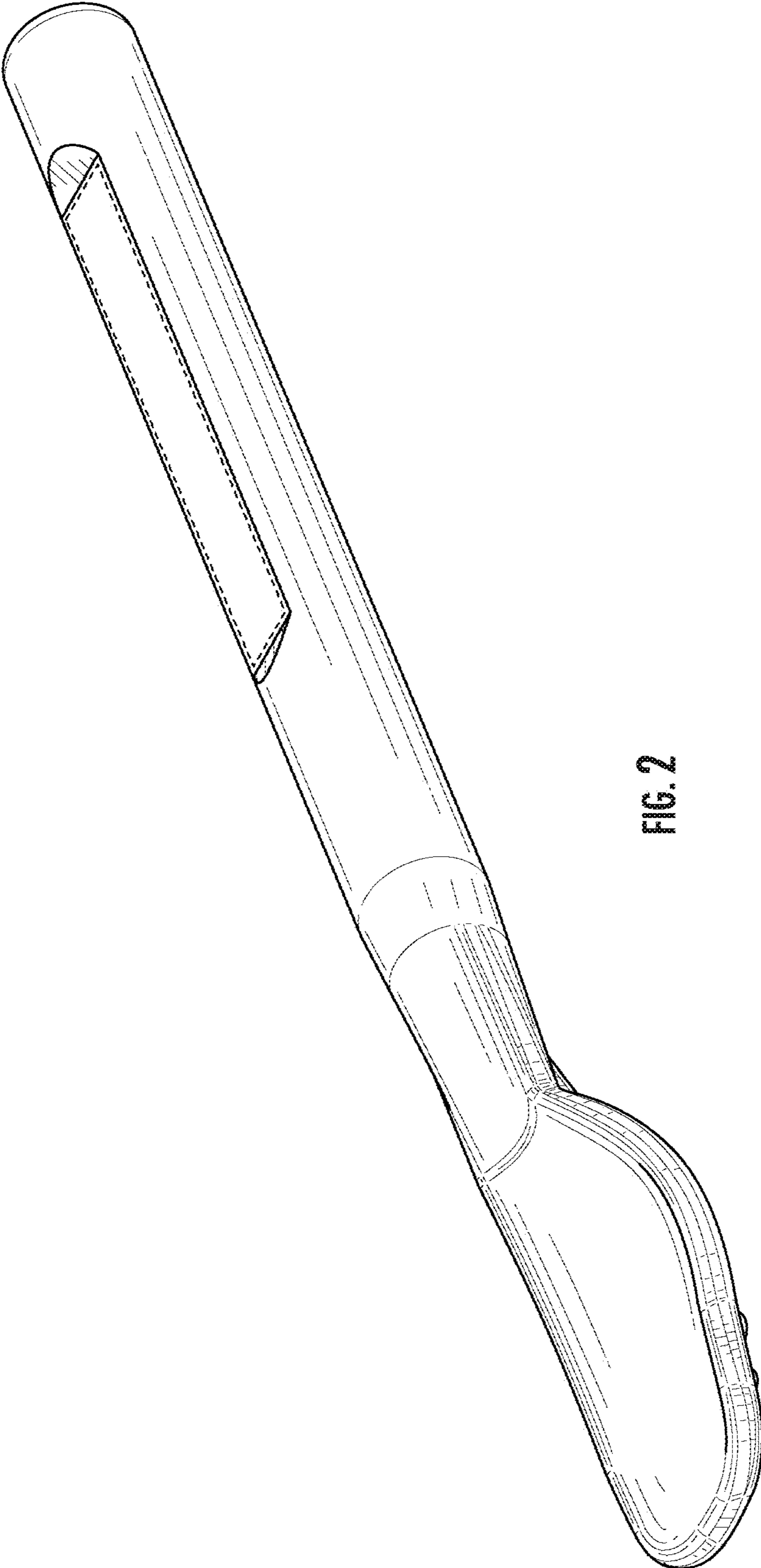


FIG. 2

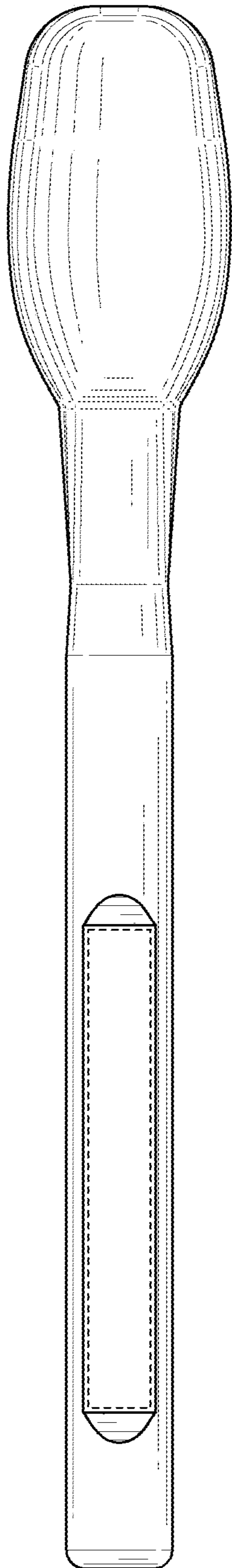


FIG. 3

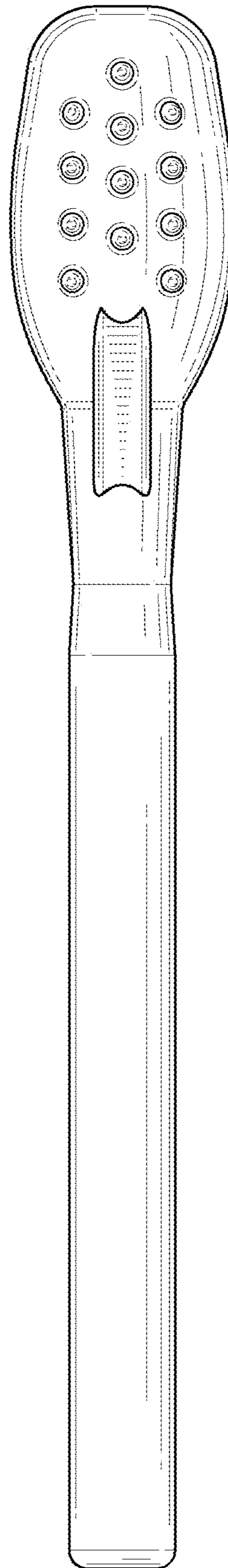


FIG. 4

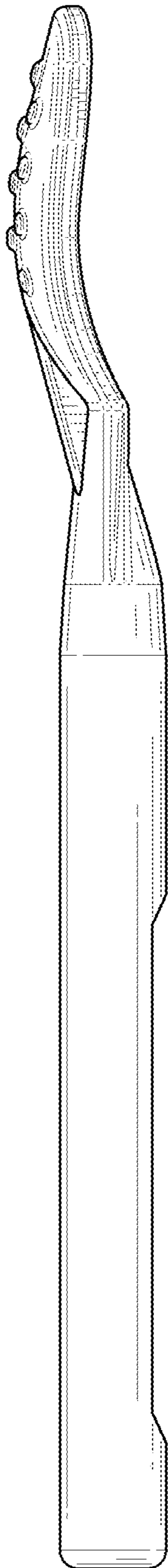


FIG. 5

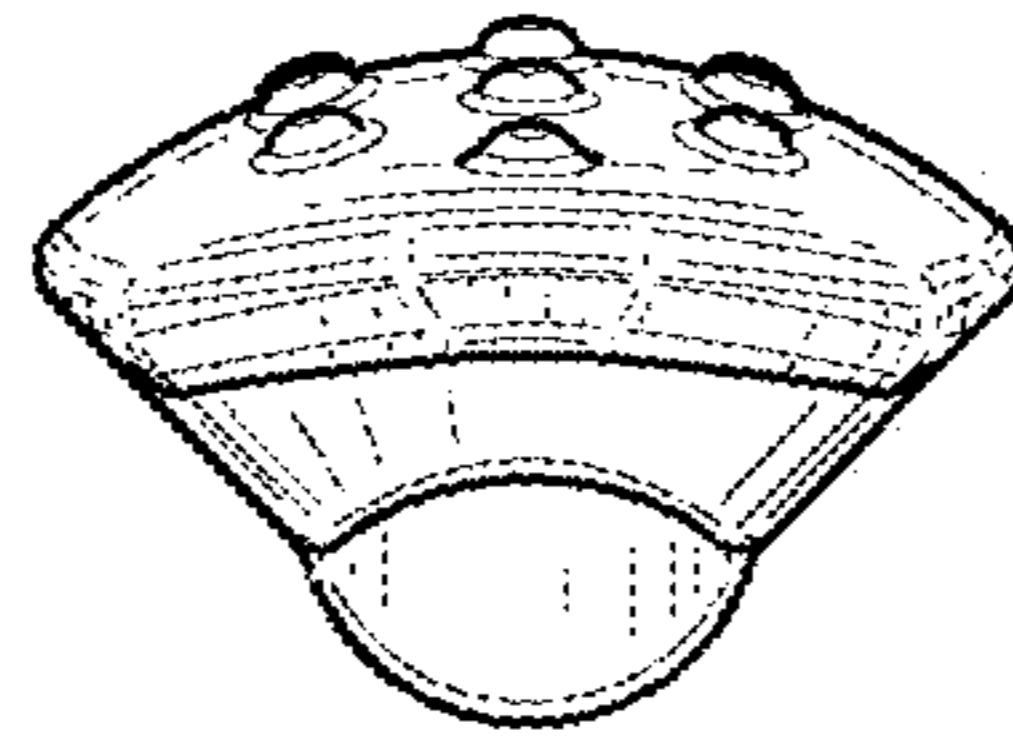


FIG. 6

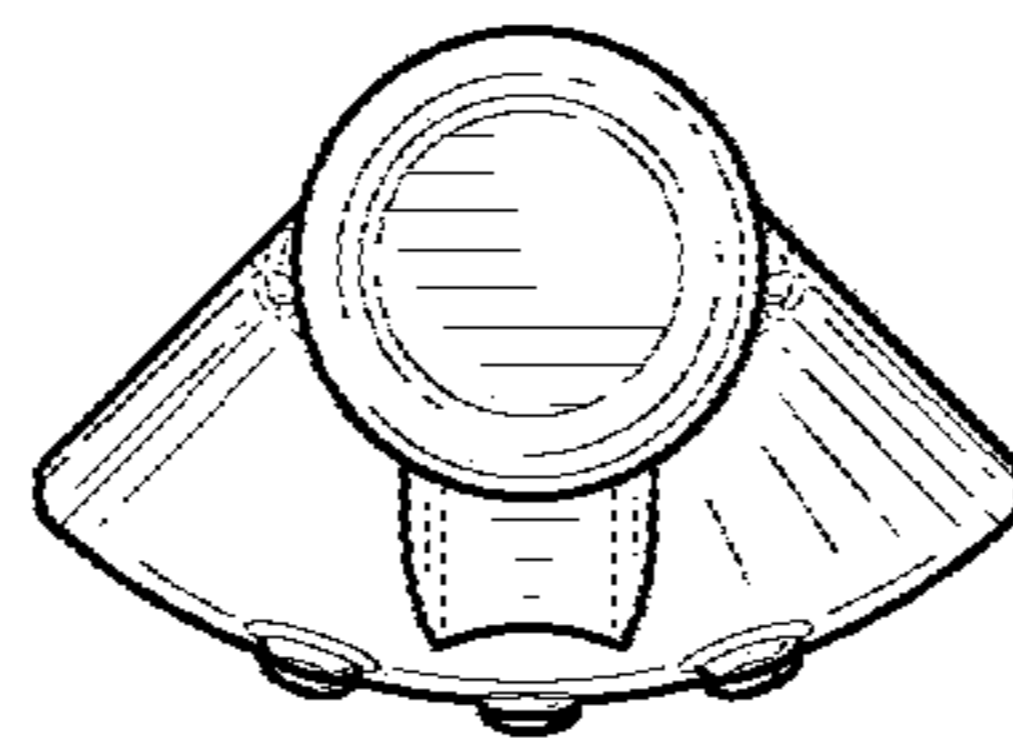


FIG. 7