



US00D937046S

(12) **United States Design Patent** (10) **Patent No.:** **US D937,046 S**
Gaiimo (45) **Date of Patent:** **** Nov. 30, 2021**

(54) **TWO-HANDLED KNIFE**

(71) Applicant: **Carmelo Phillip Gaiimo**, City Beach (AU)

(72) Inventor: **Carmelo Phillip Gaiimo**, City Beach (AU)

(**) Term: **15 Years**

(21) Appl. No.: **29/740,285**

(22) Filed: **Jul. 2, 2020**

(51) **LOC (13) Cl.** **07-03**

(52) **U.S. Cl.**
 USPC **D7/649**; D7/401.2

(58) **Field of Classification Search**
 USPC D7/393–395, 401.2, 642–652, 673, 693, D7/695–696; D8/93, 97–100, 107, 300, D8/321; D22/117–118
 CPC A01B 1/20; A01B 1/22; A22C 25/006; A47G 21/06; A47G 21/065; A61B 17/3211; A61B 17/3213; B21D 53/64; B25G 3/36; B26B 1/00; B26B 1/08; B26B 1/10; B26B 3/00; B26B 3/02; B26B 3/03; B26B 3/04; B26B 3/06; B26B 5/00; B26B 5/001; B26B 5/007; B26B 7/00; B26B 7/005; B26B 9/00; B26B 9/02; B26B 11/00; B26B 11/006; B26B 17/00; B26B 17/006; B26B 29/02

See application file for complete search history.

(56) **References Cited**

U.S. PATENT DOCUMENTS

2,264,486 A *	12/1941	Smith	B26B 3/04 30/114
2,600,646 A *	6/1952	Haugland	B26B 3/04 30/114
D413,050 S *	8/1999	Meyer	D7/673
D427,024 S *	6/2000	Meyer	D7/673
D446,427 S *	8/2001	Meyer	D7/673
D446,690 S *	8/2001	Meyer	D7/673
D447,018 S *	8/2001	Meyer	D7/673
D589,307 S *	3/2009	Mercado	D7/649

* cited by examiner

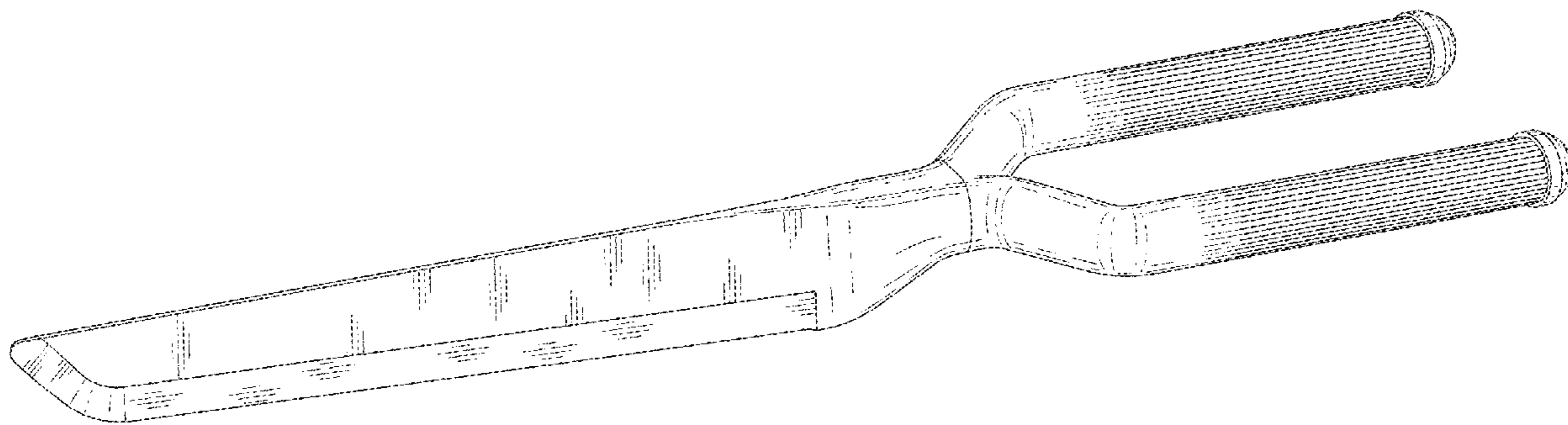
Primary Examiner — Ricky Pham
 (74) *Attorney, Agent, or Firm* — Eric Karich; Karich & Associates

(57) **CLAIM**
 The ornamental design for a two-handled knife, as shown and described.

DESCRIPTION

FIG. 1 is a perspective view of a two-handled knife, showing my new design;
 FIG. 2 is a front elevational view thereof;
 FIG. 3 is a rear elevational view thereof;
 FIG. 4 is a left side elevational view thereof;
 FIG. 5 is a right side elevational view thereof;
 FIG. 6 is a top plan view thereof; and,
 FIG. 7 is a bottom plan view thereof.

1 Claim, 3 Drawing Sheets



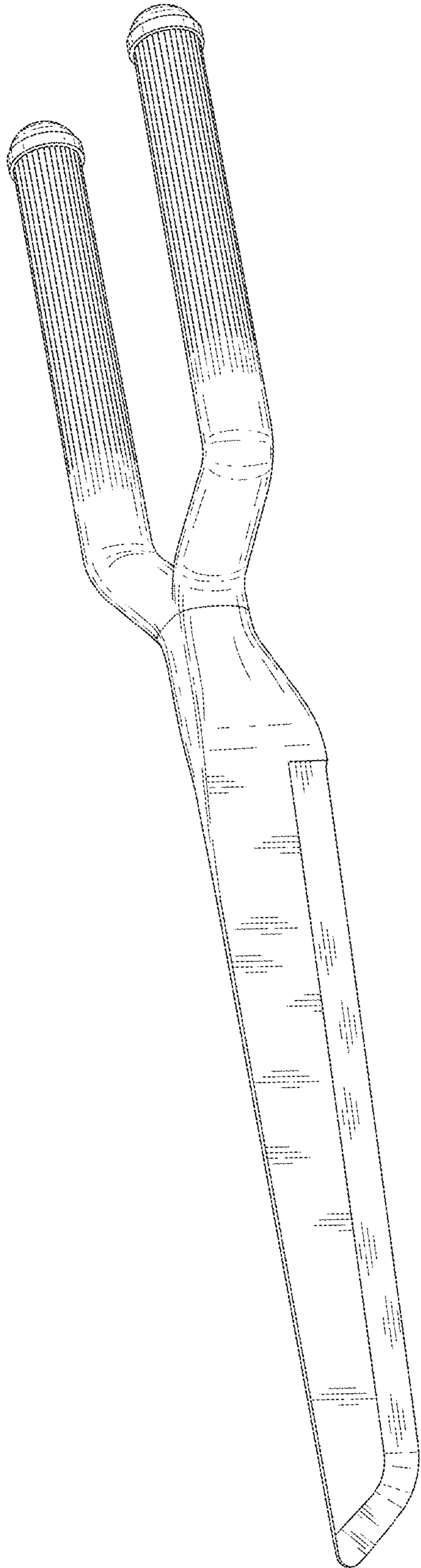


Fig. 1

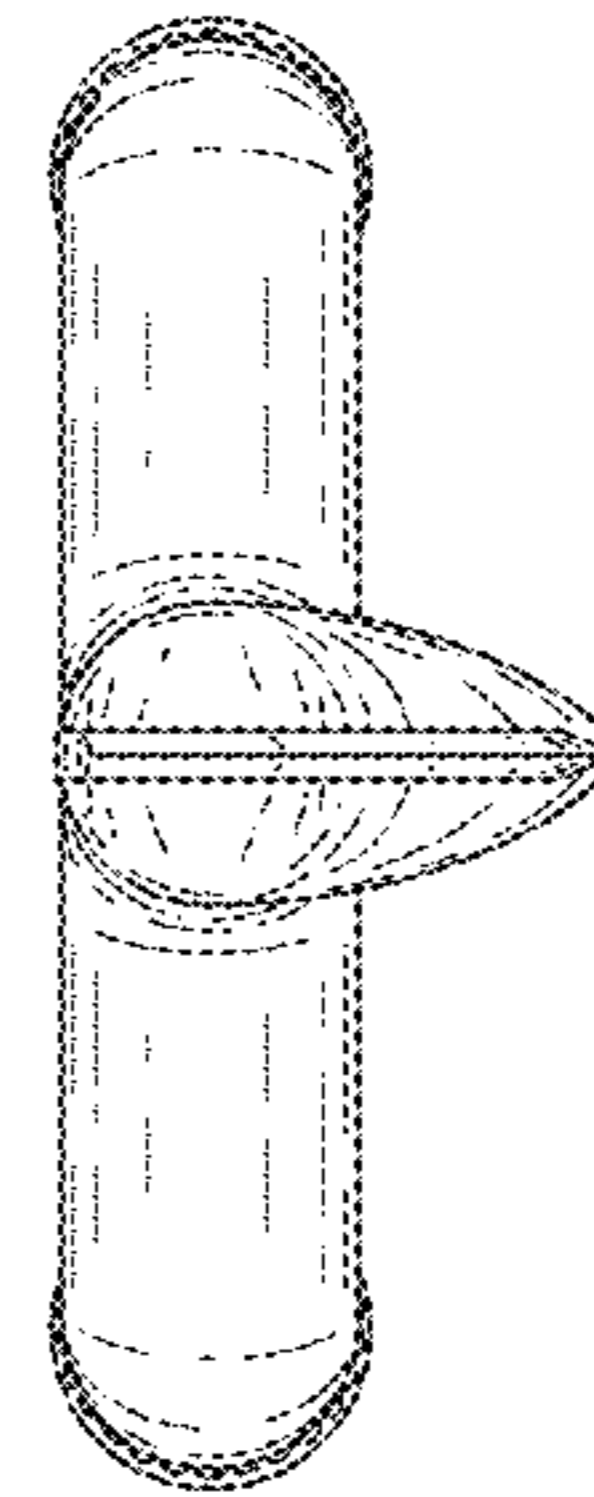


Fig. 2

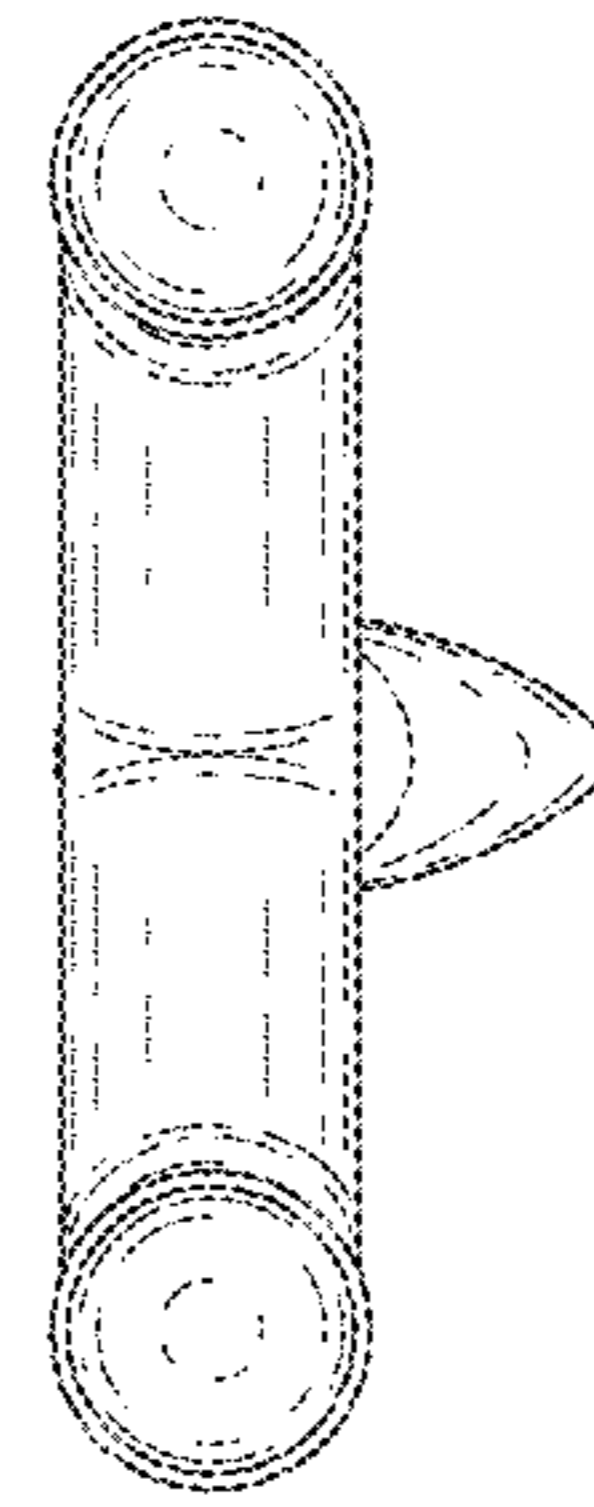


Fig. 3

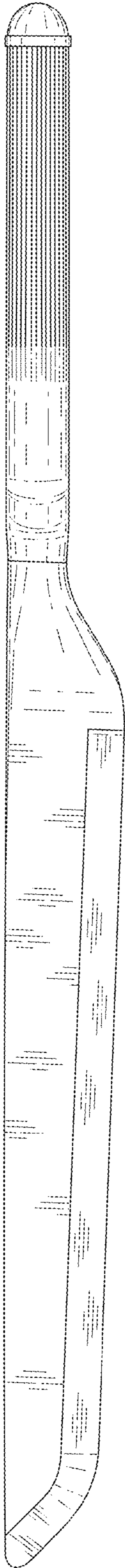


Fig. 4



Fig. 5

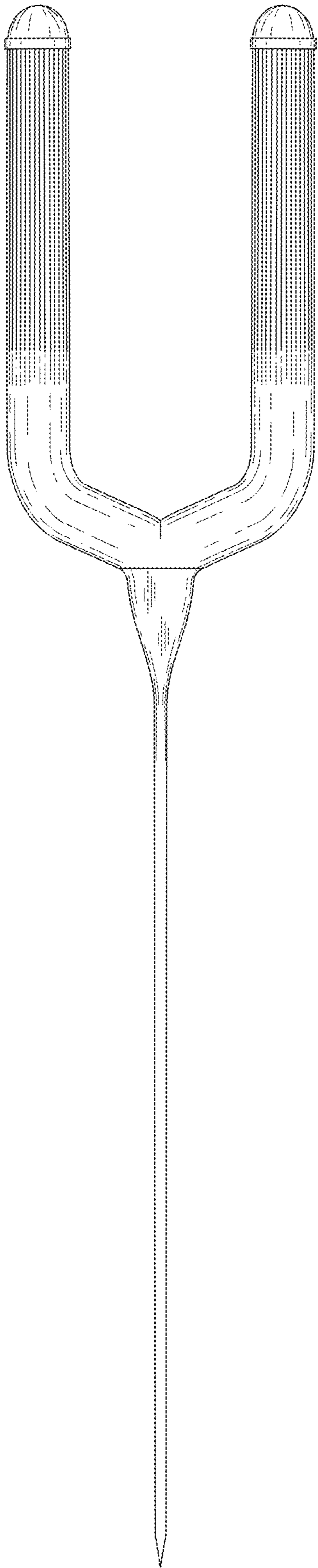


Fig. 6

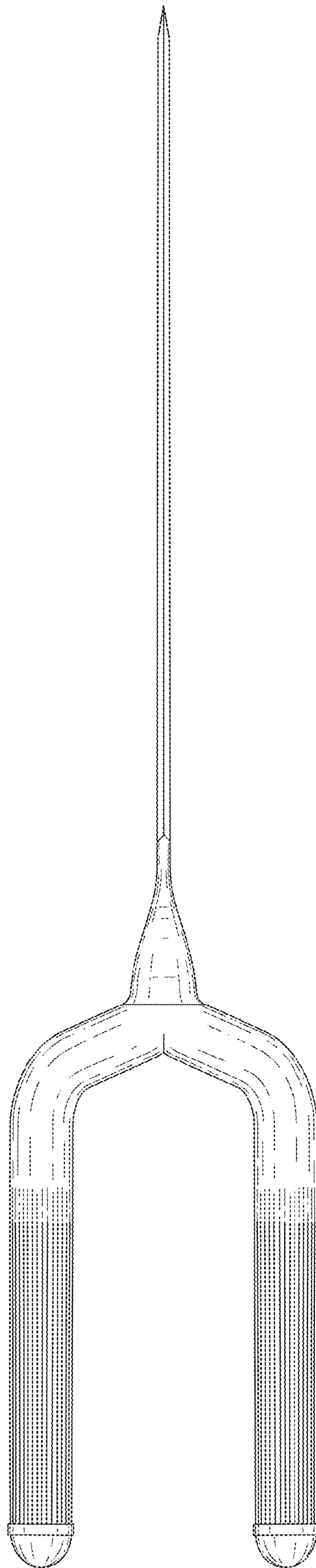


Fig. 7