



US00D937044S

(12) **United States Design Patent**
Huckestein

(10) **Patent No.:** **US D937,044 S**

(45) **Date of Patent:** **** Nov. 30, 2021**

(54) **SANDWICH CONTAINER**

(71) Applicant: **William Huckestein**, Ventura, CA (US)

(72) Inventor: **William Huckestein**, Ventura, CA (US)

(**) Term: **15 Years**

(21) Appl. No.: **29/714,723**

(22) Filed: **Nov. 25, 2019**

(51) **LOC (13) Cl.** **09-07**

(52) **U.S. Cl.**
USPC **D7/629**; D9/426; D9/432

(58) **Field of Classification Search**
USPC D9/499, 414-444, 452, 554, 555, 567,
D9/568, 560; D7/354, 357, 553.1, 553.2,
D7/555, 601-641, 703, 707, 715, 721,
D7/737, 740-745
CPC B65D 2543/00296; B65D 21/02; B65D
43/00; B65D 43/02
See application file for complete search history.

(56) **References Cited**

U.S. PATENT DOCUMENTS

2,630,915	A *	3/1953	Grant	B65D 75/54 206/447
D272,705	S *	2/1984	Gottsegen	D3/294
D420,911	S *	2/2000	Panasewicz	D9/432
D428,310	S *	7/2000	Zettle	D7/629
D482,241	S *	11/2003	Tyler	D7/607
D542,100	S *	5/2007	Kim	D7/629
D617,637	S *	6/2010	Anderson	D9/432
7,726,483	B2 *	6/2010	Ramanujam	B65D 21/0223 206/508
D686,065	S *	7/2013	Kuo	D9/432
D717,166	S *	11/2014	Lee	D9/432
D742,224	S *	11/2015	Thurin	D9/432
D778,156	S *	2/2017	Follett	D9/432
D791,589	S *	7/2017	Remash	D9/432
D796,266	S *	9/2017	Croft	D7/538

D796,920	S *	9/2017	Staton	D7/709
D803,681	S *	11/2017	Yang	D9/432
D815,500	S *	4/2018	Michie	D7/709
D815,924	S *	4/2018	Croft	D7/629
D821,823	S *	7/2018	Racamier	D7/602

(Continued)

OTHER PUBLICATIONS

Bento Lunch Box with Upgraded Adjustable Strap. Designed by Acupteatech. Photo published by Gnemik, Jan. 12, 2020. Visited Sep. 20, 2021. https://www.amazon.com/Adjustable-Stackable-Leakproof-Containers-Bag-White/dp/B083DPQC6J/ref=cm_cr_arpd_product_top?ie=UTF8 (Year: 2020).*

(Continued)

Primary Examiner — Darcey E Gottschalk
Assistant Examiner — Vanessa Michelle Pursley
(74) *Attorney, Agent, or Firm* — Quickpatents, LLC;
Kevin Prince

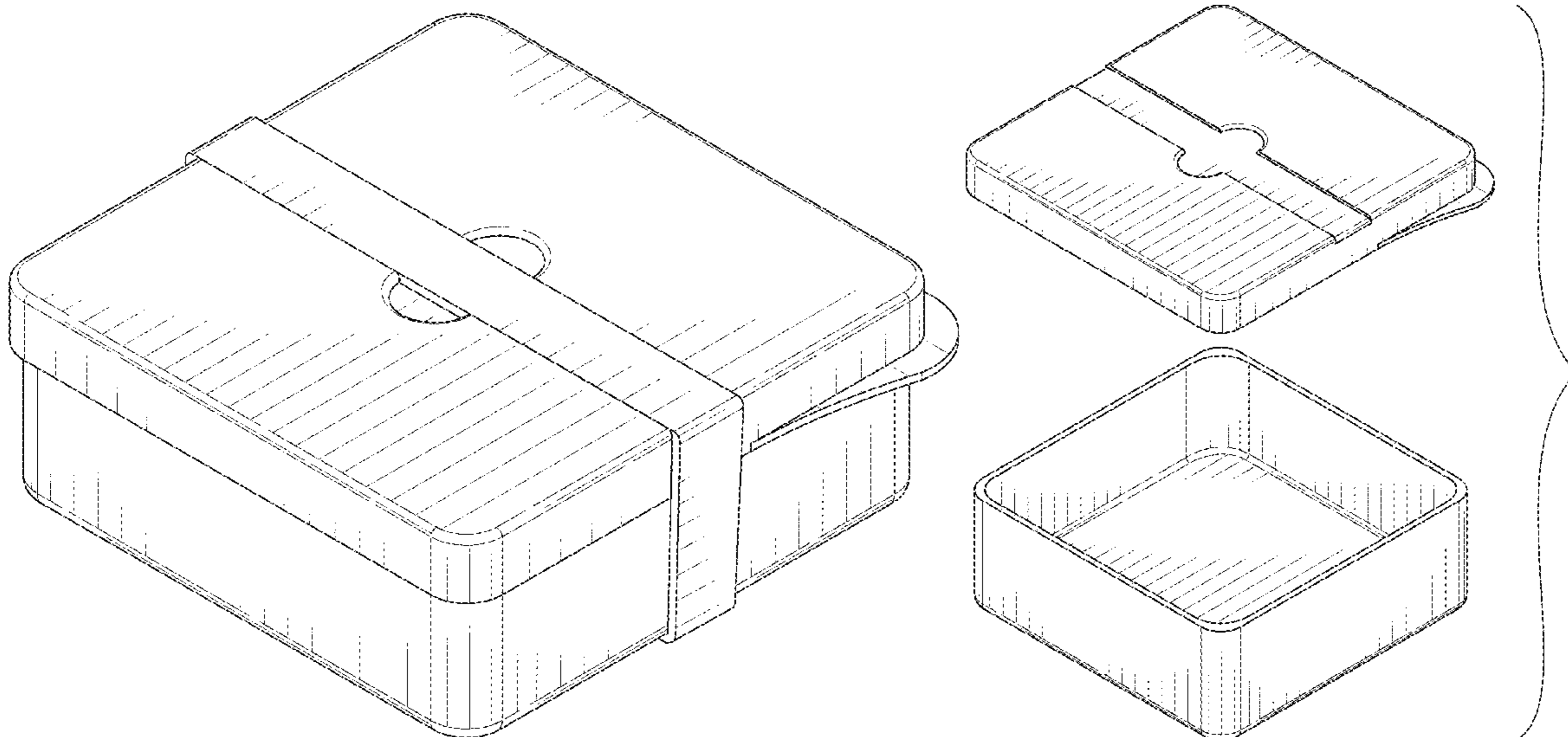
(57) **CLAIM**

The ornamental design for a sandwich container, as shown and described.

DESCRIPTION

FIG. 1 is a perspective view of a sandwich container, showing my new design in an assembled configuration; FIG. 2 is a front elevational view of FIG. 1; FIG. 3 is a rear elevational view of FIG. 1; FIG. 4 is a left-side elevational view of FIG. 1; FIG. 5 is a right-side elevational view of FIG. 1; FIG. 6 is a top plan view of FIG. 1; FIG. 7 is a bottom plan view of FIG. 1; FIG. 8 is an exploded top perspective view thereof, illustrated with a strap omitted for clarity of illustration; and FIG. 9 is an exploded bottom perspective view of FIG. 8; and, FIG. 10 is an exploded bottom perspective cross-sectional view of FIG. 9, taken along line 10-10.

1 Claim, 8 Drawing Sheets



(56)

References Cited

U.S. PATENT DOCUMENTS

D883,754 S * 5/2020 Xu D7/629
D899,200 S * 10/2020 Xu D7/629
2007/0119743 A1 * 5/2007 Tucker B65D 21/0223
206/503
2009/0084796 A1 * 4/2009 Coonce B65D 43/0208
220/508
2011/0114638 A1 * 5/2011 Kettner B65D 43/021
220/260

OTHER PUBLICATIONS

Goodful Lunch To Go Salad Container. Designed by Goodful. Photo published by Zachary, Jan. 17, 2021. Visited Sep. 20, 2021. https://www.amazon.com/Goodful-Container-Leak-Proof-Removeable-Compartments/dp/B08BR3LTVB/ref=asc_df_B08BR3LTVB/ (Year: 2021).*

Bentgo Classic All-in-One Stackable Bento Lunch Box Container. Designed by Bentgo. Photo published by Vky, Sep. 29, 2016. Visited Sep. 20, 2021. https://www.amazon.com/Bentgo-Classic-Gray-All-Built/dp/B00B78UBO4/ref=cm_cr_arp_d_product_top?ie=UTF8 (Year: 2016).*

8 best reusable lunchboxes that will help you reduce waste. Published by Kayleigh Rattle, Jun. 1, 2020. Visited Sep. 20, 2021. <https://www.independent.co.uk/extras/indybest/food-drink/best-reusable-lunch-boxes-recycling-environment-plastic-food-a8486496.html> (Year: 2020).*

* cited by examiner

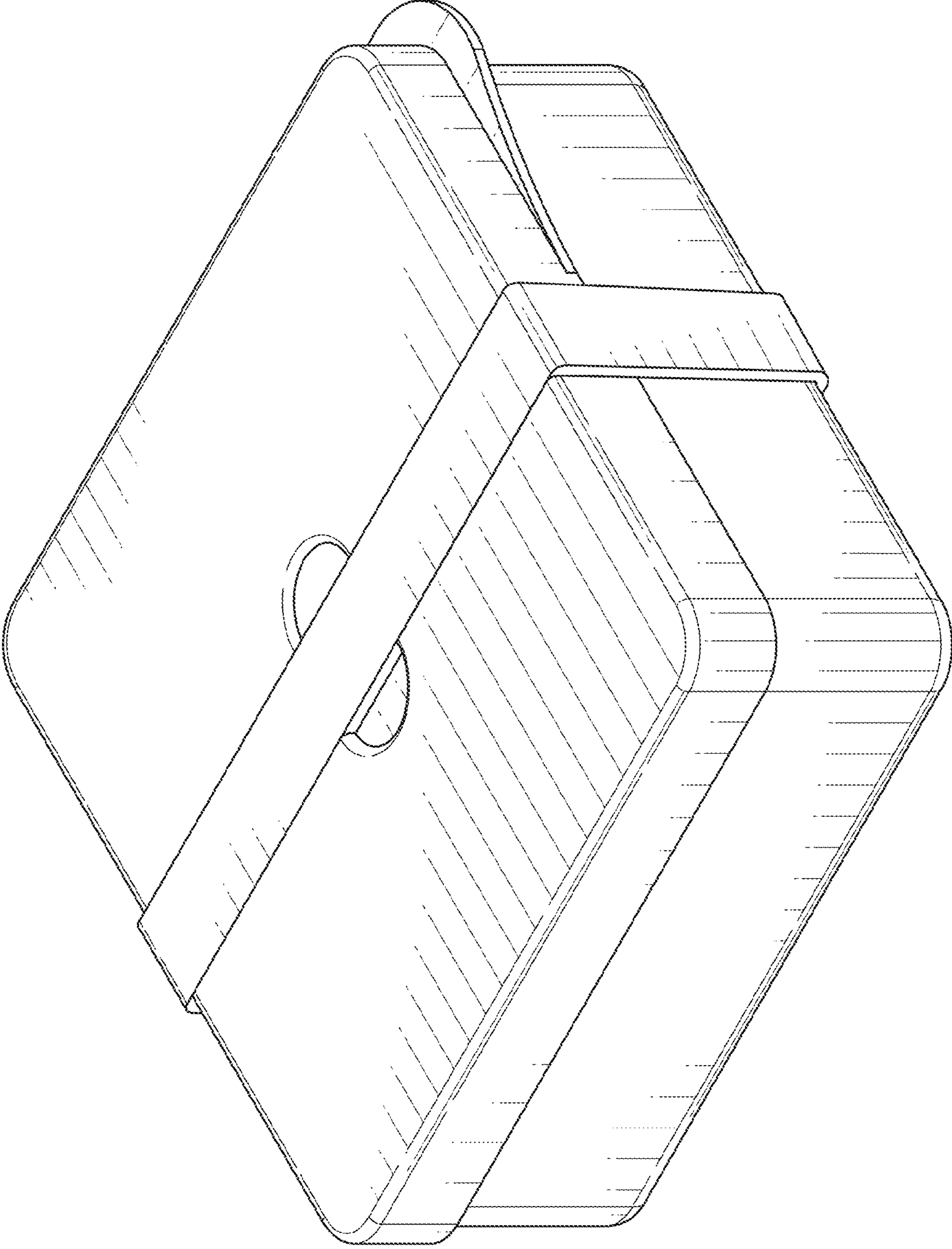


FIG. 1

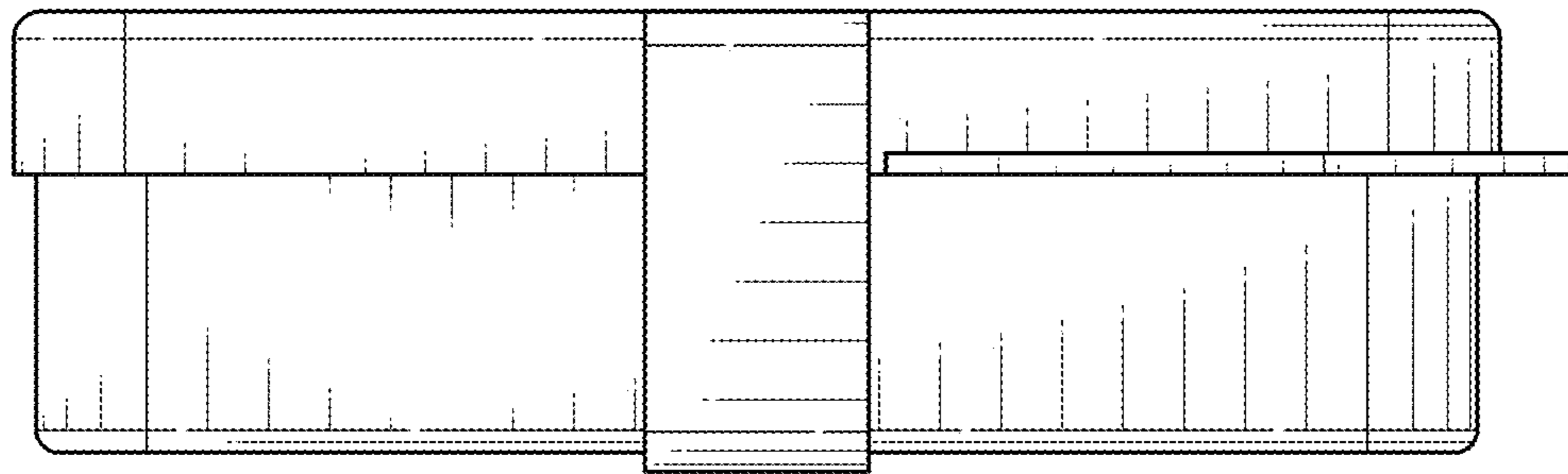


FIG. 2

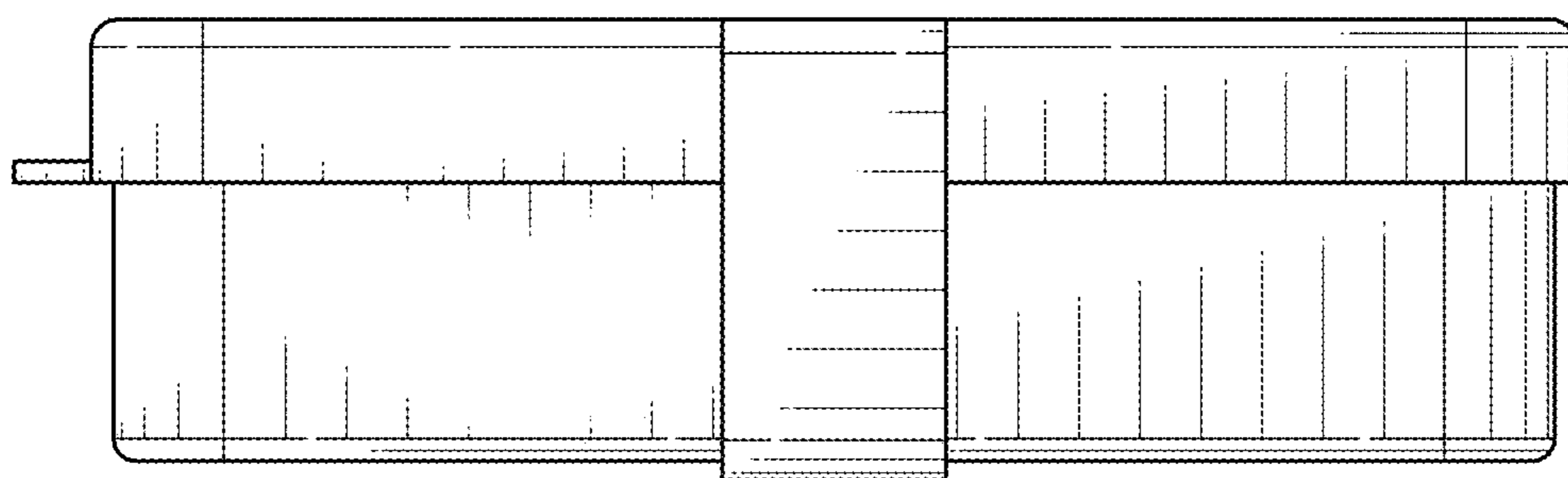


FIG. 3

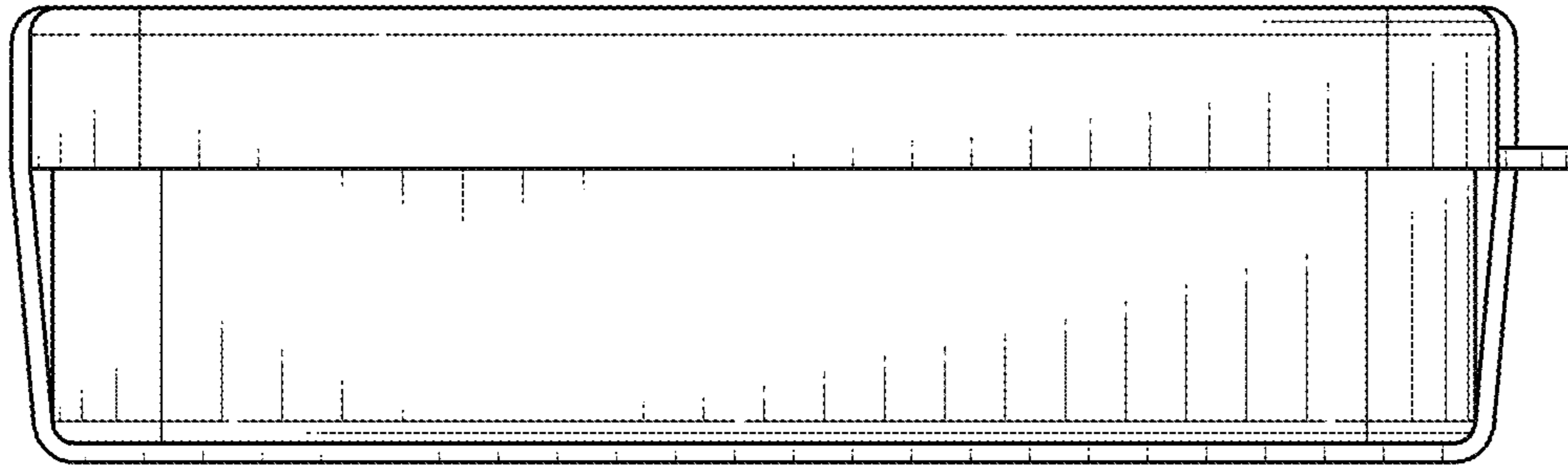


FIG. 4

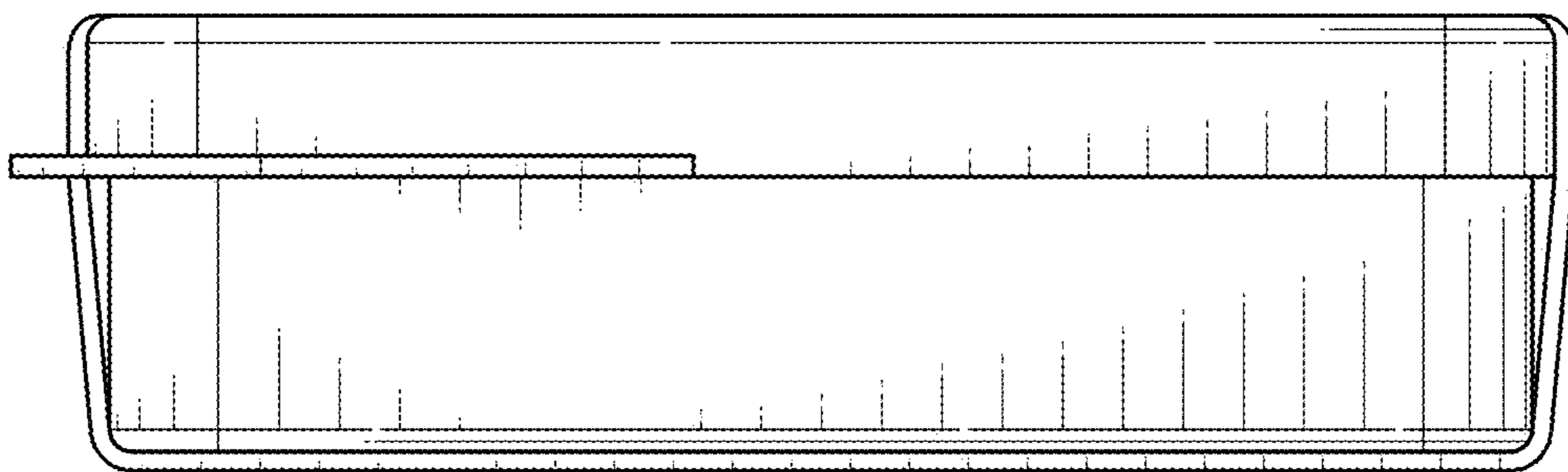


FIG. 5

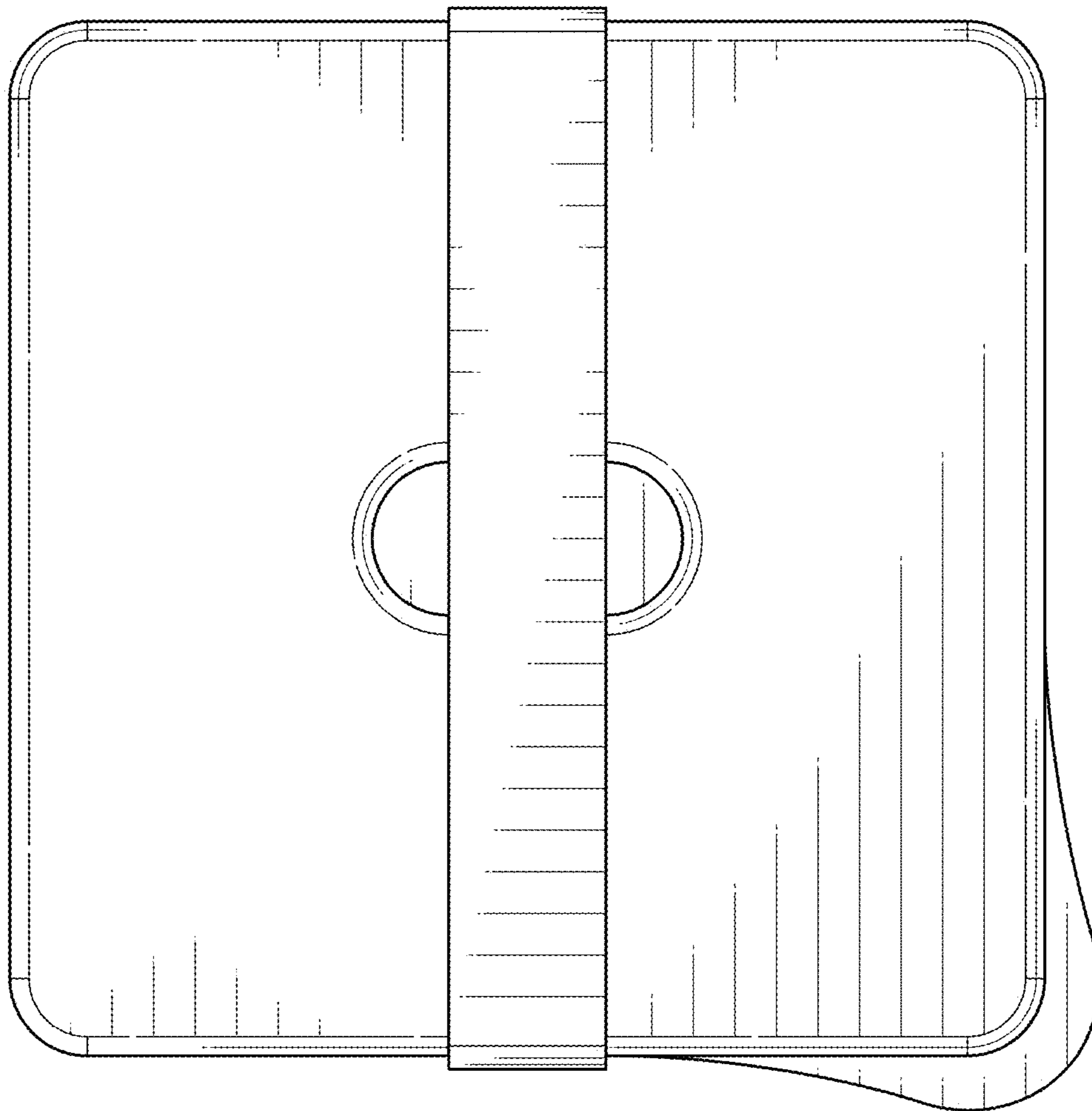


FIG. 6

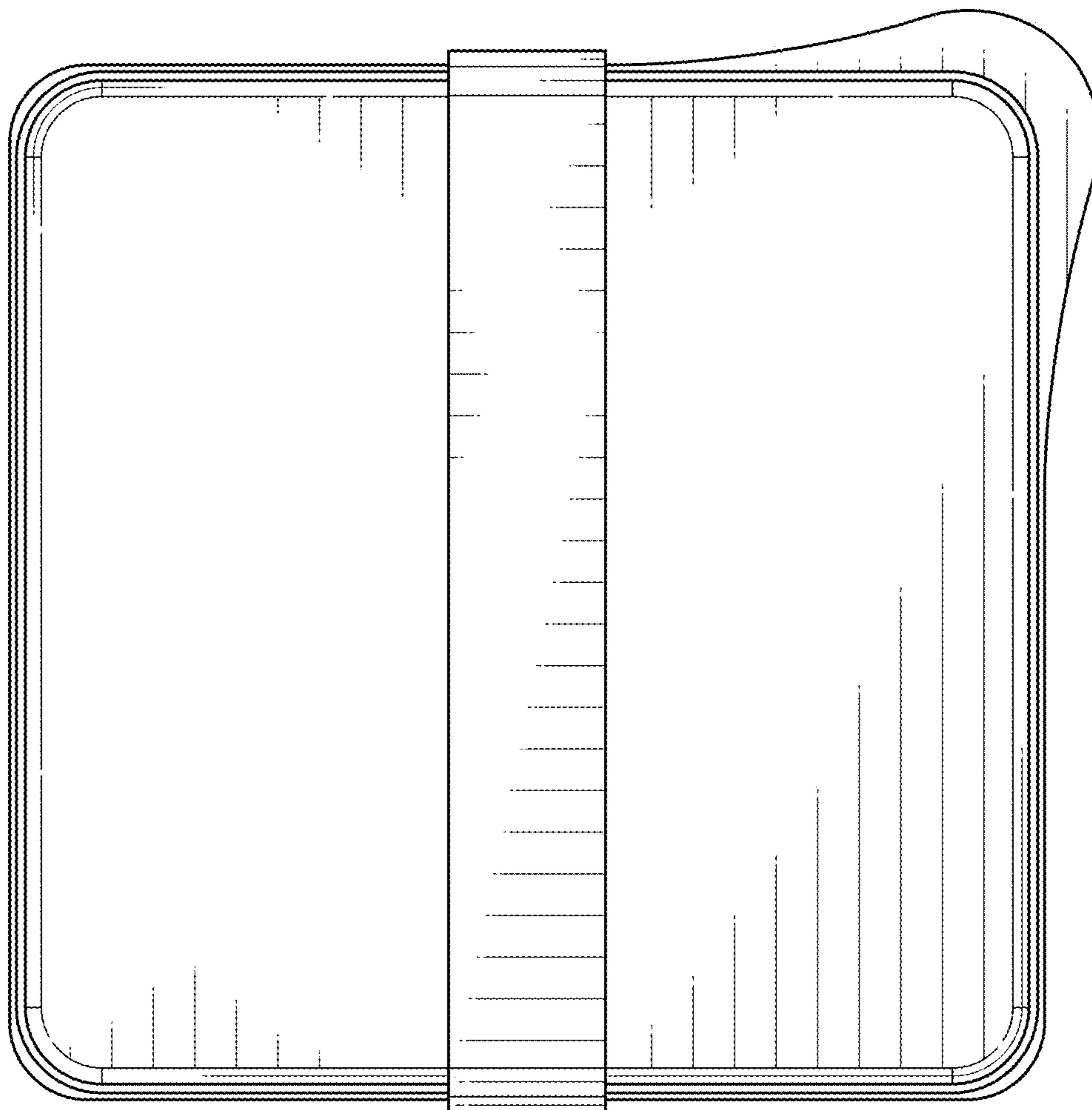


FIG. 7

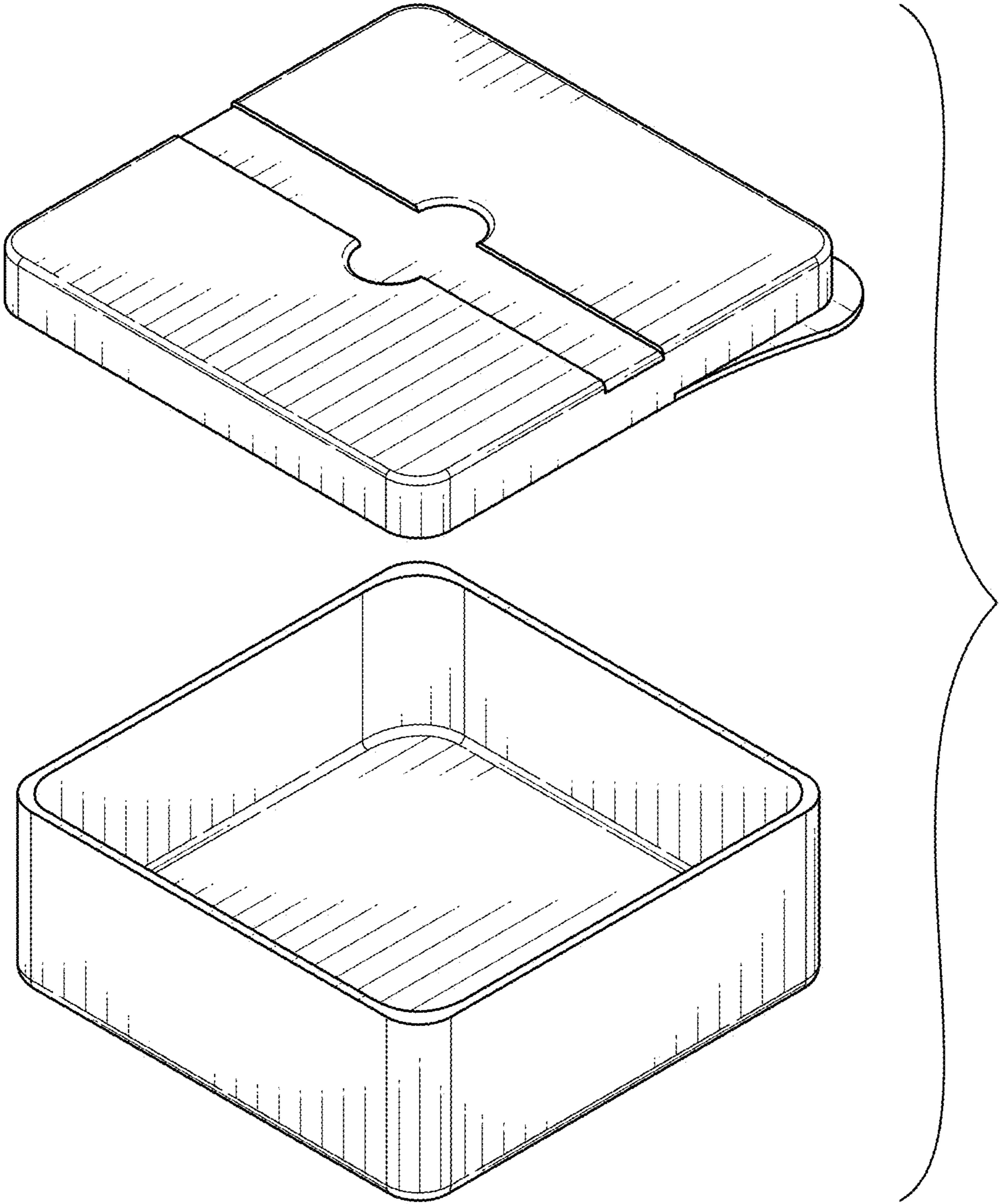


FIG. 8

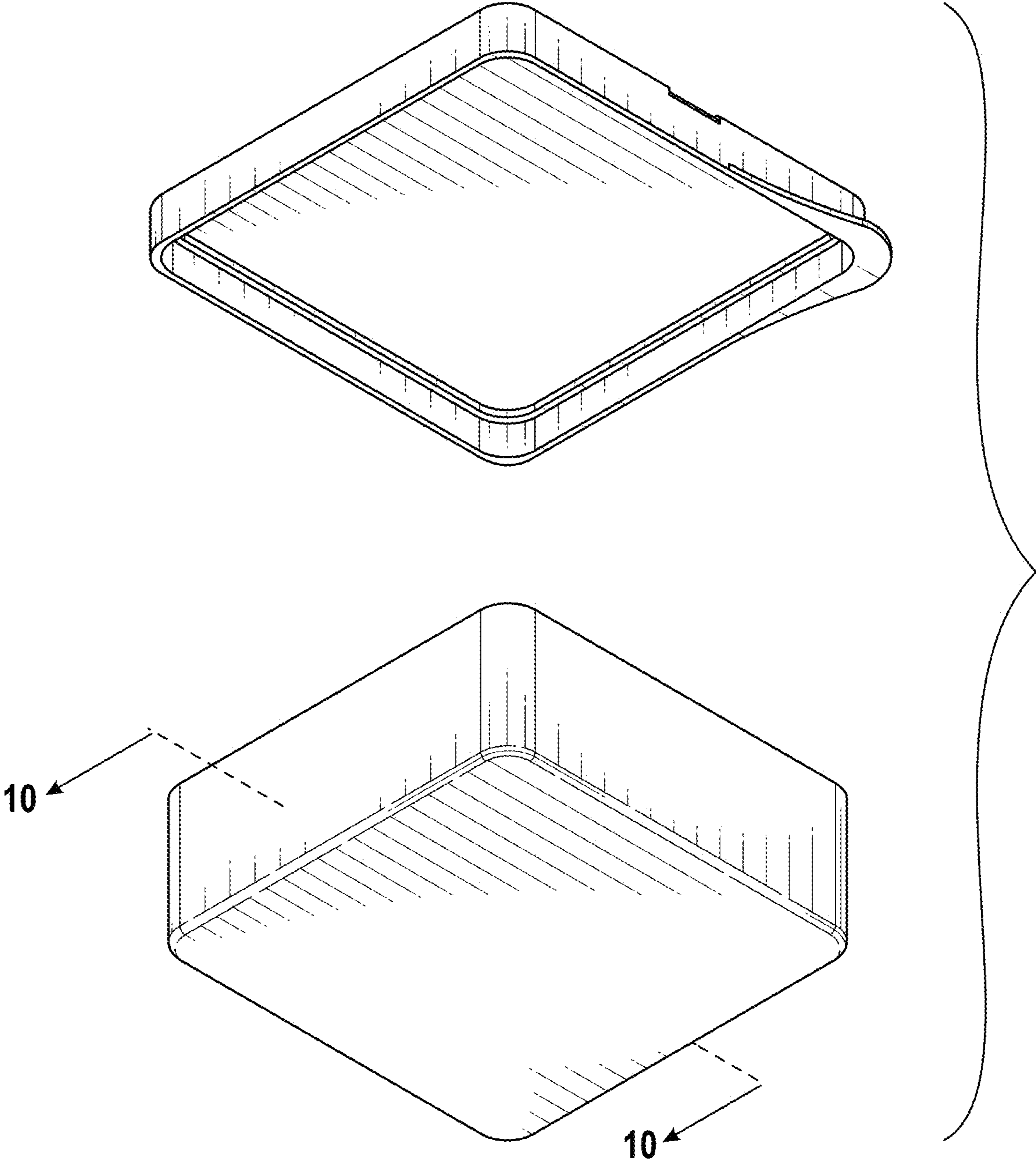


FIG. 9

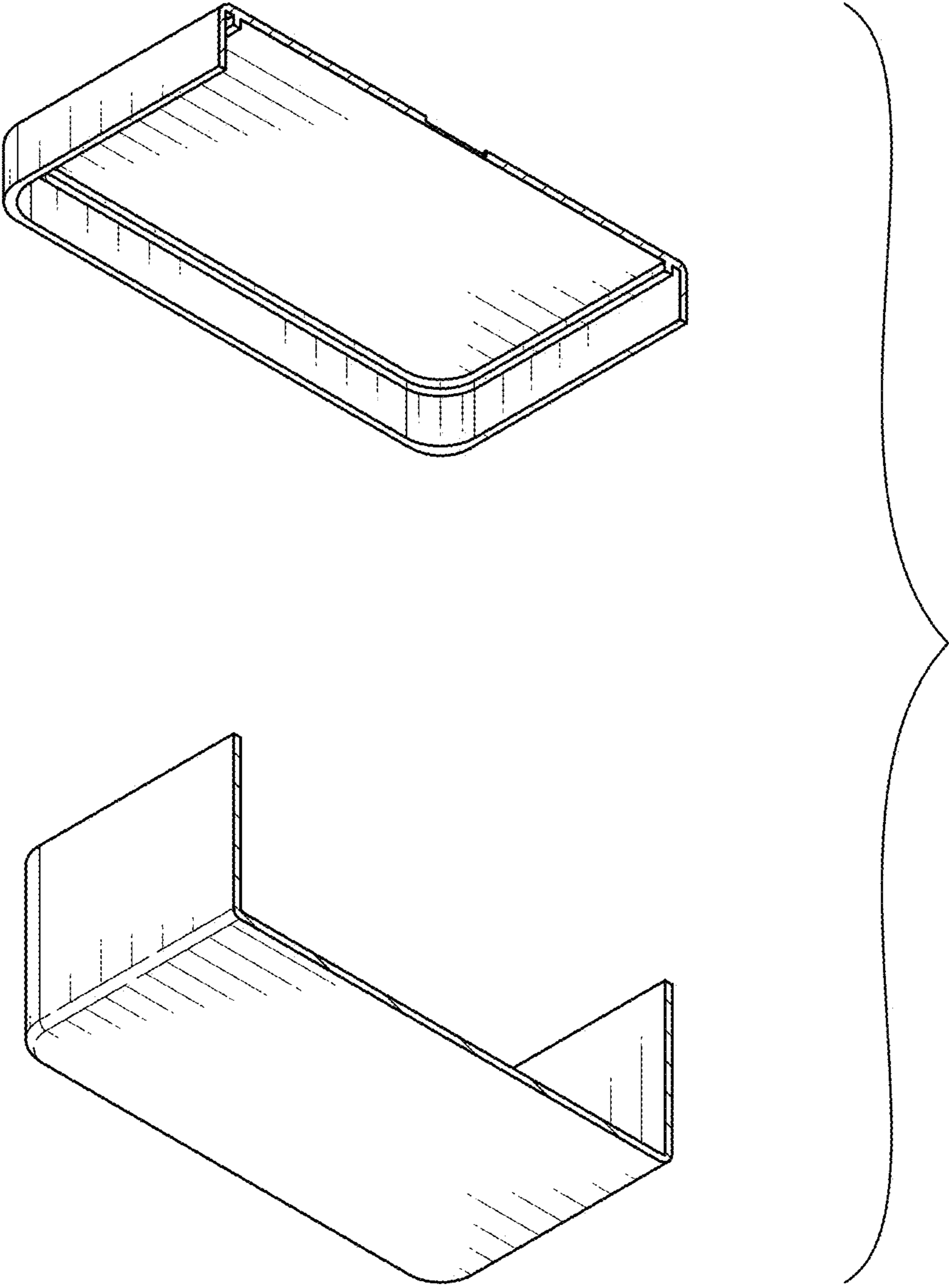


FIG. 10