



US00D937039S

(12) **United States Design Patent**
McConnell et al.

(10) **Patent No.:** **US D937,039 S**

(45) **Date of Patent:** **** Nov. 30, 2021**

(54) **ENCLOSURE FOR A BLENDER ASSEMBLY**

B02C 4/143; B02C 4/423; B02C 13/1835;
B28C 5/10; B28C 5/12; B28C 5/14;
B28C 5/16

(71) Applicant: **WHIRLPOOL CORPORATION**,
Benton Harbor, MI (US)

See application file for complete search history.

(72) Inventors: **John W. McConnell**, St. Joseph, MI
(US); **Brandon T. Mock**, St. Joseph,
MI (US); **Zhaoyi Yin**, Benton Harbor,
MI (US)

(56) **References Cited**

U.S. PATENT DOCUMENTS

D295,012 S 4/1988 Gelber
5,533,797 A 7/1996 Gelber

(Continued)

(73) Assignee: **Whirlpool Corporation**, Benton
Harbor, MI (US)

Primary Examiner — Ricky Pham

(**) Term: **15 Years**

(74) *Attorney, Agent, or Firm* — Price Heneveld LLP

(21) Appl. No.: **29/784,214**

(57) **CLAIM**

We claim the ornamental design for an enclosure for a
blender assembly, as shown and described.

(22) Filed: **May 18, 2021**

DESCRIPTION

Related U.S. Application Data

(63) Continuation of application No. 29/752,905, filed on
Sep. 29, 2020, now Pat. No. Des. 922,144, which is
a continuation of application No. 29/733,200, filed on
Apr. 30, 2020, now Pat. No. Des. 901,247, which is
a continuation of application No. 29/660,744, filed on
Aug. 22, 2018, now Pat. No. Des. 883,021.

FIG. 1 is a front perspective view of an enclosure for a
blender assembly of the present disclosure;

FIG. 2 is a rear perspective view of the enclosure for a
blender assembly of FIG. 1;

FIG. 3 is a front elevational view of the enclosure for a
blender assembly of FIG. 1;

FIG. 4 is a rear elevational view of the enclosure for a
blender assembly of FIG. 1;

FIG. 5 is a first side elevational view of the enclosure for a
blender assembly of FIG. 1;

FIG. 6 is a second side elevational view of the enclosure for
a blender assembly of FIG. 1;

FIG. 7 is a top plan view of the enclosure for a blender
assembly of FIG. 1;

FIG. 8 is a bottom plan view of the enclosure for a blender
assembly of FIG. 1; and,

FIG. 9 is a front top perspective view of an enclosure for a
blender assembly, where the enclosure portion has been
moved to a raised position.

The broken lines depict portions of the article that form no
part of the claimed design.

(51) **LOC (13) Cl.** **31-00**

(52) **U.S. Cl.**

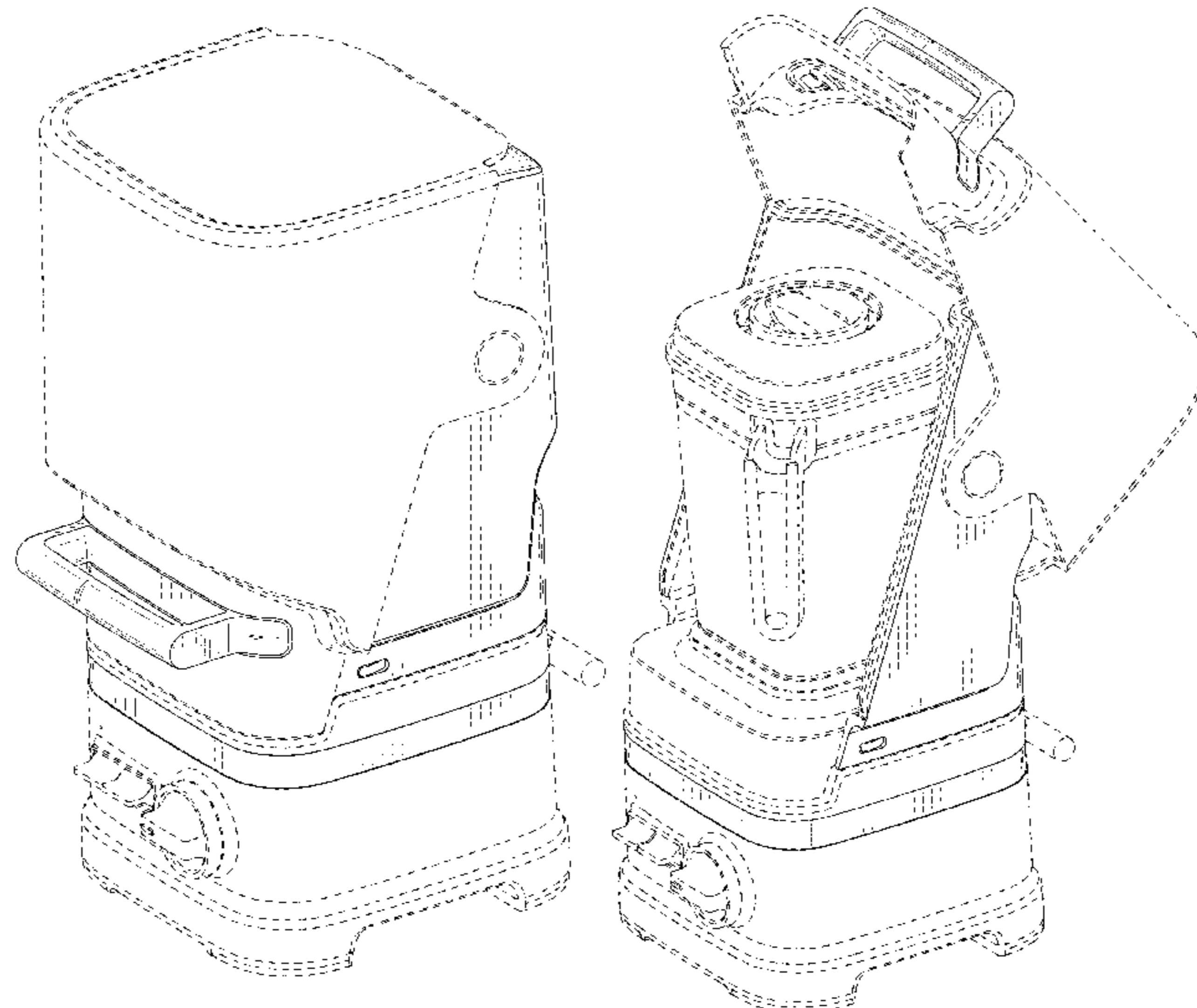
USPC **D7/412**; D7/376; D7/378

(58) **Field of Classification Search**

USPC D7/372, 376–386, 412–413, 602, 629,
D7/665–666, 669, 679, 693–694;
D15/122

CPC A21C 1/02; A21C 1/04; A23N 1/00; A23N
1/02; A47J 43/04; A47J 43/25; A47J
43/27; A47J 43/042; A47J 43/044; A47J
43/046; A47J 43/075; A47J 43/0722;
A47J 43/0727; A47J 45/08; B01F 3/00;
B01F 3/0807; B01F 3/0853; B01F
13/0059; B01F 13/0064; B02C 1/08;
B02C 2/04; B02C 4/42; B02C 4/142;

1 Claim, 9 Drawing Sheets



(56)

References Cited

U.S. PATENT DOCUMENTS

D400,048 S * 10/1998 Ollson D7/378
 5,957,577 A 9/1999 Dickson et al.
 6,019,238 A 2/2000 Kindig et al.
 D427,016 S 6/2000 Kindig et al.
 D428,564 S 7/2000 Kao
 D432,864 S 10/2000 Kindig et al.
 D466,761 S 12/2002 Baerenrodt et al.
 D471,059 S 3/2003 Chuang
 6,612,732 B2 9/2003 Blakeman, II et al.
 D526,845 S 8/2006 Katz et al.
 D528,364 S 9/2006 Kolar et al.
 D557,976 S 12/2007 Olson et al.
 7,520,663 B1 4/2009 Kolar et al.
 D592,903 S 5/2009 Olson et al.
 D594,697 S 6/2009 Lavy
 D595,087 S 6/2009 Metaxatos et al.
 D637,862 S 5/2011 Fouquet
 8,287,180 B2 10/2012 Kolar et al.
 D734,788 S * 7/2015 Reches D15/122
 D766,998 S * 9/2016 Kao D15/122
 D770,225 S 11/2016 McConnell et al.

D783,693 S * 4/2017 Reches D15/122
 D786,613 S 5/2017 McConnell et al.
 D787,882 S 5/2017 McConnell et al.
 D835,162 S 12/2018 Reches et al.
 D838,538 S 1/2019 Carlson
 D842,025 S 3/2019 Hauser
 D854,591 S * 7/2019 Gupta D15/122
 10,383,481 B2 8/2019 Kim
 D858,195 S 9/2019 Lee
 D883,021 S 5/2020 McConnell et al.
 D892,182 S * 8/2020 Ouyang D15/122
 D900,172 S 10/2020 Wu et al.
 D901,247 S 11/2020 McConnell et al.
 D905,493 S * 12/2020 Ye D7/378
 D906,381 S * 12/2020 Jeffery D15/122
 D922,144 S * 6/2021 McConnell D7/412
 2003/0034200 A1 2/2003 Bohannon et al.
 2005/0152215 A1 7/2005 Stuart et al.
 2010/0014380 A1 1/2010 Kolar et al.
 2010/0038462 A1 2/2010 Kolar et al.
 2014/0217211 A1 8/2014 Sanford
 2017/0224169 A1 8/2017 Kolar
 2018/0310769 A1 11/2018 Kim
 2018/0326378 A1 11/2018 Moon

* cited by examiner

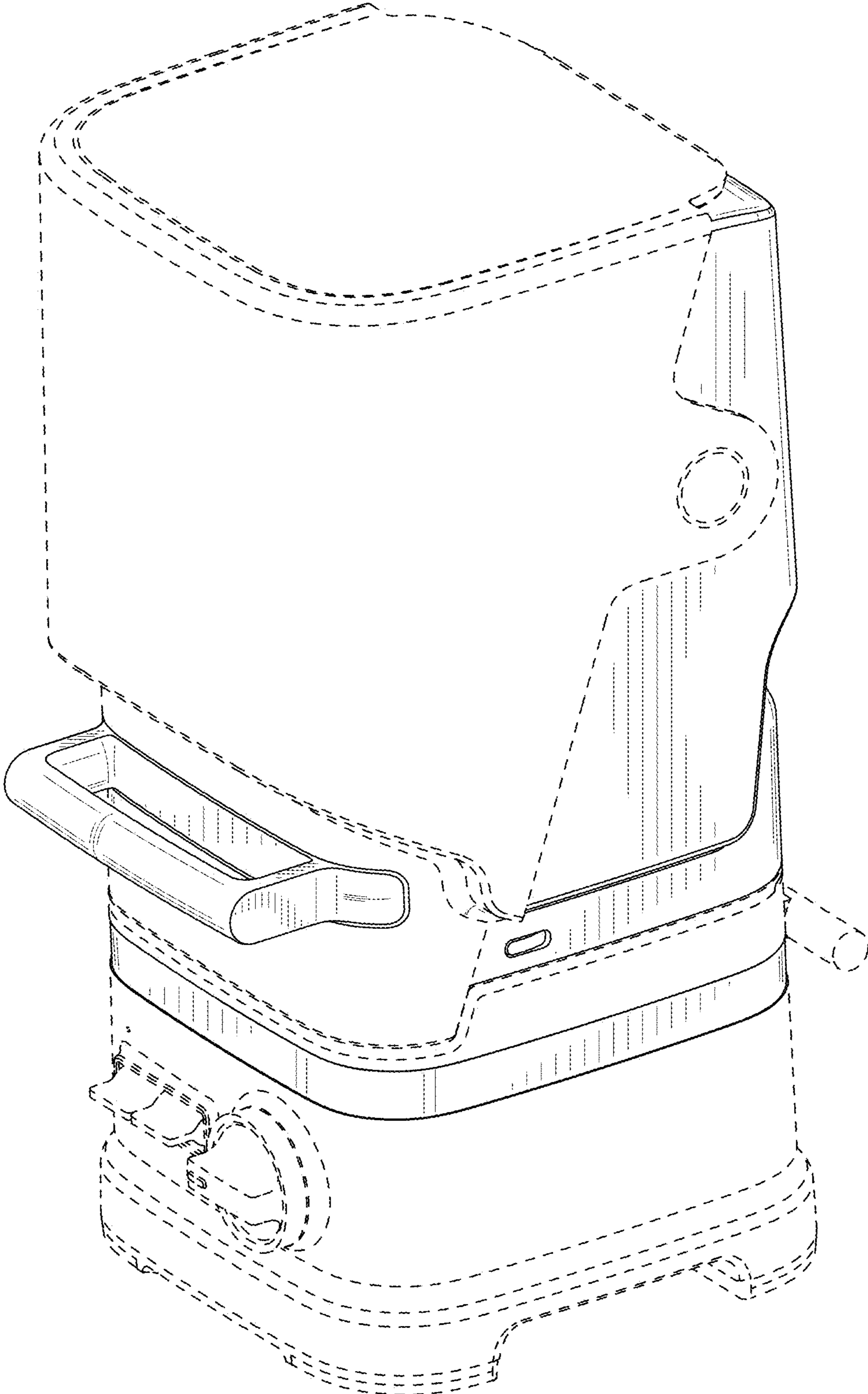


FIG. 1

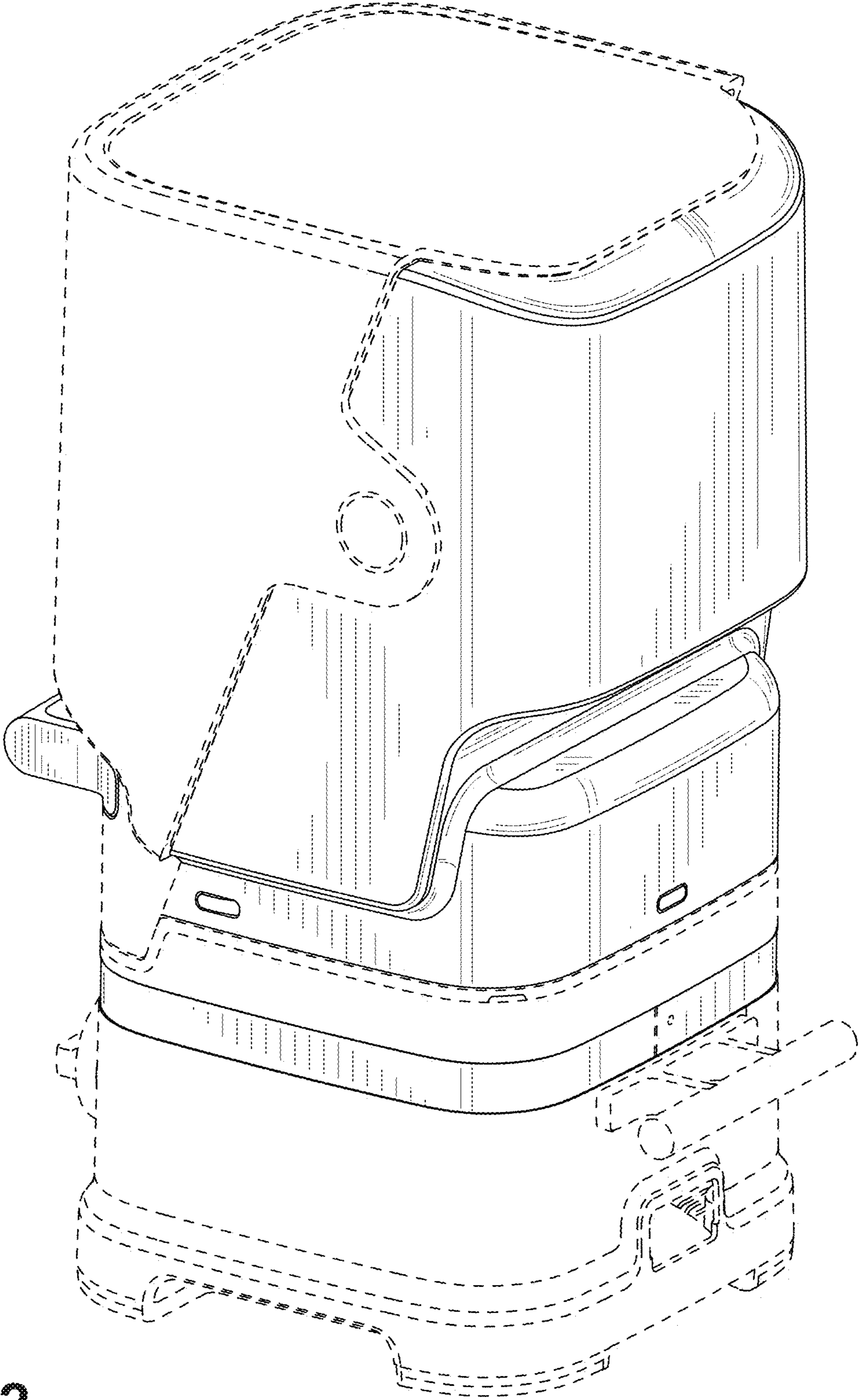


FIG. 2

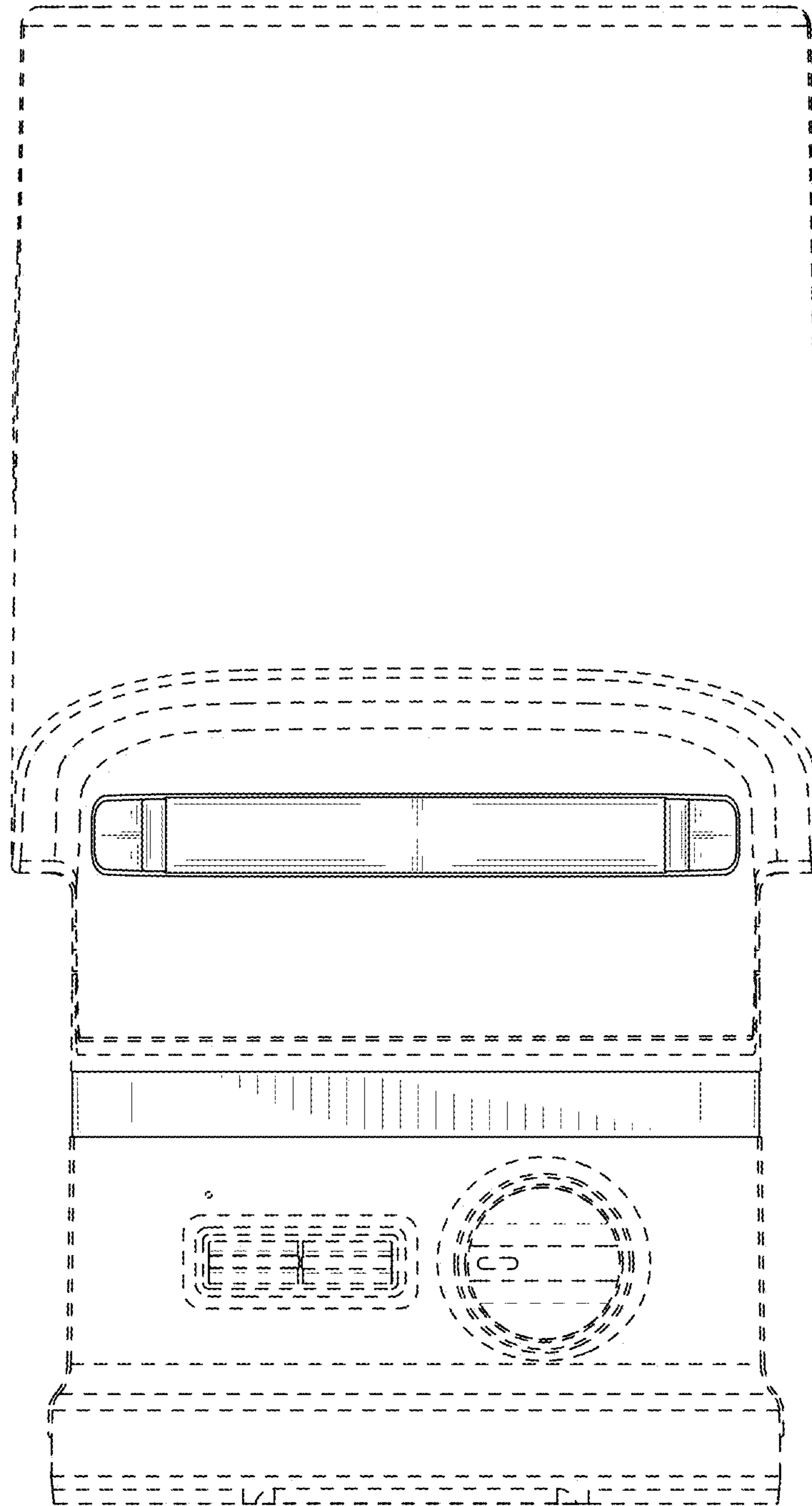


FIG. 3

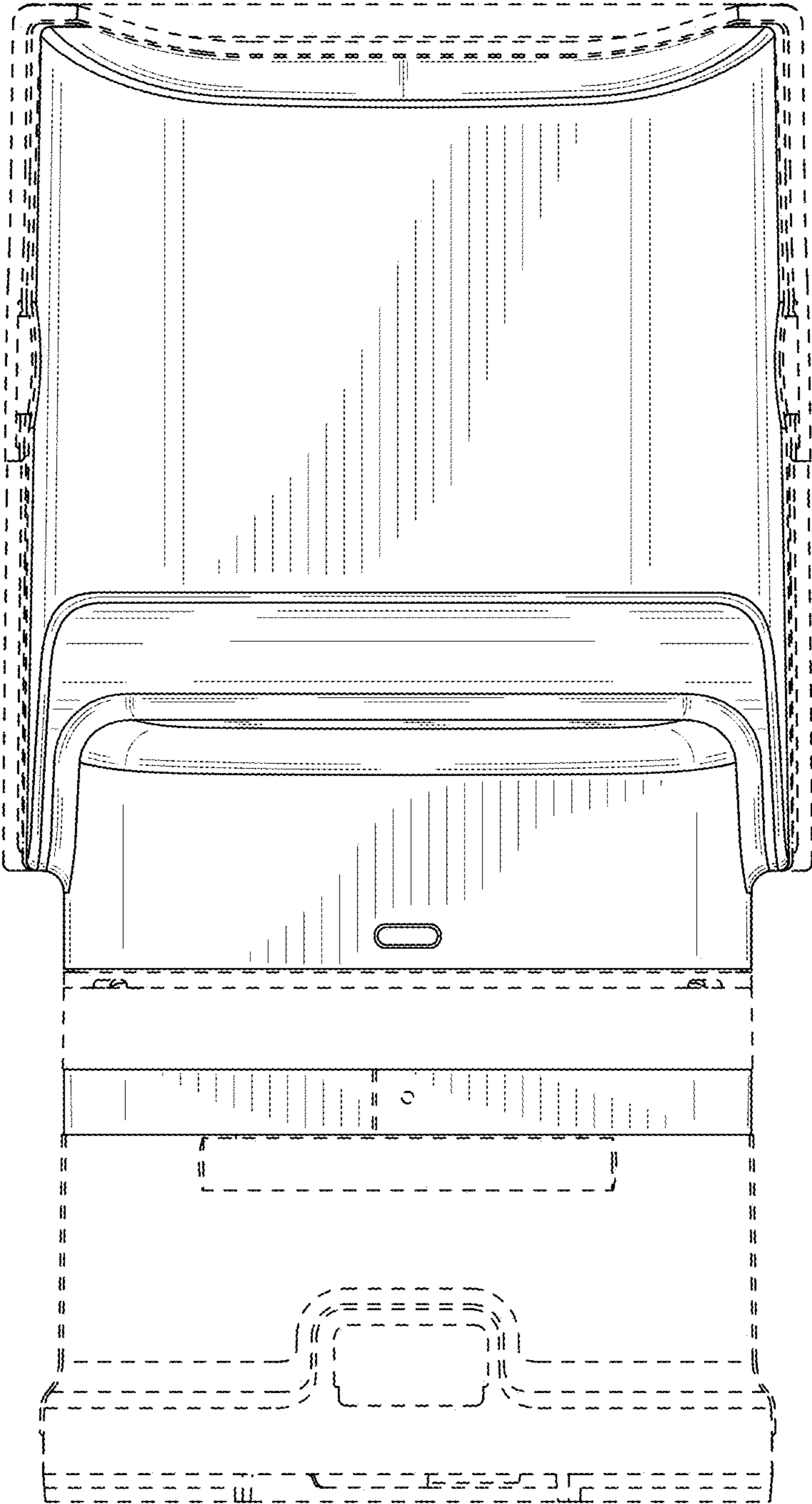


FIG. 4

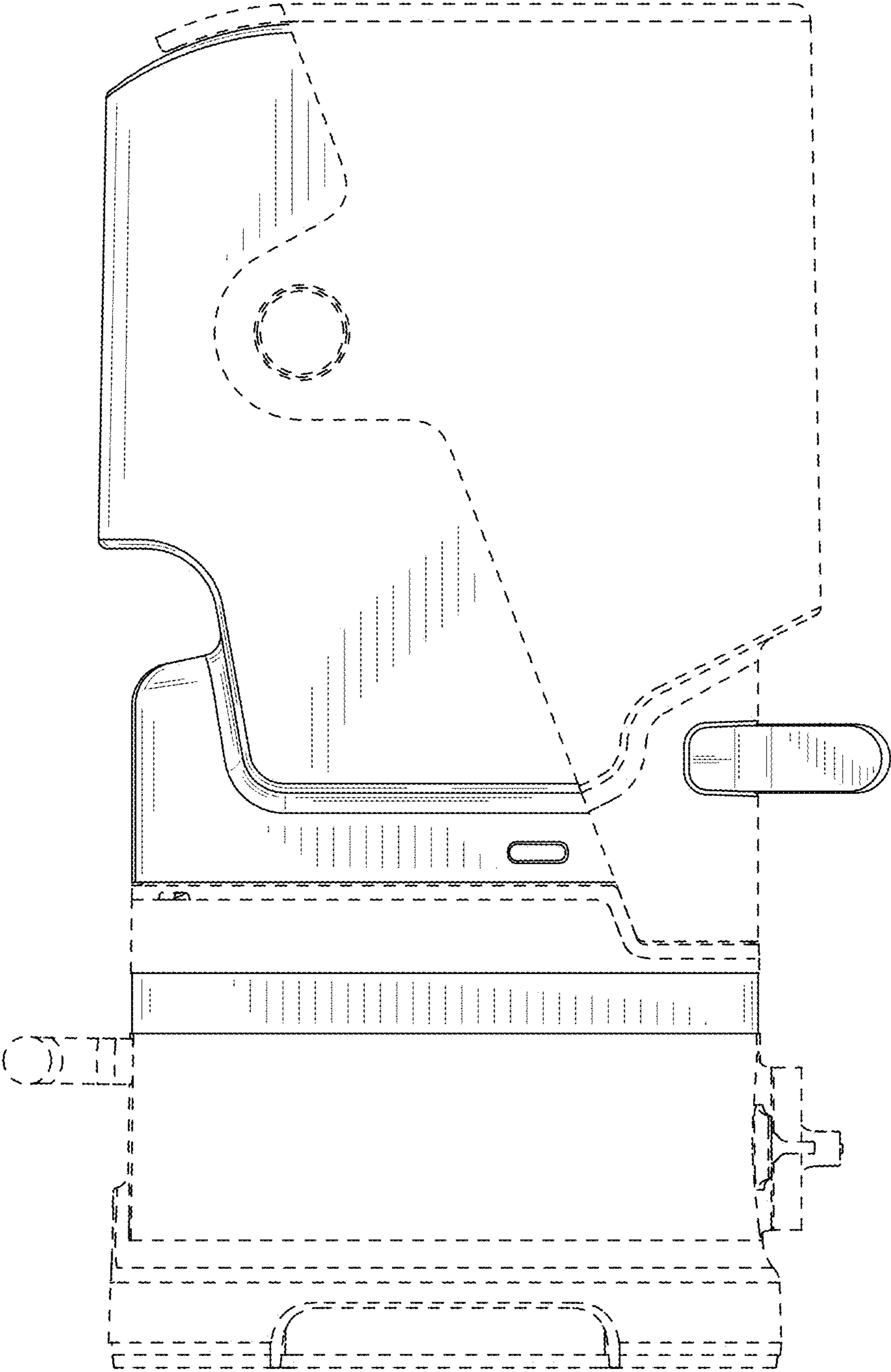


FIG. 5

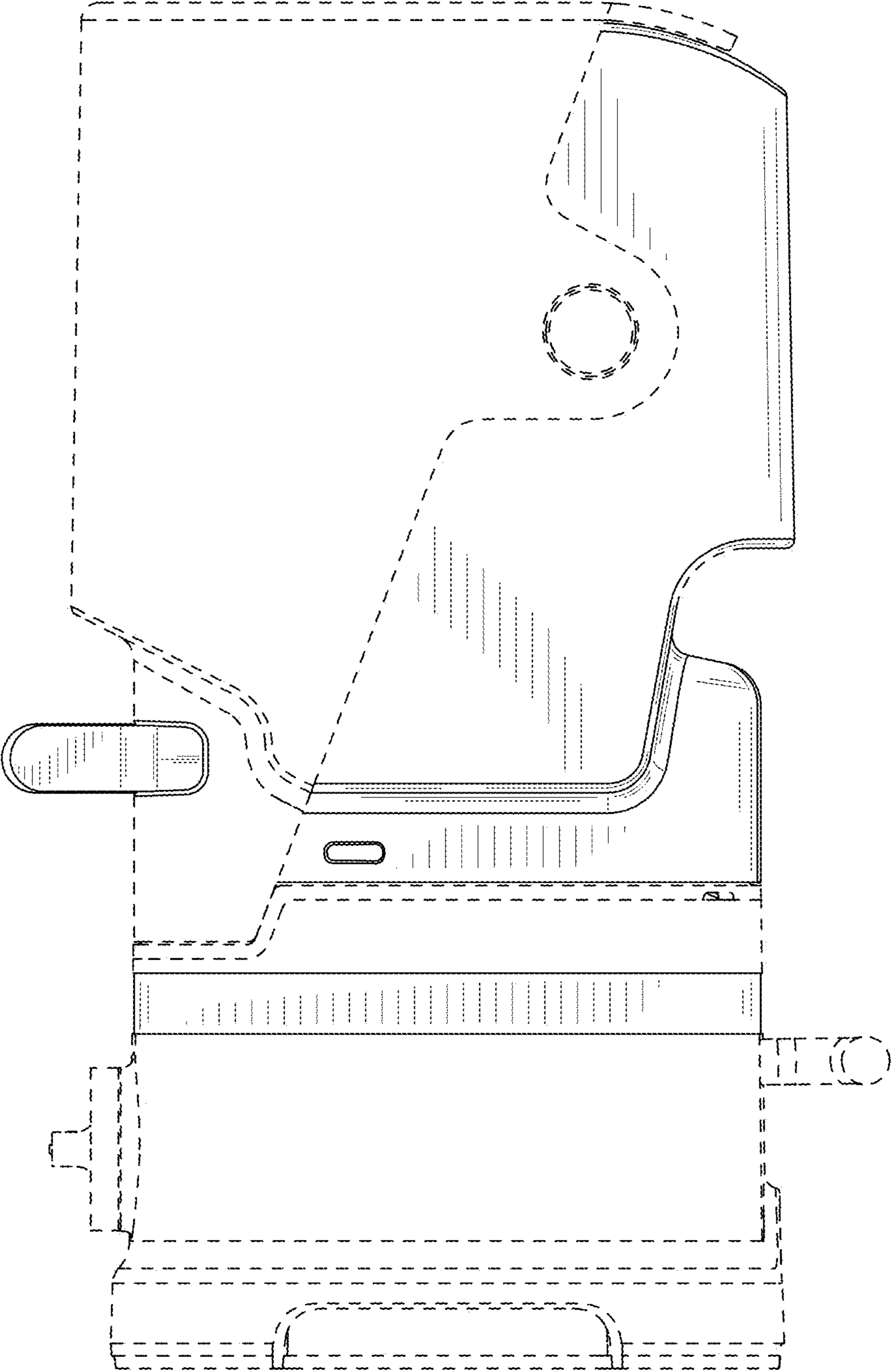


FIG. 6

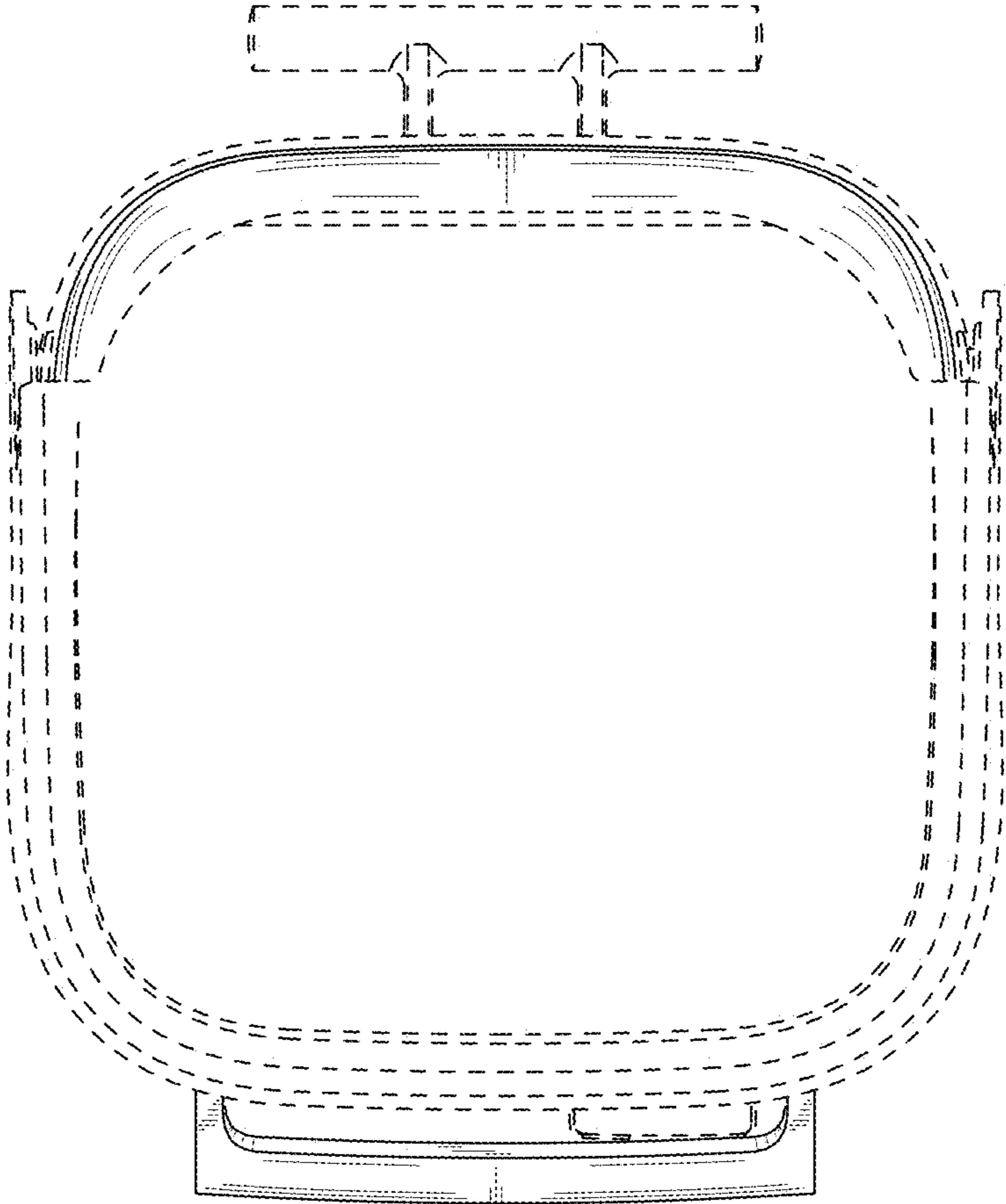


FIG. 7

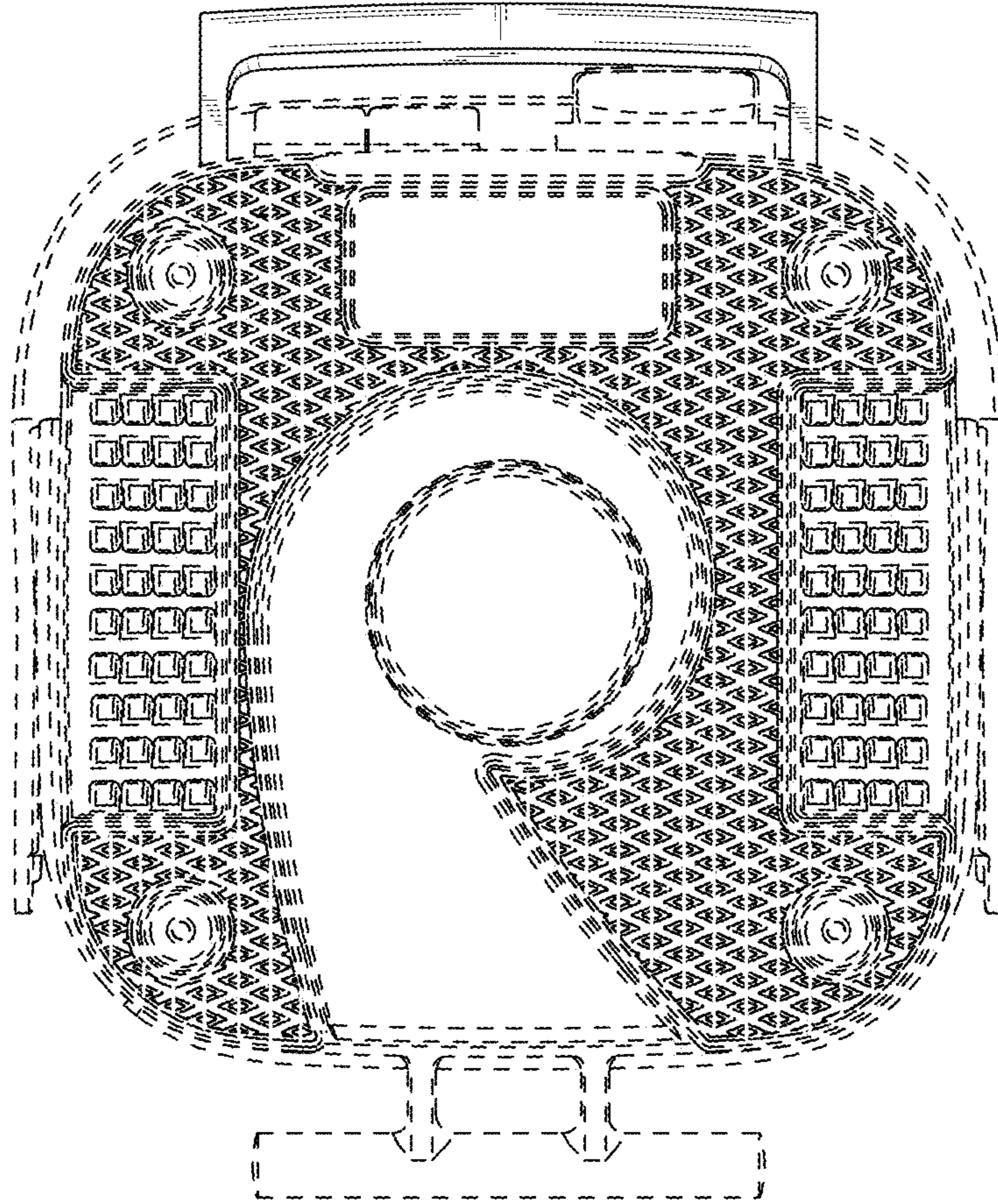


FIG. 8

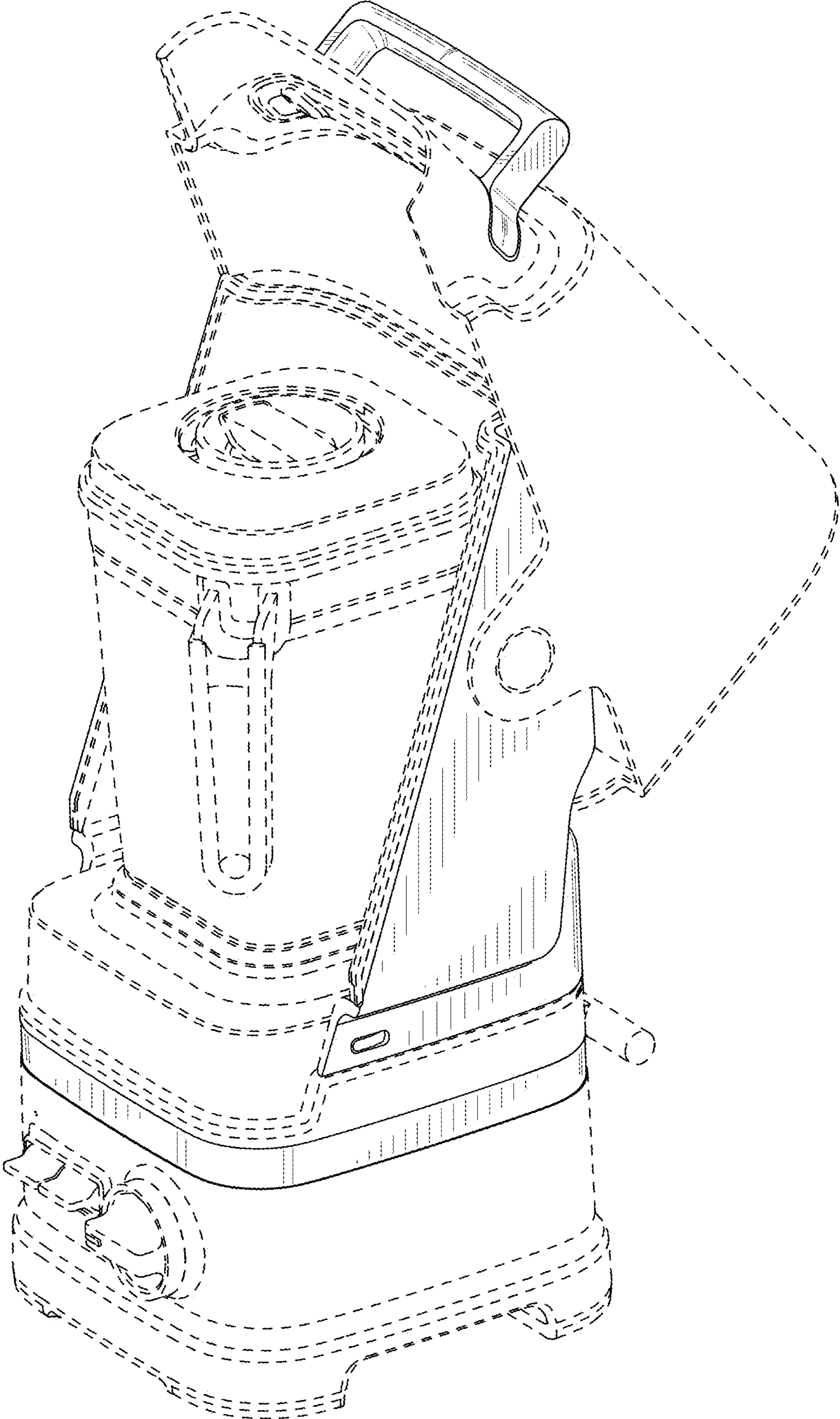


FIG. 9