



US00D937038S

(12) **United States Design Patent** (10) **Patent No.:** **US D937,038 S**
Sletten et al. (45) **Date of Patent:** **** Nov. 30, 2021**

- (54) **CAP FOR A BEVERAGE CONTAINER**
- (71) Applicant: **JDS INDUSTRIES, INC.**, Sioux Falls, SD (US)
- (72) Inventors: **Scott Sletten**, Sioux Falls, SD (US);
Nathan Sletten, Sioux Falls, SD (US)
- (73) Assignee: **JDS Industries, Inc.**, Sioux Falls, SD (US)
- (**) Term: **15 Years**
- (21) Appl. No.: **29/737,278**
- (22) Filed: **Jun. 8, 2020**
- (51) **LOC (13) Cl.** **09-07**
- (52) **U.S. Cl.**
USPC **D7/392.1; D9/443**
- (58) **Field of Classification Search**
USPC D9/439, 440, 442-449, 682, 685, 686,
D9/435, 450, 454; D6/515; D7/507,
D7/509-511, 523, 391, 392, 392.1, 396.2
CPC B65D 83/205; B65D 83/206; B65D 83/40;
B65D 2543/00046; A47G 19/2272
See application file for complete search history.

(56) **References Cited**

U.S. PATENT DOCUMENTS

- D704,986 S * 5/2014 Manies D7/392.1
- D799,320 S * 10/2017 Goodwin D7/392.1
- D810,500 S * 2/2018 Maple D7/392.1
- D830,772 S * 10/2018 Rosette D7/510
- D835,938 S * 12/2018 Zou D7/392.1
- D844,376 S * 4/2019 Rosette D7/392
- D857,445 S * 8/2019 Keung D7/392.1
- D886,515 S * 6/2020 Eyal D7/392.1
- D886,518 S * 6/2020 Li D7/392.1

- D887,775 S * 6/2020 Bo D7/392.1
- RE48,195 E * 9/2020 Marquard A45F 3/16
D7/510
- D911,770 S * 3/2021 Ludolph D7/392.1
- D921,424 S * 6/2021 Chen D7/392.1
- 2021/0070508 A1* 3/2021 McNamara B65D 47/20

* cited by examiner

Primary Examiner — Brett Miller

Assistant Examiner — Rani J Abdallah

(74) *Attorney, Agent, or Firm* — Jeffrey A. Proehl;
Woods, Fuller, Shultz & Smith, PC

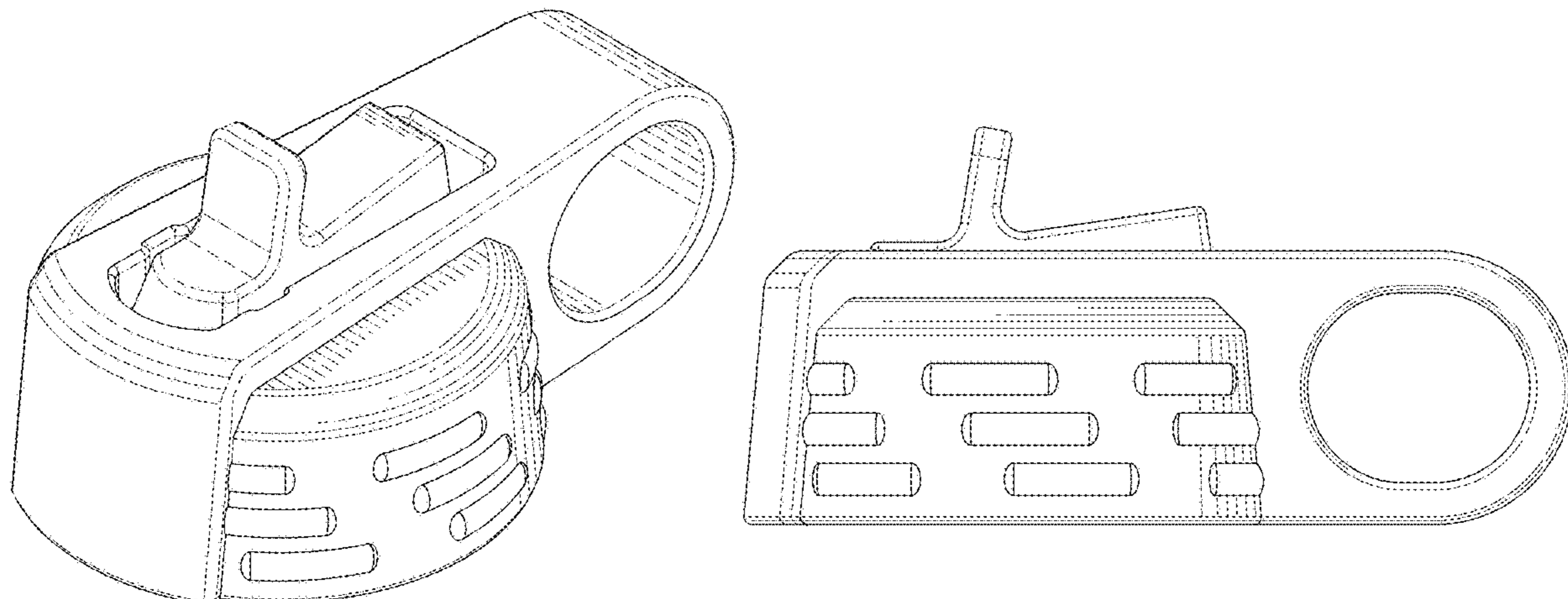
(57) **CLAIM**

The ornamental design for a cap for a beverage container, as shown and described.

DESCRIPTION

FIG. 1 is a perspective view of the cap for a beverage container of the present disclosure;
 FIG. 2 is a first side elevational view of the cap for a beverage container;
 FIG. 3 is a second side elevational view of the cap for a beverage container;
 FIG. 4 is a top plan view of the cap for a beverage container;
 FIG. 5 is a front elevational view of the cap for a beverage container;
 FIG. 6 is a rear elevational view of the cap for a beverage container;
 FIG. 7 is a bottom plan view of the cap for a beverage container; and,
 FIG. 8 is a side elevational view of the cap for a beverage container shown on a beverage container.
 The dot dot dash lines depict portions of the cap for a beverage container. The dash dash lines depict the boundaries of the claim. The broken lines form no part of the claimed design.

1 Claim, 3 Drawing Sheets



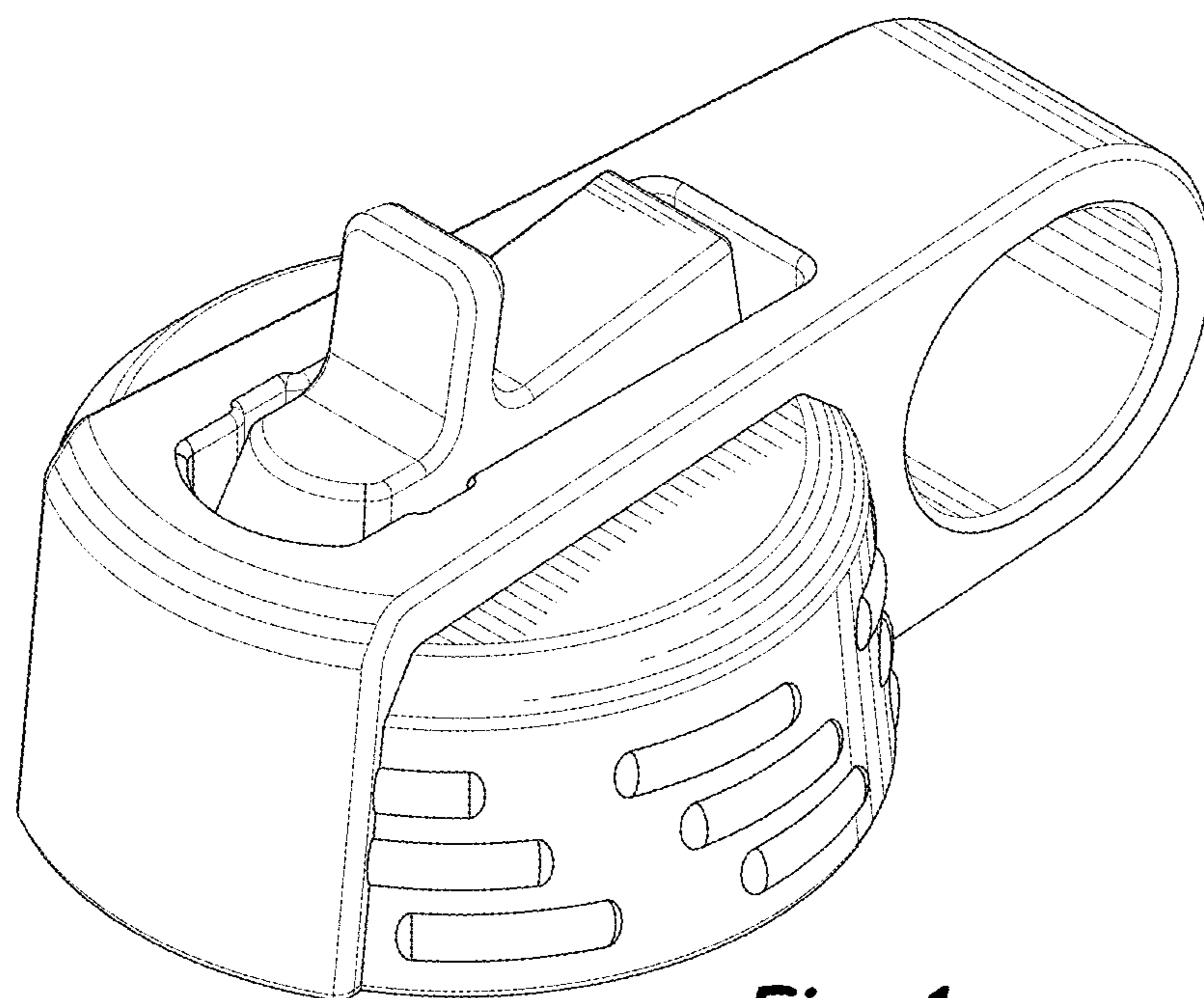


Fig. 1

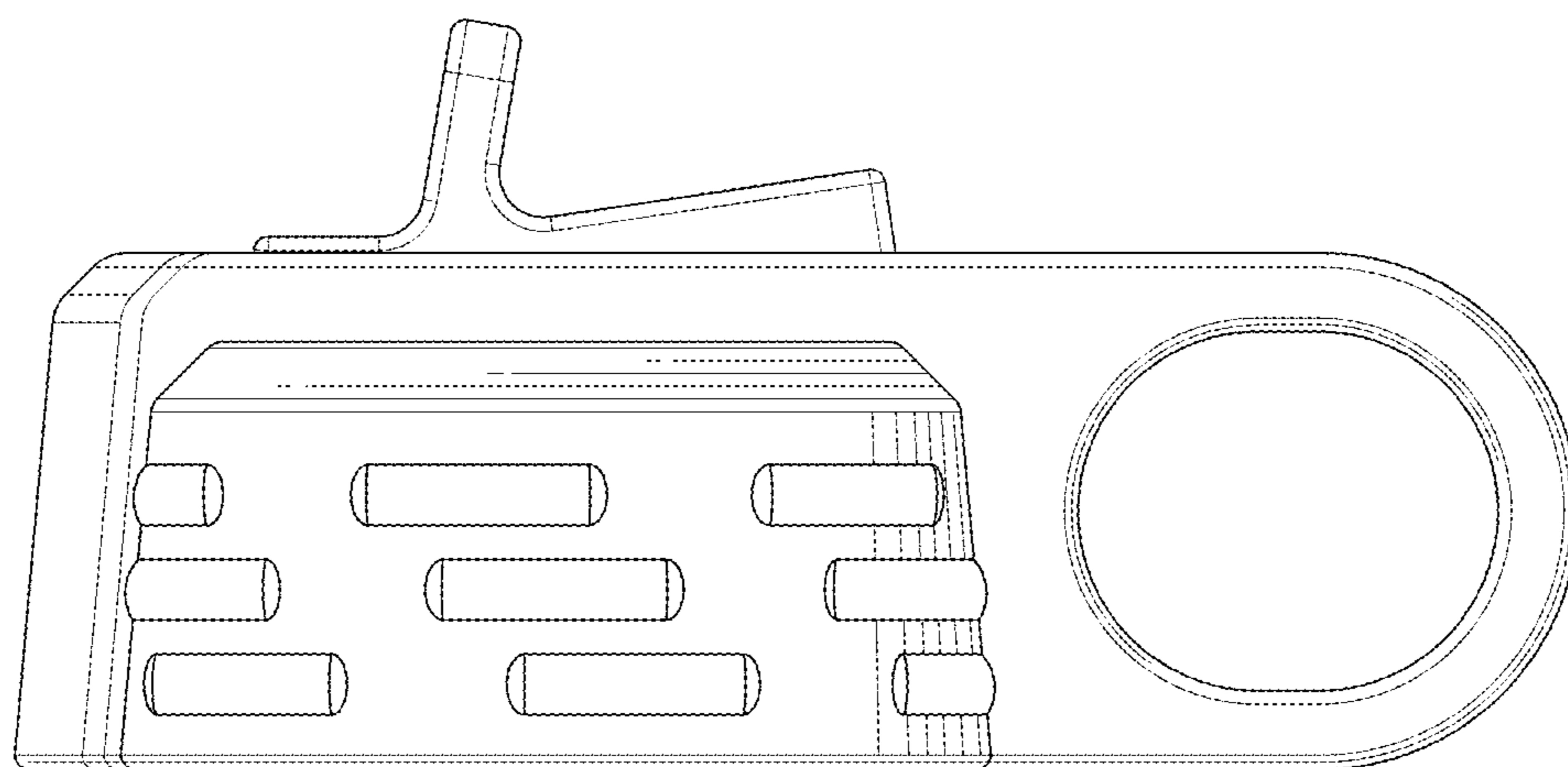


Fig. 2

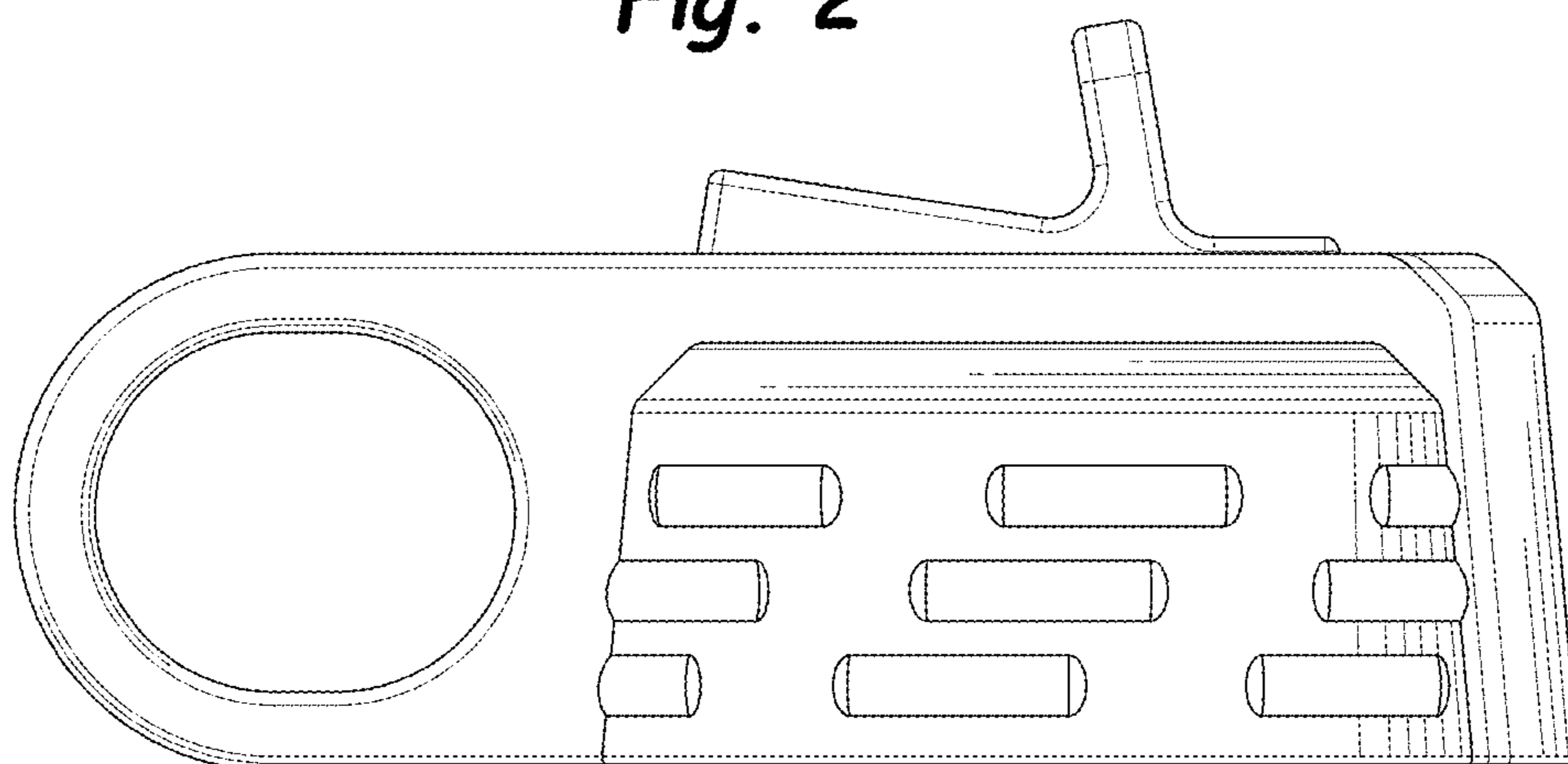


Fig. 3

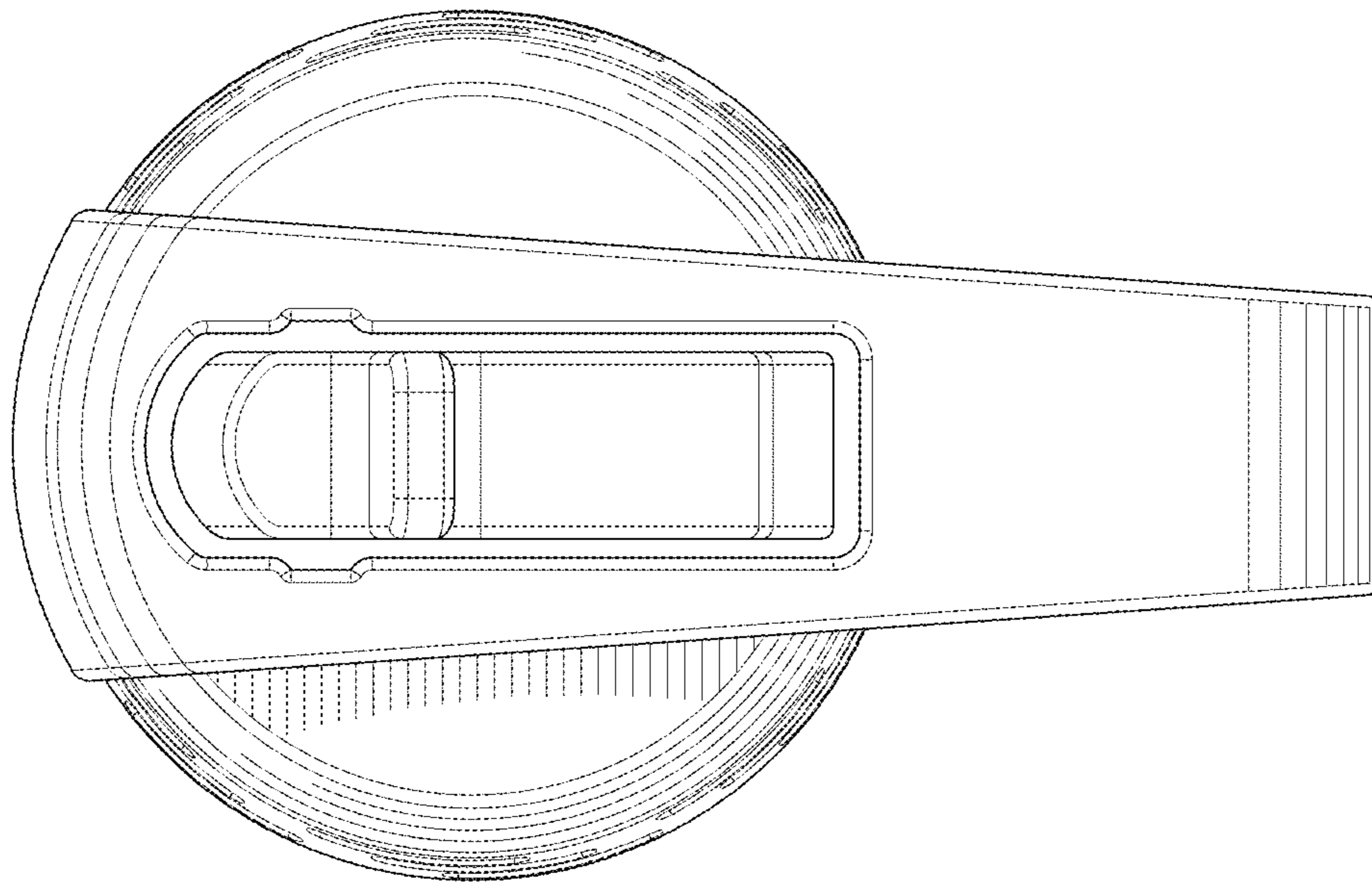


Fig. 4

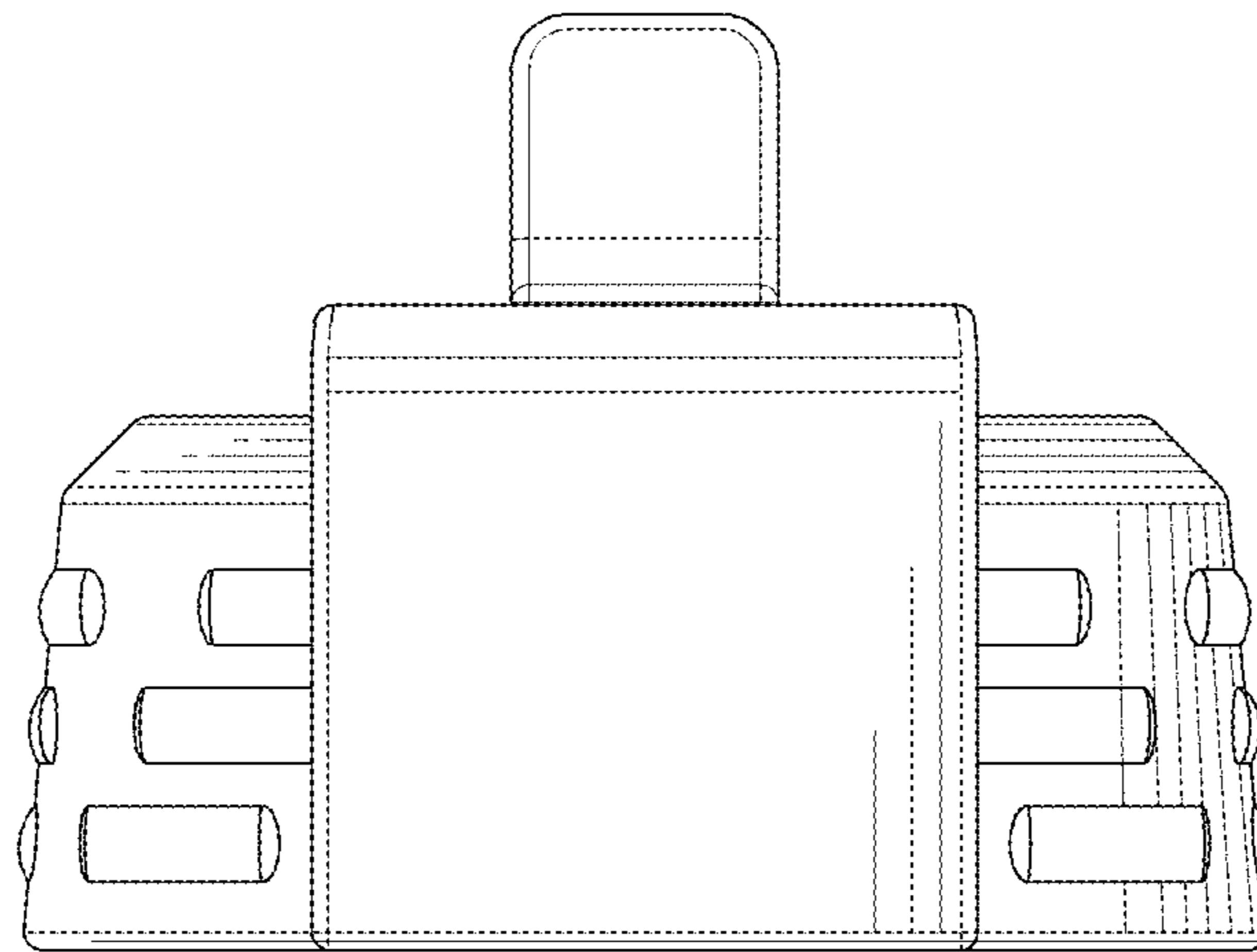


Fig. 5

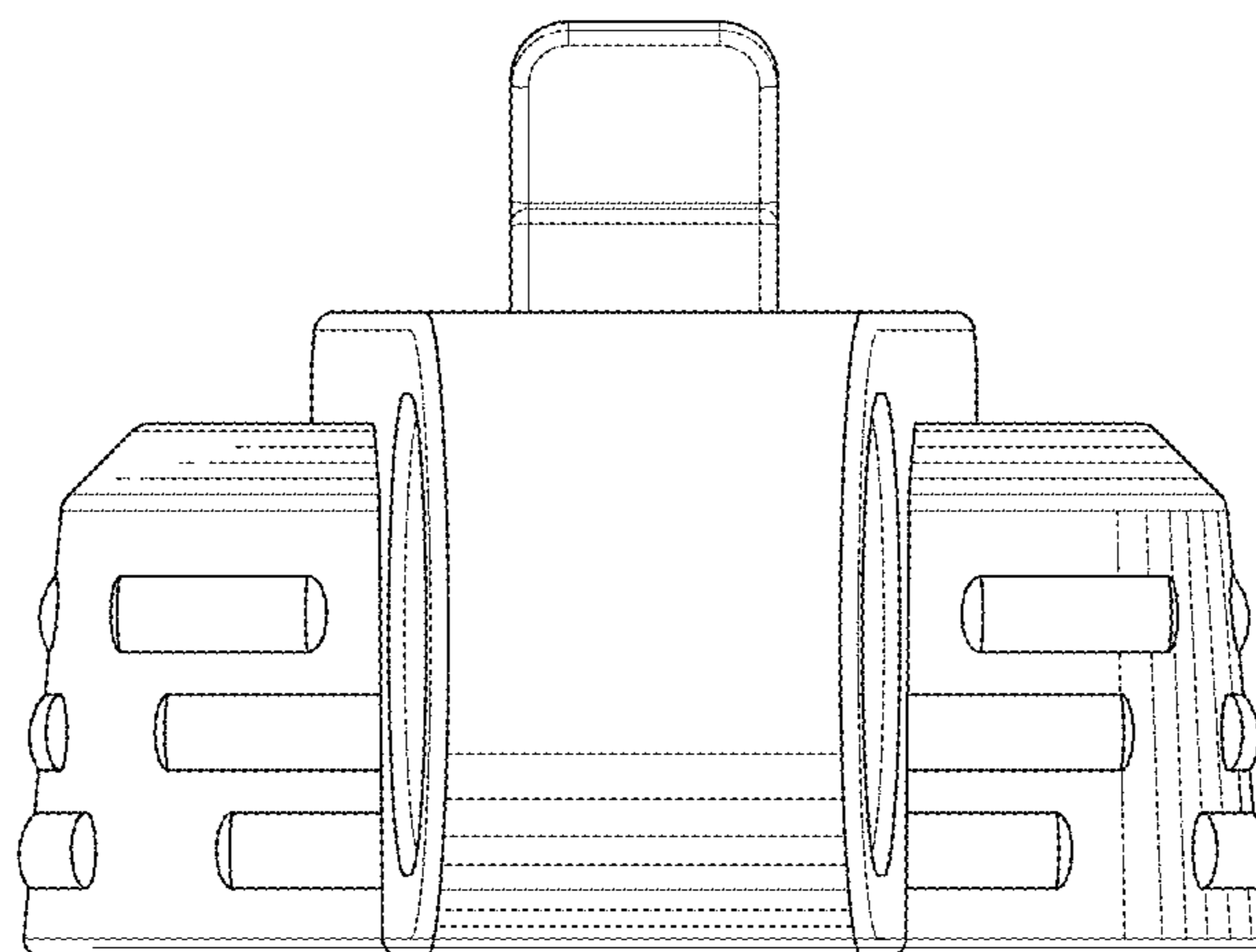


Fig. 6

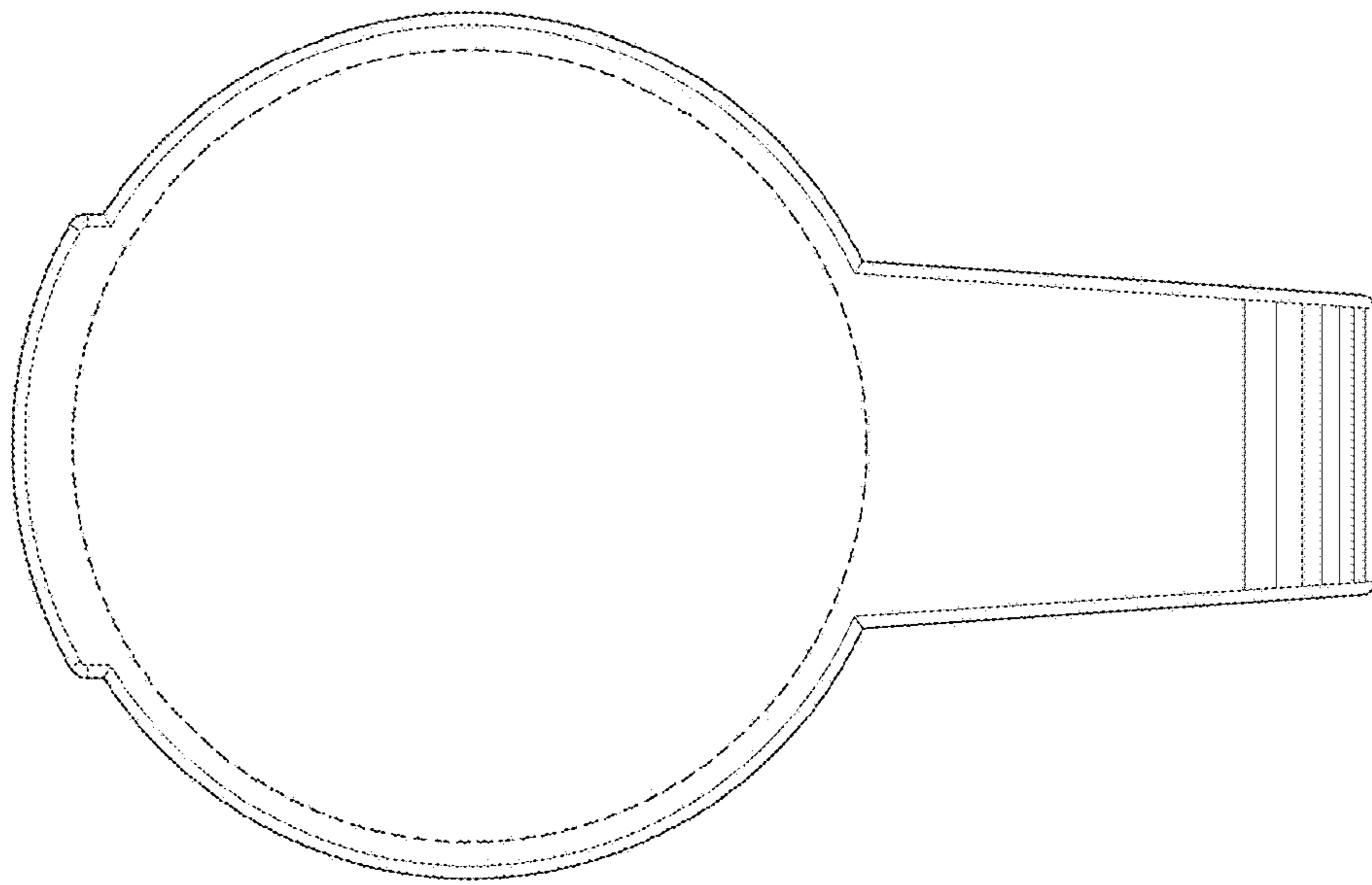


Fig. 7

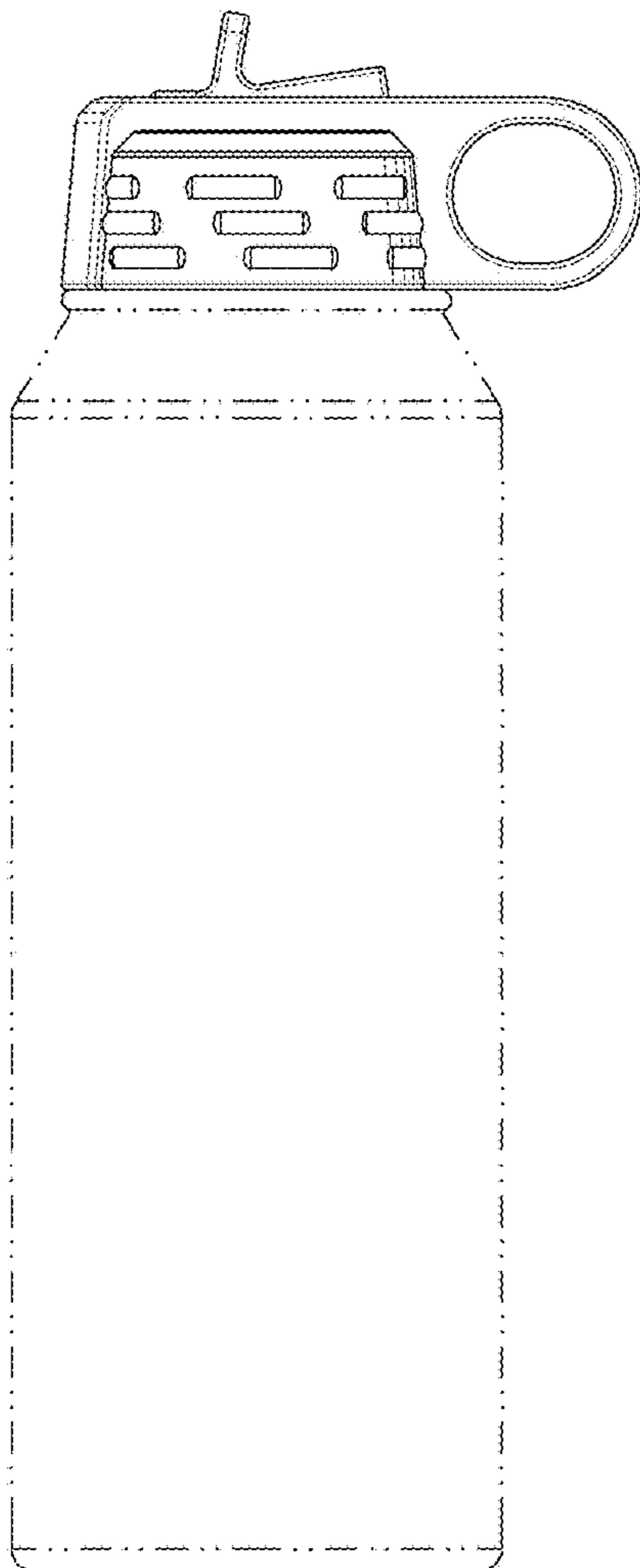


Fig. 8