



US00D937035S

(12) **United States Design Patent**
Steiner et al.

(10) **Patent No.:** **US D937,035 S**

(45) **Date of Patent:** **** Nov. 30, 2021**

(54) **FOOD PROCESSOR**

- (71) Applicant: **Hamilton Beach Brands, Inc.**, Glen Allen, VA (US)
- (72) Inventors: **Mark C Steiner**, Midlothian, VA (US); **Drew Carlson**, Midlothian, VA (US)
- (73) Assignee: **Hamilton Beach Brands, Inc.**, Glen Allen, VA (US)

(**) Term: **15 Years**

(21) Appl. No.: **29/746,215**

(22) Filed: **Aug. 12, 2020**

(51) **LOC (13) Cl.** **31-00**

(52) **U.S. Cl.**
USPC **D7/384; D7/376; D7/378; D7/412**

(58) **Field of Classification Search**
USPC D7/372, 376-386, 412-413, 602, 629, D7/665-666, 669, 679, 693-694
CPC A21C 1/02; A21C 1/04; A23N 1/00; A23N 1/02; A47J 27/04; A47J 43/04; A47J 43/25; A47J 43/27; A47J 43/042; A47J 43/044; A47J 43/046; A47J 43/075; A47J 43/0722; A47J 43/0727; A47J 45/08; B01F 3/00; B01F 3/0807; B01F 3/0853; B01F 13/0059; B01F 13/0064; B02C 1/08; B02C 2/04; B02C 4/42; B02C 4/142; B02C 4/143; B02C 4/423; B02C 13/1835; B28C 5/10; B28C 5/12; B28C 5/14; B28C 5/16

See application file for complete search history.

(56) **References Cited**

U.S. PATENT DOCUMENTS

- D625,144 S * 10/2010 Moore D7/384
- D796,896 S * 9/2017 Blaise D7/384

- D799,891 S * 10/2017 Lecoutre D7/378
- 9,924,825 B2 * 3/2018 Zakowski A47J 27/04
- D819,394 S * 6/2018 Han D7/384
- D881,637 S * 4/2020 Ye D7/384
- D886,513 S * 6/2020 Steiner D7/386
- D909,123 S * 2/2021 Bourgeois D7/384
- D915,819 S * 4/2021 Bourgeois D7/384
- D920,735 S * 6/2021 Carlson D7/386

OTHER PUBLICATIONS

Cuisinart Elite Collection Food Processor. Date First Available on Amazon.com Apr. 17, 2015. <https://www.amazon.com/dp/B00WA4UI42/ref> (Year: 2015).*

* cited by examiner

Primary Examiner — Ricky Pham

(74) *Attorney, Agent, or Firm* — Alexander D Raring

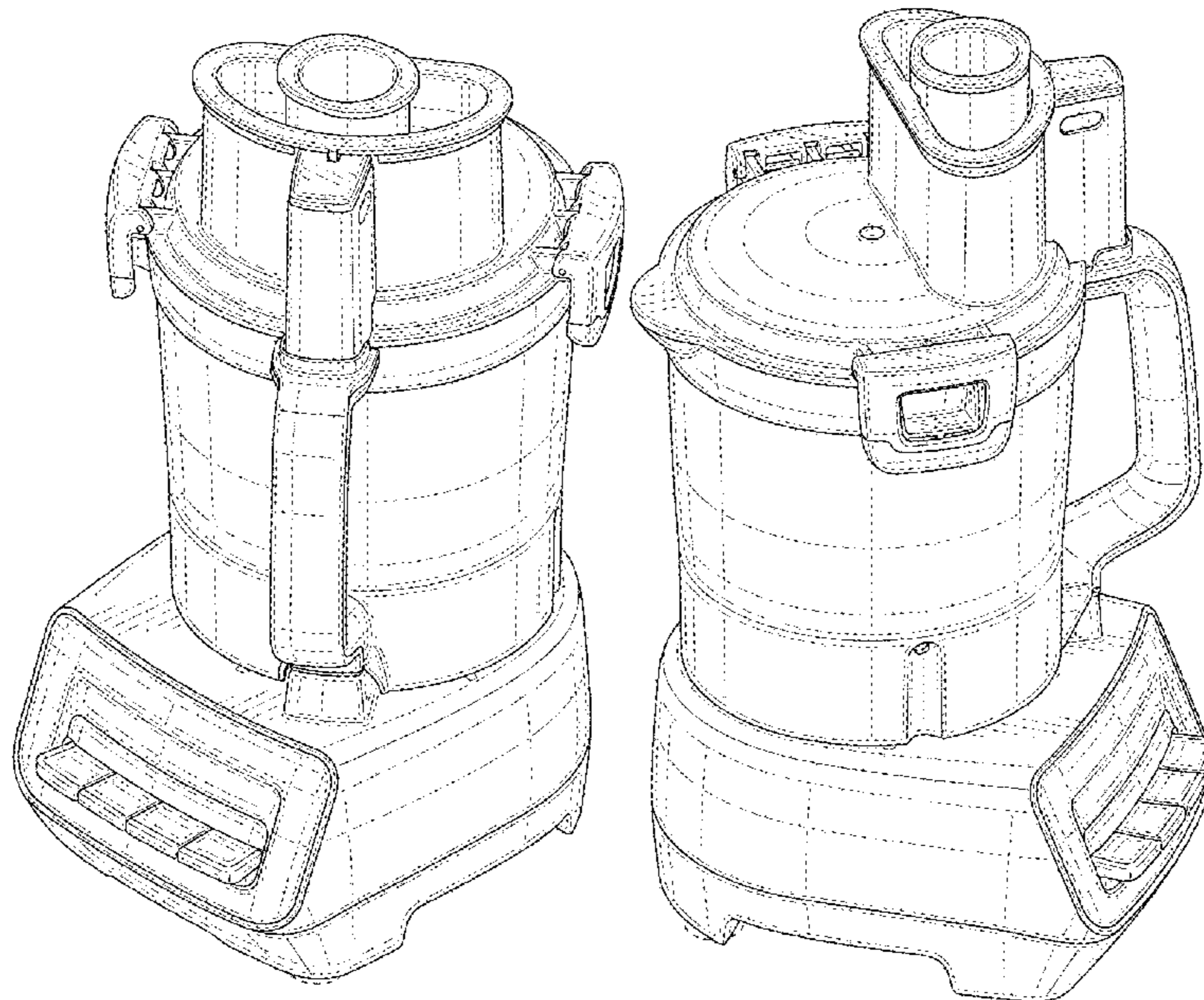
(57) **CLAIM**

The ornamental design for a food processor, as shown and described.

DESCRIPTION

FIG. 1 is a top, right and front perspective view of a food processor showing the new design;
 FIG. 2 top, left and front perspective view thereof;
 FIG. 3 is a front view thereof;
 FIG. 4 is a rear view thereof;
 FIG. 5 is a right side view thereof;
 FIG. 6 is a left side view thereof;
 FIG. 7 is a top view thereof; and,
 FIG. 8 is a bottom view thereof.
 Broken lines illustrate environment structure. The broken lines in the drawings are included for illustrative purposes only and form no part of the claimed design.

1 Claim, 8 Drawing Sheets



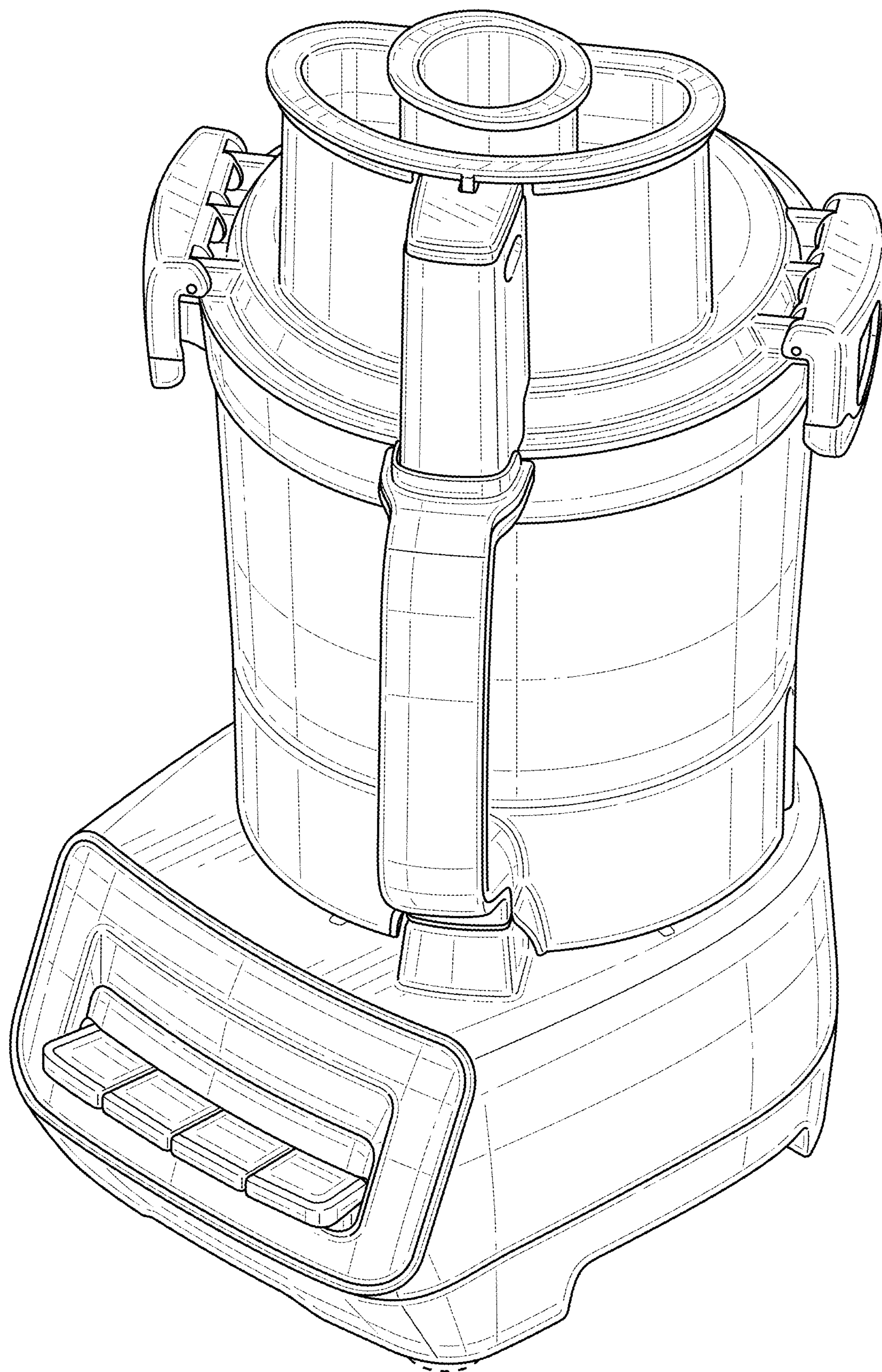


FIG. 1

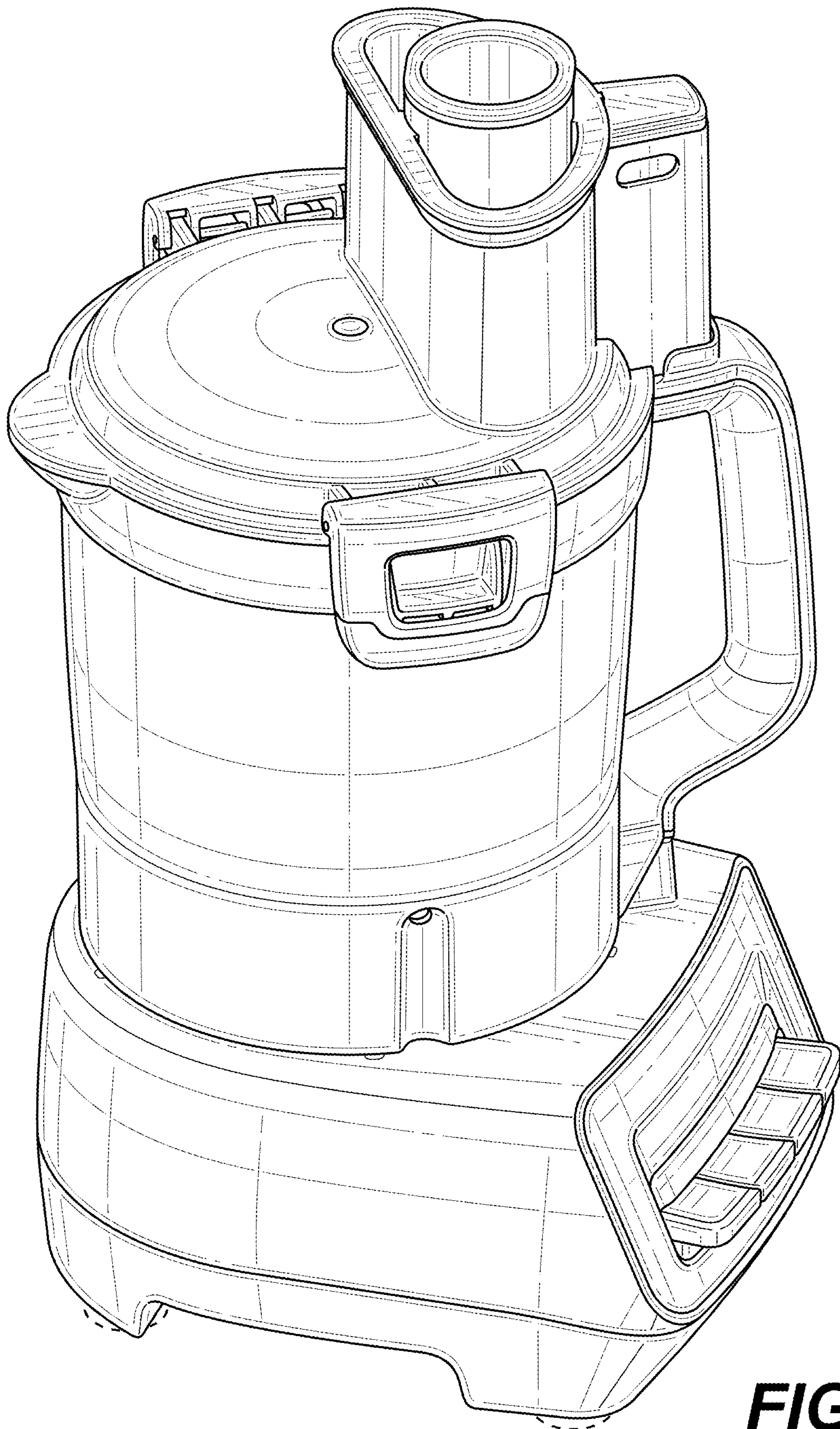


FIG. 2

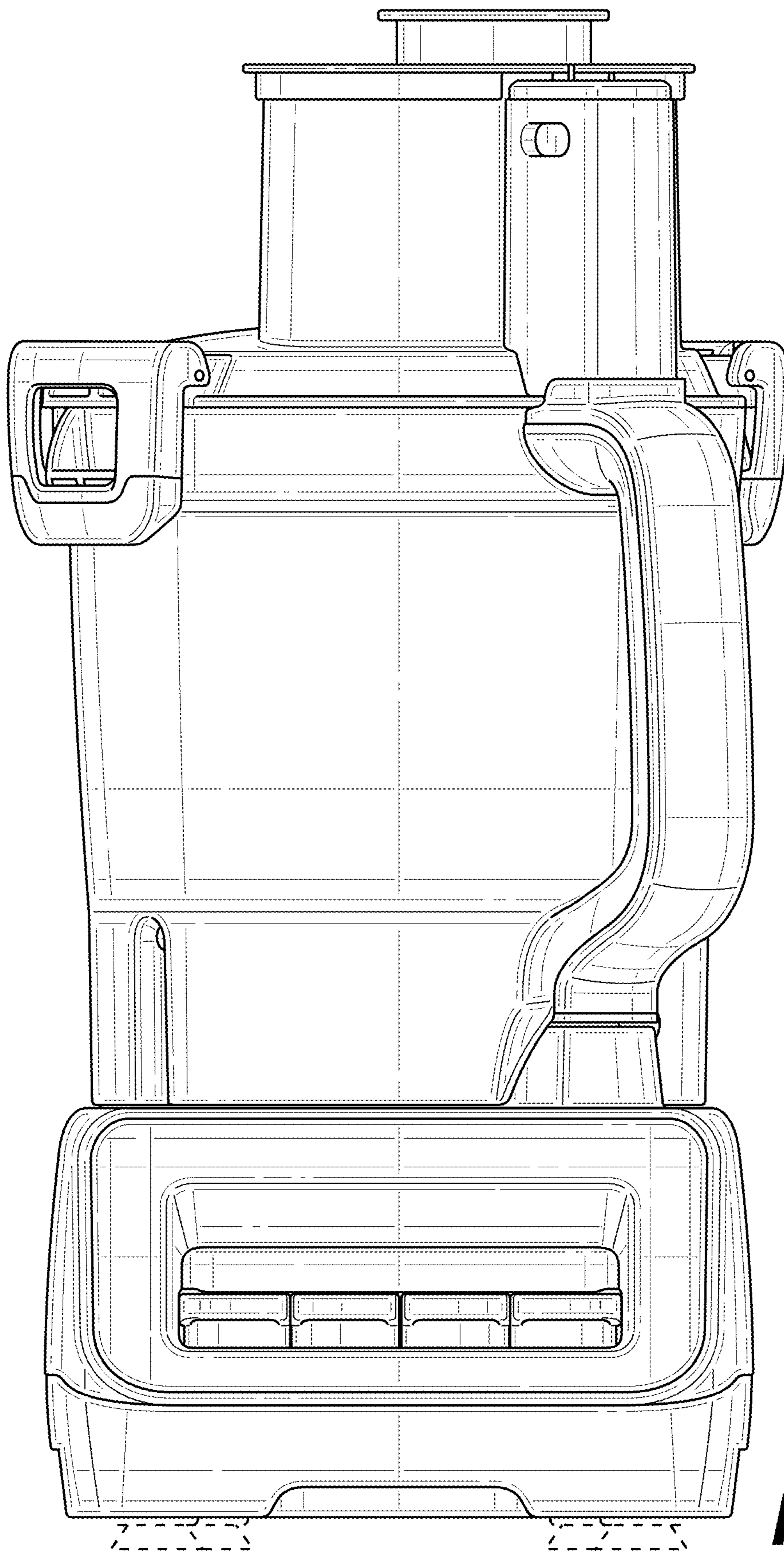


FIG. 3

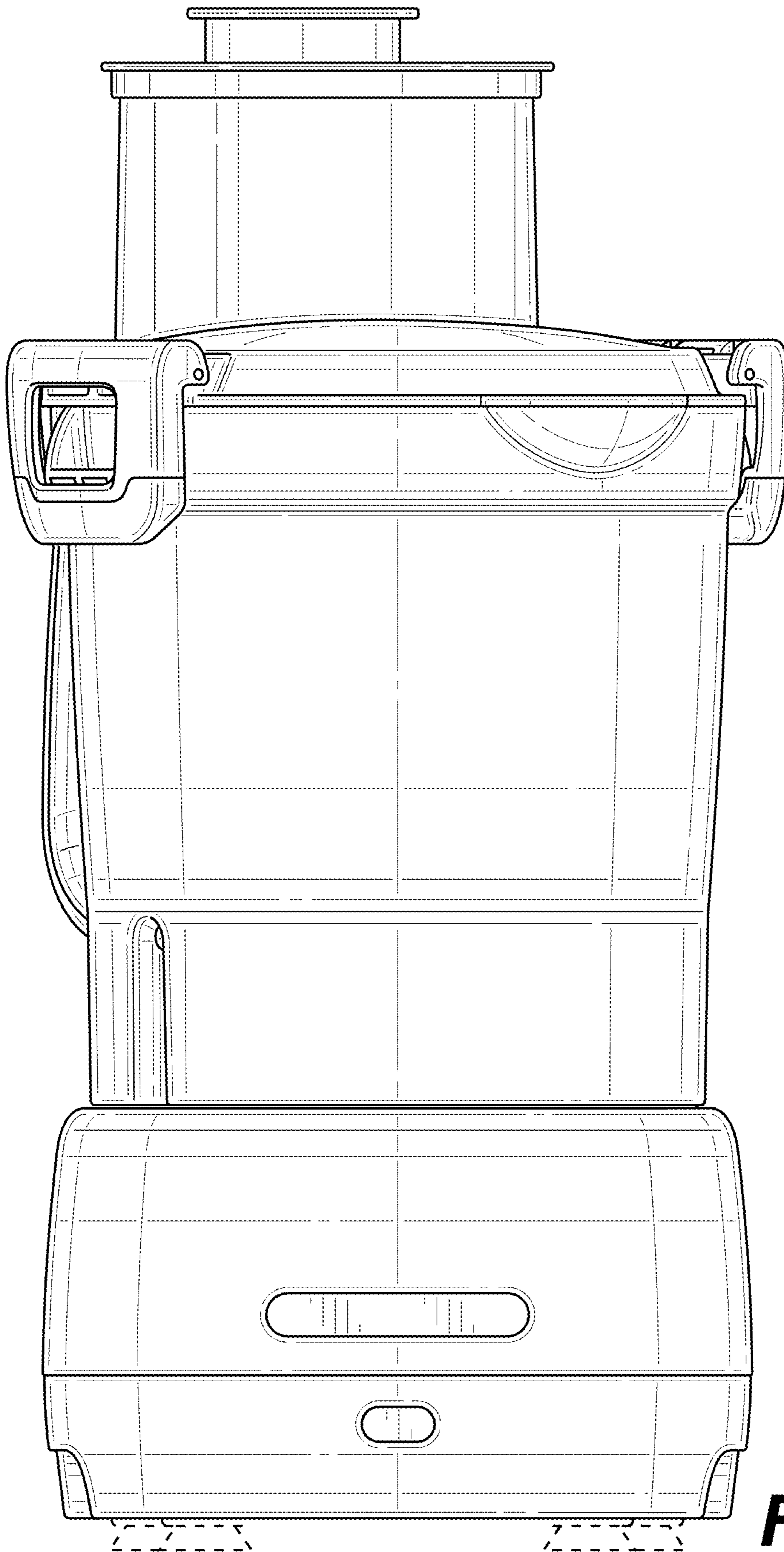


FIG. 4

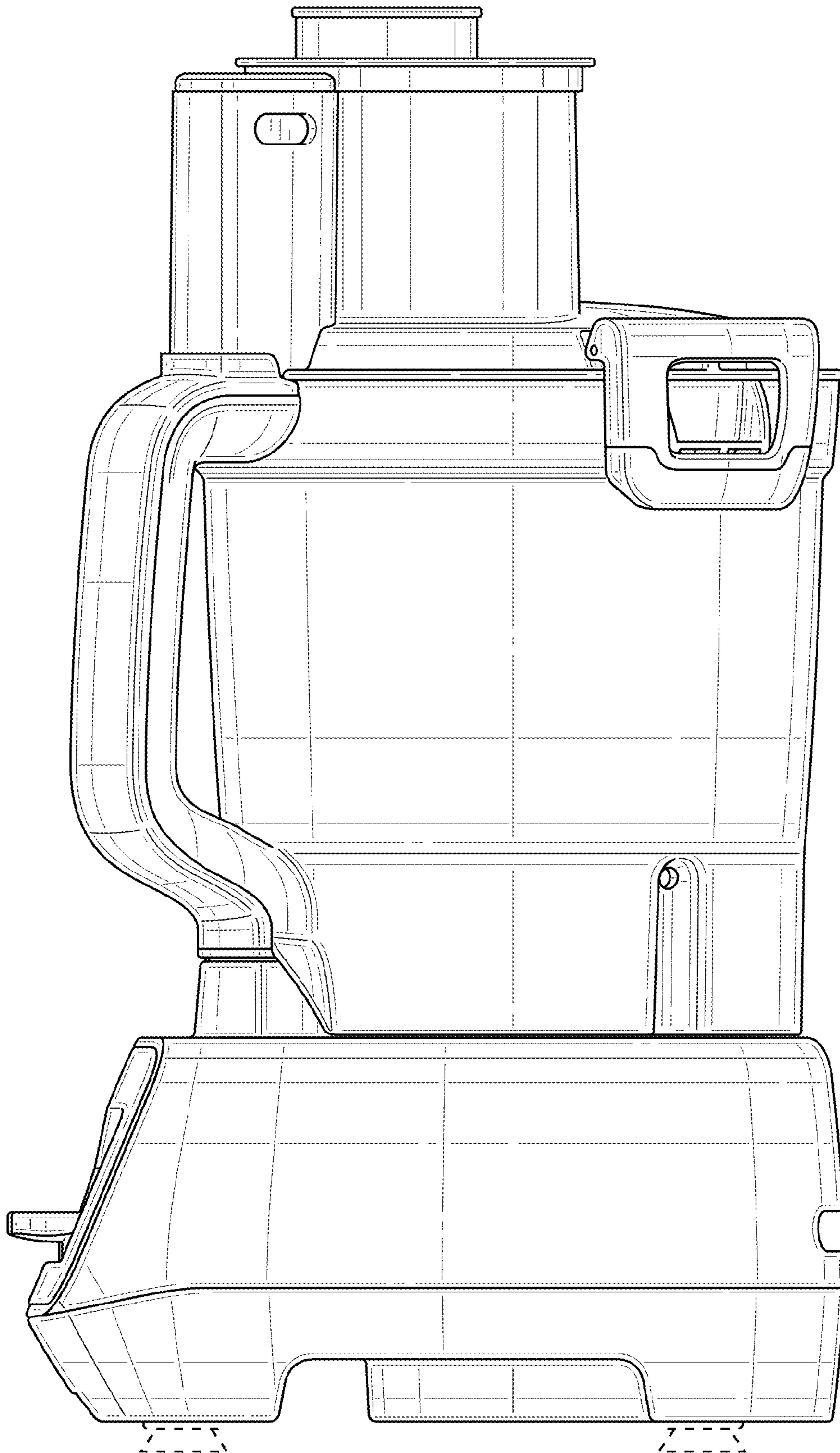


FIG. 5

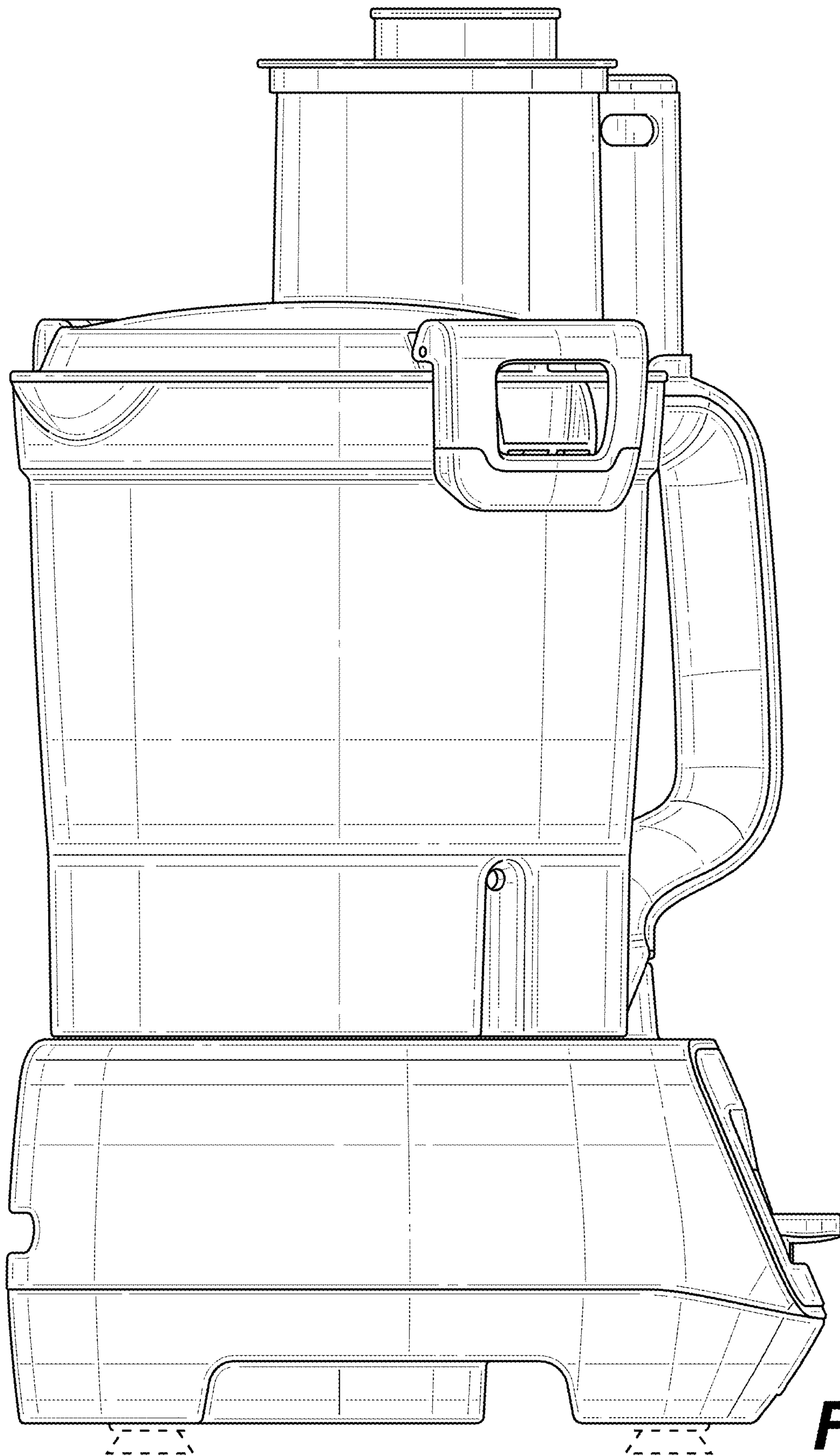


FIG. 6

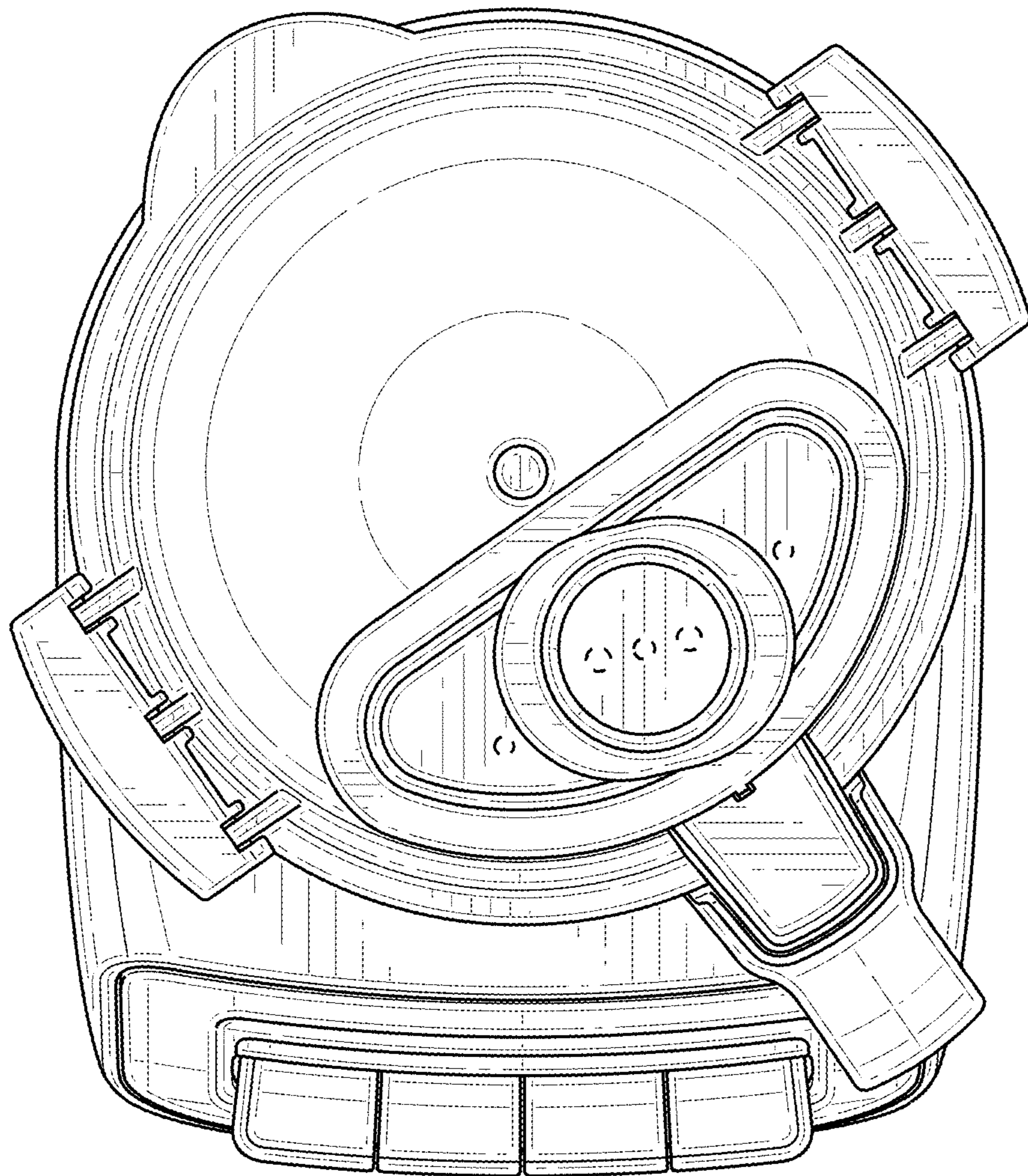


FIG. 7

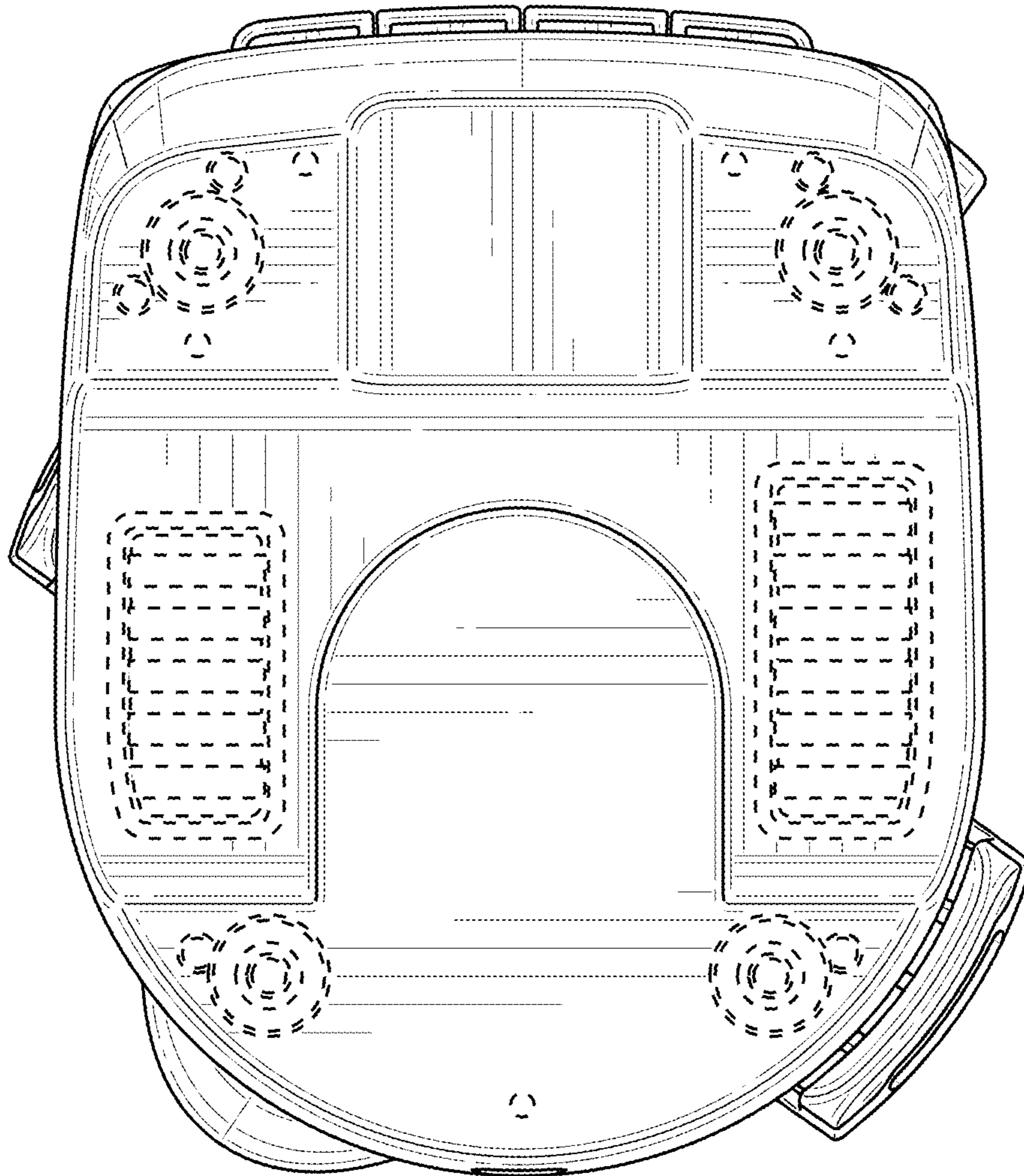


FIG. 8