



US00D937034S

(12) **United States Design Patent** (10) **Patent No.:** **US D937,034 S**
Grienay et al. (45) **Date of Patent:** **** Nov. 30, 2021**

(54) **INDUCTION HUB**

(56) **References Cited**

(71) Applicant: **SEB**, Selongey (FR)

U.S. PATENT DOCUMENTS

(72) Inventors: **Arnaud Grienay**, Lyons (FR); **Jérémy Cornu**, Lyons (FR)

D483,345 S *	12/2003	Murakami	D14/168
D540,775 S *	4/2007	Zhang	D14/168
D597,211 S *	7/2009	Ewing	D24/187
D641,586 S *	7/2011	Martin	D7/361
D684,806 S *	6/2013	Nakatani	D7/354
D684,807 S *	6/2013	Nakatani	D7/354
D698,594 S *	2/2014	Ishikawa	D7/354
D752,235 S *	3/2016	Levi	D24/200
D765,460 S *	9/2016	Akiyama	D7/354
D836,380 S *	12/2018	Choi	D7/354
D844,368 S *	4/2019	Choi	D7/354
D862,973 S *	10/2019	Miyawaki	D7/354

(73) Assignee: **SEB**, Selongey (FR)

(**) Term: **15 Years**

(21) Appl. No.: **29/722,127**

(22) Filed: **Jan. 27, 2020**

* cited by examiner

(30) **Foreign Application Priority Data**

Jul. 29, 2019	(EM)	006652129-0001
Jul. 29, 2019	(EM)	006652129-0002
Jul. 29, 2019	(EM)	006652129-0003
Jul. 29, 2019	(EM)	006652129-0004
Jul. 29, 2019	(EM)	006652129-0005

Primary Examiner — Ricky Pham

(74) *Attorney, Agent, or Firm* — Loeb & Loeb LLP

(51) **LOC (13) Cl.** **07-02**

(57) **CLAIM**

The ornamental design for an induction hub, as shown and described.

(52) **U.S. Cl.**

USPC **D7/362**; D7/354

(58) **Field of Classification Search**

USPC D7/323, 354–364; D14/168; D24/187, D24/200

CPC .. A47J 27/00; A47J 27/04; A47J 27/05; A47J 27/08; A47J 27/09; A47J 27/092; A47J 36/025; A47J 36/06; A47J 36/08; A47J 36/10; A47J 36/12; A47J 37/12; A47J 37/1204; A47J 37/1209; H05B 6/02; H05B 6/06; H05B 6/12

DESCRIPTION

FIG. 1 is a perspective view of an induction hub showing our new design;

FIG. 2 is a front elevational view thereof;

FIG. 3 is a back elevational view thereof;

FIG. 4 is a right side elevational view thereof;

FIG. 5 is a left side elevational view thereof;

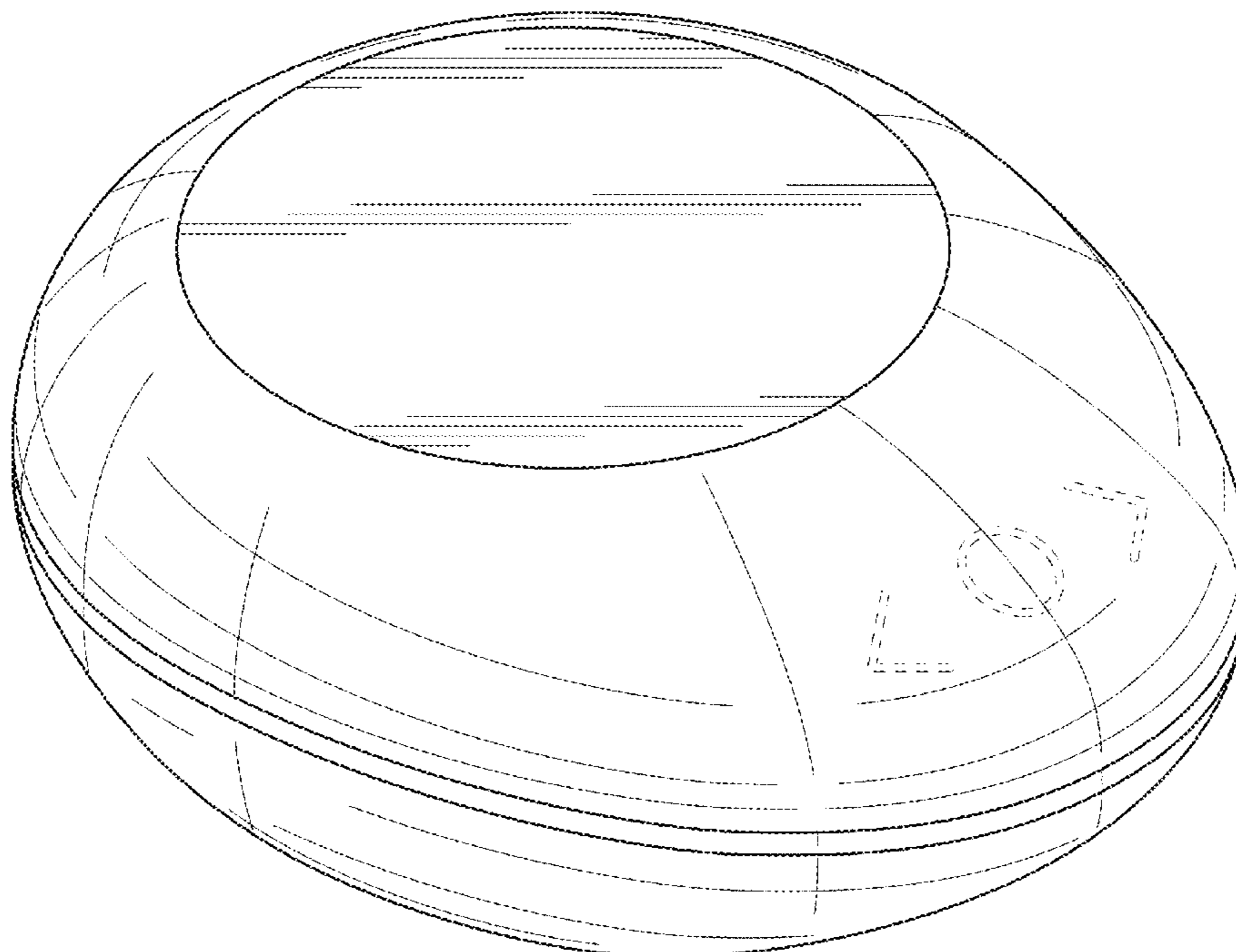
FIG. 6 is a top view thereof; and,

FIG. 7 is a bottom view thereof.

The broken lines appearing in the figures are for the purpose of illustrating portions of the induction hub that form no part of the claimed design.

See application file for complete search history.

1 Claim, 7 Drawing Sheets



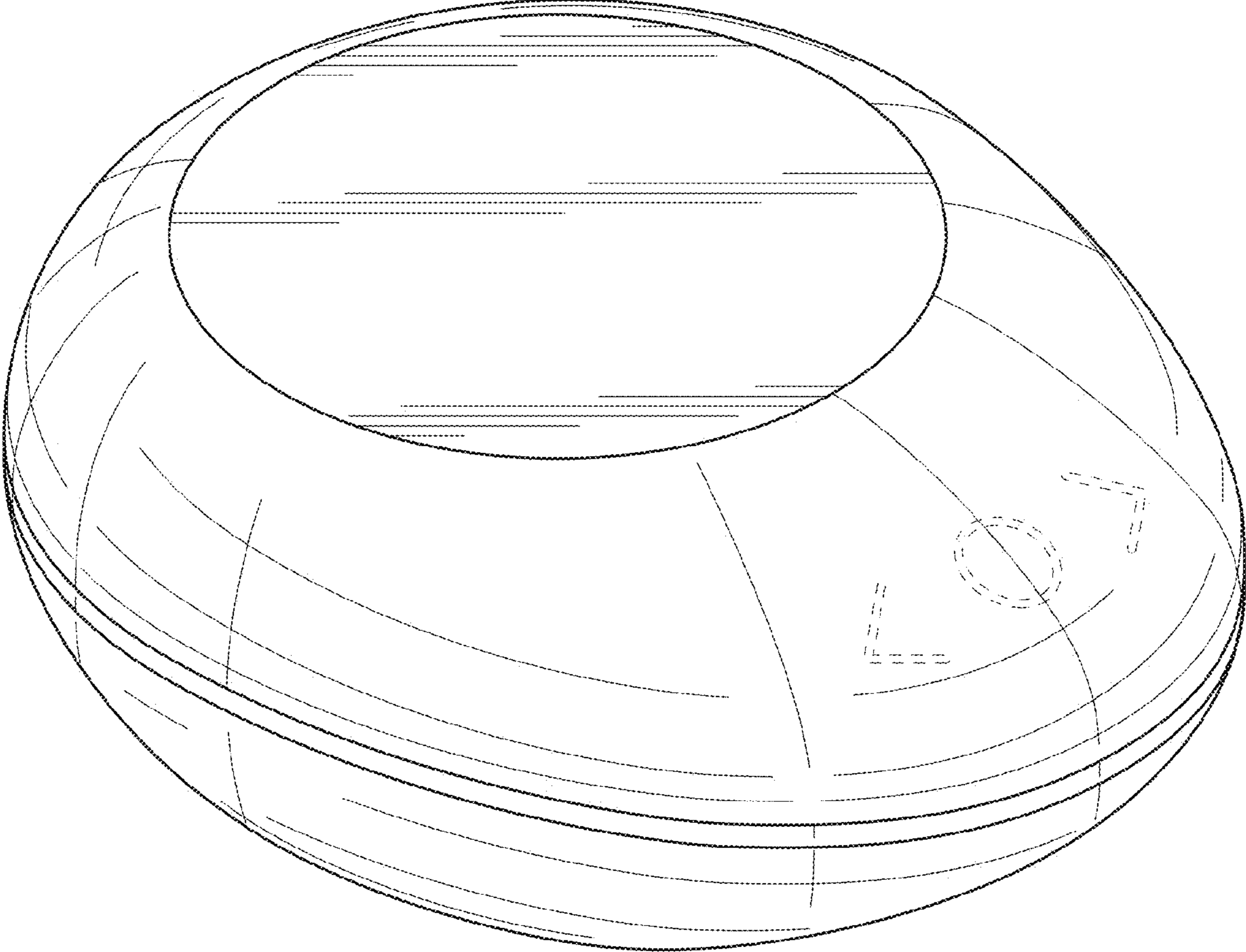


FIG. 1

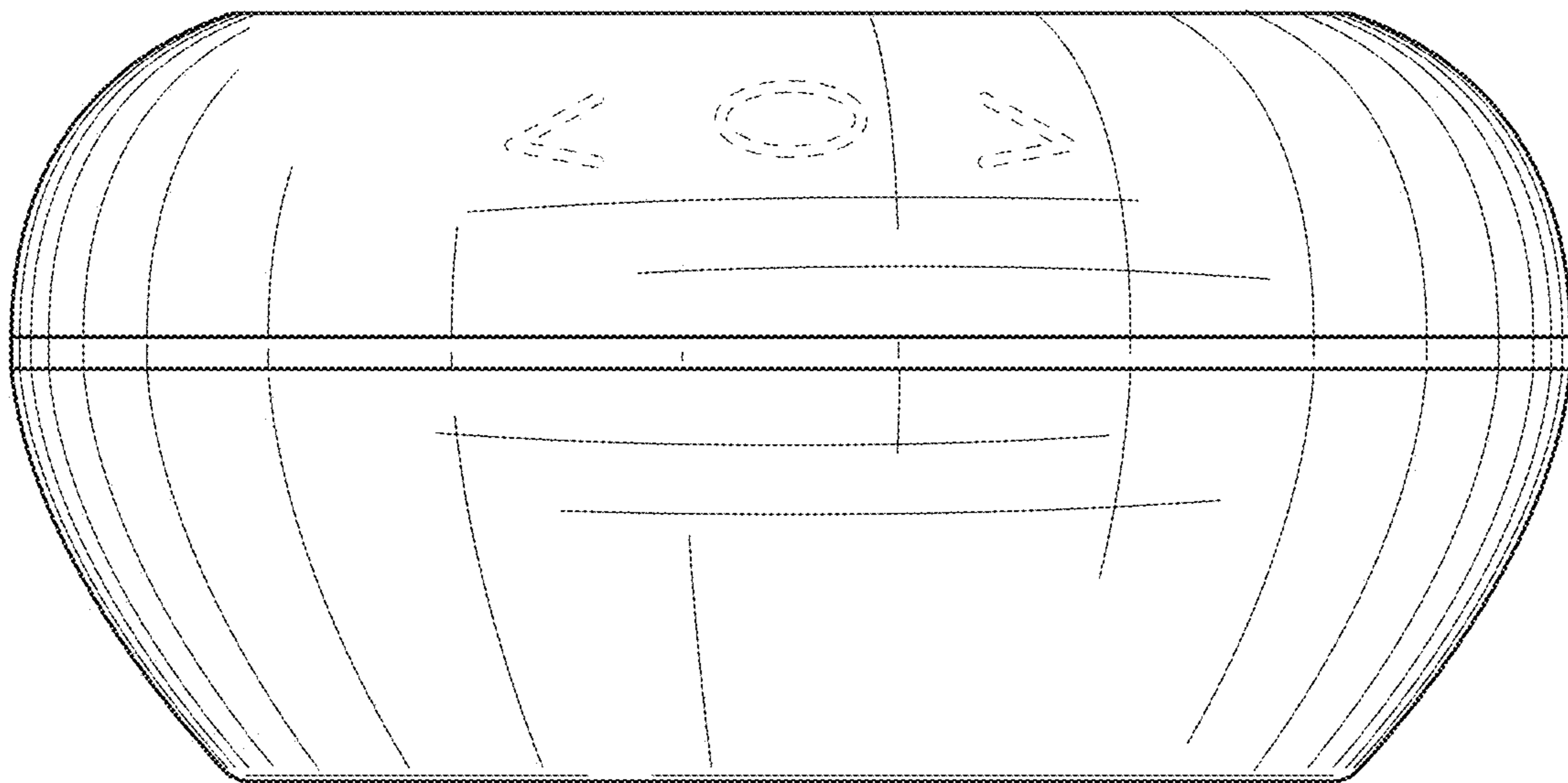


FIG. 2

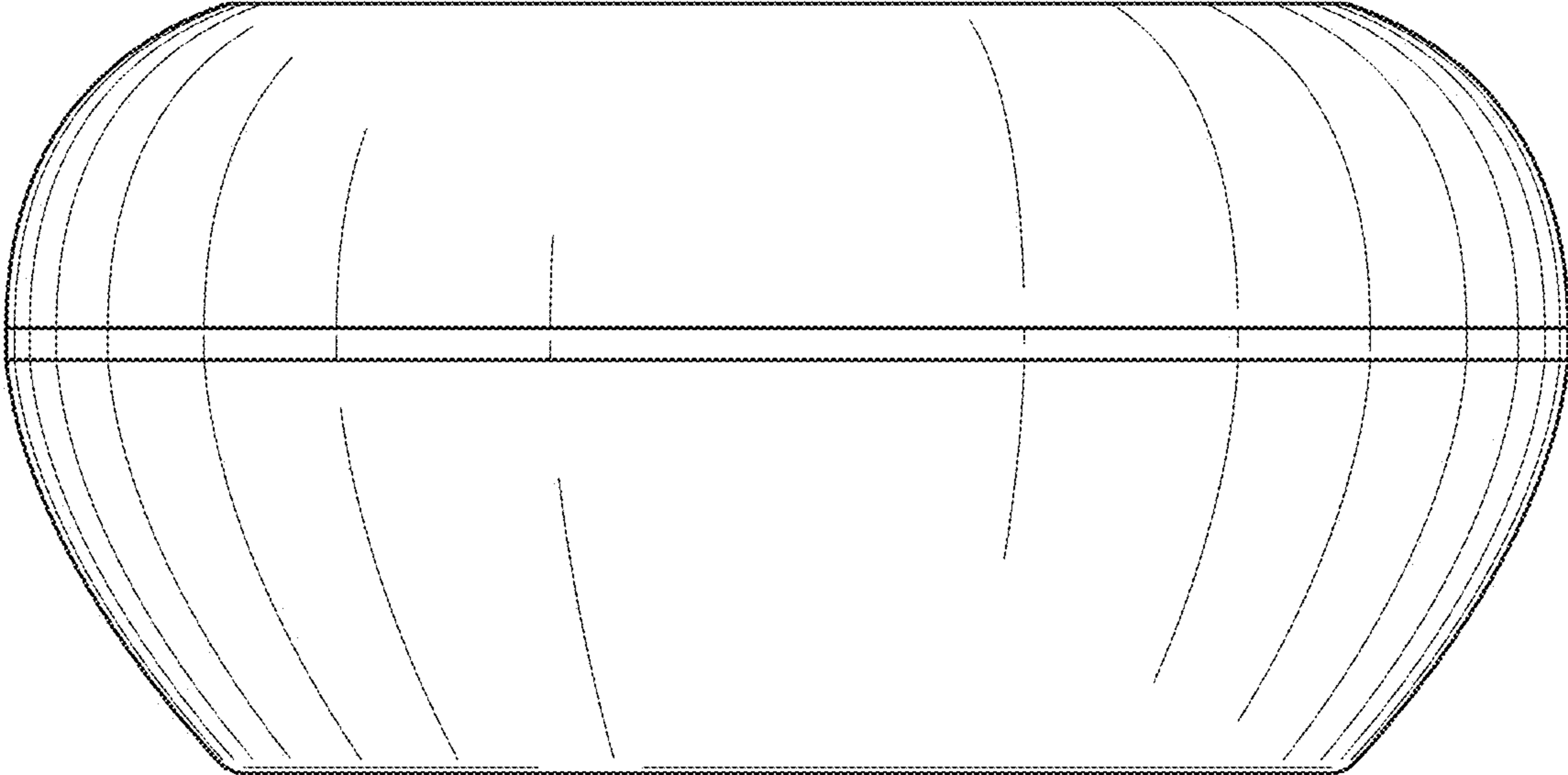


FIG. 3

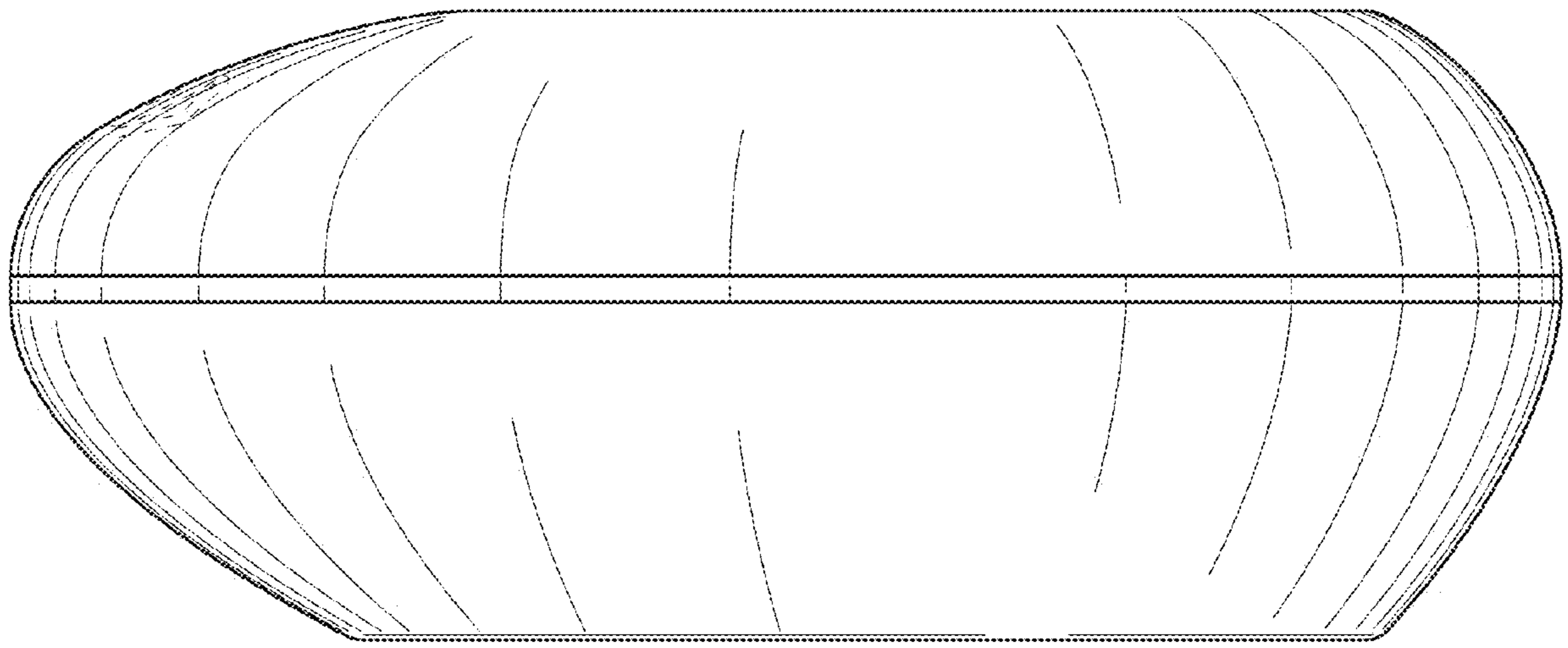


FIG. 4

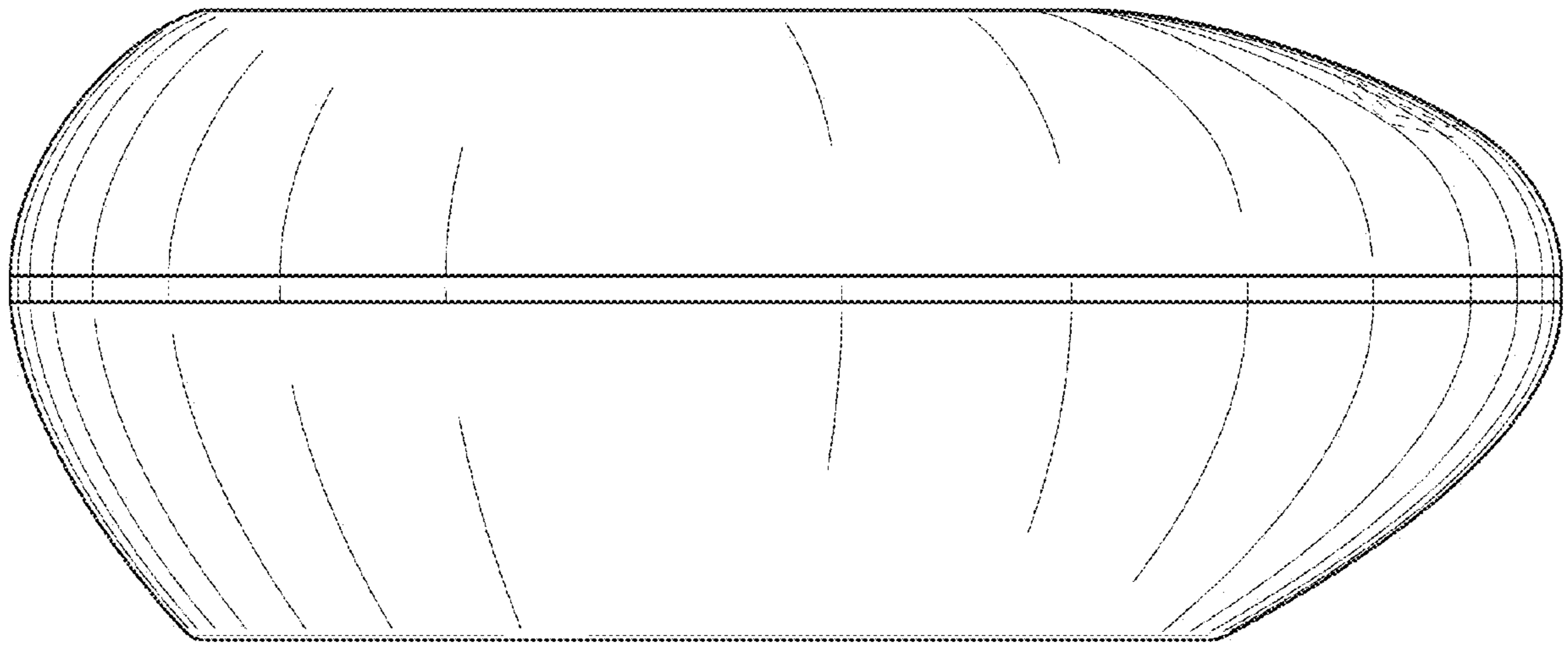


FIG. 5

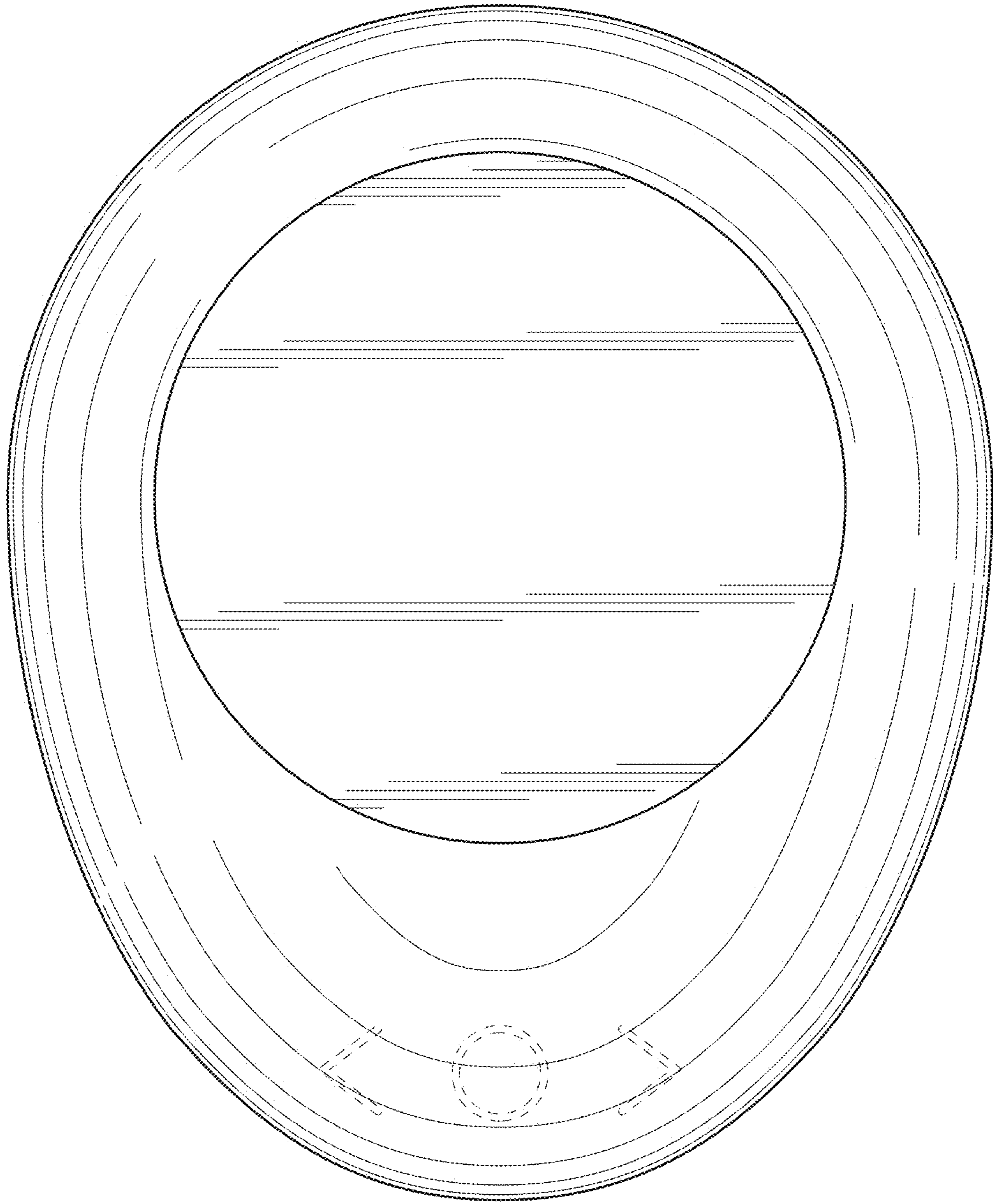


FIG. 6

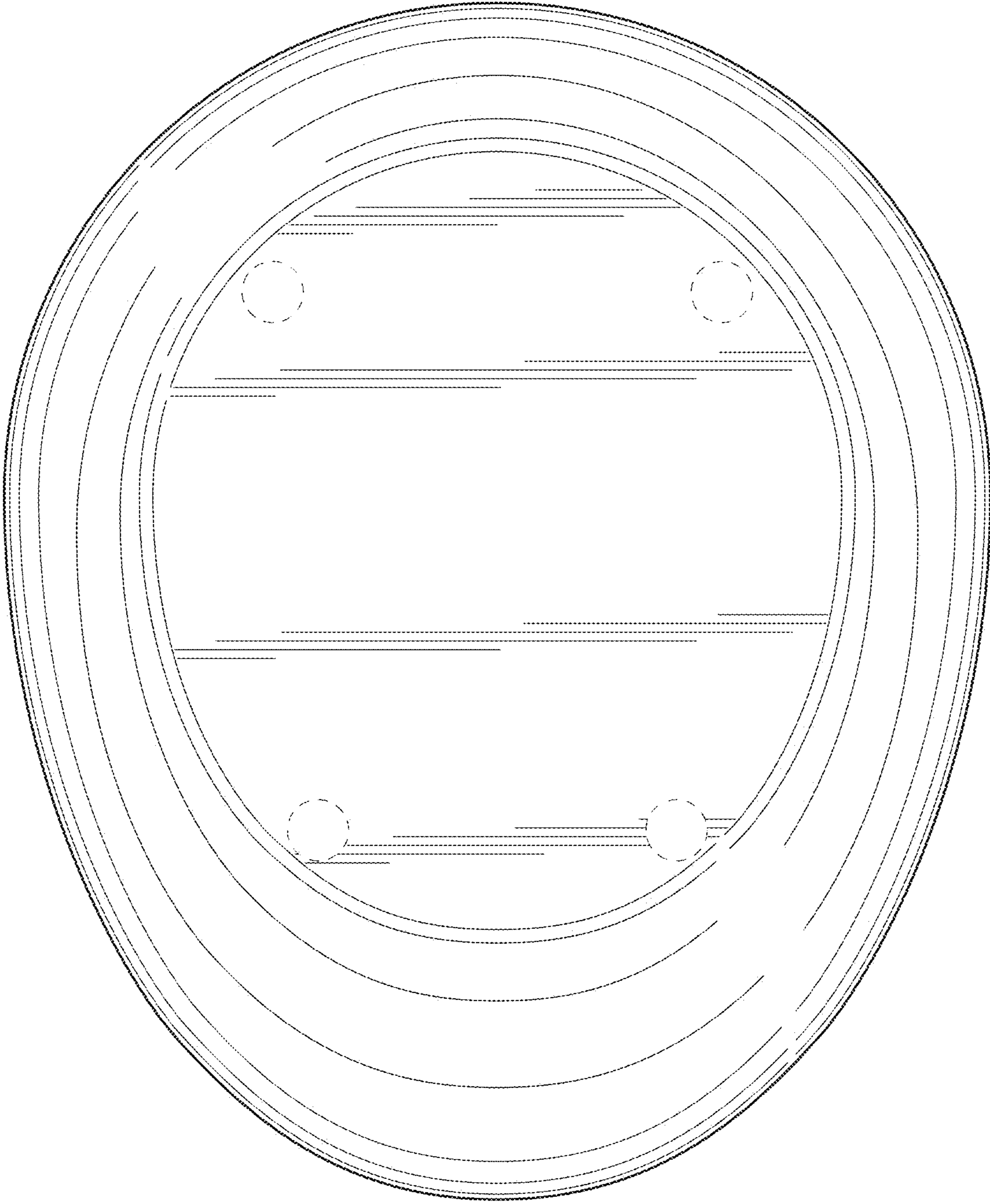


FIG. 7