



US00D937032S

(12) **United States Design Patent** (10) **Patent No.:** **US D937,032 S**
Barberi (45) **Date of Patent:** **** Nov. 30, 2021**

(54) **COOKWARE VESSEL BODY**

(71) Applicant: **Meyer Intellectual Properties Limited,**
Kowloon (HK)

(72) Inventor: **Philip D. Barberi,** San Ramon, CA
(US)

(73) Assignee: **MEYER INTELLECTUAL
PROPERTIES LIMITED,** Hong Kong
(CN)

(**) Term: **15 Years**

(21) Appl. No.: **29/719,137**

(22) Filed: **Dec. 31, 2019**

(51) **LOC (13) Cl.** **07-02**

(52) **U.S. Cl.**
USPC **D7/354**

(58) **Field of Classification Search**
USPC D7/323, 338, 352, 354, 355, 356, 357,
D7/358, 359, 360, 361, 362, 363, 364,
D7/365, 366, 367, 402, 407, 409
CPC .. A21B 3/00; A21B 3/13; A21B 3/131; A21B
3/132; A21B 3/135; A21B 3/136; A21B
3/137; A21B 3/15; A21B 5/00; A21B
5/02; A21B 5/04; A47J 27/00; A47J
36/00; A47J 36/02; A47J 36/06; A47J
36/16; A47J 36/24; A47J 36/022; A47J
36/027; A47J 37/00; A47J 37/01; A47J
37/04; A47J 37/06; A47J 37/10; A47J
37/07; A47J 37/0781; A47J 43/20

See application file for complete search history.

(56) **References Cited**

U.S. PATENT DOCUMENTS

D589,741 S * 4/2009 Gerlach D7/361
D598,702 S * 8/2009 Hoekstra D7/361
D682,013 S * 5/2013 Huang D7/361
D693,627 S * 11/2013 Moon D7/361

(Continued)

FOREIGN PATENT DOCUMENTS

JP 2003225170 A * 8/2003

OTHER PUBLICATIONS

AnoIon Smart Stack Hard Anodized Nonstick Frying Pan Set / Fry
Pan Set / Hard A, announced Jul. 1, 2019 [online], retrieved Oct. 23,
2020, retrieved from internet, [https://www.amazon.com/dp/
B07TPQGSN2/ref=sspa_dk_detail_0?psc=1&pd_rd_i=B07TPQGSN2
&pd_rd_w=xOyT1&pf_rd_p=f0355a48-7e73-489a-9590-
564e12837b93&pd_rd_wg.*](https://www.amazon.com/dp/B07TPQGSN2/ref=sspa_dk_detail_0?psc=1&pd_rd_i=B07TPQGSN2&pd_rd_w=xOyT1&pf_rd_p=f0355a48-7e73-489a-9590-564e12837b93&pd_rd_wg.*)

(Continued)

Primary Examiner — Dana K Weiland
Assistant Examiner — Messina L Smith

(74) *Attorney, Agent, or Firm* — Edward S. Sherman

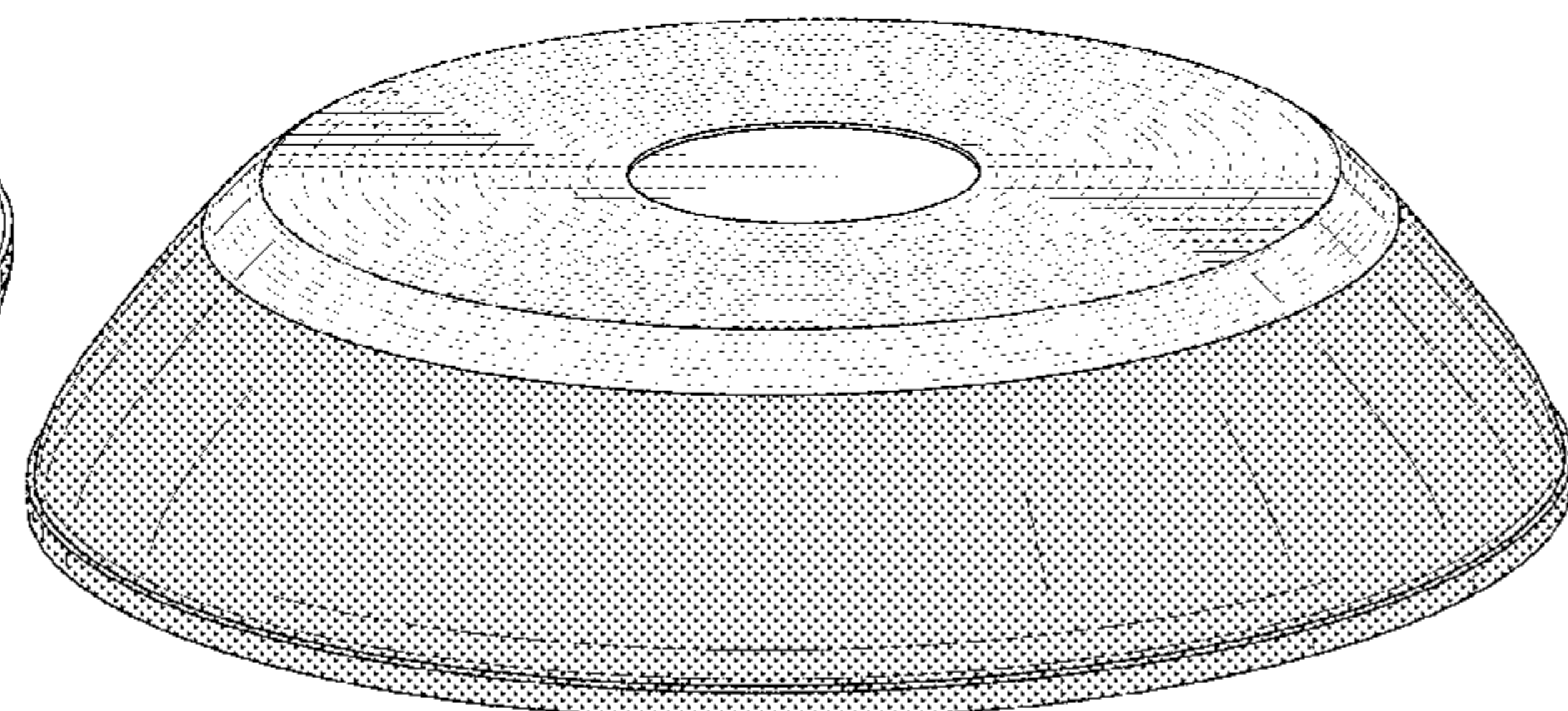
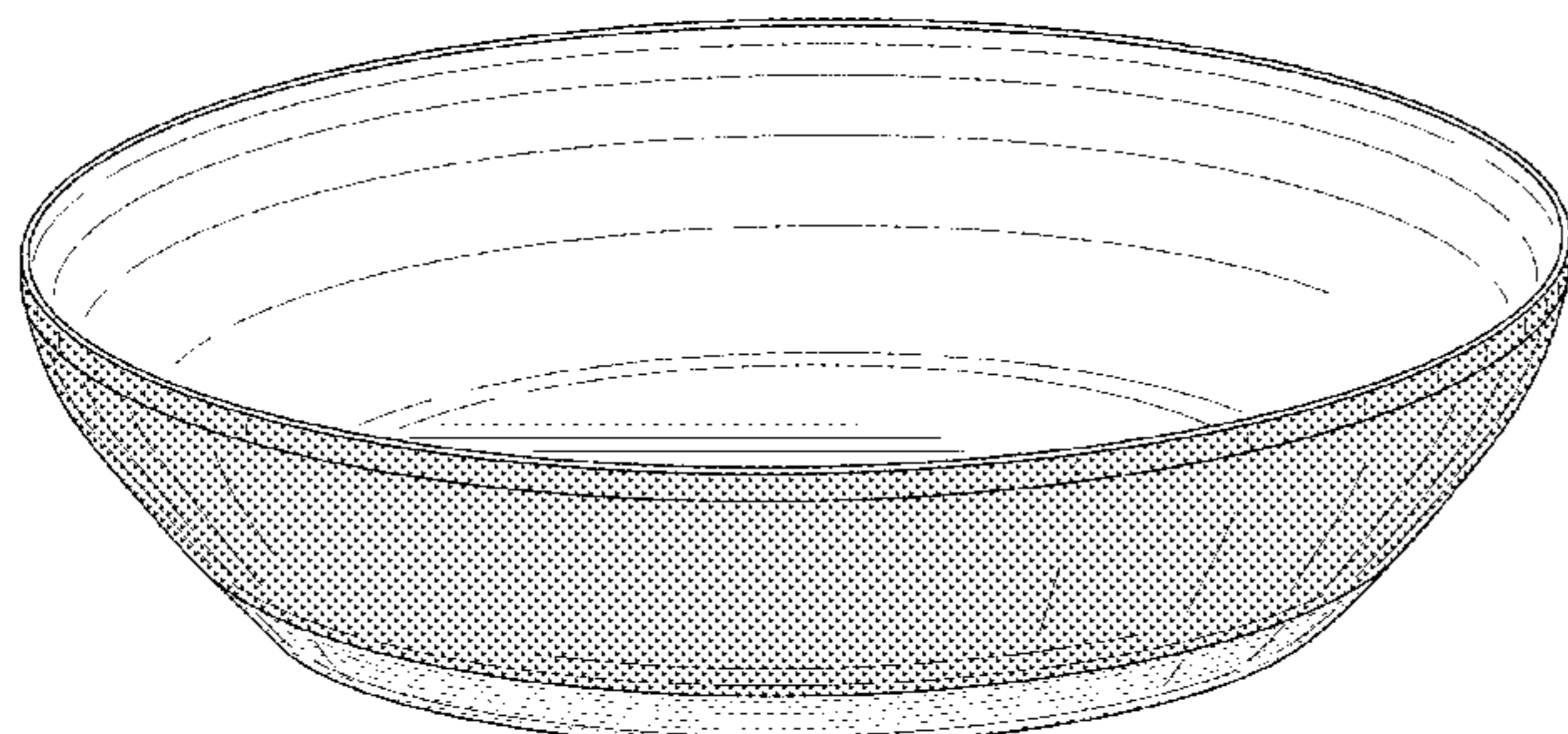
(57) **CLAIM**

The ornamental design for a cookware vessel body, as
shown and described.

DESCRIPTION

FIG. 1 is a top, side perspective view of the cookware vessel
body, showing my new design;
FIG. 2 is a top plan view thereof;
FIG. 3 is a bottom plan view thereof;
FIG. 4 is a right side elevation view thereof, the left side
being a mirror image thereof; and,
FIG. 5 is a bottom, side perspective view thereof.
Portions of the claimed design that have a polished reflective
finish are illustrated in a light shade of grey.
Portions of the claimed design that have a brushed finish are
indicated by intermittent grey lines that run in the direction
of the brushed finish.
The surface curvature of the various portion of the design are
indicated by intermittent black lines disposed over the areas
with the polished reflective finish or brushed finish.

(Continued)



No claim is made to the color, finish or contrast with adjacent portion for those surfaces of the design that are not illustrated as having a brushed finish or a polished reflective finish.

D889,901 S * 7/2020 Cheng D7/354
 2013/0037553 A1* 2/2013 Bourbeau A47J 45/061
 220/573.1
 2015/0083711 A1* 3/2015 Moon A47J 27/002
 219/621

1 Claim, 5 Drawing Sheets

OTHER PUBLICATIONS

(56)

References Cited

U.S. PATENT DOCUMENTS

D734,091 S * 7/2015 Moon D7/361
 D763,618 S * 8/2016 Feng D7/361
 D777,506 S * 1/2017 Mirchandani D7/361
 D783,338 S * 4/2017 Mirchandani D7/361
 D797,491 S * 9/2017 Mirchandani D7/354
 D797,494 S * 9/2017 Mirchandani D7/361
 D823,635 S * 7/2018 Gabbay D7/361
 D825,255 S * 8/2018 Mirchandani D7/361
 D834,875 S * 12/2018 Feng D7/361
 D876,152 S * 2/2020 Levy D7/354
 D880,222 S * 4/2020 Hollinger D7/361
 D883,731 S * 5/2020 Tsai D7/359

All-Clad Essentials Nonstick 10-Piec, announced 2019 [online], retrieved Oct. 23, 2020, retrieved from internet, <https://www.bedbathandbeyond.com/store/product/all-clad-essentials-nonstick-10-piece-hard-anodized-cookware-set/5390210?skuId=68693466>.*

Circulon Infinite Hard Anodized Nonstick Cookware Pots and Pans Set, announced May 5, 2003 [online], retrieved Oct. 23, 2020, retrieved from internet, <https://www.amazon.com/Infinite-Circulon-Anodized-Nonstick-Cookware/dp/B000JQ47CC>.*

Essteele Per Vita Cookware Set, announced Apr. 28, 2020 [online], retrieved Oct. 23, 2020, retrieved from internet, <https://www.petersofkensington.com.au/Public/Essteele-Per-Vita-Cookware-Set-5pce.aspx>.*

Farberware Glide Dishwasher Safe Nonstick Cookware Pots and Pans Set, announced Jul. 3, 2018 [online], retrieved Oct. 23, 2020, retrieved from internet, <https://www.amazon.com/Farberware-10365-Glide-Cookware-Piece/dp/B07F81XT31>.*

* cited by examiner

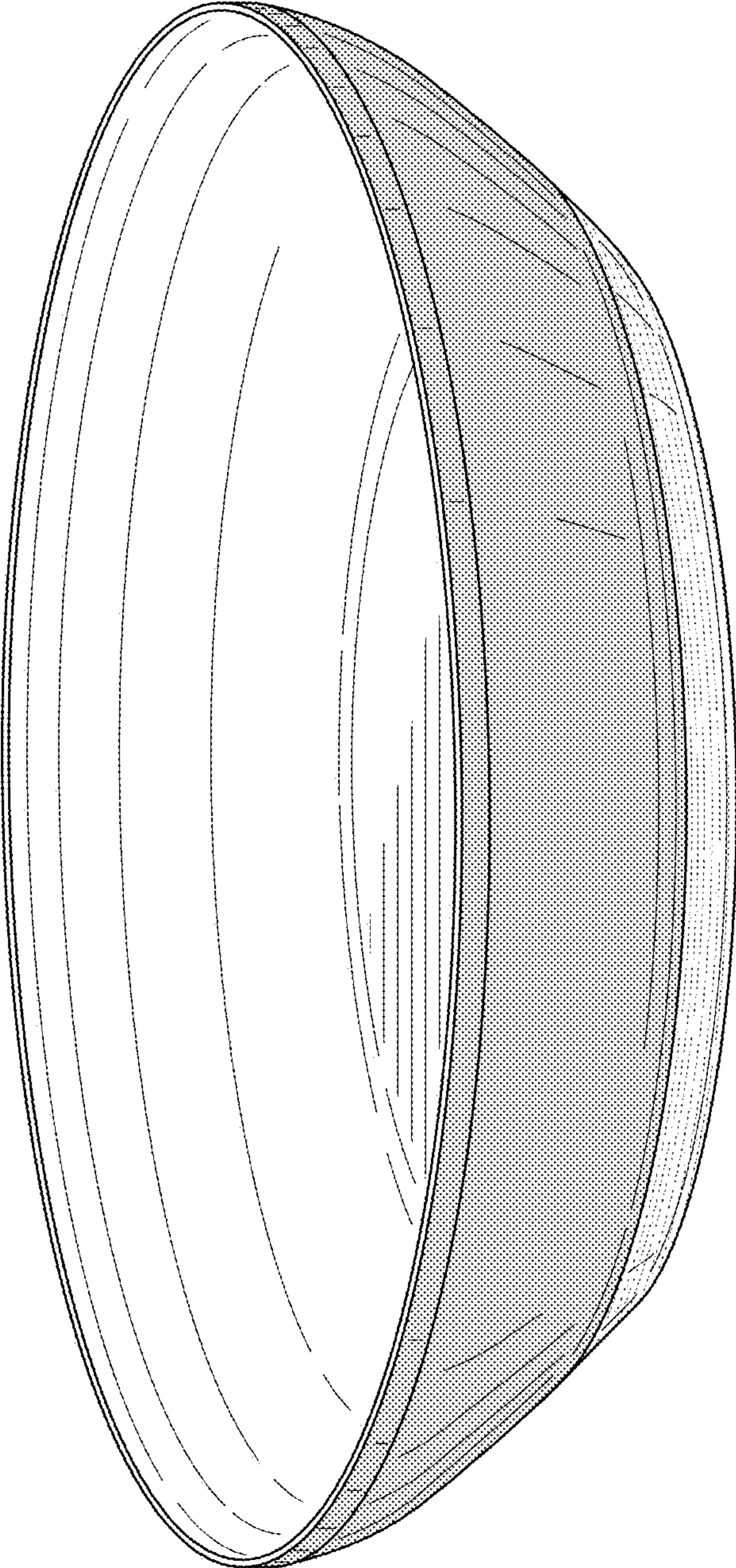


FIG. 1

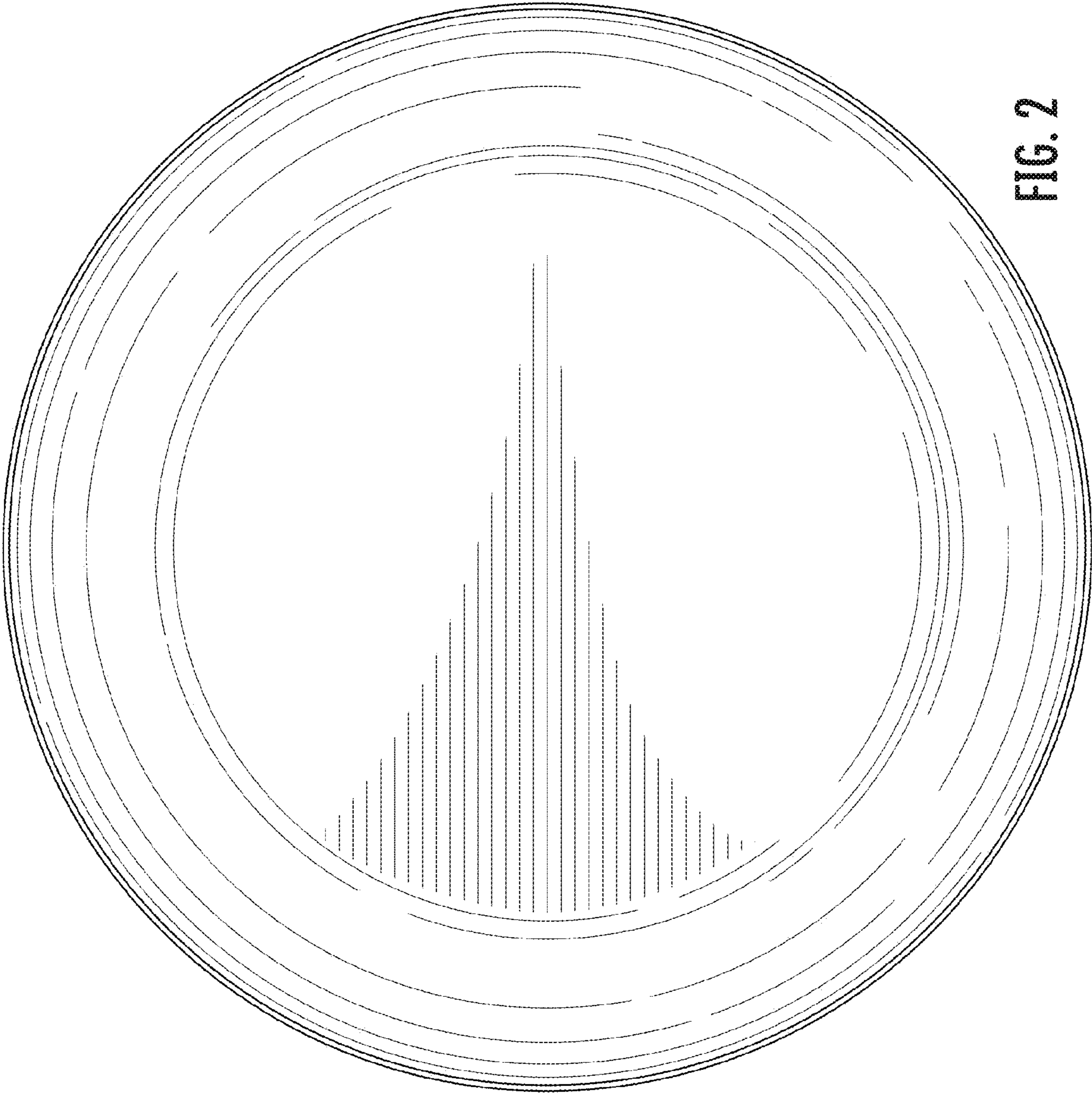


FIG. 2

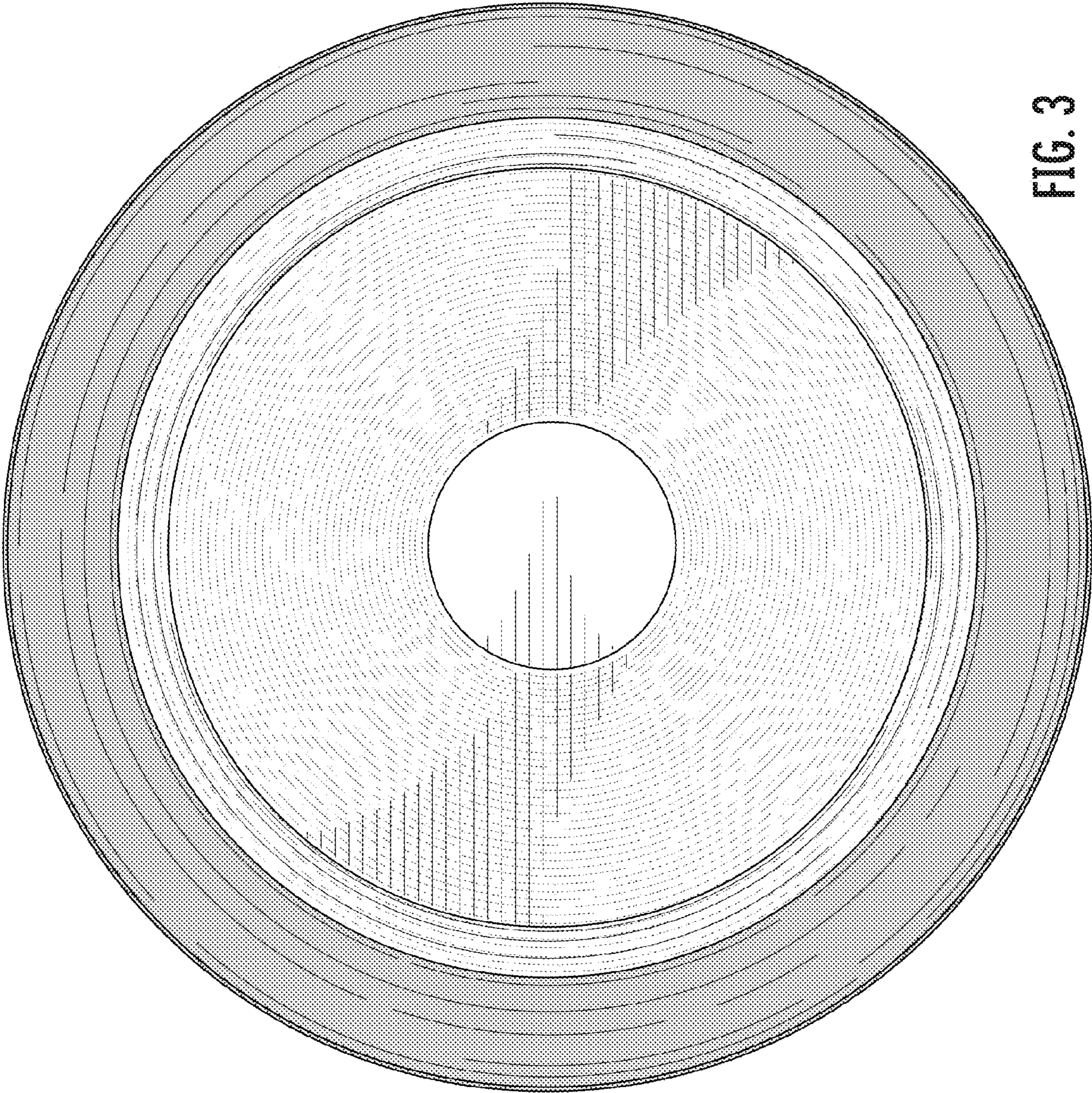


FIG. 3

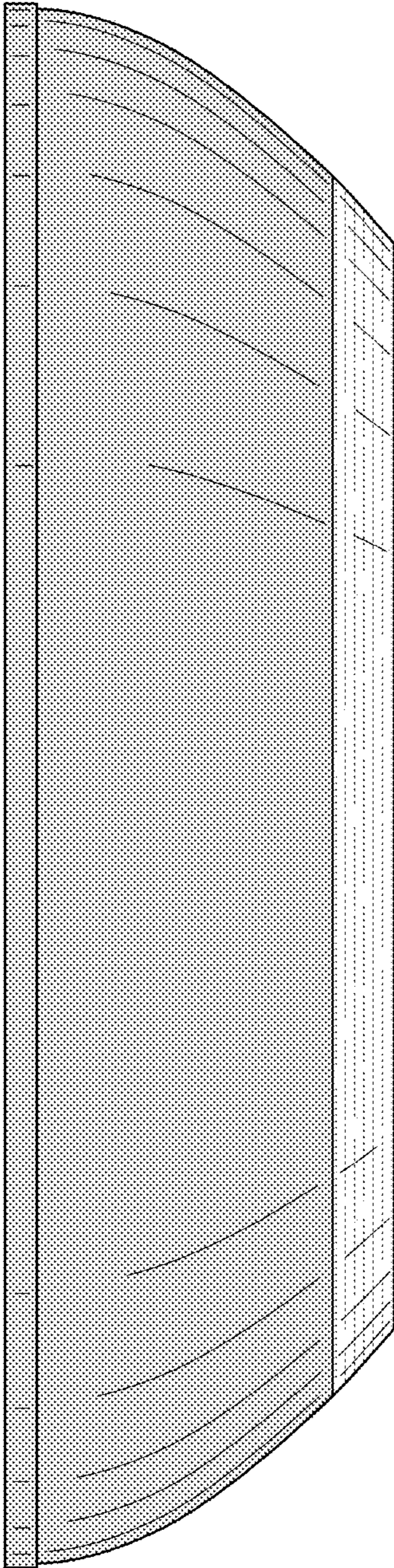


FIG. 4

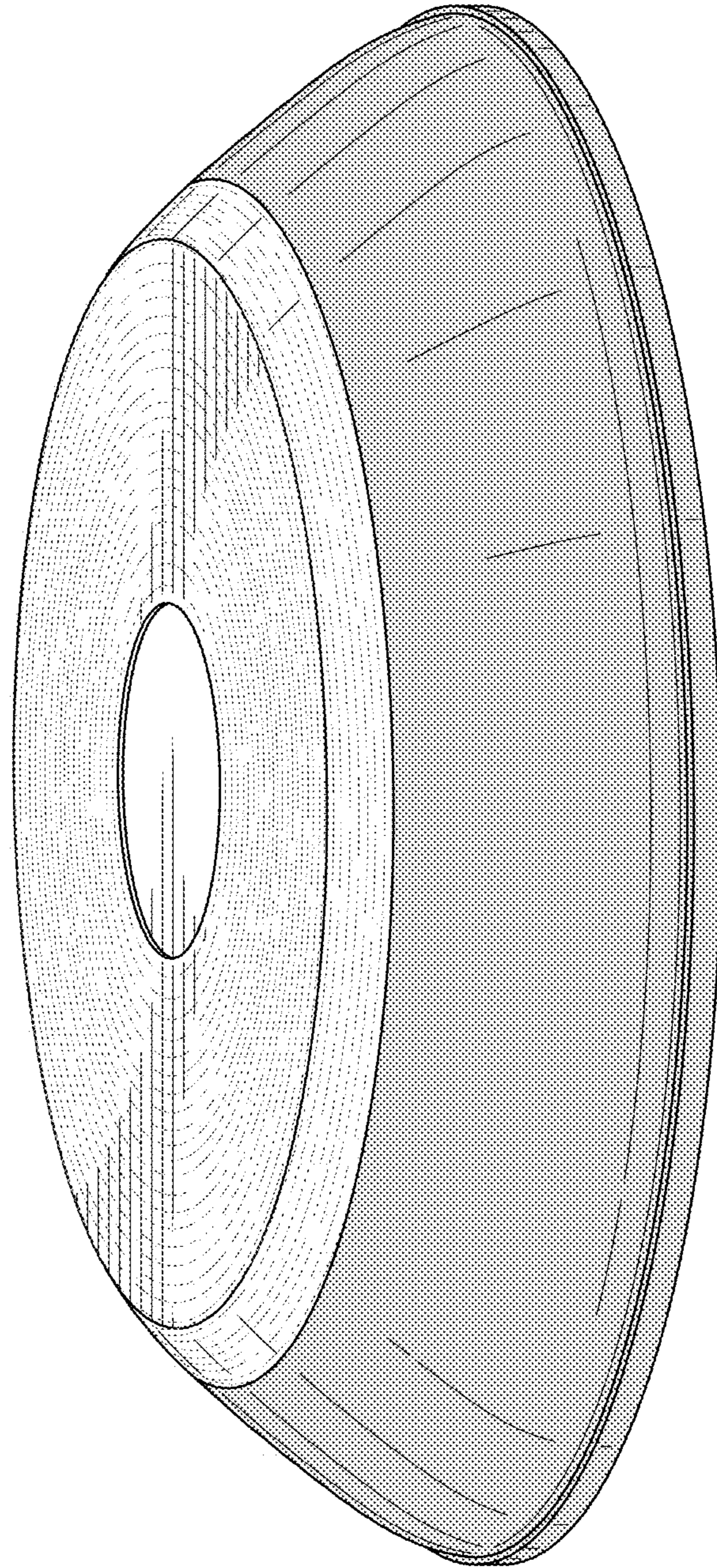


FIG. 5