

US00D937030S

(12) **United States Design Patent** (10) **Patent No.:** **US D937,030 S**  
**Mansueto** (45) **Date of Patent:** **\*\* Nov. 30, 2021**

(54) **BARBECUE**  
(71) Applicant: **Shriro Australia Pty Limited,**  
Kingsgrove (AU)  
(72) Inventor: **David Mansueto,** Rose Bay (AU)  
(73) Assignee: **Shriro Australia Pty Limited,**  
Kingsgrove (AU)  
(\*\*) Term: **15 Years**

D760,012 S *	6/2016	Lin	.....	D7/337
D814,226 S *	4/2018	Mansueto	.....	D7/334
D817,684 S *	5/2018	Mansueto	.....	D7/334
D820,022 S *	6/2018	Jones	.....	D7/334
D835,448 S *	12/2018	Mansueto	.....	D7/334
D842,637 S *	3/2019	Mansueto	.....	D7/334
D887,766 S *	6/2020	Kahn	.....	D7/334
D892,533 S *	8/2020	Binggan	.....	D7/337
D894,678 S *	9/2020	Bassett	.....	D7/403
D914,433 S *	3/2021	Chung	.....	D7/337
D917,948 S *	5/2021	Chung	.....	D7/334
D925,265 S *	7/2021	Bennion	.....	D7/334

(21) Appl. No.: **29/697,880**  
(22) Filed: **Jul. 11, 2019**

\* cited by examiner

(30) **Foreign Application Priority Data**

*Primary Examiner* — Mary Ann Calabrese  
*Assistant Examiner* — Natalya M Rapundalo  
(74) *Attorney, Agent, or Firm* — Dascenzo Gates  
Intellectual Property Law, P.C.

Jan. 15, 2019 (AU) ..... 201910241

(51) **LOC (13) Cl.** ..... **07-02**  
(52) **U.S. Cl.**  
USPC ..... **D7/334**

(57) **CLAIM**

(58) **Field of Classification Search**  
USPC ..... D7/323, 327, 332, 334, 335, 339, 347,  
D7/348, 350.2, 350.3, 350.4, 354, 402,  
D7/337

The ornamental design for a barbecue, as shown and described.

CPC .... A47J 33/00; A47J 36/38; A47J 2037/0777;  
A47J 37/00; A47J 37/04; A47J 37/06;  
A47J 37/0623; A47J 37/0629; A47J  
37/0635; A47J 37/0647; A47J 37/0652;  
A47J 37/0658; A47J 37/07; A47J  
37/0704; A47J 37/0709; A47J 37/0713;  
A47J 37/0718; A47J 37/0722; A47J  
37/0727; A47J 37/075; A47J 37/0754;  
A47J 37/0763; A47J 37/0786; F24C 1/16;  
F24C 5/20

**DESCRIPTION**

See application file for complete search history.

FIG. 1 is a front top perspective view of a first version of a barbecue showing the new design;  
FIG. 2 is a front view thereof;  
FIG. 3 is a side view thereof;  
FIG. 4 is an opposite side view thereof;  
FIG. 5 is a top view thereof; and,  
FIG. 6 is a bottom view thereof.

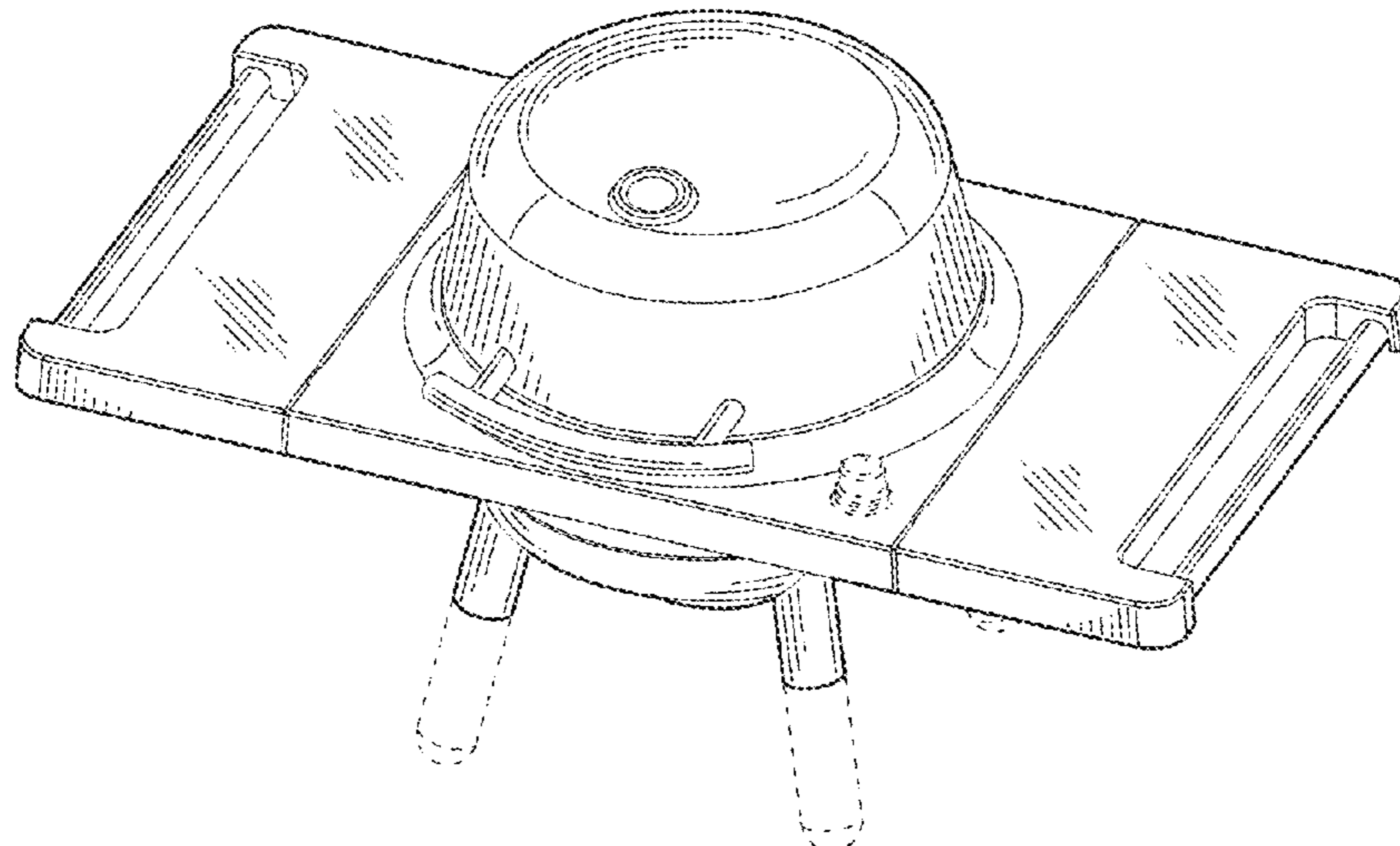
(56) **References Cited**

The dashed lines shown in the drawings illustrate portions of the barbecue that are not claimed and thus form no part of the claimed design.

**U.S. PATENT DOCUMENTS**

D473,746 S *	4/2003	Yeh	.....	D7/337
D675,862 S *	2/2013	Bodum	.....	D7/337
D722,467 S *	2/2015	Chung	.....	D7/337

**1 Claim, 4 Drawing Sheets**



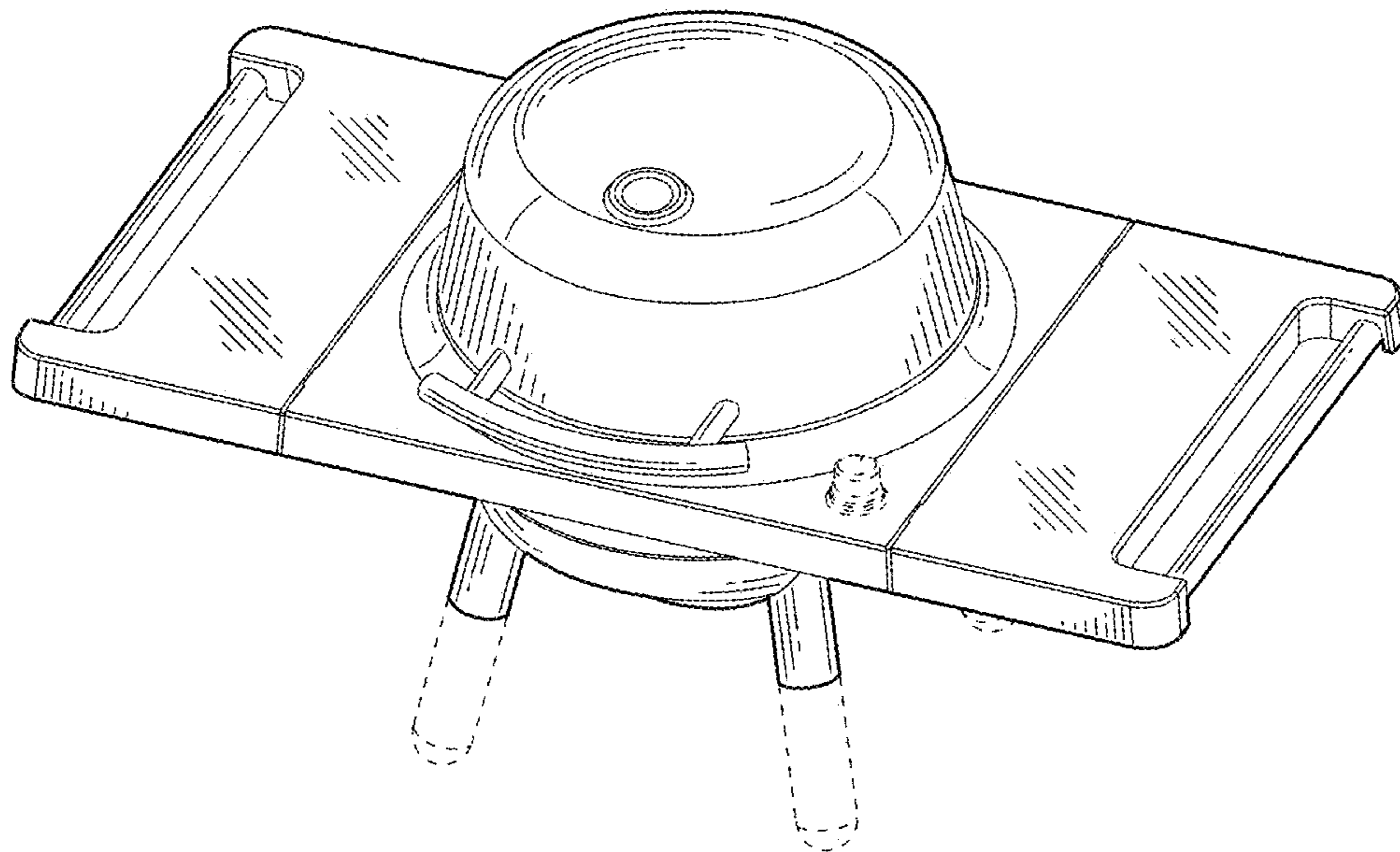


Fig. 1

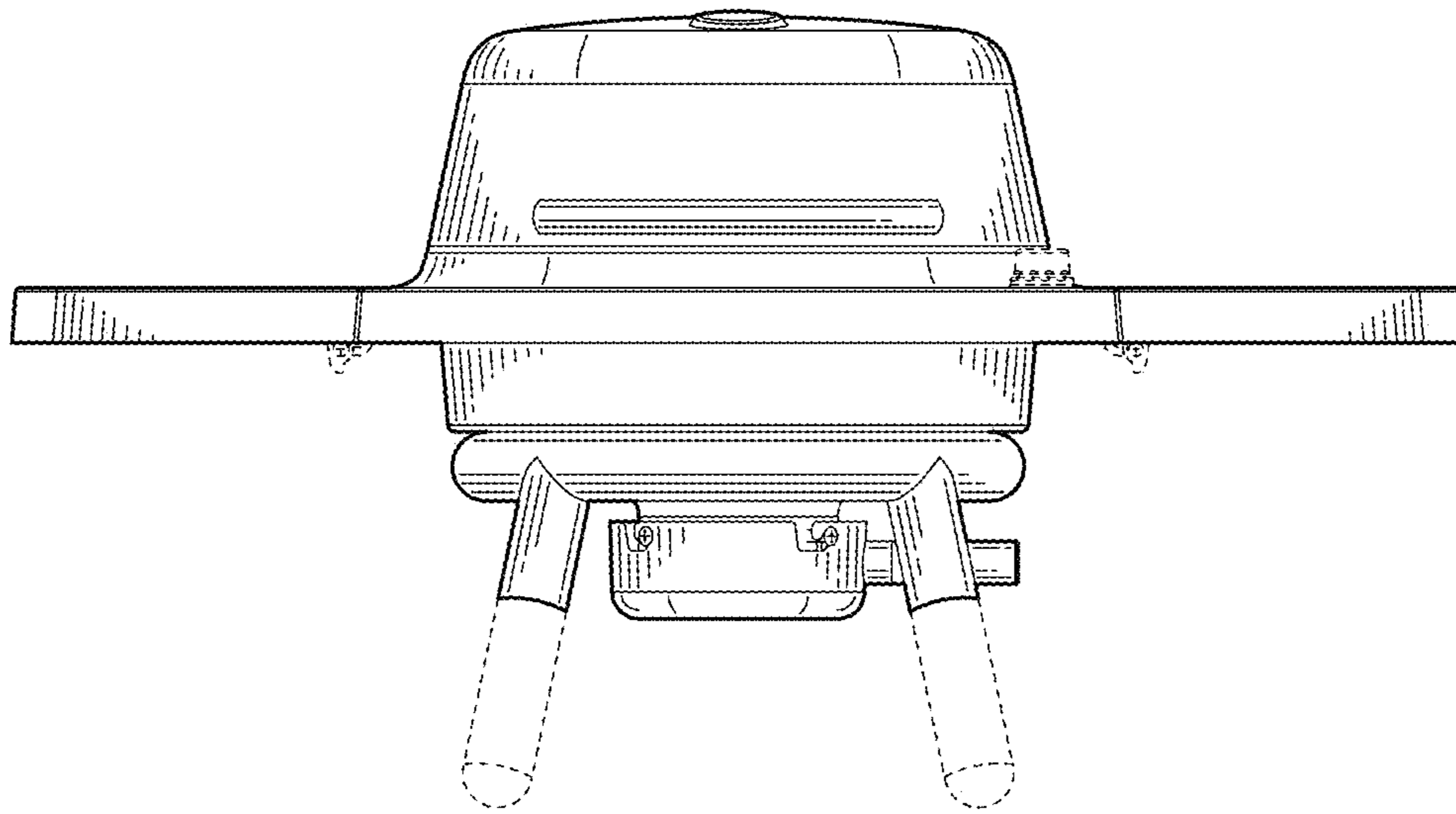


Fig. 2

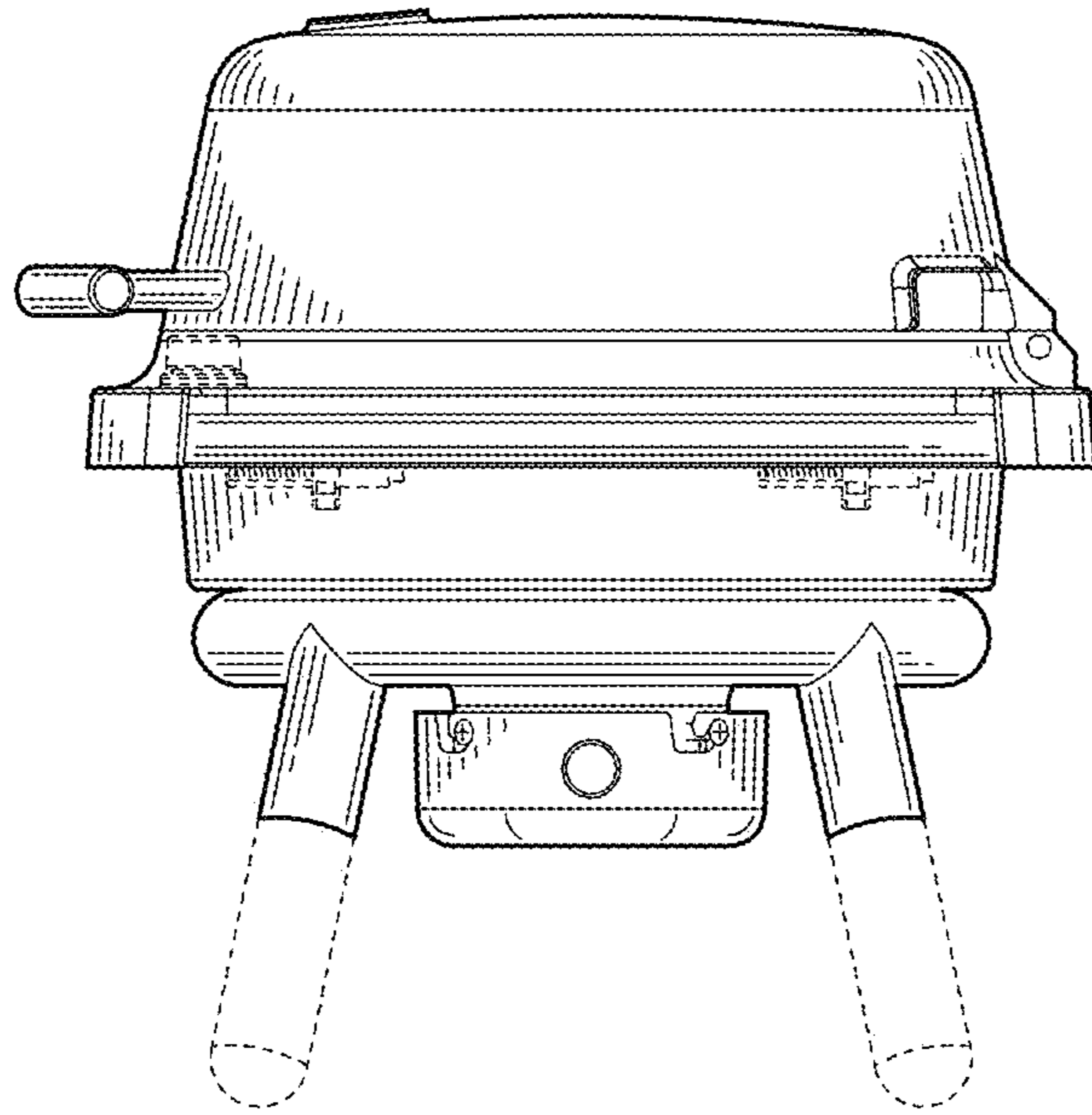


Fig. 3

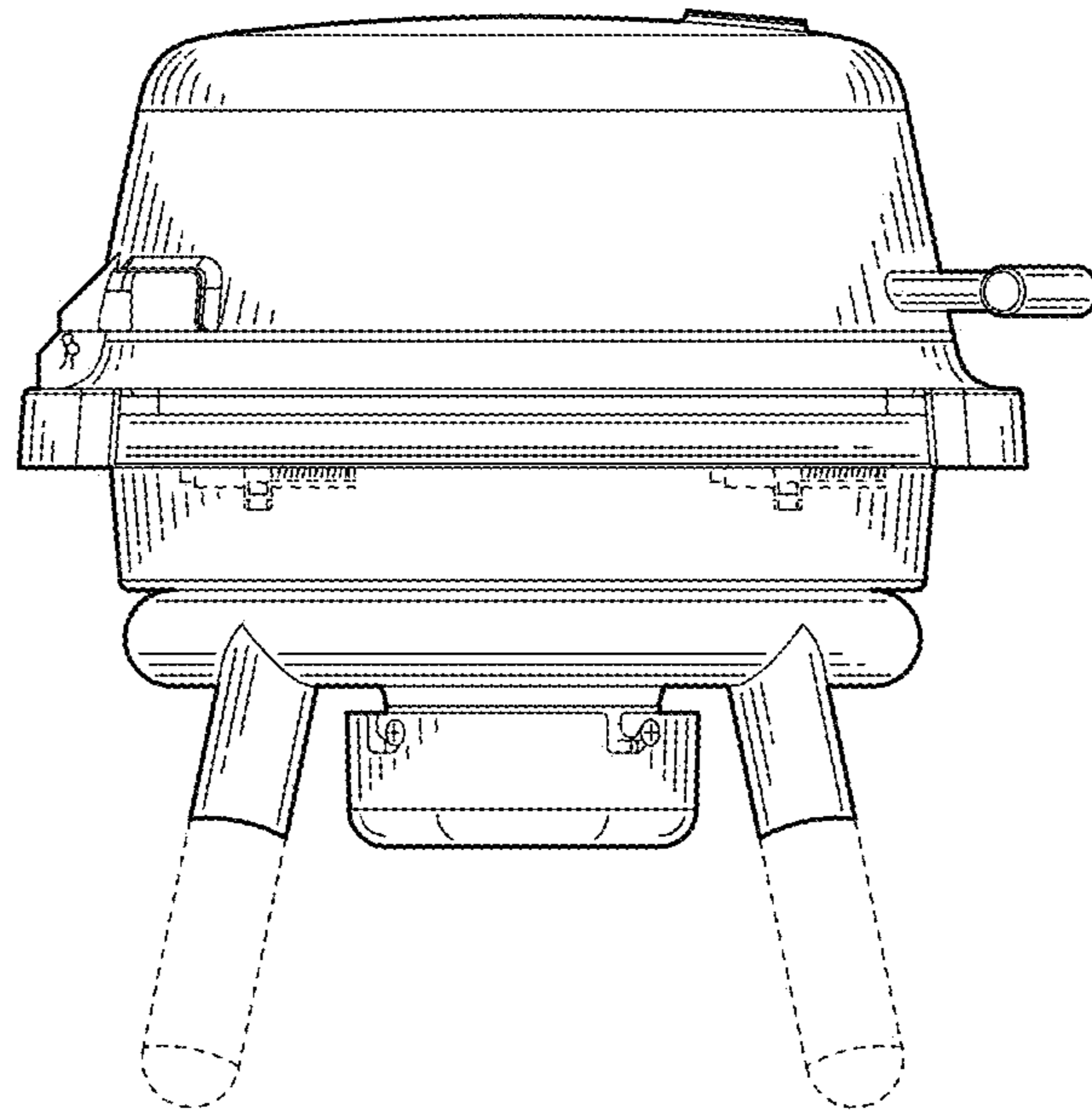


Fig. 4

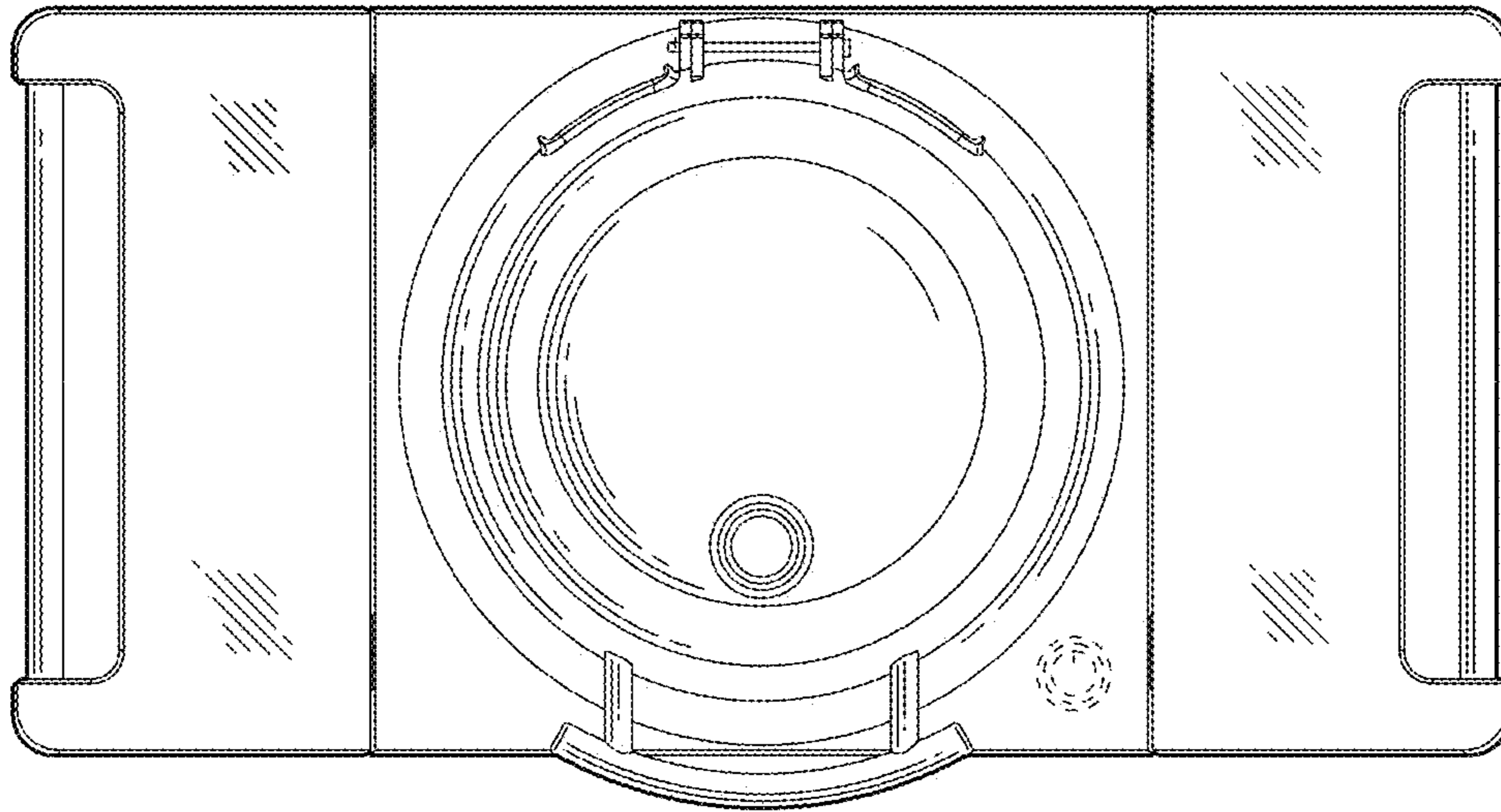


Fig. 5

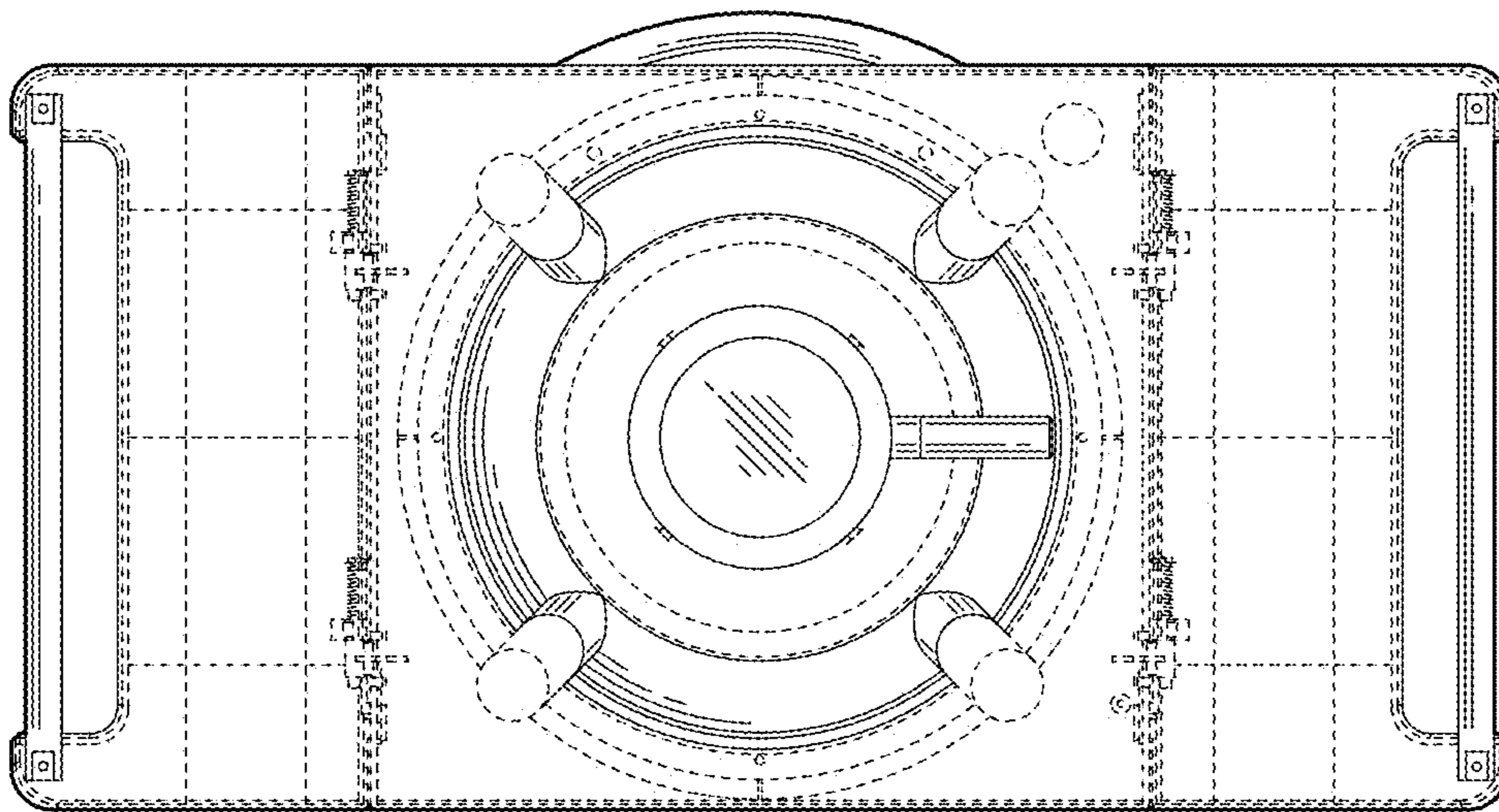


Fig. 6