



US00D937029S

(12) **United States Design Patent** (10) **Patent No.:** **US D937,029 S**
Bock (45) **Date of Patent:** **** Nov. 30, 2021**

- (54) **TOASTER**
- (71) Applicant: **Hamilton Beach Brands, Inc.**, Glen Allen, VA (US)
- (72) Inventor: **Brian Bock**, Midlothian, VA (US)
- (73) Assignee: **Hamilton Beach Brands, Inc.**, Glen Allen, VA (US)
- (**) Term: **15 Years**
- (21) Appl. No.: **29/718,581**
- (22) Filed: **Dec. 26, 2019**
- (51) **LOC (13) Cl.** **07-02**
- (52) **U.S. Cl.**
USPC **D7/330**
- (58) **Field of Classification Search**
USPC D7/328, 329, 330, 331, 339, 340, 341, D7/342, 343, 344, 345, 346, 347, 348, D7/349, 351, 352, 390, 402, 405, 406; D21/523, 524
CPC A47J 37/08; A47J 37/0807; A47J 37/0814; A47J 37/0821; A47J 37/0828; A47J 37/0835; A47J 37/0842; A47J 37/085; A47J 37/0857; A47J 37/0864; A47J 37/0871; A47J 37/0878; A47J 37/0885; A47J 37/0892; A47J 37/0611; A47J 37/0623; A47J 37/0629; A47J 37/00; A47J 37/04; A47J 37/06; A21B 1/50; A21B 1/52; A21B 5/00; F24C 15/02; F24C 15/04; F24C 15/10
See application file for complete search history.

- D520,801 S * 5/2006 Cuffaro D7/330
 - D615,343 S * 5/2010 Bock D7/330
 - D635,390 S * 4/2011 Duncan D7/330
 - D644,473 S * 9/2011 Pantaleo D7/330
 - D648,593 S * 11/2011 Curtis D7/330
 - D661,940 S * 6/2012 Averty D7/330
 - D688,508 S * 8/2013 Garman D7/330
 - D688,509 S * 8/2013 Carlson D7/330
 - D701,720 S * 4/2014 Palermo D7/330
- (Continued)

FOREIGN PATENT DOCUMENTS

GB 2449512 A * 11/2008 A47J 37/0842

OTHER PUBLICATIONS

Hamilton Beach Brushed Stainless Steel 2-Slice Toaster, announced 2017 [online], retrieved Nov. 6, 2020, retrieved from internet, <https://www.nfm.com/hamilton-beach-brushed-stainless-steel-2-slice-toaster>.*

(Continued)

Primary Examiner — Dana K Weiland
Assistant Examiner — Messina L Smith
(74) *Attorney, Agent, or Firm* — Alexander D. Raring

(57) **CLAIM**

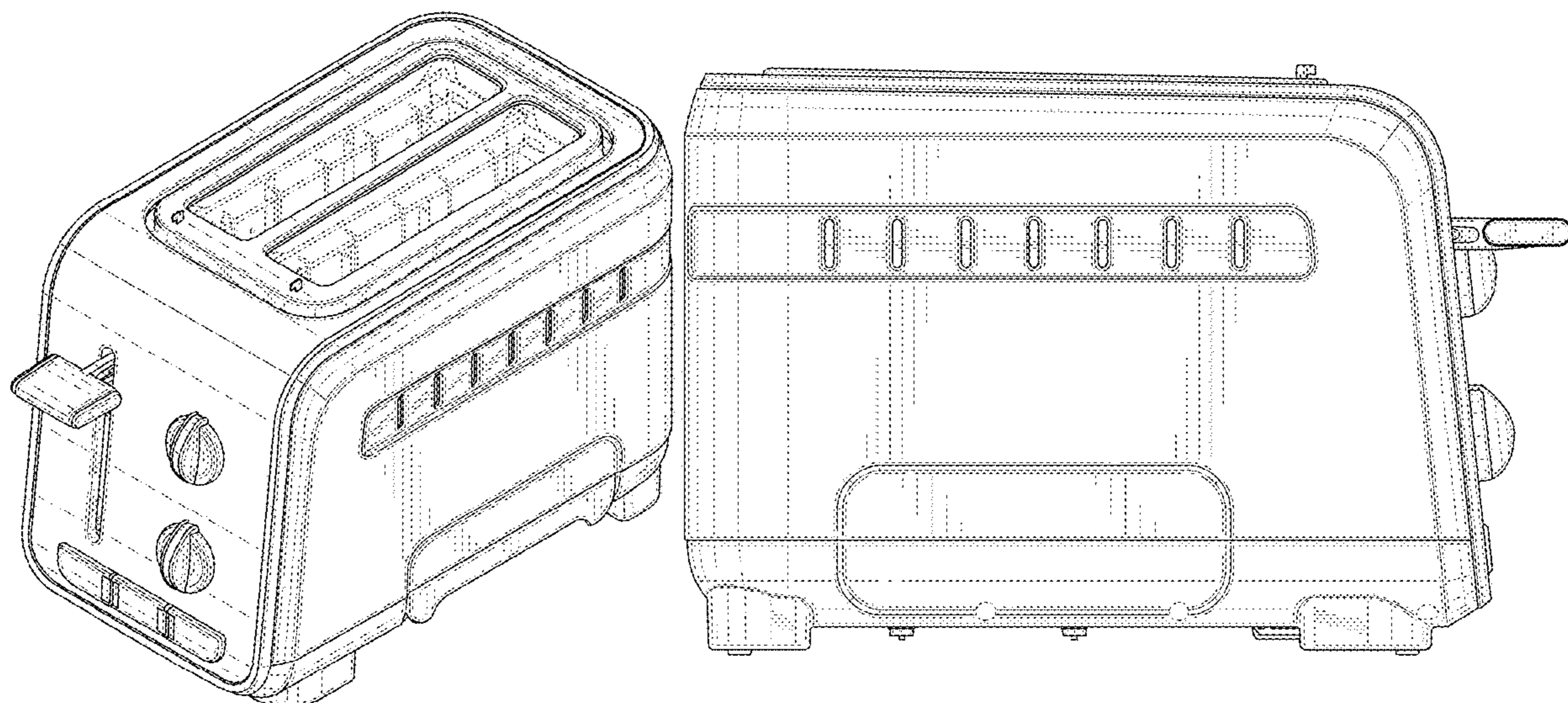
The ornamental design for a toaster, as shown and described.

DESCRIPTION

FIG. 1 is a front, top, right side perspective view of a toaster showing the new design;
FIG. 2 is a front view thereof;
FIG. 3 is a rear view thereof;
FIG. 4 is a left side view thereof;
FIG. 5 is a right side view thereof;
FIG. 6 is a top view thereof; and,
FIG. 7 is a bottom view thereof.
The broken lines shown in the drawings depict portions of the toaster that form no part of the claimed design.

1 Claim, 7 Drawing Sheets

- (56) **References Cited**
U.S. PATENT DOCUMENTS
2,611,849 A * 9/1952 Gough A47J 37/0821 219/489
D423,865 S * 5/2000 Gaynor D7/330
D489,564 S * 5/2004 Enriquez D7/330



(56)

References Cited

U.S. PATENT DOCUMENTS

D724,885 S * 3/2015 Kunz D7/330
 D730,676 S * 6/2015 Palmer D7/330
 D746,093 S * 12/2015 Bazzicalupo D7/330
 D746,624 S * 1/2016 Sun D7/330
 D749,349 S * 2/2016 Carlson D7/330
 D758,780 S * 6/2016 Affatato D7/330
 D758,781 S * 6/2016 Yuan D7/330
 D759,418 S * 6/2016 Affatato D7/330
 D761,610 S * 7/2016 Carpenter D7/330
 D796,890 S * 9/2017 De' Longhi D7/330
 D797,490 S * 9/2017 Averty D7/330
 D804,887 S * 12/2017 Lin D7/330
 D807,677 S * 1/2018 Ho D7/330
 D812,408 S * 3/2018 Li D7/330
 D823,631 S * 7/2018 Gort-Barten D7/330
 D835,931 S * 12/2018 Del Conte D7/330
 D838,132 S * 1/2019 Kowalewski D7/330
 D839,654 S * 2/2019 Lin D7/330
 D843,768 S * 3/2019 Miller D7/330
 D843,769 S * 3/2019 Chen D7/330
 D862,149 S * 10/2019 Gordon D7/330
 D886,505 S * 6/2020 Thun D7/330
 2014/0220210 A1 * 8/2014 Turner A47J 37/0814
 426/496

2015/0053093 A1 * 2/2015 Chang A47J 37/0807
 99/341
 2015/0257597 A1 * 9/2015 Marschke A47J 37/0807
 99/389
 2017/0188753 A1 * 7/2017 Hall A47J 37/0842
 2020/0329911 A1 * 10/2020 Starr A47J 37/0821

OTHER PUBLICATIONS

Cuisinart—Metal Classic 2-Slice Toaster, announced 2010 [online],
 retrieved Nov. 6, 2020, retrieved from internet, <https://www.bestbuy.com/site/cuisinart-metal-classic-2-slice-toaster-stainless-steel/6307631.p?skuld=6307631>.*

Hamilton Beach—Professional 2-Slice Wide-Slot Toaster, announced
 Aug. 2020 [online], retrieved Nov. 6, 2020, retrieved from internet,
https://www.bestbuy.com/site/hamilton-beach-professional-2-slice-wide-slot-toaster-stainless-steel/6404102.p?skuld=6404102&ref=212&loc=1&ref=212&loc=1&ds_rl=1260582&gclid=Cj0.*

2-Slice Silver Wide Slot Toaster, announced Jun. 24, 2013 [online],
 retrieved Nov. 6, 2020, retrieved from internet, <https://www.homedepot.com/p/KitchenAid-2-Slice-Silver-Wide-Slot-Toaster-with-Crumb-Tray-and-Shade-Control-Settings-KMT2115CU/203433041>.*

* cited by examiner

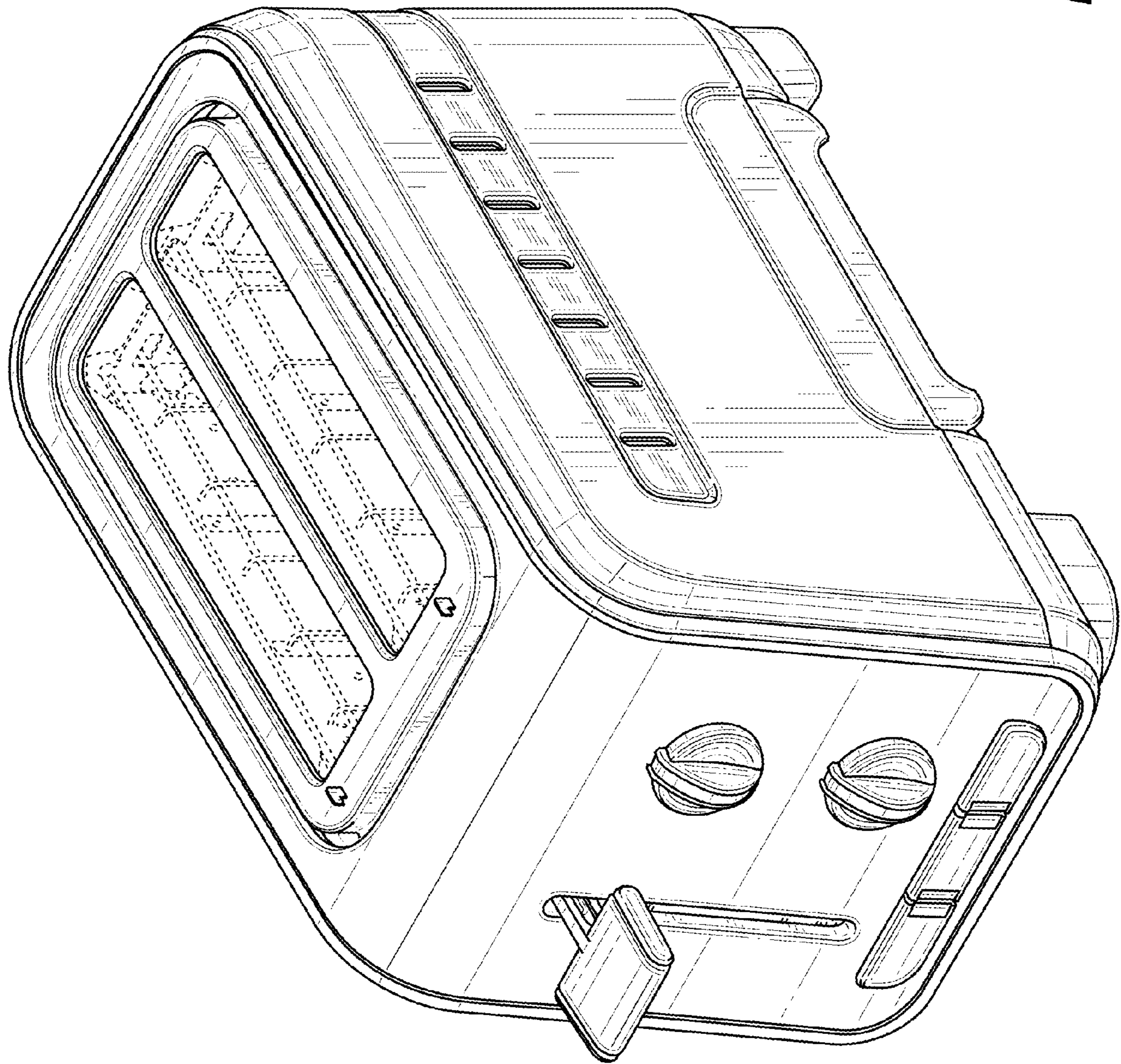


FIG. 1

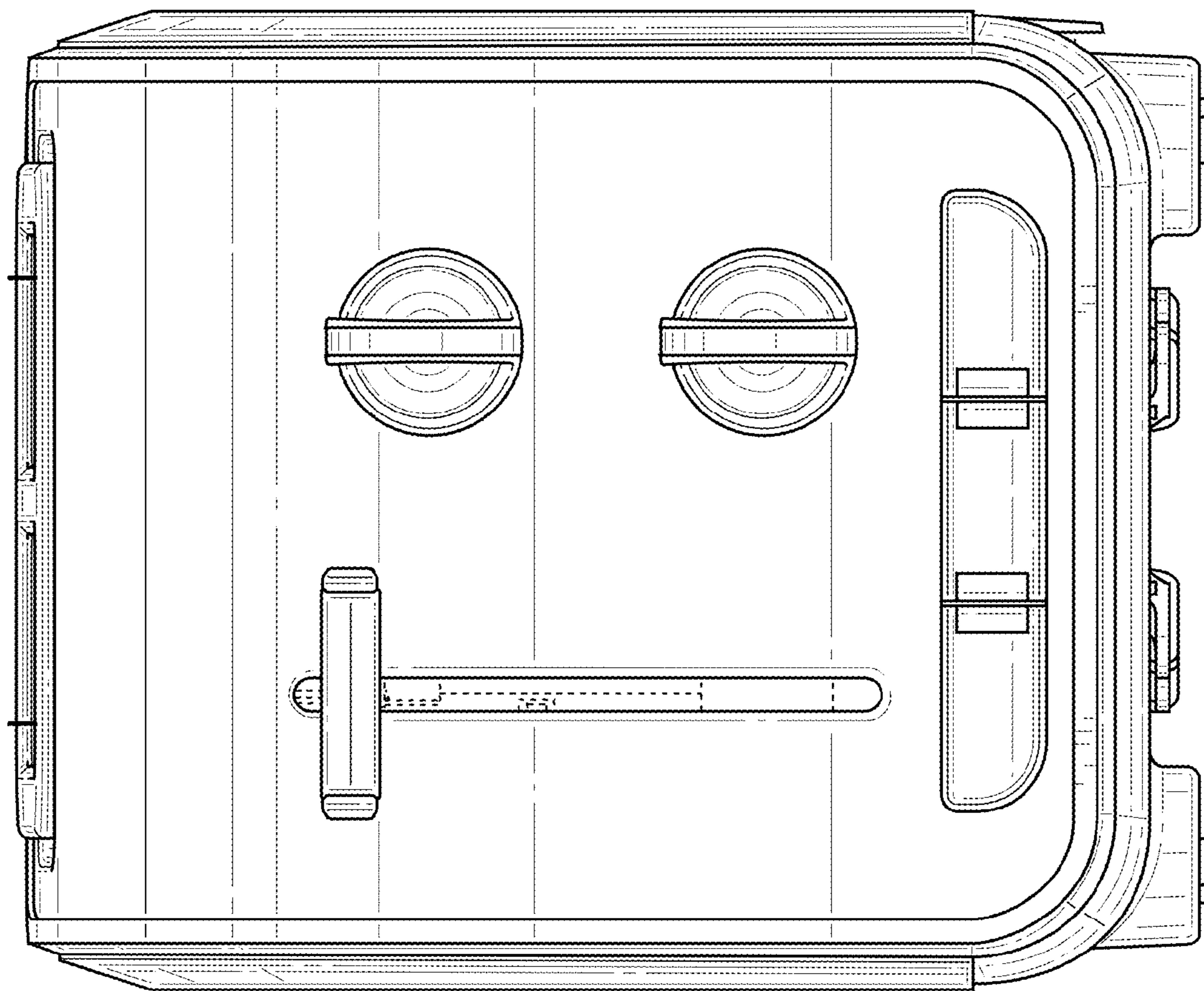


FIG. 2

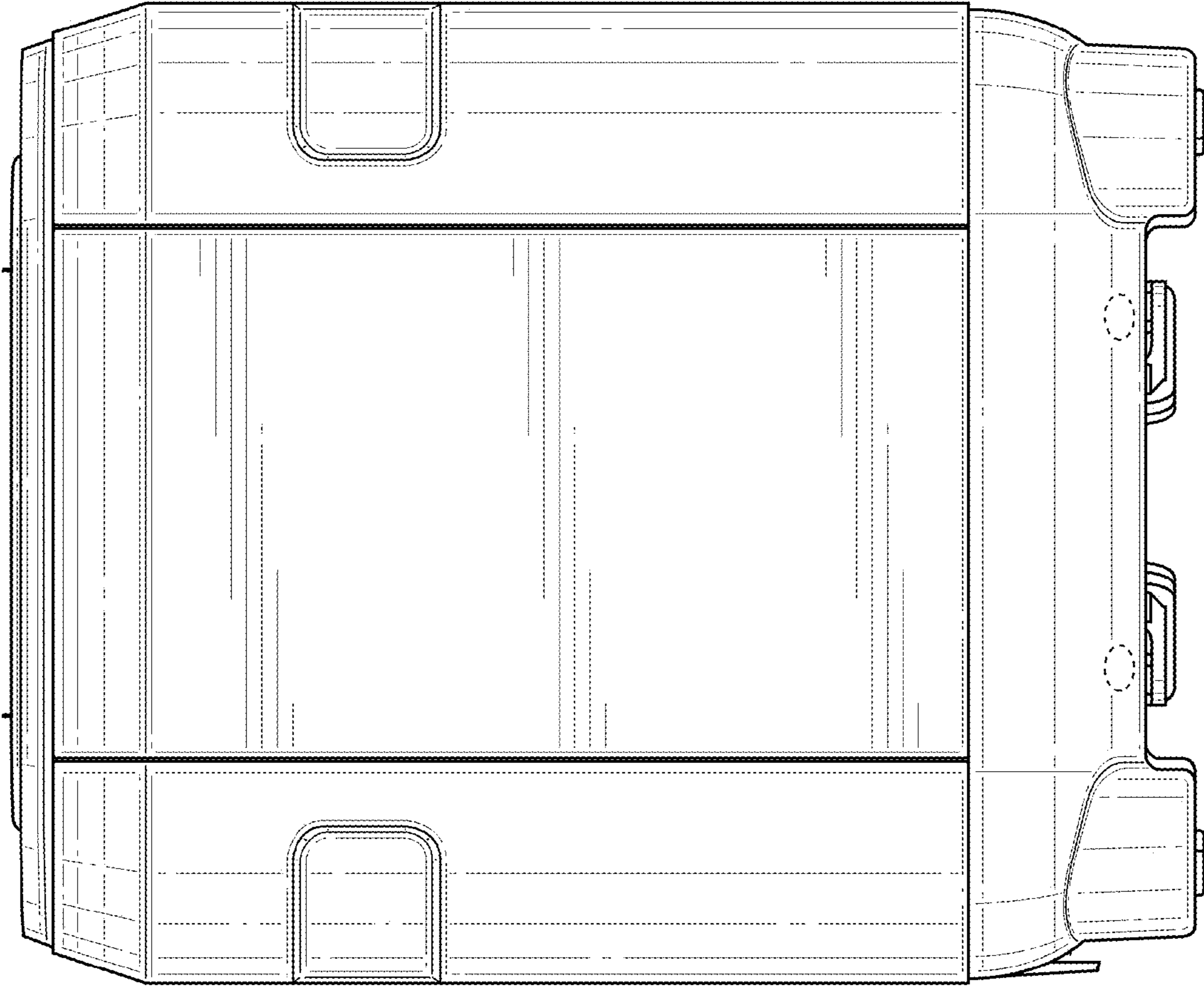


FIG. 3

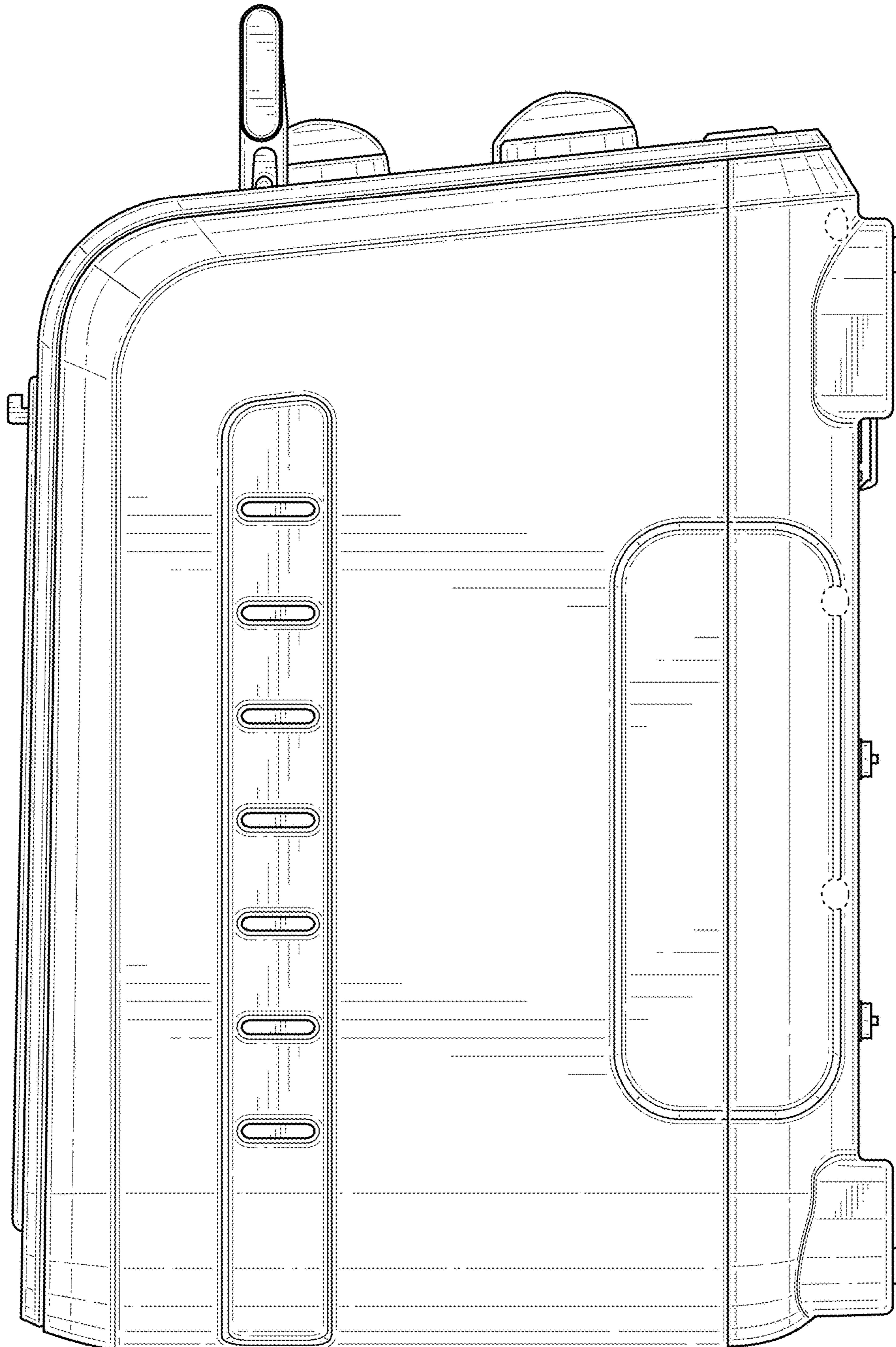


FIG. 4

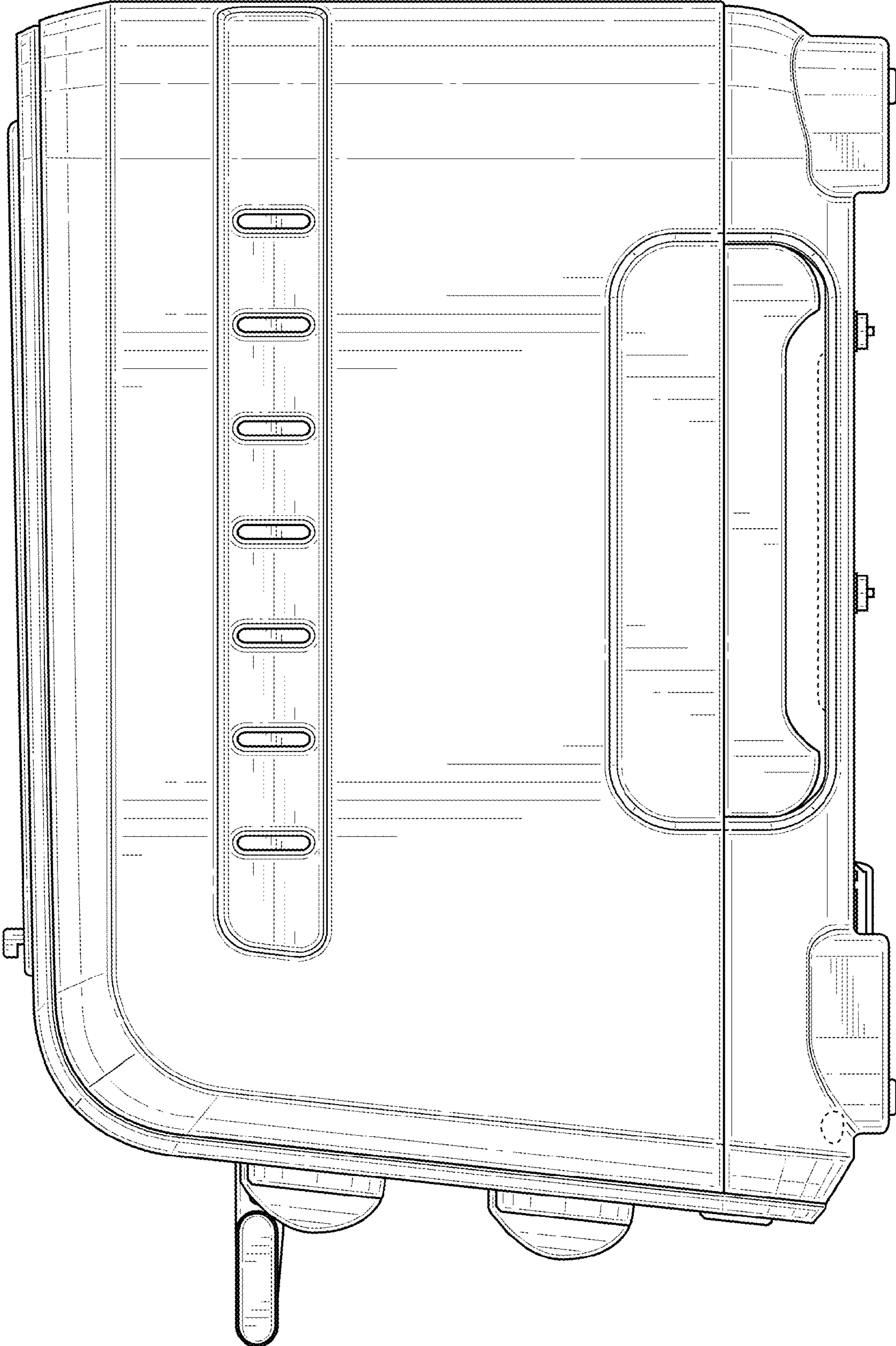


FIG. 5

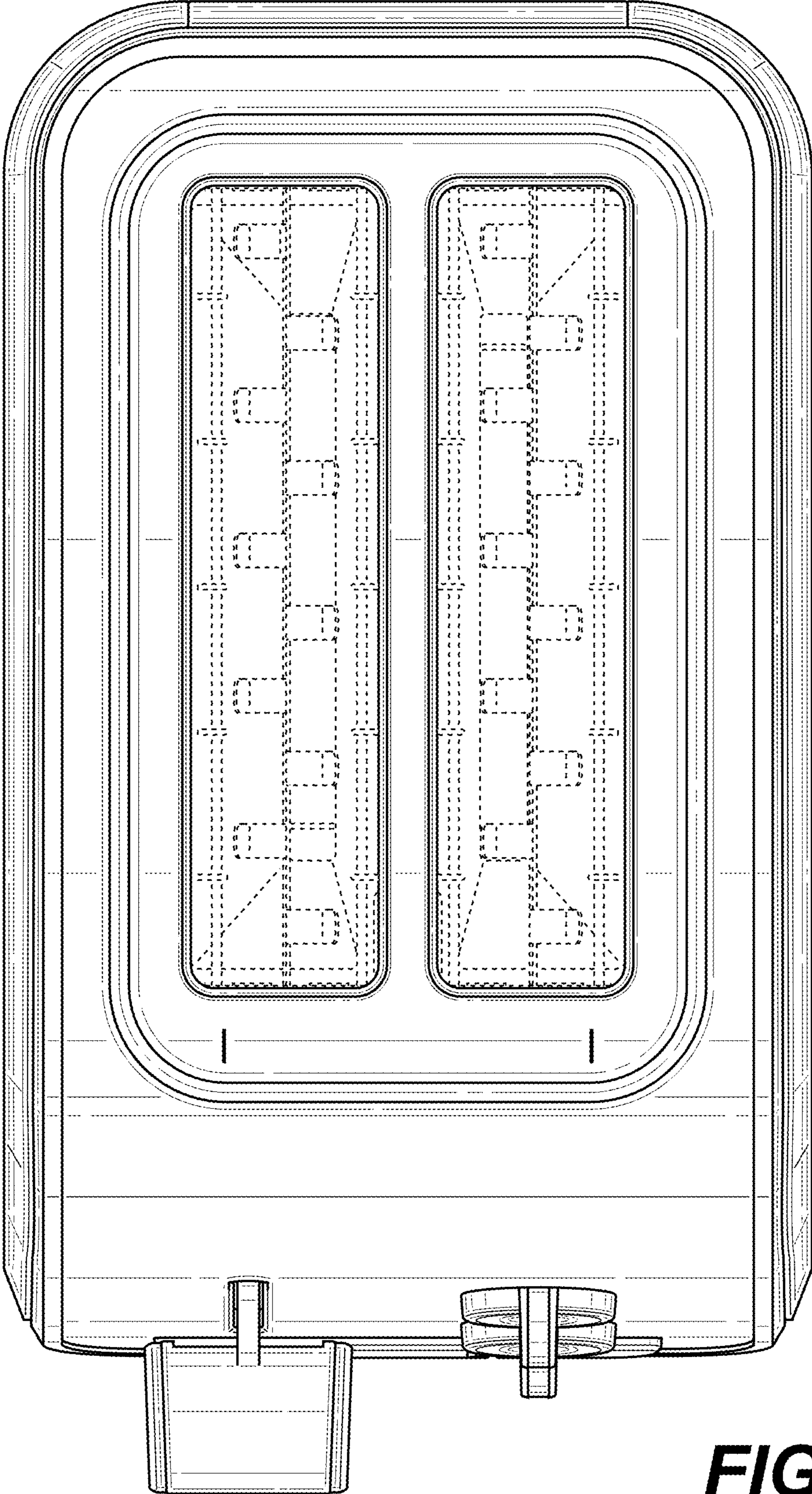


FIG. 6

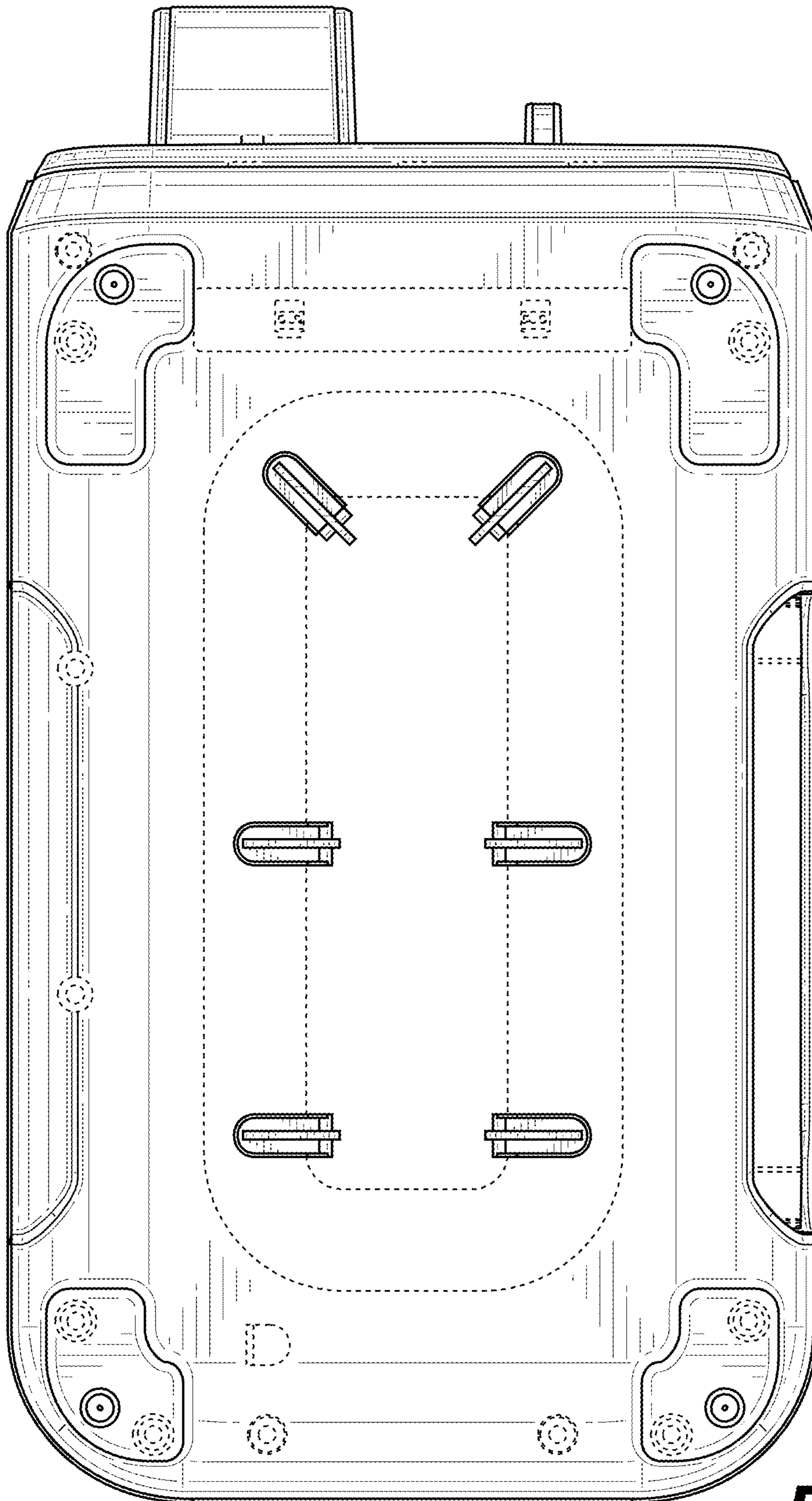


FIG. 7