



US00D937027S

(12) **United States Design Patent** (10) **Patent No.:** **US D937,027 S**
Lee (45) **Date of Patent:** **** Nov. 30, 2021**

(54) **COFFEE MAKER**

OTHER PUBLICATIONS

(71) Applicant: **Sang Jun Lee**, Suwon-si (KR)

Design No. 301023698.0000, Sep. 10, 2019—Korean Intellectual Property Office Publication Date—Sep. 18, 2019 Owner—Lee Sang Jun WIPO, available at <https://www3.wipo.int/designdb/en/index.jsp> (Year: 2019).*

(72) Inventor: **Sang Jun Lee**, Suwon-si (KR)

Presto 02937 Dorothy Electric Rapid Cold Brewer, first available May 29, 2020, Amazon, [online], [site visited Jul. 9, 2020], Available from internet URL: <https://www.amazon.com/Presto-02937-DorothyTM-rapid-brewer/dp/B089B6D4P9> (Year: 2020).*

(**) Term: **15 Years**

Design No. 301101864.0000, Mar. 22, 2021—Korean Intellectual Property Office Publication Date—Mar. 25, 2021 Owner—Lee Sang Jun WIPO, available at <https://www3.wipo.int/designdb/en/index.jsp> (Year: 2021).*

(21) Appl. No.: **29/734,974**

(22) Filed: **May 18, 2020**

(51) **LOC (13) Cl.** **07-02**

(52) **U.S. Cl.**

USPC **D7/306**

(58) **Field of Classification Search**

USPC D7/300, 300.1, 301, 304–322, 372–373, D7/386, 387, 397–401, 412, 414, D7/509–511, 538, 589–590, 598, D7/601–602, 605, 608, 629; D3/202; D20/4–5; D23/201; D24/197, 216, D24/219–220, 224; 99/275; 222/129.1

CPC A47J 31/00–605; A47J 42/00; A47J 42/02; A47J 42/04; A47J 42/06; A47J 42/08; A47J 42/10; A47J 42/12; A47J 42/14; A47J 42/16; A47J 42/18; A47J 42/20

See application file for complete search history.

* cited by examiner

Primary Examiner — Mary Ann Calabrese

Assistant Examiner — Natalya M Rapundalo

(74) *Attorney, Agent, or Firm* — Cantor Colburn LLP

(57) **CLAIM**

The ornamental design for a coffee maker, as shown and described.

DESCRIPTION

FIG. 1 is a front perspective view of a coffee maker, showing my new design;

FIG. 2 is a front view thereof;

FIG. 3 is a rear view thereof;

FIG. 4 is a left-side view thereof;

FIG. 5 is a right-side view thereof;

FIG. 6 is a top view thereof;

FIG. 7 is a bottom view thereof; and,

FIG. 8 is another perspective view thereof in an environment of use.

The broken lines in the figures depict portions of the coffee maker and environmental subject matter that form no part of the claimed design.

(56) **References Cited**

U.S. PATENT DOCUMENTS

D220,579 S *	4/1971	Wickenberg	D7/309
D258,085 S *	1/1981	Porteous	D24/221
D276,785 S *	12/1984	Cleland	D7/367
D446,420 S *	8/2001	Donnell	D7/396.2
D455,607 S *	4/2002	Johnson	D7/387
D491,012 S *	6/2004	Rogers	D7/364
D733,312 S *	6/2015	Schroer	D24/220
D745,181 S *	12/2015	Schroer	D24/220
D824,723 S *	8/2018	Averty	D7/396.6
D873,597 S *	1/2020	Fisher Wong	D7/309
D901,226 S *	11/2020	Shen	D7/309

1 Claim, 8 Drawing Sheets

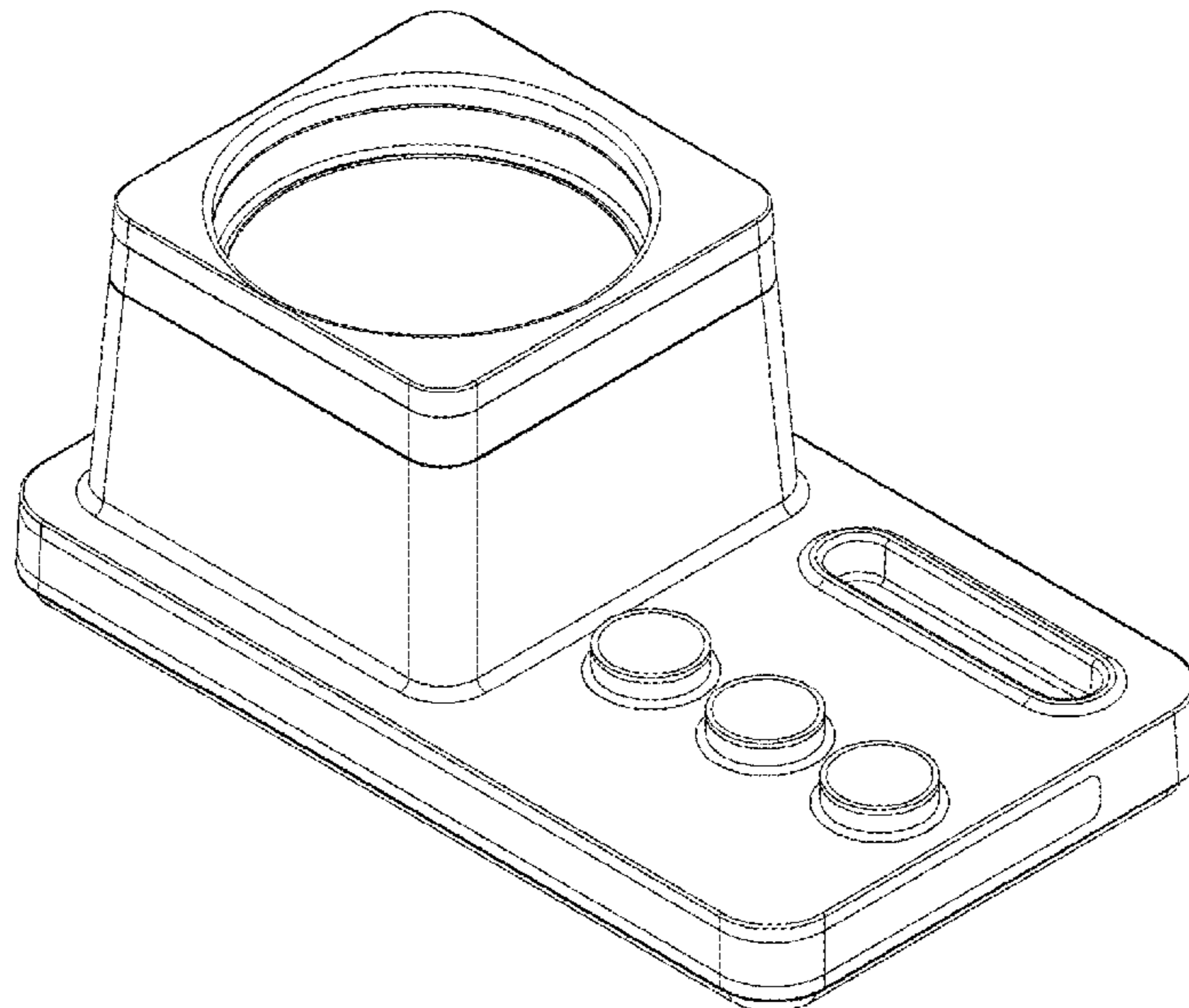


FIG. 1

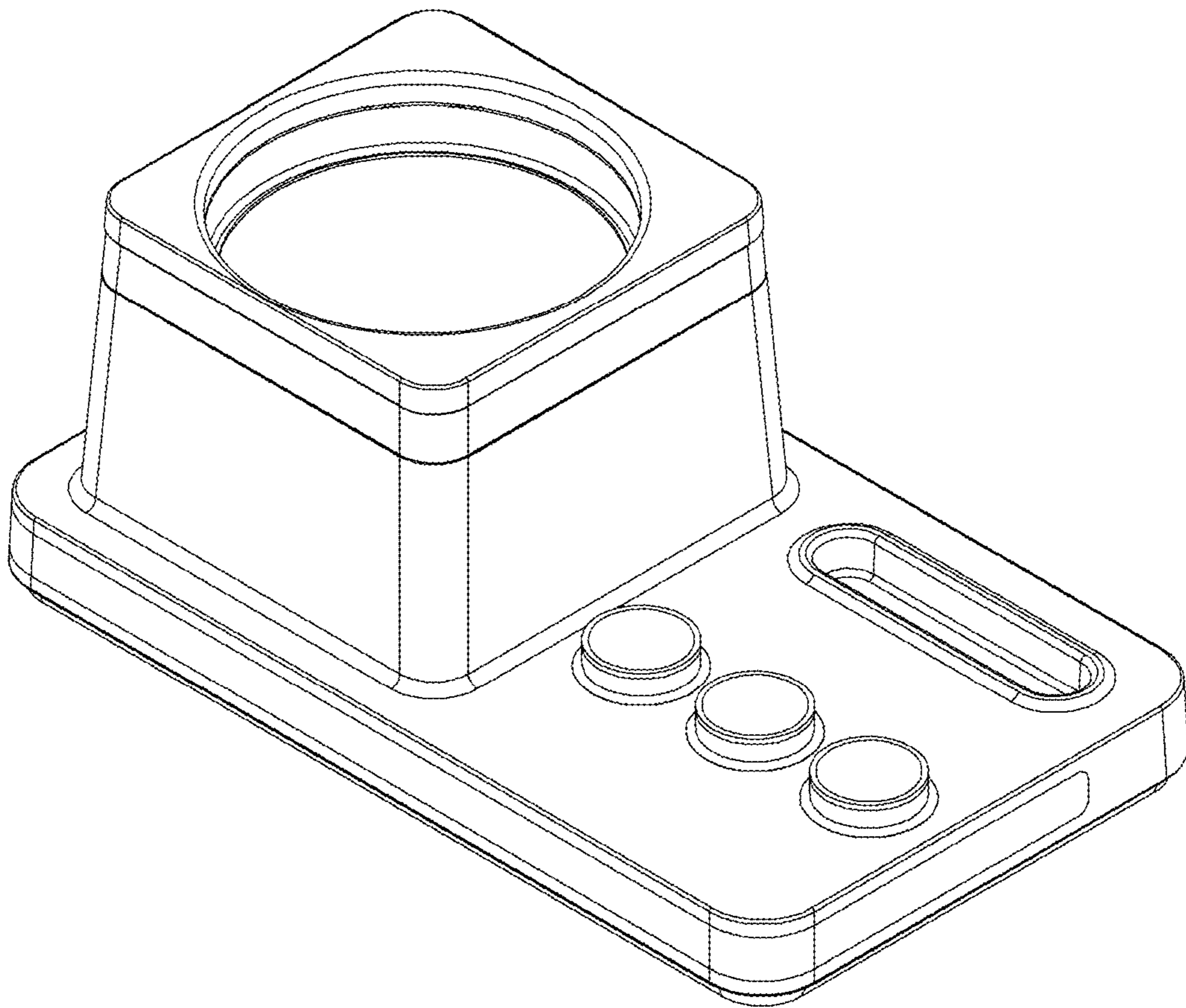


FIG .2

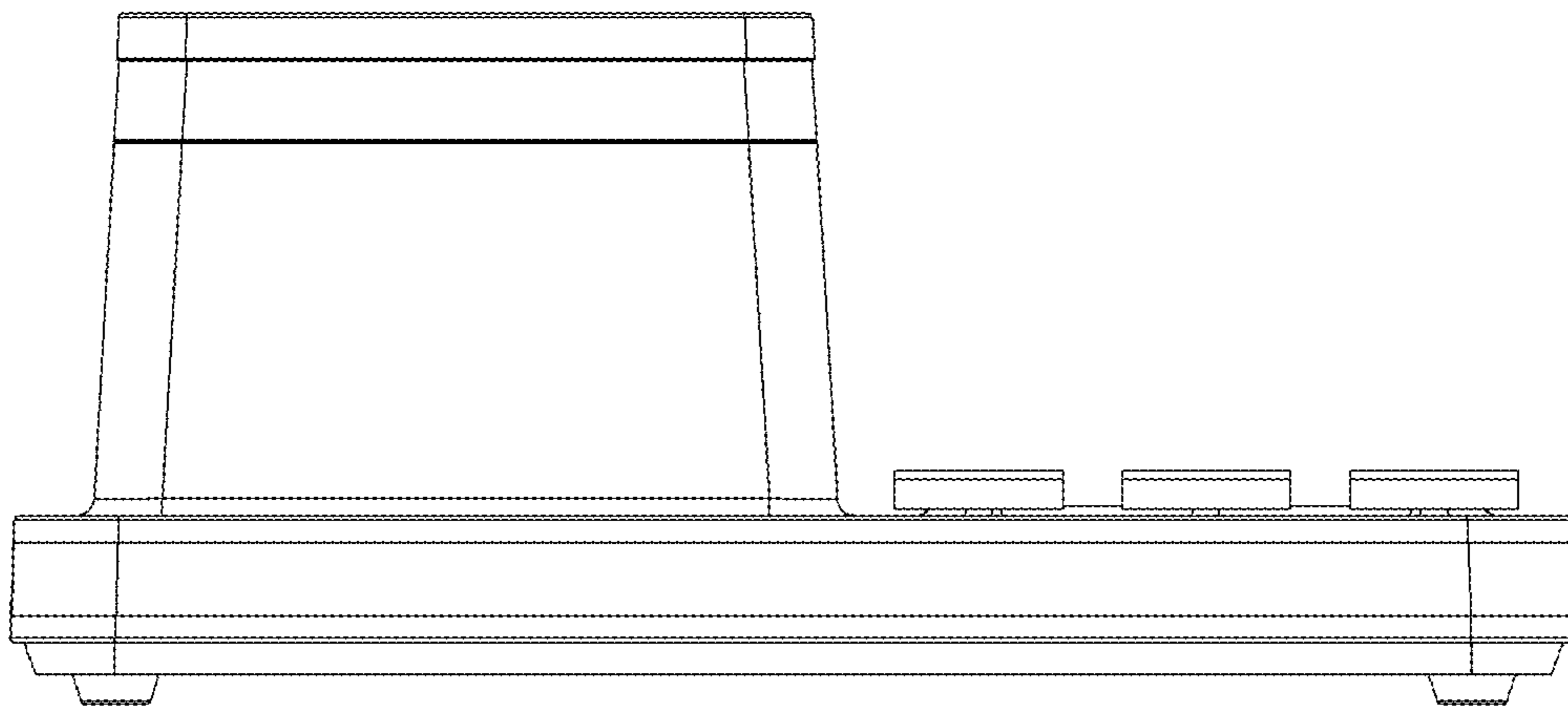


FIG. 3

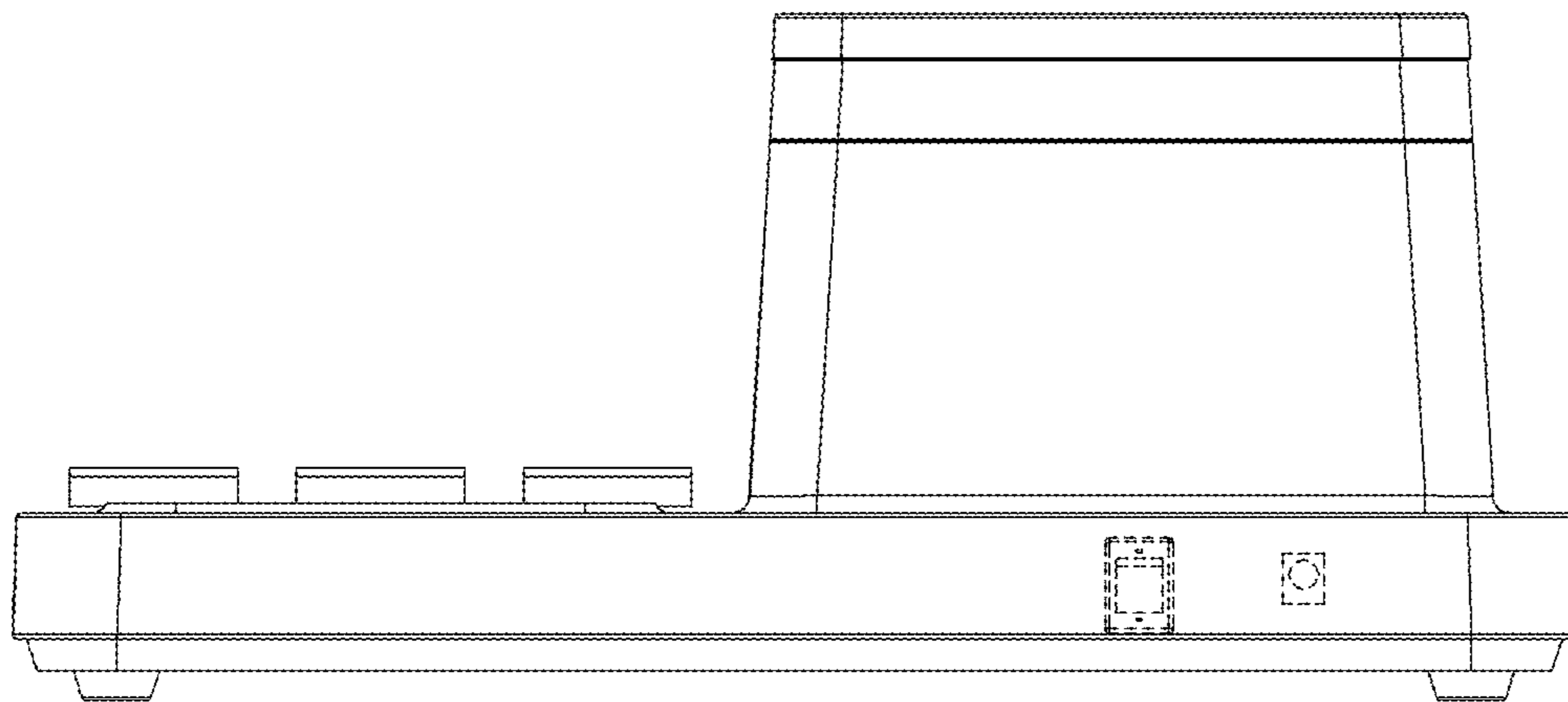


FIG. 4

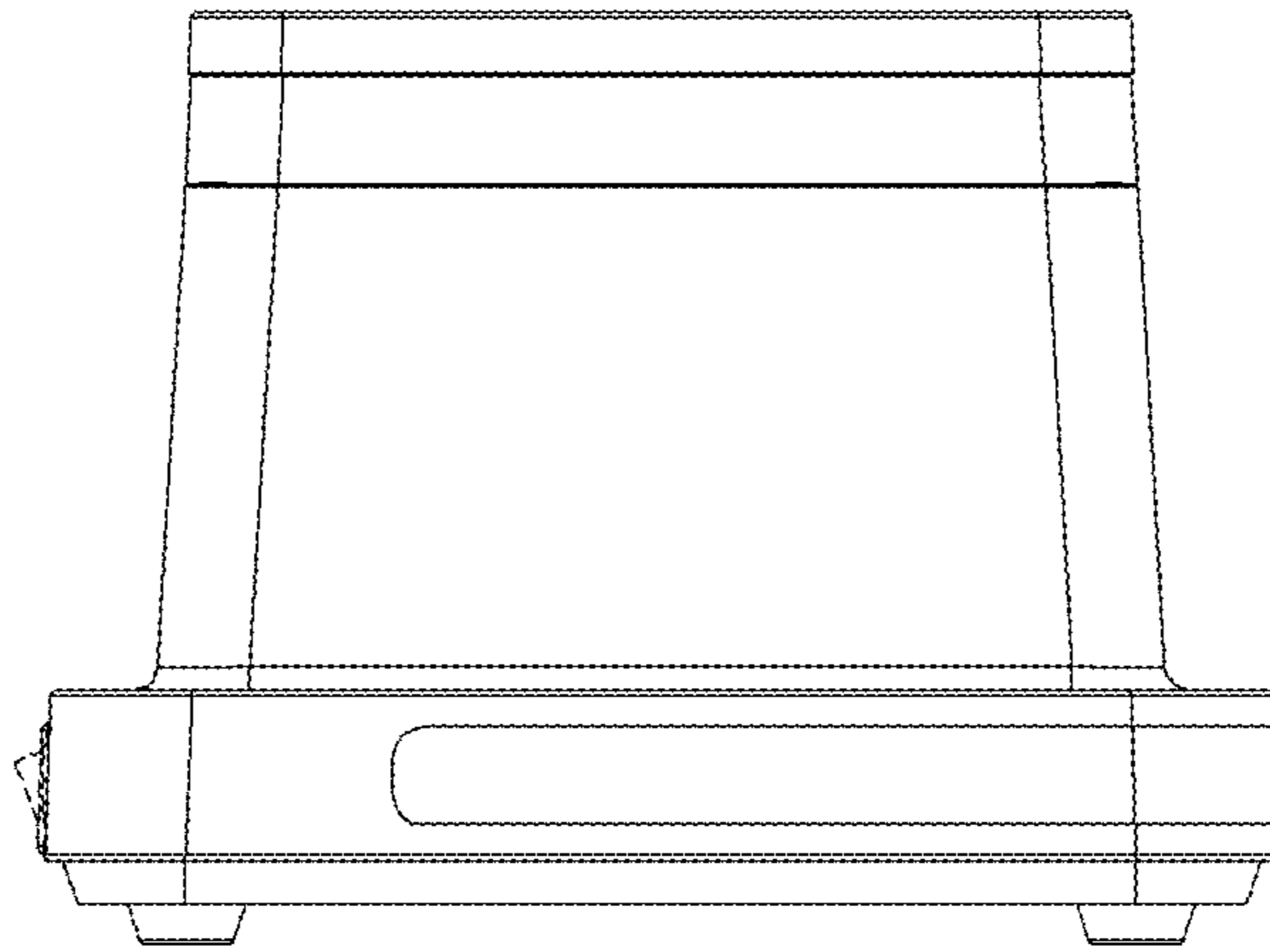


FIG. 5

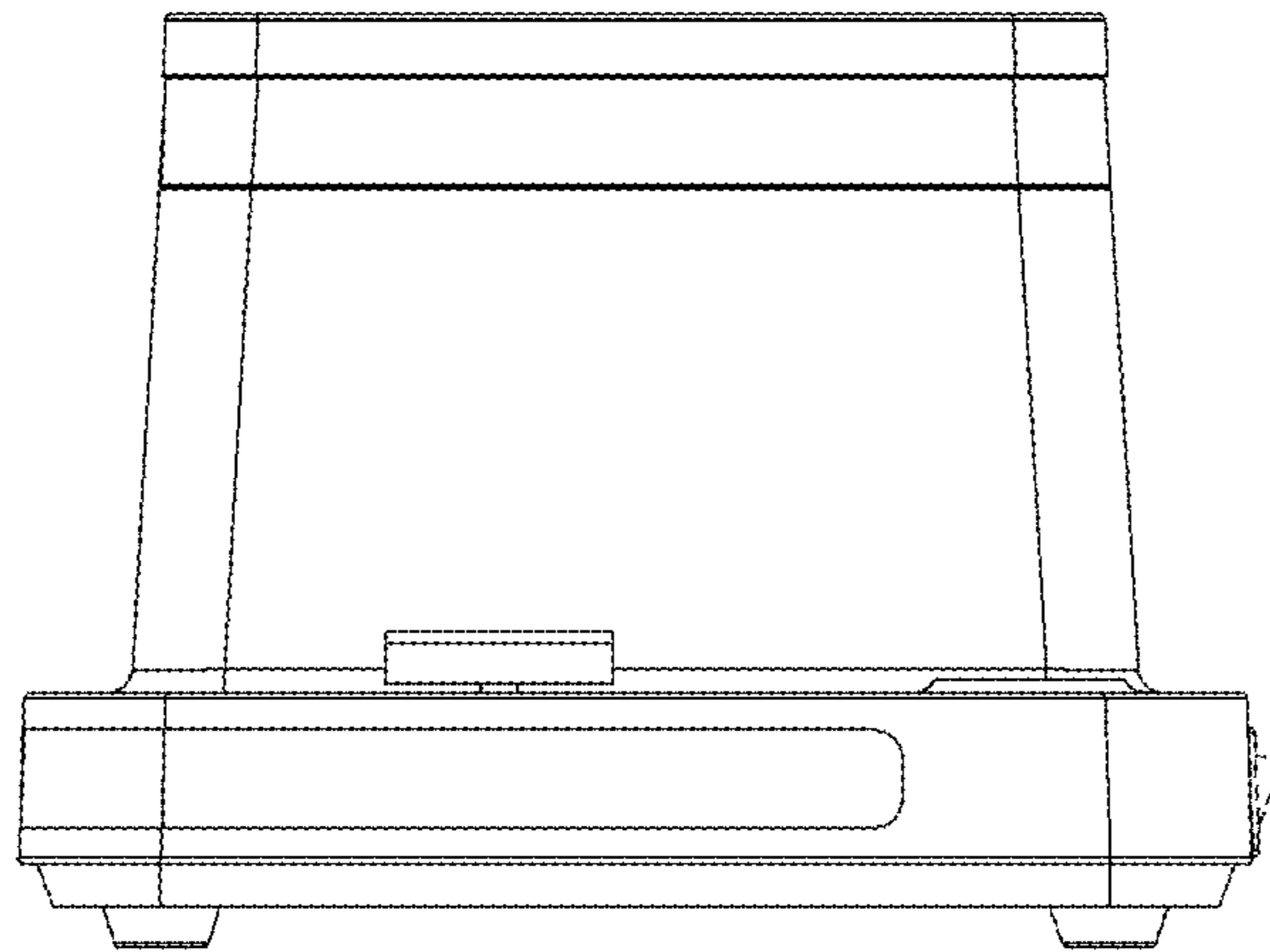


FIG. 6

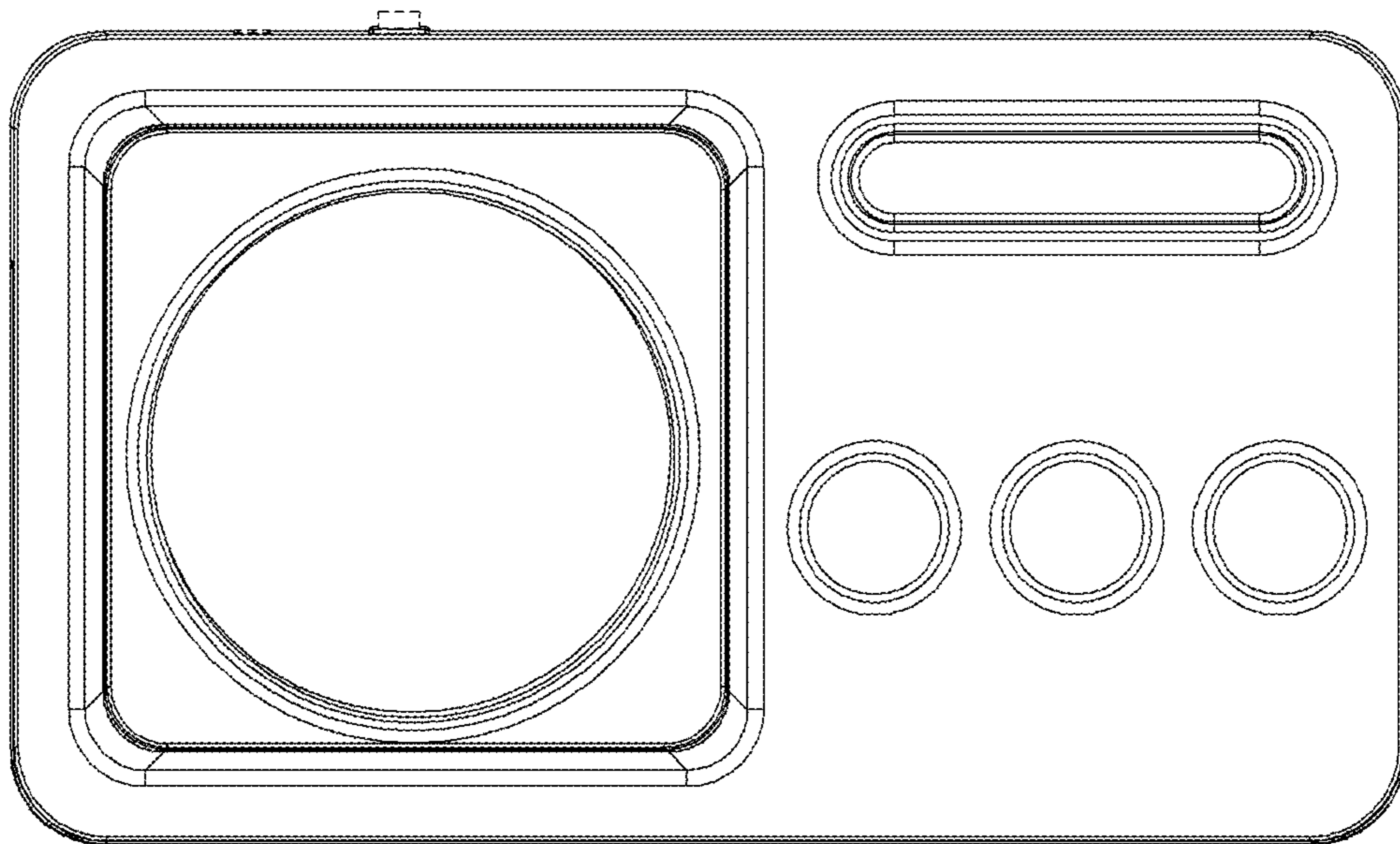


FIG .7

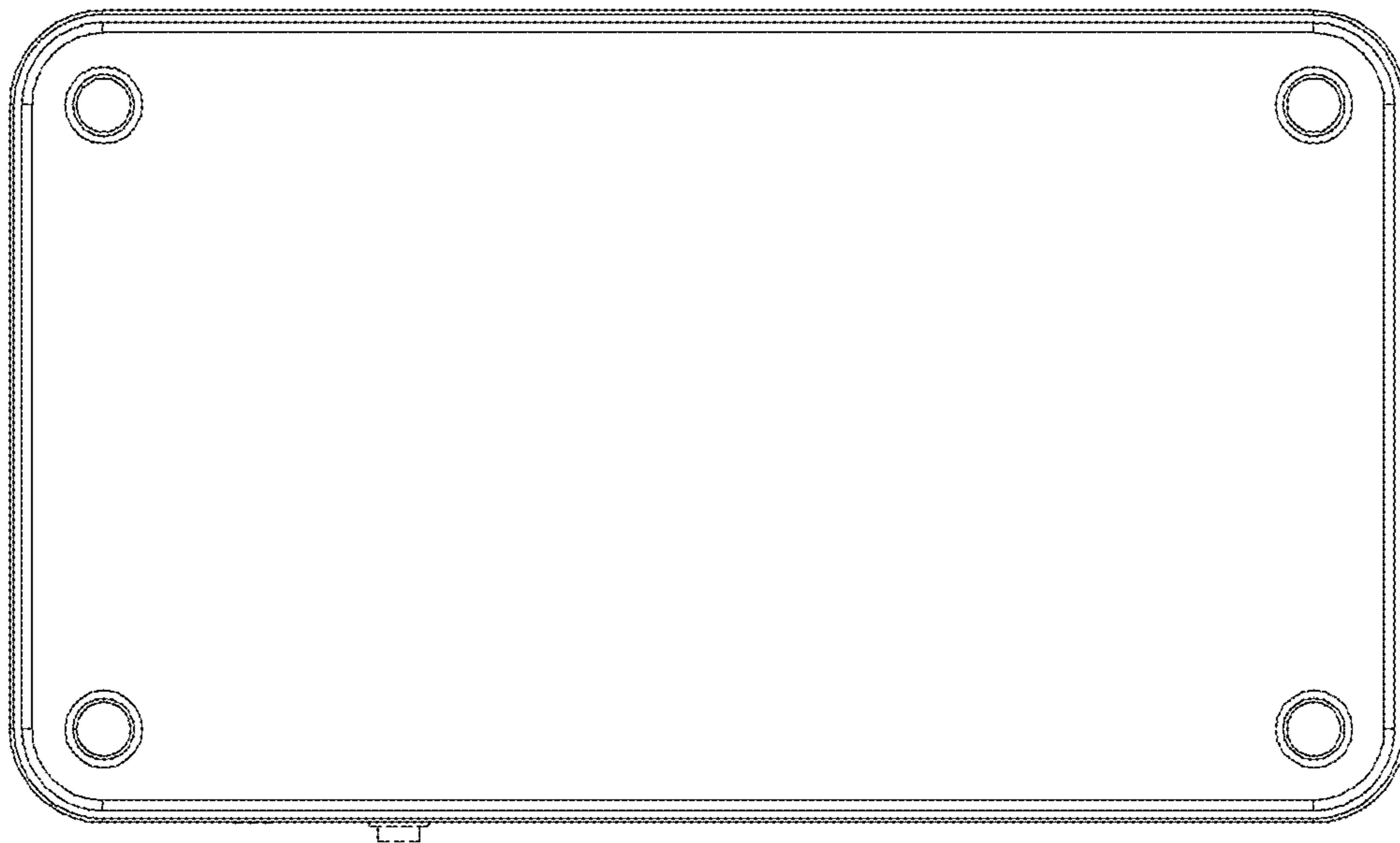


FIG. 8

