



US00D937022S

(12) **United States Design Patent** (10) **Patent No.:** **US D937,022 S**
Yuk et al. (45) **Date of Patent:** **** Nov. 30, 2021**

(54) **FRONT PANEL FOR DESK**

(56) **References Cited**

(71) Applicant: **LG ELECTRONICS INC.**, Seoul (KR)

U.S. PATENT DOCUMENTS

(72) Inventors: **Jimin Yuk**, Seoul (KR); **Eunkyung Noh**, Seoul (KR); **Jaemyung Lim**, Seoul (KR); **Hojae Jung**, Seoul (KR); **Keunho Ju**, Seoul (KR); **Jeongguen Choi**, Seoul (KR); **Deung Hwangbo**, Seoul (KR)

D245,655 S * 9/1977 Friedrich D6/703
D328,680 S * 8/1992 Zapf D6/707.19
9,375,082 B2 * 6/2016 Parshad A47B 13/02
D871,800 S * 1/2020 Williams D6/643.1
D891,152 S * 7/2020 Papic D6/642
D917,946 S * 5/2021 Hill A47B 13/02
D6/714
D930,559 S * 9/2021 Diboine D12/415

* cited by examiner

(73) Assignee: **LG Electronics Inc.**, Seoul (KR)

Primary Examiner — Mary Ann Calabrese

(**) Term: **15 Years**

(74) *Attorney, Agent, or Firm* — Birch, Stewart, Kolasch & Birch, LLP

(21) Appl. No.: **29/719,894**

(57) **CLAIM**

We claim the ornamental design for a front panel for desk, as shown and described.

(22) Filed: **Jan. 8, 2020**

DESCRIPTION

(30) **Foreign Application Priority Data**

Jul. 25, 2019 (KR) 30-2019-0035844

(51) **LOC (13) Cl.** **06-06**

(52) **U.S. Cl.**
USPC **D6/714**

(58) **Field of Classification Search**
USPC D6/643, 643.1, 653, 654, 702, 703, 704, D6/705, 713, 714
CPC A47B 2021/0321; A47B 2021/035; A47B 2021/0335; A47B 2021/0357; A47B 2200/12

FIG. 1 is a perspective view of a front panel for desk showing the new design;

FIG. 2 is a front elevation view thereof;

FIG. 3 is a rear elevation view thereof;

FIG. 4 is a left-side elevation view thereof;

FIG. 5 is a right-side elevation view thereof;

FIG. 6 is a top plan view thereof;

FIG. 7 is a bottom plan view thereof; and,

FIG. 8 is a perspective view shown in use.

The broken lines in FIG. 8 are included for the purpose of illustrating environment and form no part of the claimed design.

See application file for complete search history.

1 Claim, 8 Drawing Sheets

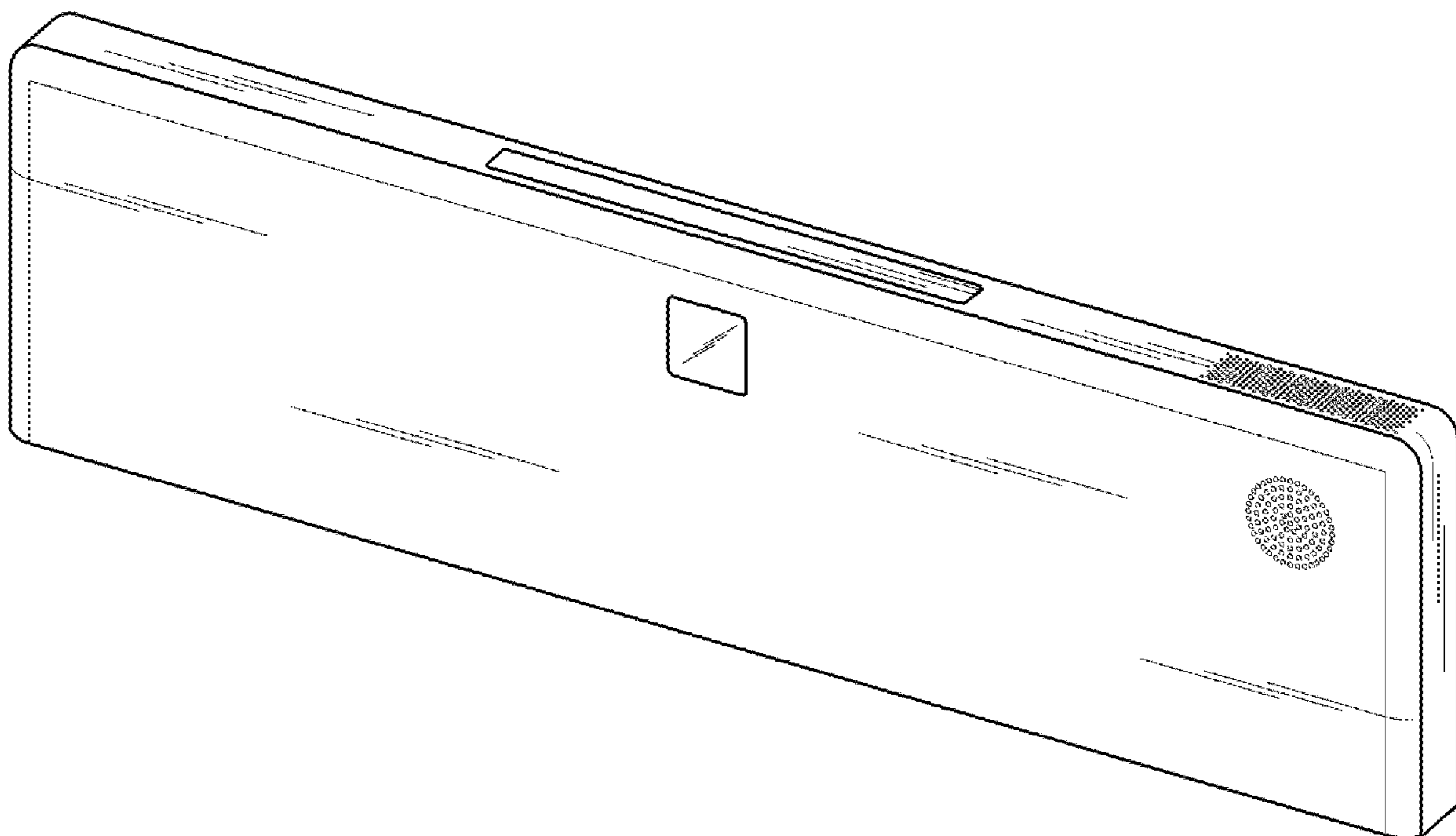


FIG. 1

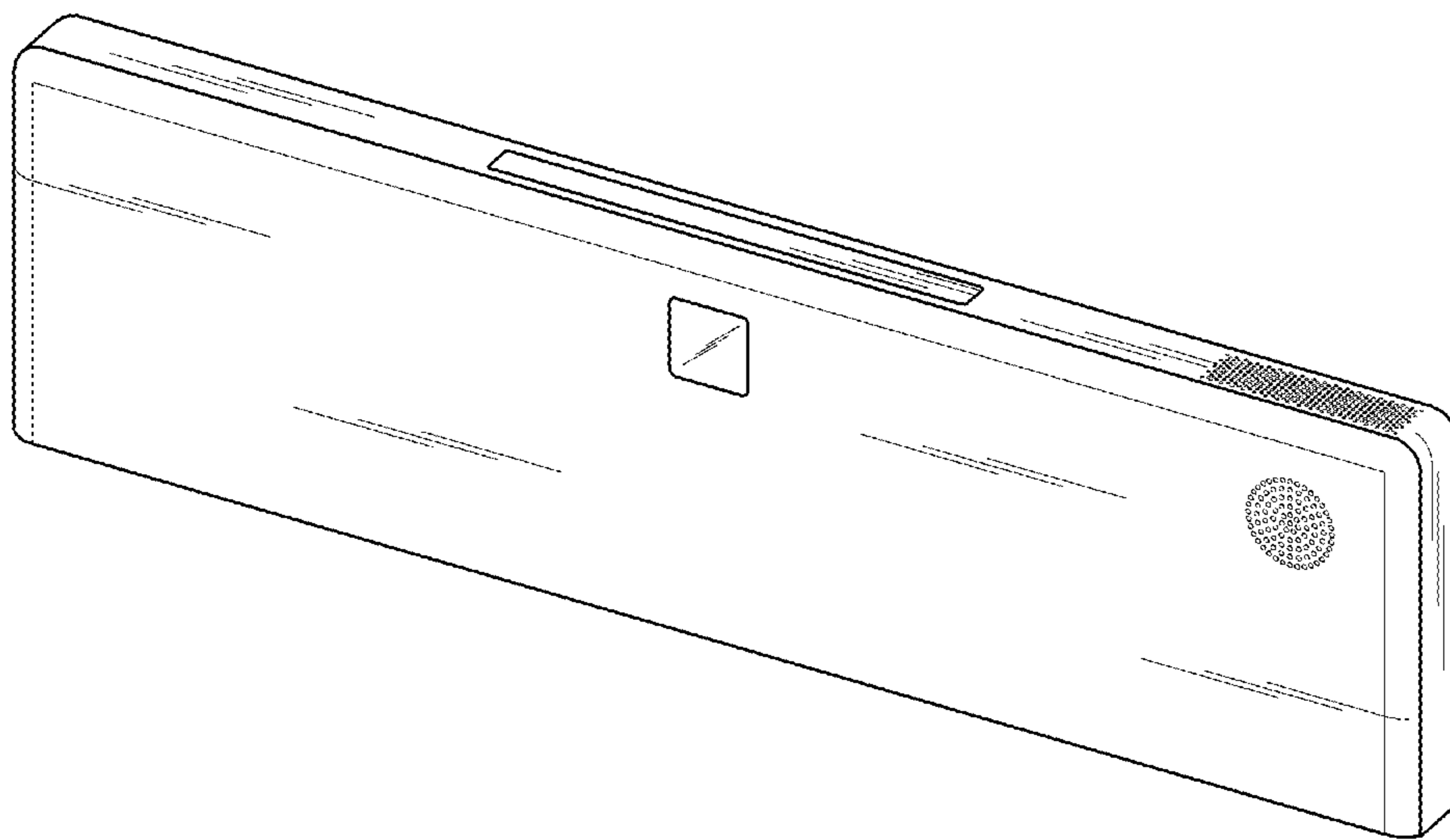


FIG. 2

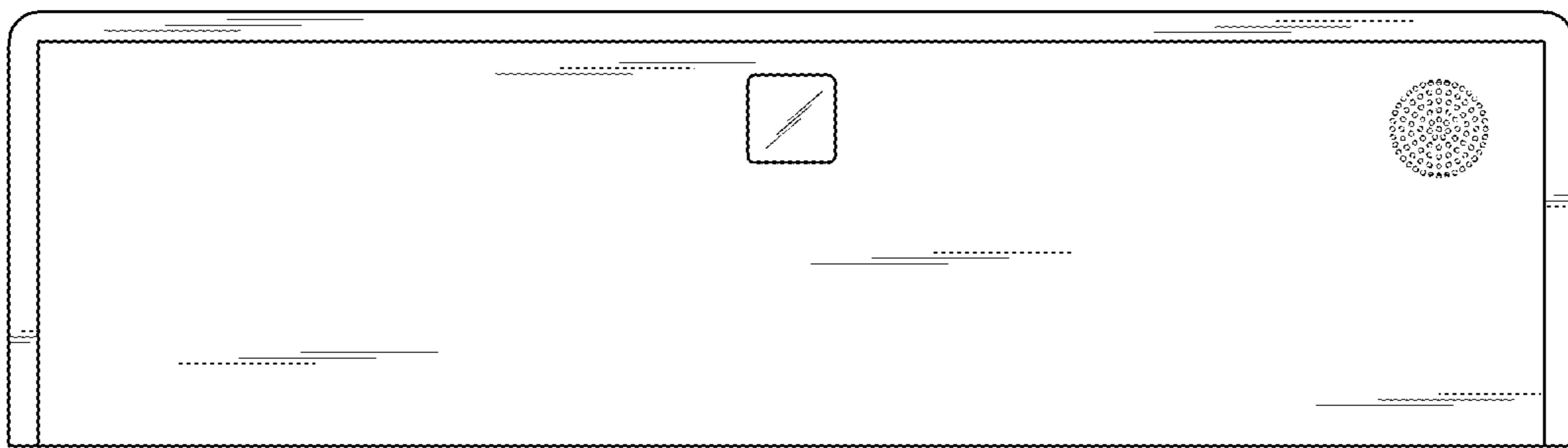


FIG. 3

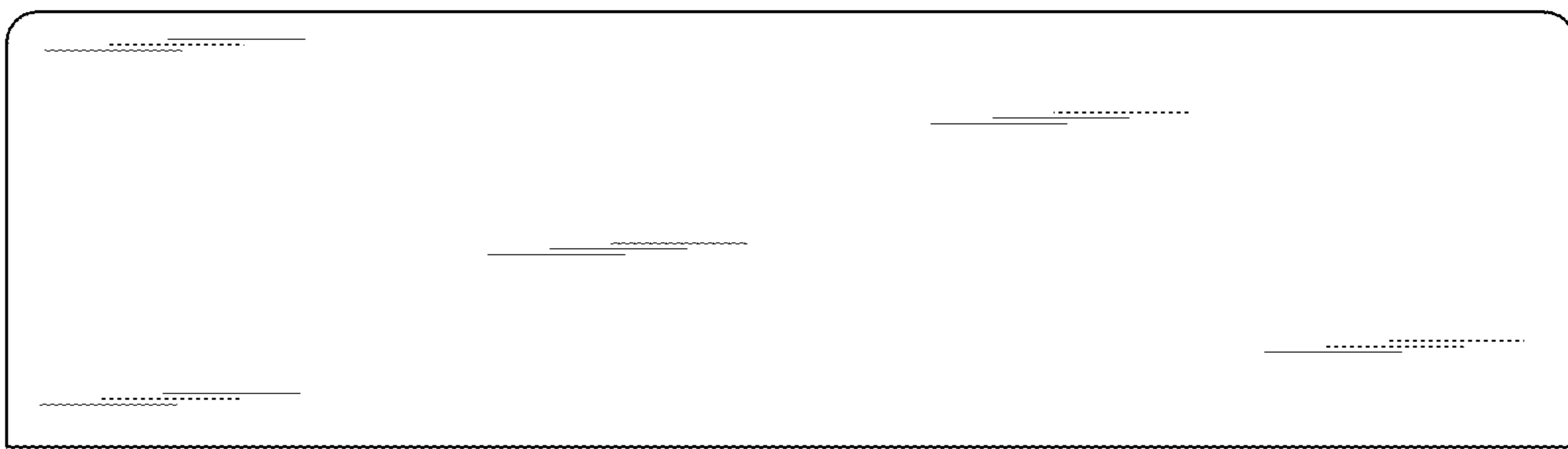


FIG. 4



FIG. 5

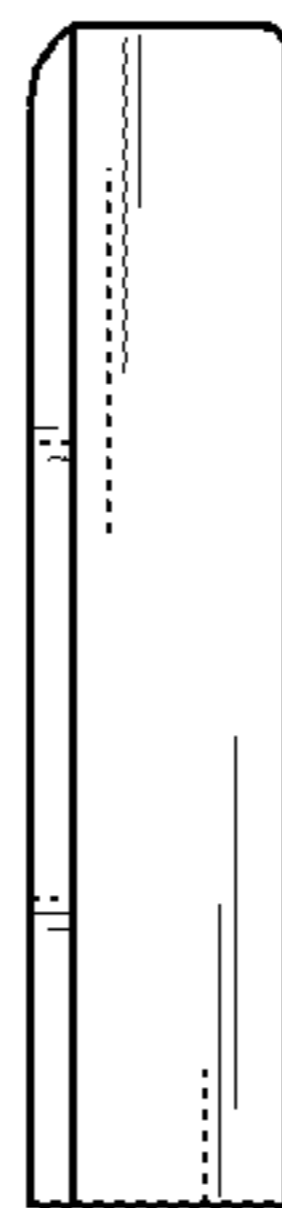


FIG. 6

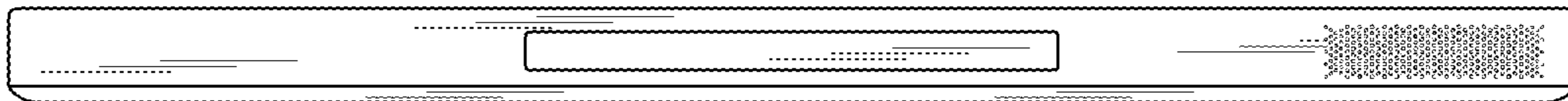


FIG. 7



FIG. 8

