

US00D937020S

(12) **United States Design Patent** (10) **Patent No.:** **US D937,020 S**  
**Kaicker et al.** (45) **Date of Patent:** **\*\* Nov. 30, 2021**

(54) **BRUSH CLIP**  
(71) Applicant: **Anisa International, Inc.**, Atlanta, GA (US)

(72) Inventors: **Anisa Telwar Kaicker**, Atlanta, GA (US); **Shuai Chen**, Atlanta, GA (US)

(73) Assignee: **Anisa International, Inc.**, Atlanta, GA (US)

(\*\*) Term: **15 Years**

(21) Appl. No.: **29/734,568**

(22) Filed: **May 13, 2020**

(51) **LOC (13) Cl.** ..... **06-06**

(52) **U.S. Cl.**  
USPC ..... **D6/682.3**

(58) **Field of Classification Search**  
USPC ..... D6/315, 672, 673, 512-513, 678, 682, D6/682.1, 682.2, 682.3; D4/116, 199; D8/349, 354, 380, 394, 396  
CPC .. A47F 5/10; A47F 5/16; A47G 29/00; A47G 29/08; B65D 45/16; A46B 9/08; A46B 2200/1046; A46B 17/00; A46B 17/02; A46B 17/08

See application file for complete search history.

(56) **References Cited**

**U.S. PATENT DOCUMENTS**

1,286,014 A 11/1918 Jetmund  
2,533,354 A 12/1950 Comfort  
2,555,053 A 5/1951 Myrick et al.  
D241,314 S \* 9/1976 Hug ..... D8/395  
D279,851 S \* 7/1985 Willis ..... D6/682.3  
D292,309 S \* 10/1987 Baron ..... D23/386  
4,884,701 A 12/1989 Nymark et al.  
5,016,773 A 5/1991 Lockwood  
5,332,090 A 7/1994 Tucker  
D404,285 S \* 1/1999 Skudelny ..... D8/354  
D408,272 S \* 4/1999 Caron ..... D8/381  
5,947,322 A 9/1999 Ho

6,419,194 B1 7/2002 Losacco et al.  
D470,937 S \* 2/2003 Gary ..... D24/138  
D498,793 S 11/2004 Stoddard et al.  
6,926,151 B1 8/2005 Perry et al.  
D510,822 S \* 10/2005 Spiers ..... D6/682.3  
D515,406 S \* 2/2006 Groff ..... D8/380

(Continued)

**FOREIGN PATENT DOCUMENTS**

EP 1849623 10/2007  
EP 3031354 6/2016

(Continued)

**OTHER PUBLICATIONS**

amazon.com; Article entitled: Levilan Champagne Gold Glass Brush Holder Makeup Organizer Vintage Brass Edge Cosmetic Organizer Makeup Decoration Make up Brushes Holder (Geometry), located at <[https://www.amazon.com/dp/B07G323VC8/ref=sspa\\_dk\\_detail\\_9?psc=1&pd\\_rd\\_i=B07G323VC8&pd\\_rd\\_w=QpSA7&pf\\_rd\\_p=48d372c1-f7e1-4b8b-9d%E2%80%A6](https://www.amazon.com/dp/B07G323VC8/ref=sspa_dk_detail_9?psc=1&pd_rd_i=B07G323VC8&pd_rd_w=QpSA7&pf_rd_p=48d372c1-f7e1-4b8b-9d%E2%80%A6)>, accessed on May 4, 2020, 6 pgs.

(Continued)

*Primary Examiner* — Kelley A Donnelly  
(74) *Attorney, Agent, or Firm* — Taylor English Duma LLP

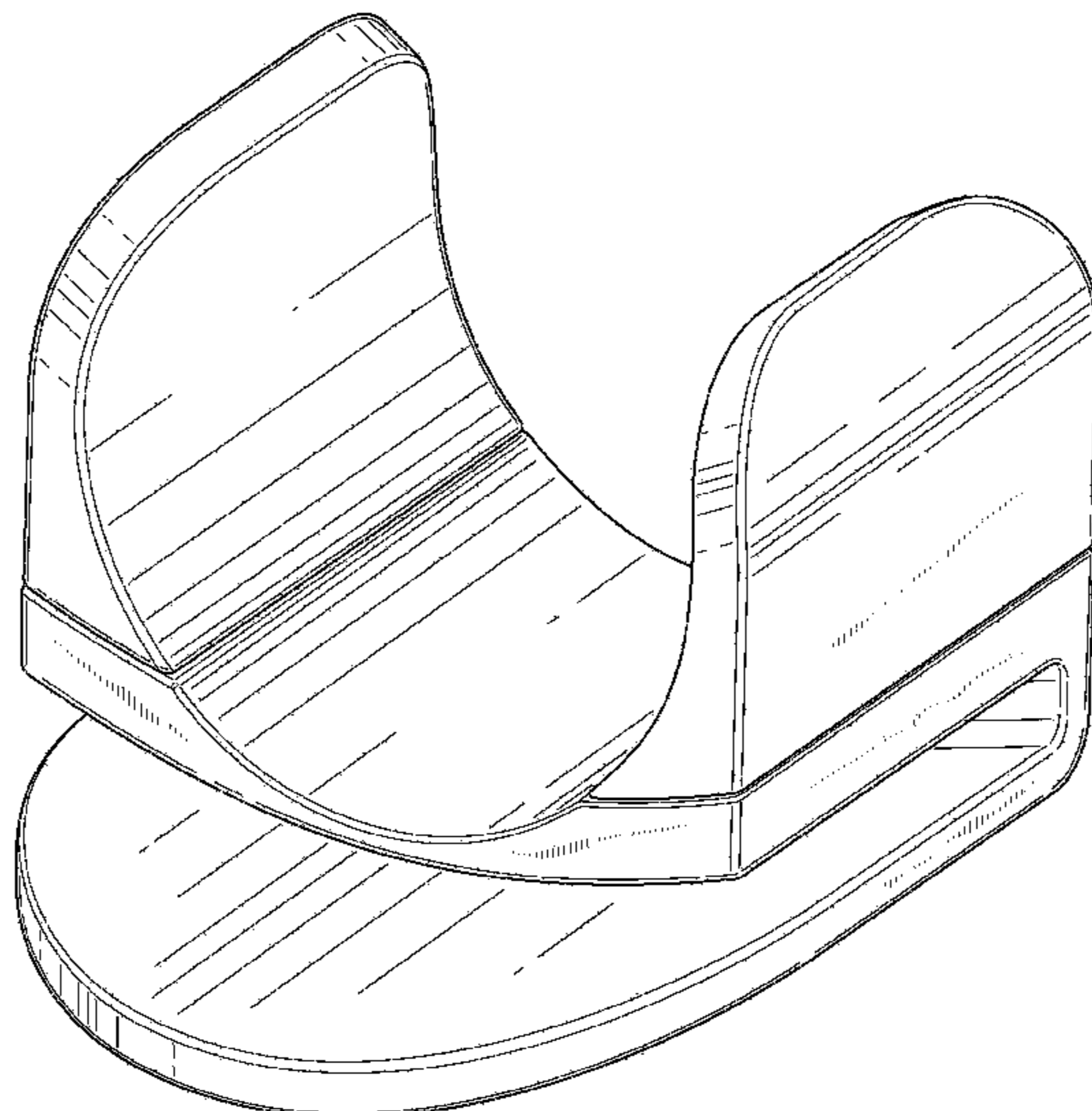
(57) **CLAIM**

We claim the ornamental design for a brush clip, as shown and described.

**DESCRIPTION**

FIG. 1 is a perspective view of an aspect of the brush clip. FIG. 2 is a rear elevation view thereof. FIG. 3 is a front elevation view thereof. FIG. 4 is a left-side elevation view thereof. FIG. 5 is a right-side elevation view thereof. FIG. 6 is a bottom plan view thereof; and, FIG. 7 is a top plan view thereof.

**1 Claim, 4 Drawing Sheets**



(56)

**References Cited**

U.S. PATENT DOCUMENTS

D560,482 S \* 1/2008 Casteel ..... D8/395  
 D578,869 S \* 10/2008 Fernandez ..... D8/354  
 D648,211 S \* 11/2011 Weaver ..... D8/396  
 D666,026 S \* 8/2012 Alvarez ..... D6/682.3  
 8,336,721 B2 12/2012 Traldi  
 D682,464 S \* 5/2013 Gary ..... D26/142  
 D690,997 S \* 10/2013 Zemel ..... D7/590  
 D702,531 S \* 4/2014 Eddisford ..... D8/349  
 D729,542 S \* 5/2015 Dontfraid ..... D6/534  
 9,314,315 B2 4/2016 Wong  
 D765,449 S \* 9/2016 Buller ..... D6/682.3  
 D773,287 S \* 12/2016 Lida ..... D8/363  
 D775,534 S \* 1/2017 Turksu ..... D10/31  
 9,538,871 B2 1/2017 Renkola  
 D836,431 S \* 12/2018 Frost ..... D8/396  
 D850,811 S \* 6/2019 Alluigi ..... D6/648  
 D875,406 S \* 2/2020 Dixon ..... D4/129  
 D877,485 S \* 3/2020 Rampersaud ..... D3/10  
 D884,280 S \* 5/2020 Pellereau ..... D28/73

D886,991 S \* 6/2020 Kindler ..... D24/128  
 D899,223 S \* 10/2020 Landgren ..... D8/354  
 D904,090 S \* 12/2020 Yang ..... D6/682.3

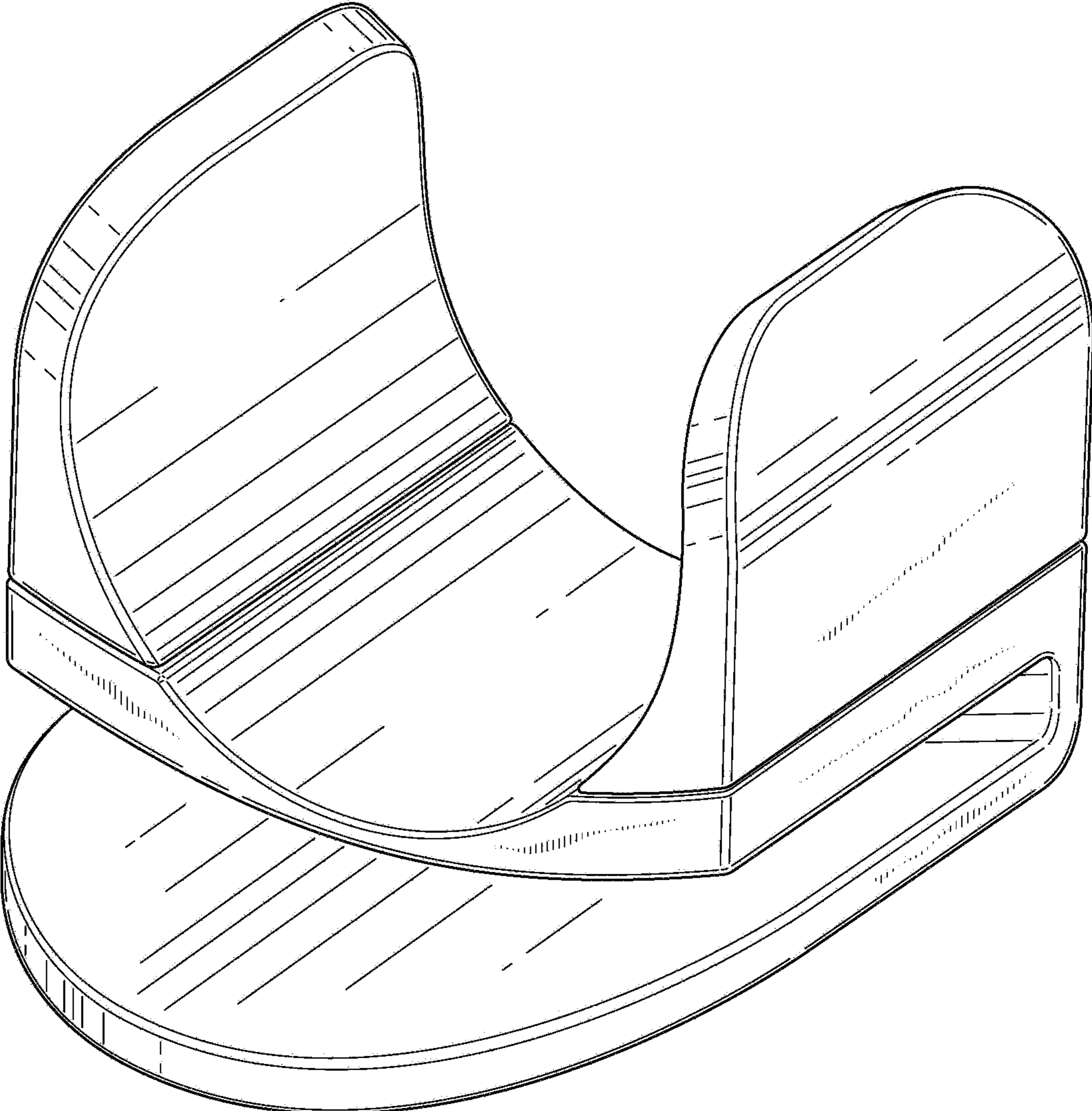
FOREIGN PATENT DOCUMENTS

JP 5724829 5/2015  
 JP 5960406 8/2016  
 WO 2008104625 9/2008

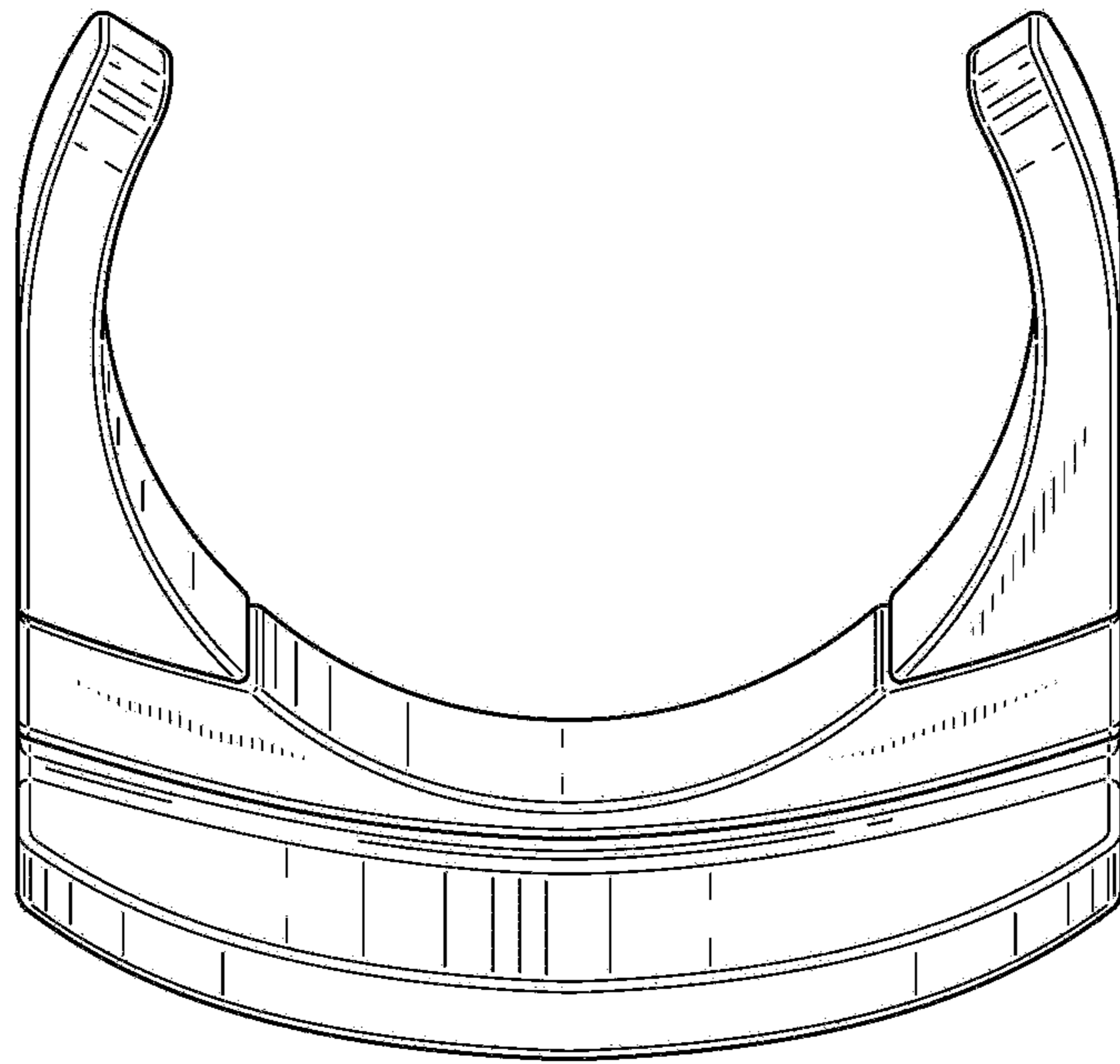
OTHER PUBLICATIONS

amazon.com; Article entitled: "LORMAY Silicone Makeup Brush Organizer + Makeup Brush Cleaning Mat—Brush Holder for Air Drying. Easy to Mount to Wall, Mirror, Dresser or Tile (Mint Green)", located at <[https://www.amazon.com/LORMAY-Organizer-Cleaning-Container-Accessories-Makeup/dp/B07G5TLMFG/ref=cm\\_cr\\_arp\\_d\\_product\\_top?ie=UTF8](https://www.amazon.com/LORMAY-Organizer-Cleaning-Container-Accessories-Makeup/dp/B07G5TLMFG/ref=cm_cr_arp_d_product_top?ie=UTF8)>, accessed on May 4, 2020, 6 pgs.

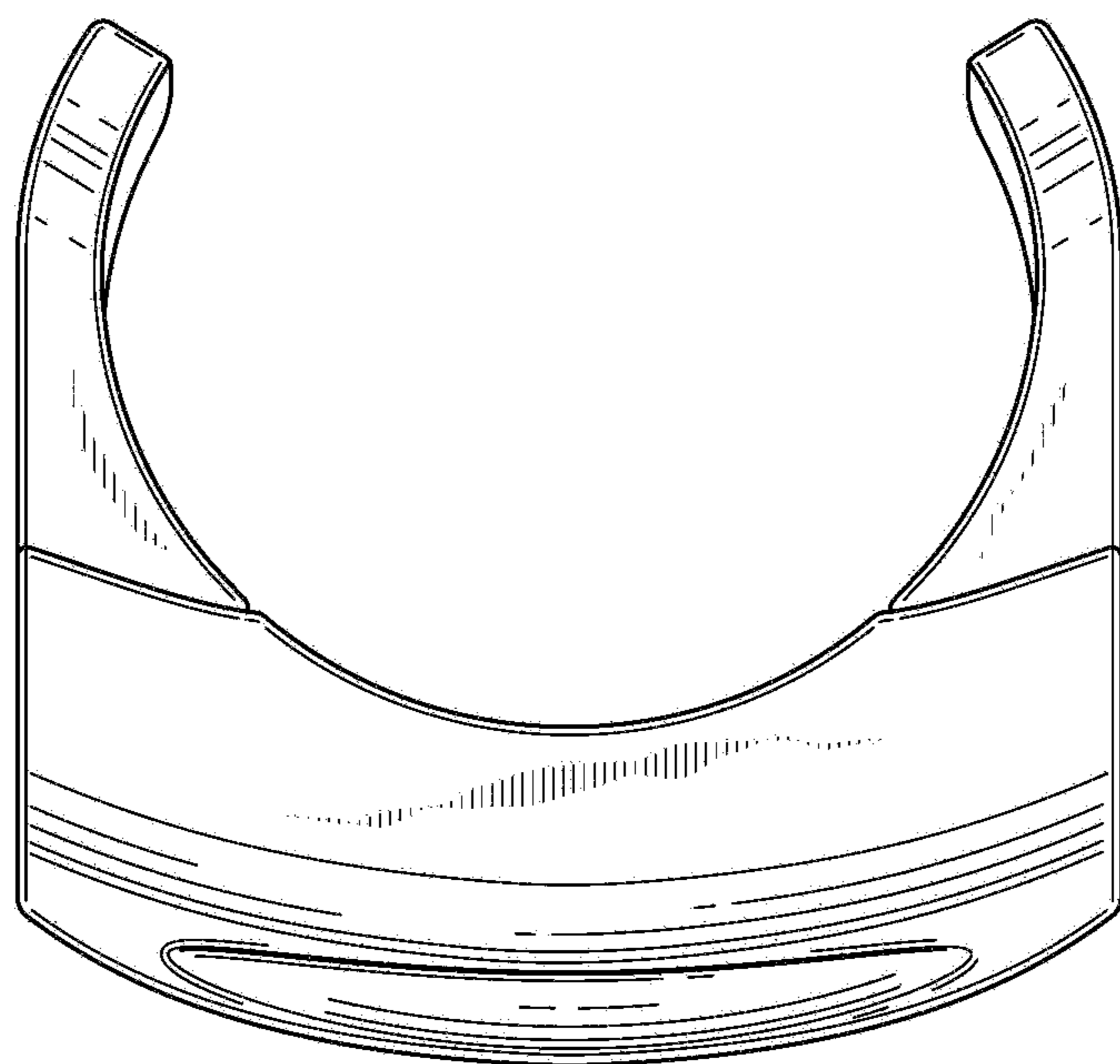
\* cited by examiner



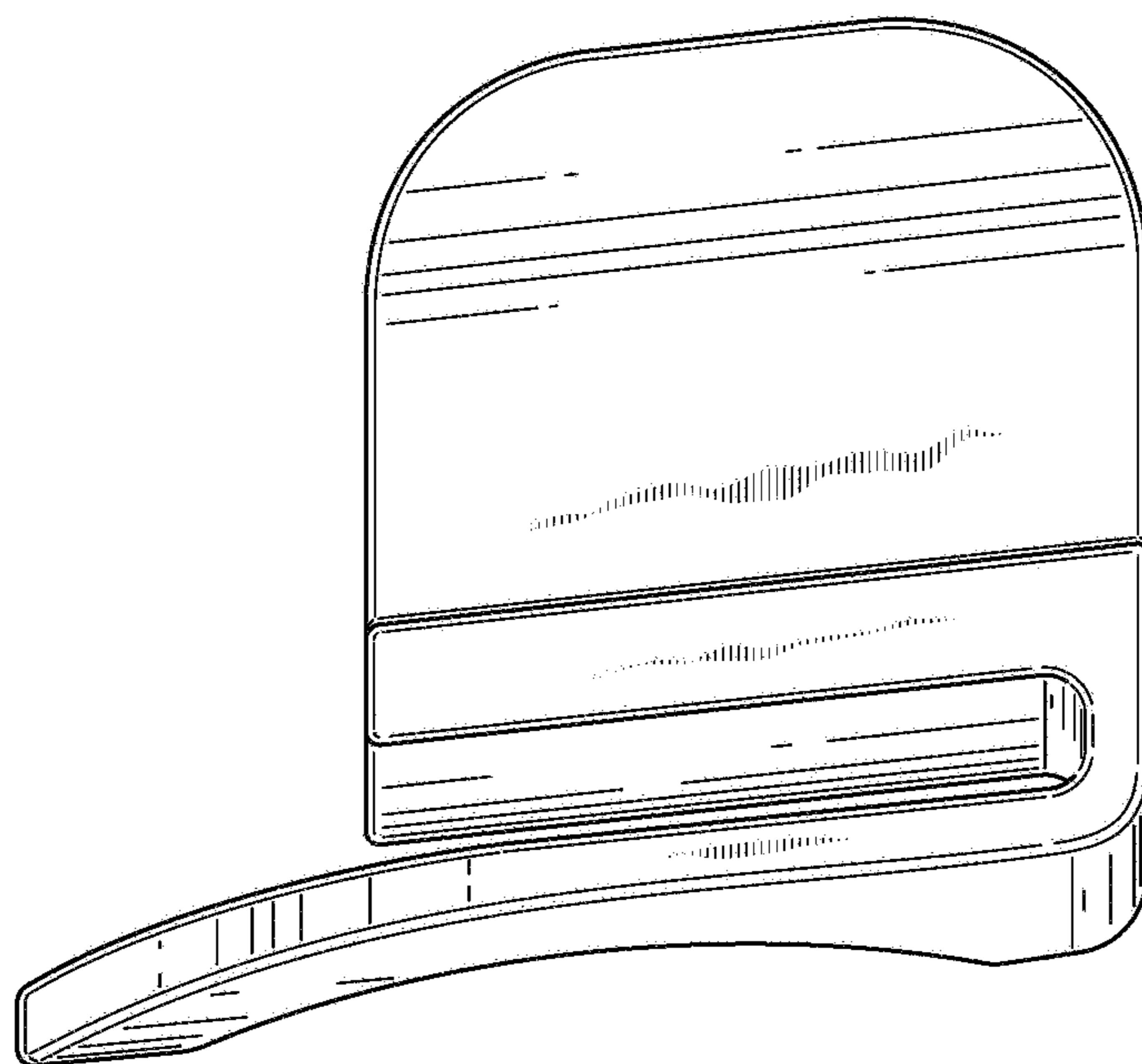
**FIG. 1**



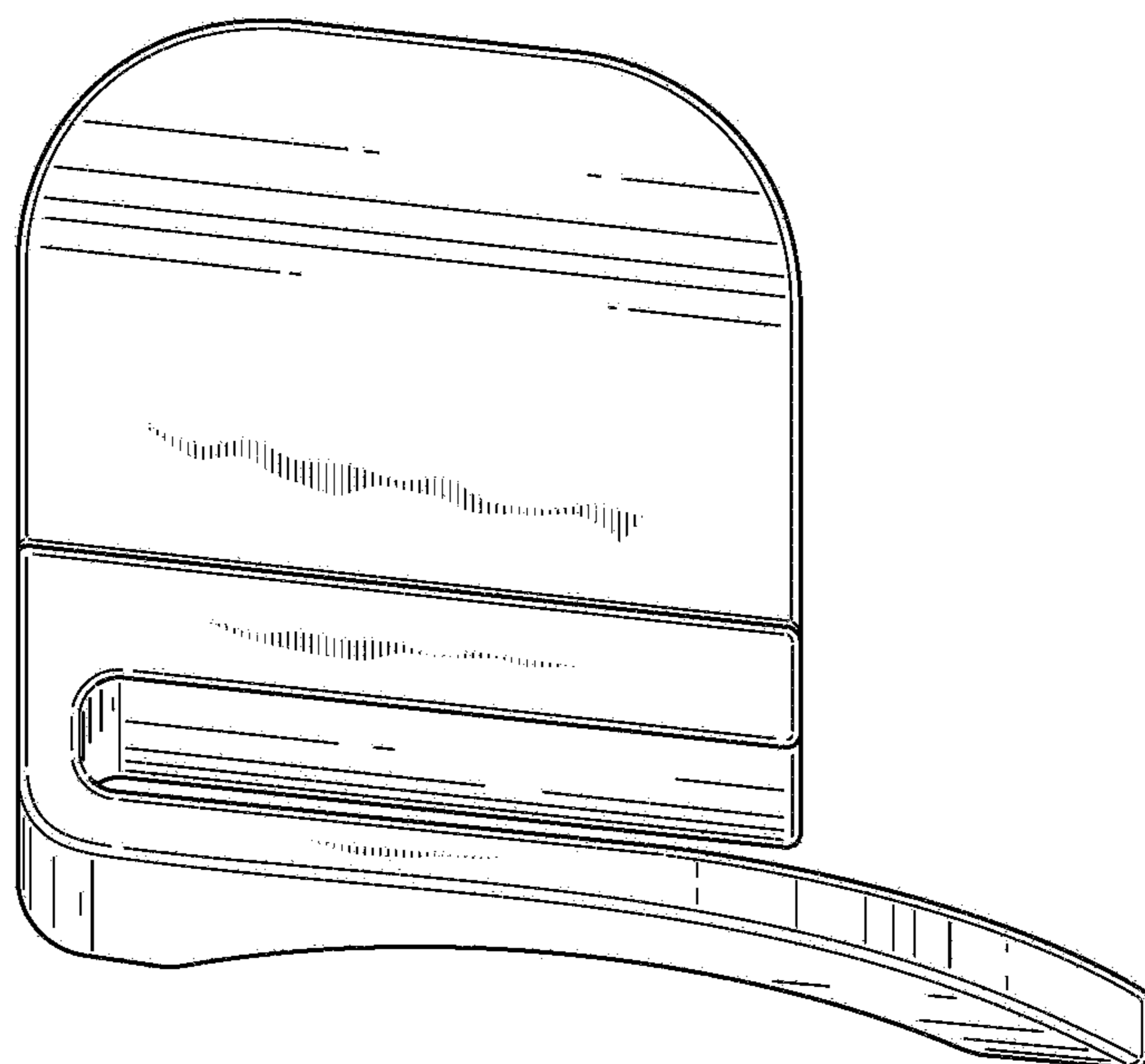
**FIG. 2**



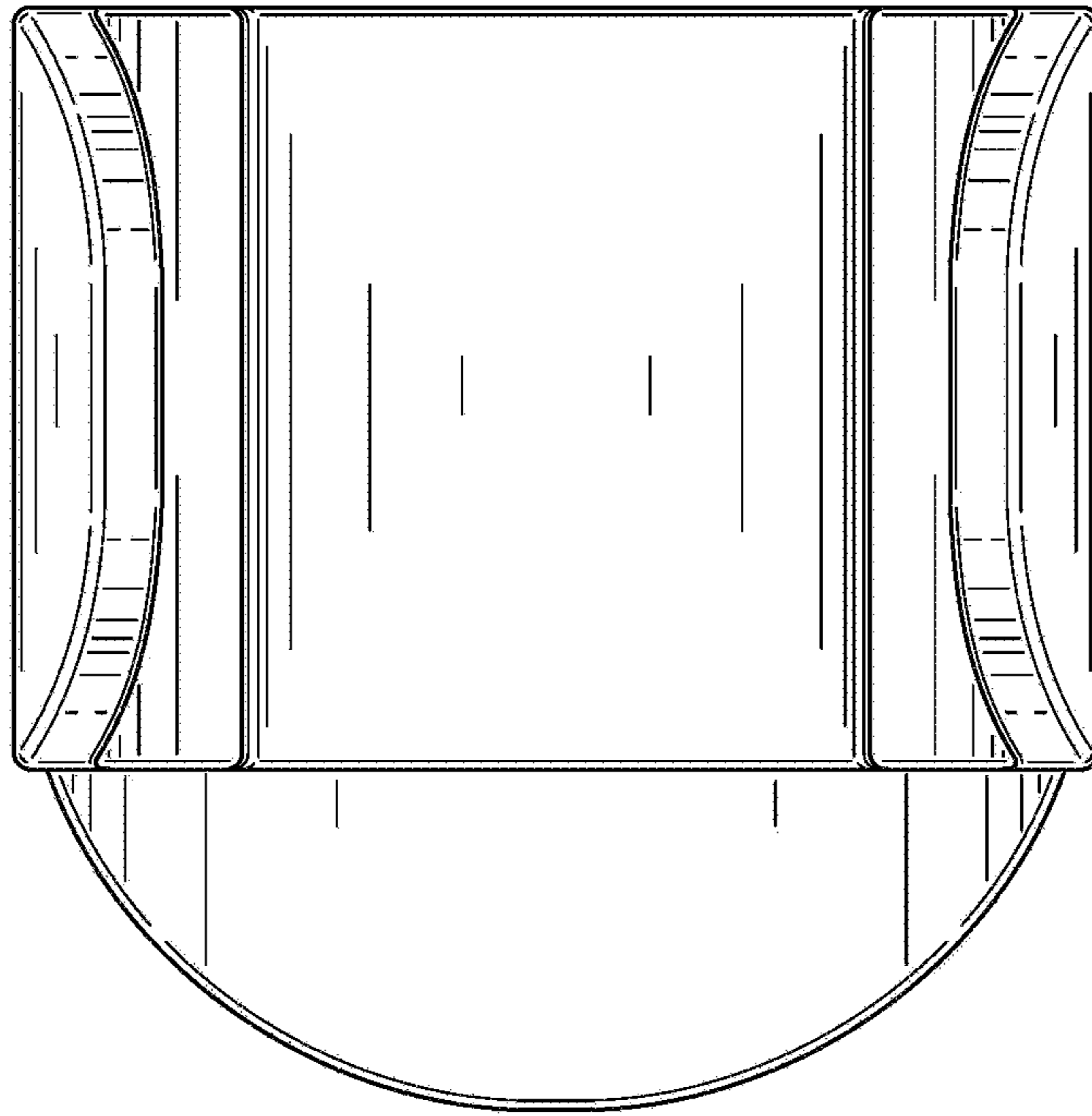
**FIG. 3**



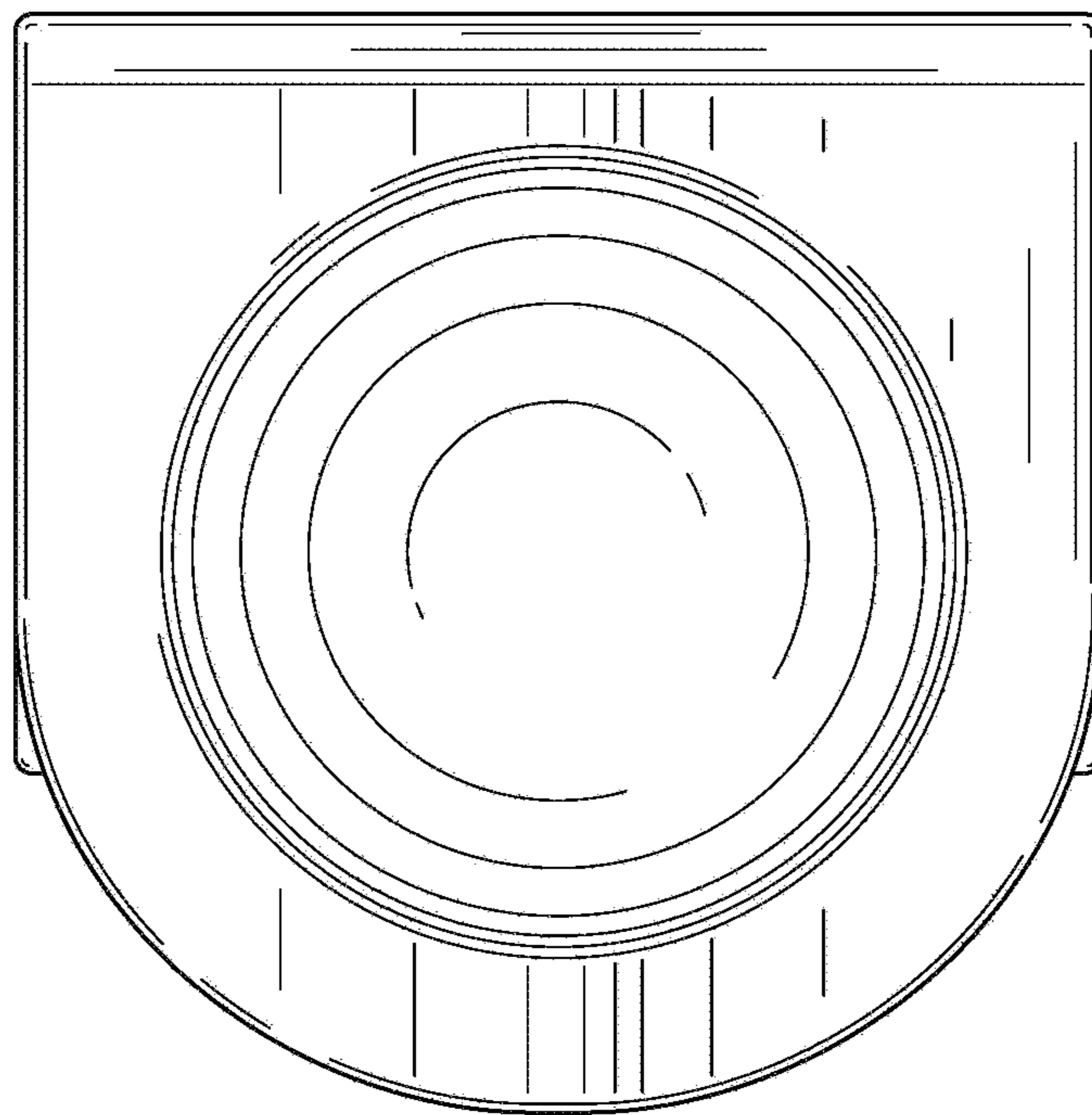
**FIG. 4**



**FIG. 5**



**FIG. 6**



**FIG. 7**