



US00D937019S

(12) **United States Design Patent** (10) **Patent No.:** **US D937,019 S**  
**Durham et al.** (45) **Date of Patent:** **\*\* Nov. 30, 2021**

(54) **QUICK ASSEMBLY STACKING DISPLAY CASE**

(71) Applicant: **Brass Reminders Company, Inc.**,  
Keene, KY (US)

(72) Inventors: **Brent Durham**, Keene, KY (US);  
**Thomas Alexander Montgomery**,  
Lexington, KY (US)

(\*\*) Term: **15 Years**

(21) Appl. No.: **29/743,010**

(22) Filed: **Jul. 17, 2020**

(51) **LOC (13) Cl.** ..... **06-06**

(52) **U.S. Cl.**  
USPC ..... **D6/680.2**

(58) **Field of Classification Search**  
USPC ..... D6/672, 675, 675.1, 680, 680.2, 512  
CPC ..... A47B 49/00; A47B 49/002; A47B 49/004;  
A47B 45/00; A47B 47/00; A47B  
47/0091; A47F 3/00; A47F 3/005; A47F  
3/0439; A47F 3/06; A47F 3/10; A47F  
5/0018; A47F 5/0025; A47F 5/0043;  
A47F 5/02; A47F 5/04; A47F 7/00  
See application file for complete search history.

(56) **References Cited**

**U.S. PATENT DOCUMENTS**

D214,350 S *	6/1969	Silverman	.....	D6/680
D216,749 S *	3/1970	Welch	.....	D6/680
D270,024 S *	8/1983	Strasser	.....	D6/680.2
D306,380 S *	3/1990	Kemble	.....	D6/675.1
D316,643 S *	5/1991	Cheetham	.....	D6/407
D327,381 S *	6/1992	Ross	.....	D6/675.1
D340,369 S *	10/1993	Dokoupil	.....	D6/675

(Continued)

*Primary Examiner* — Kelley A Donnelly

(74) *Attorney, Agent, or Firm* — Michael Coblenz

(57) **CLAIM**

The ornamental design for a quick assembly stacking display case, as shown and described.

**DESCRIPTION**

FIG. 1 is a perspective view of the quick assembly stacking display case with multiple middle section components inserted;

FIG. 2 is an exploded perspective view of the same;

FIG. 3 is an exploded perspective view of the quick assembly stacking display case with no middle section components inserted;

FIG. 4 is an exploded perspective view of the quick assembly stacking display case with one middle section component inserted;

FIG. 5 is a perspective view of the top section of the quick assembly stacking display case;

FIG. 6 is a front elevation view thereof, with the right elevation, left elevation, and rear elevation being a mirror image of the left;

FIG. 7 is a top view thereof;

FIG. 8 is a bottom view thereof;

FIG. 9 is a perspective view of a middle section of the quick assembly stacking display case;

FIG. 10 is a front elevation view thereof, with the right elevation, left elevation, and rear elevation being a mirror image of the left;

FIG. 11 is a top view thereof;

FIG. 12 is a bottom view thereof;

FIG. 13 is a perspective view of the bottom section of the quick assembly stacking display case;

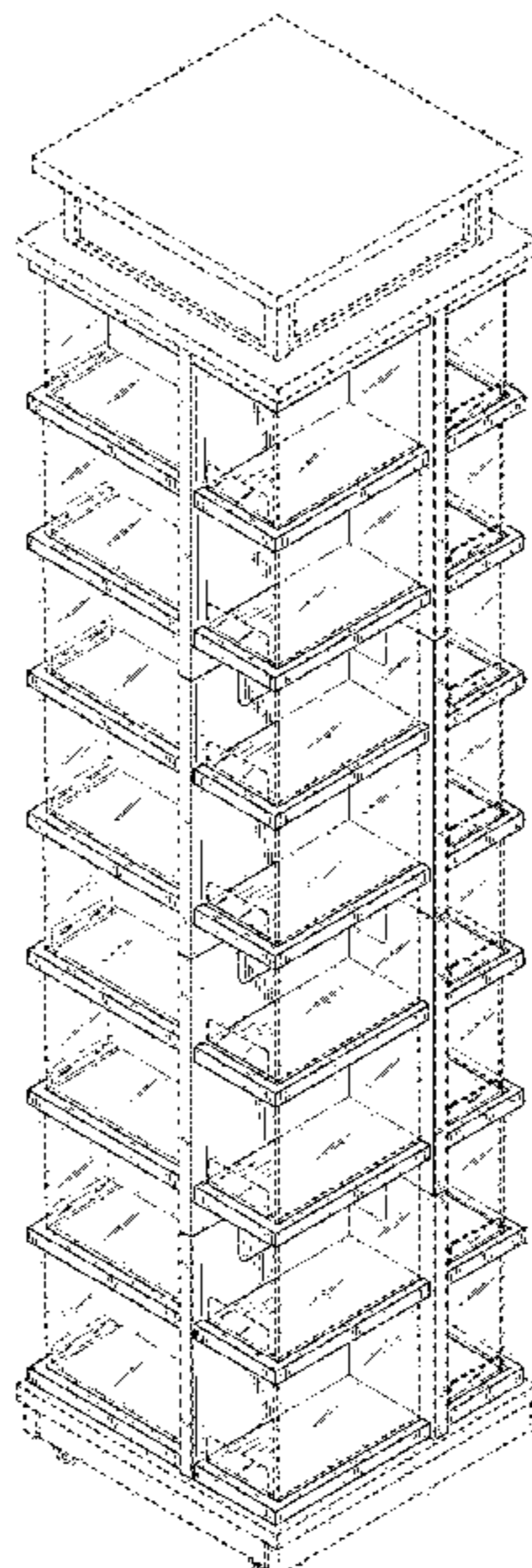
FIG. 14 is a front elevation view thereof, with the right elevation, left elevation, and rear elevation being a mirror image of the left;

FIG. 15 is a top view thereof; and,

FIG. 16 is a bottom view thereof.

The broken lines depict environmental subject matter, are for illustration only, and form no part of the claimed design.

**1 Claim, 16 Drawing Sheets**



(56)

**References Cited**

U.S. PATENT DOCUMENTS

D358,279	S	*	5/1995	Ackley	.....	D6/407
D445,598	S	*	7/2001	Petti	.....	D6/675.1
D459,137	S	*	6/2002	Poirier	.....	D6/630
D462,543	S	*	9/2002	Childers	.....	D6/675.1
D498,612	S	*	11/2004	Brunet	.....	D6/663
D510,225	S	*	10/2005	Kwok	.....	D6/629
7,185,769	B2	*	3/2007	Glass	.....	A47F 5/02 211/163
D567,877	S	*	4/2008	Krapf	.....	D20/21
D632,509	S	*	2/2011	Pere	.....	D6/675.1
D669,708	S	*	10/2012	Haskell	.....	D6/680
D700,464	S	*	3/2014	Brevda	.....	D6/675
D736,015	S	*	8/2015	Durham	.....	D6/680

\* cited by examiner

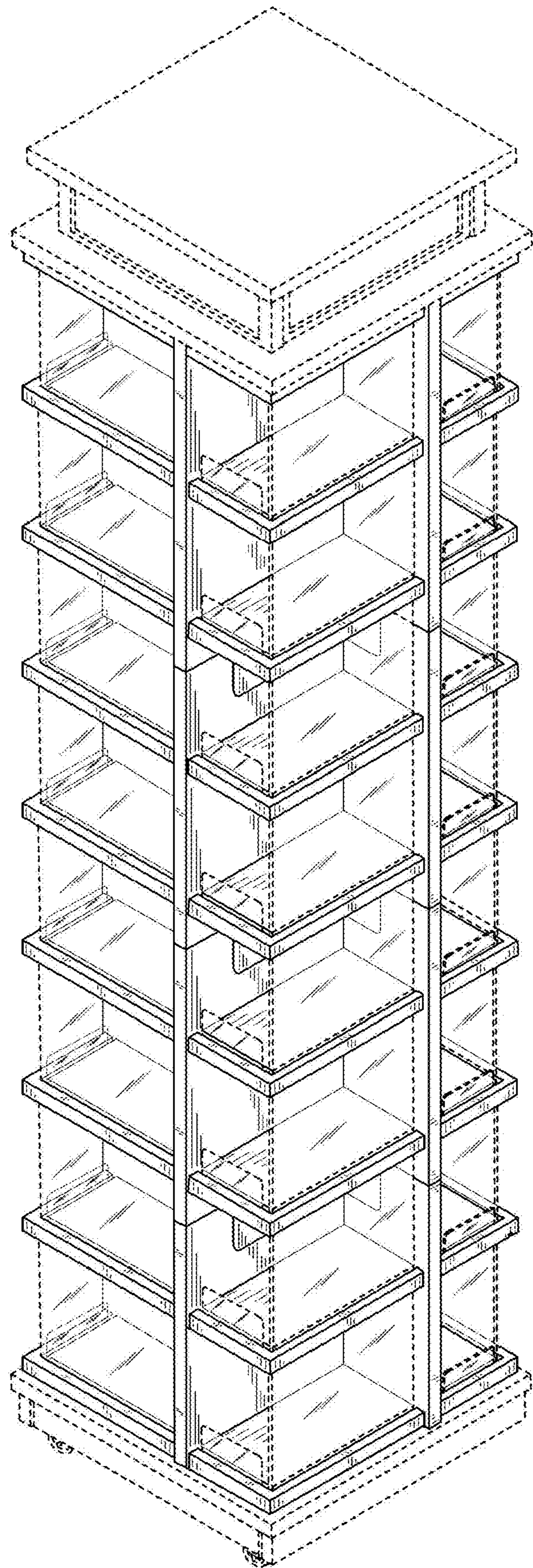


FIG. 1

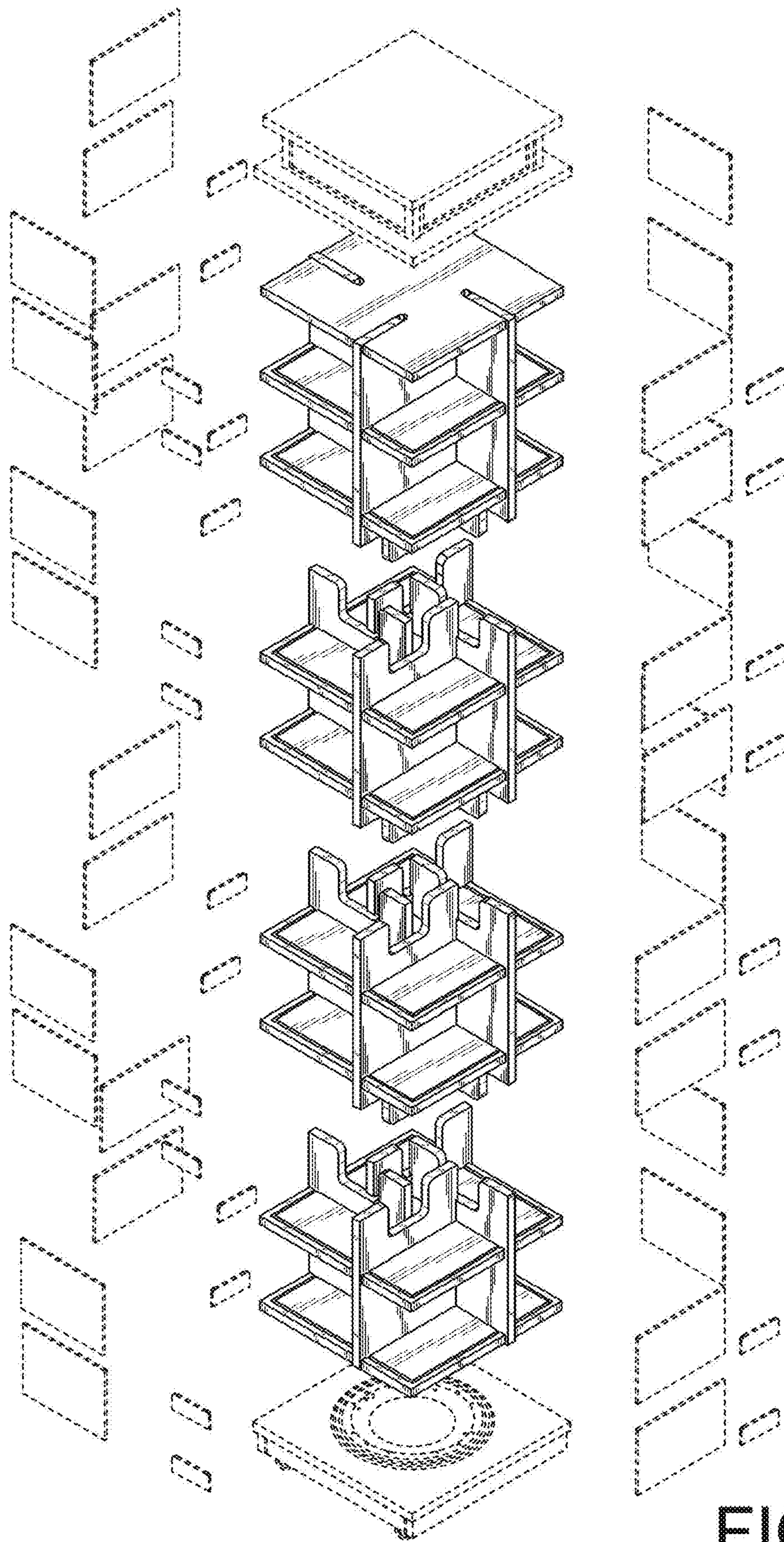


FIG. 2

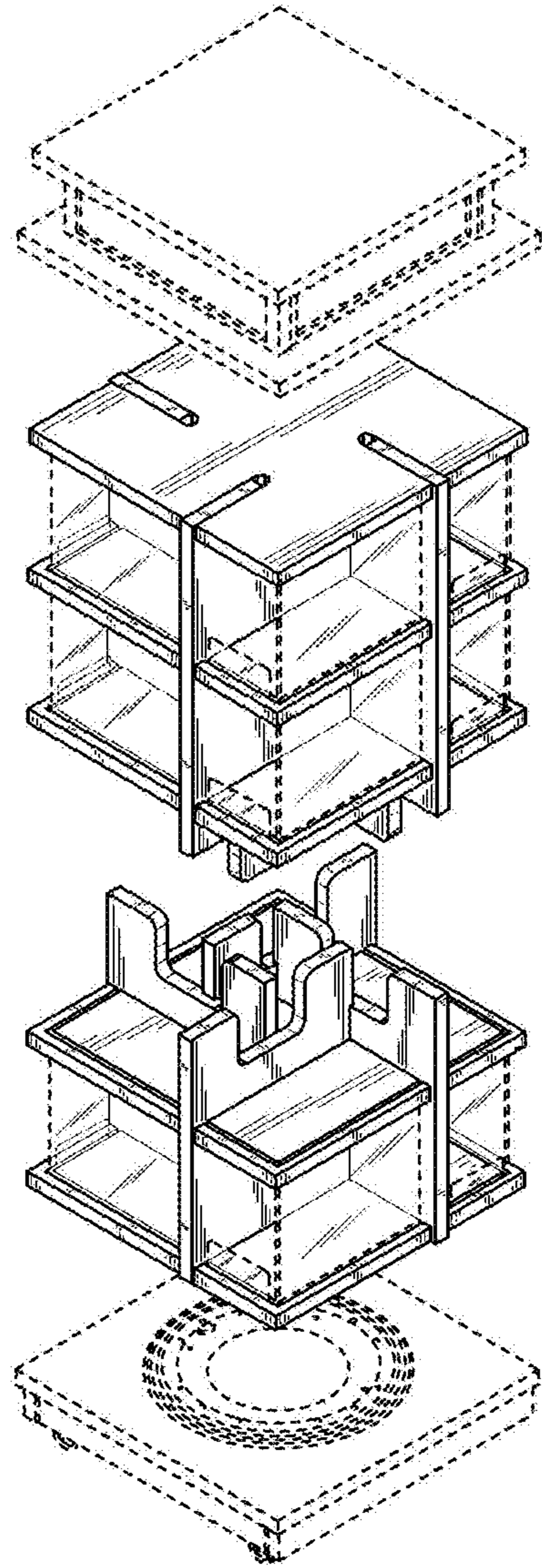


FIG. 3

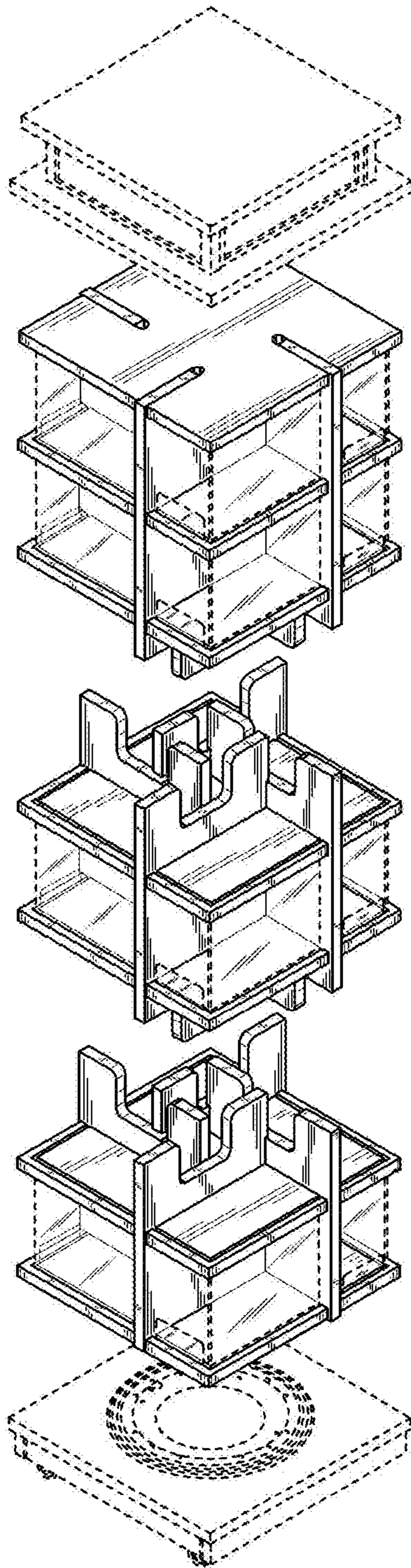


FIG. 4

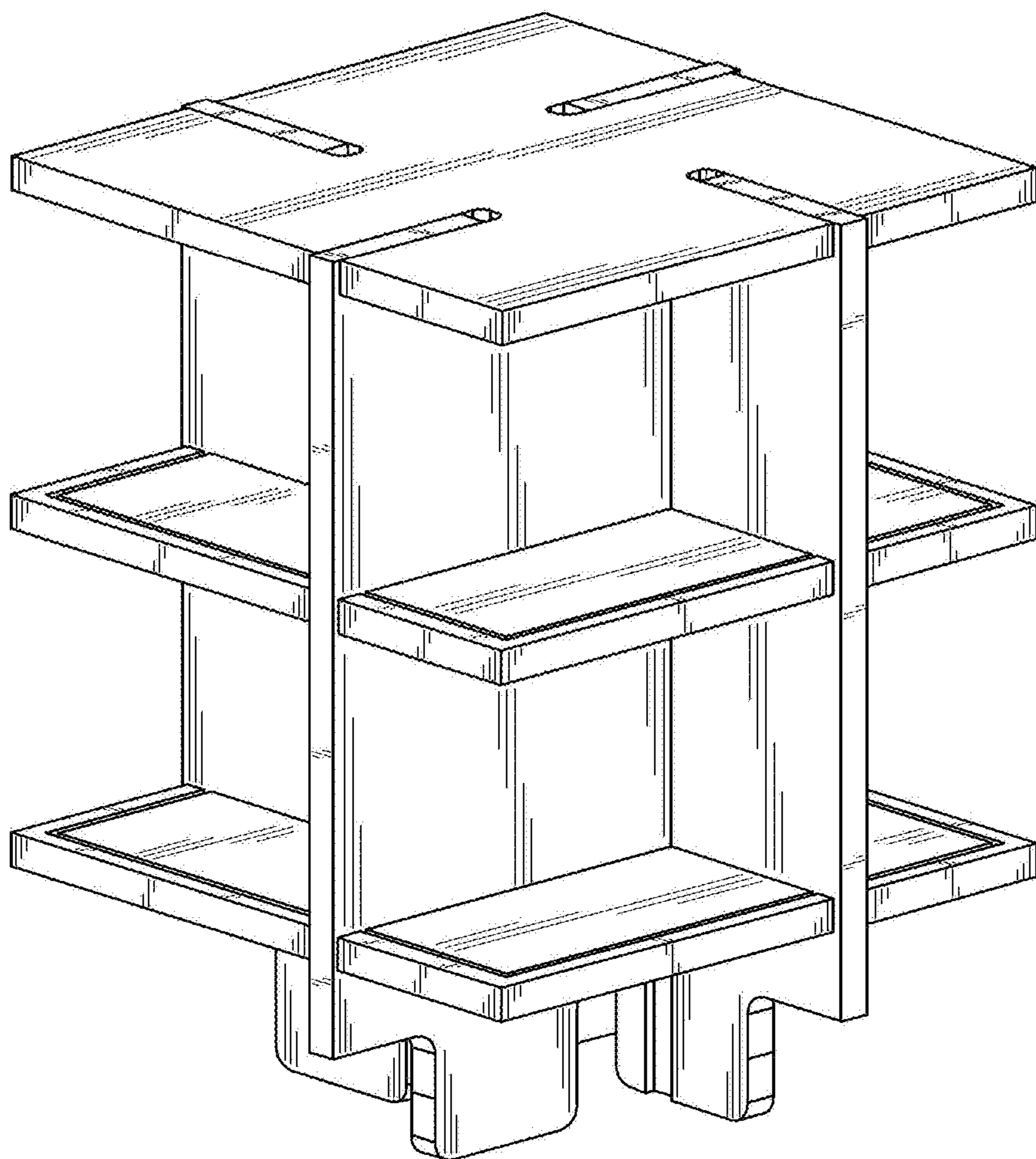


FIG. 5

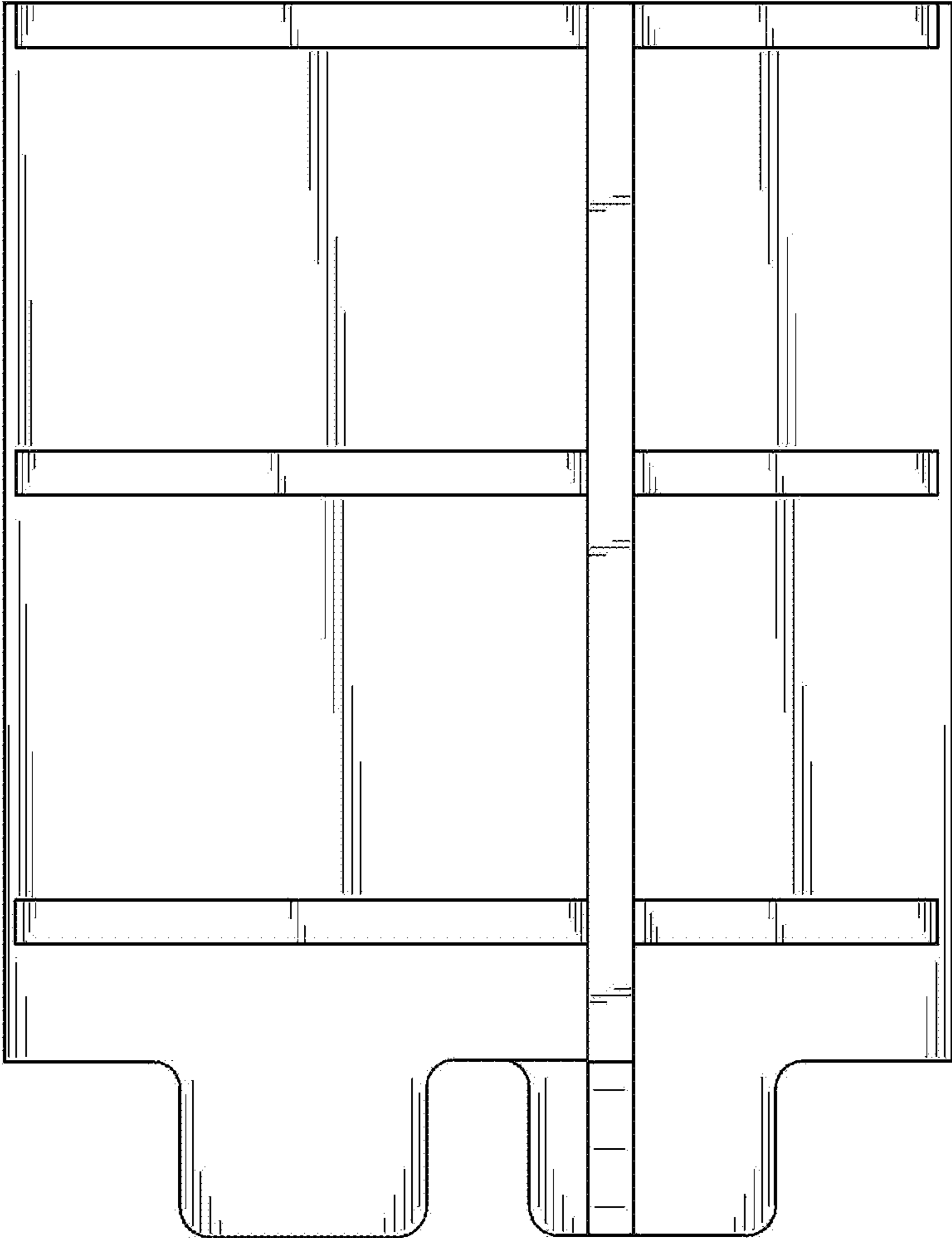


FIG. 6



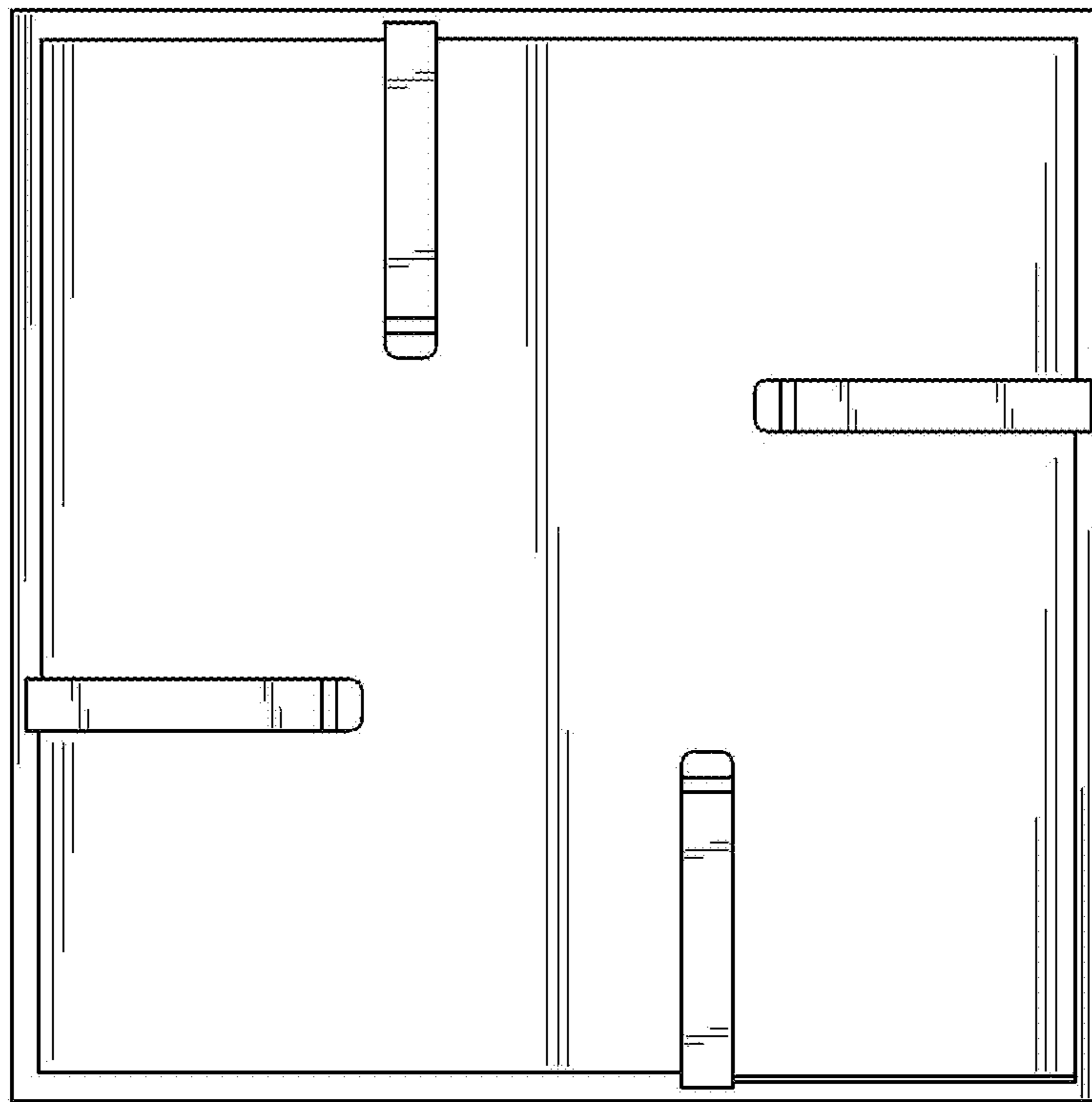


FIG. 7

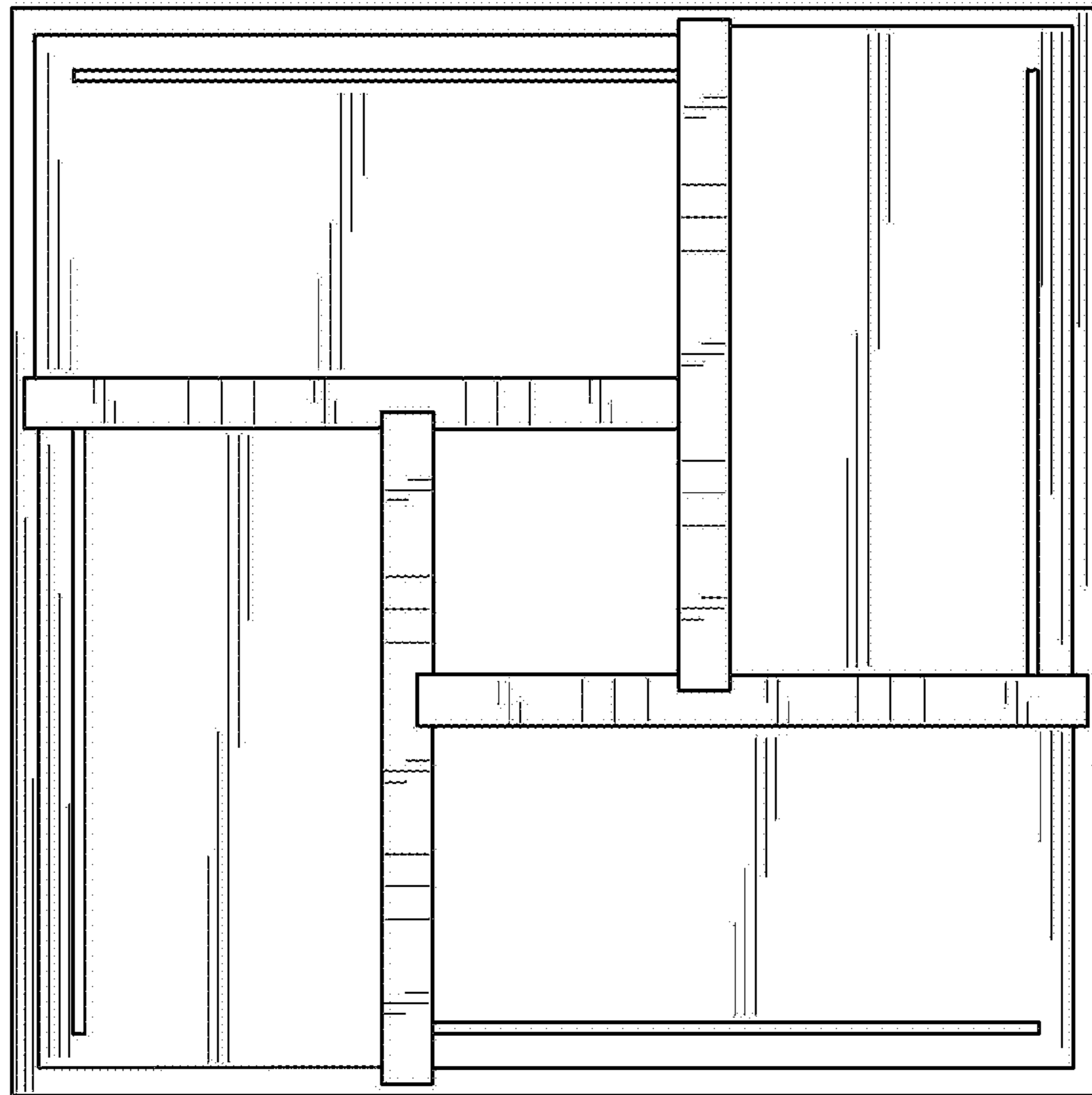


FIG. 8

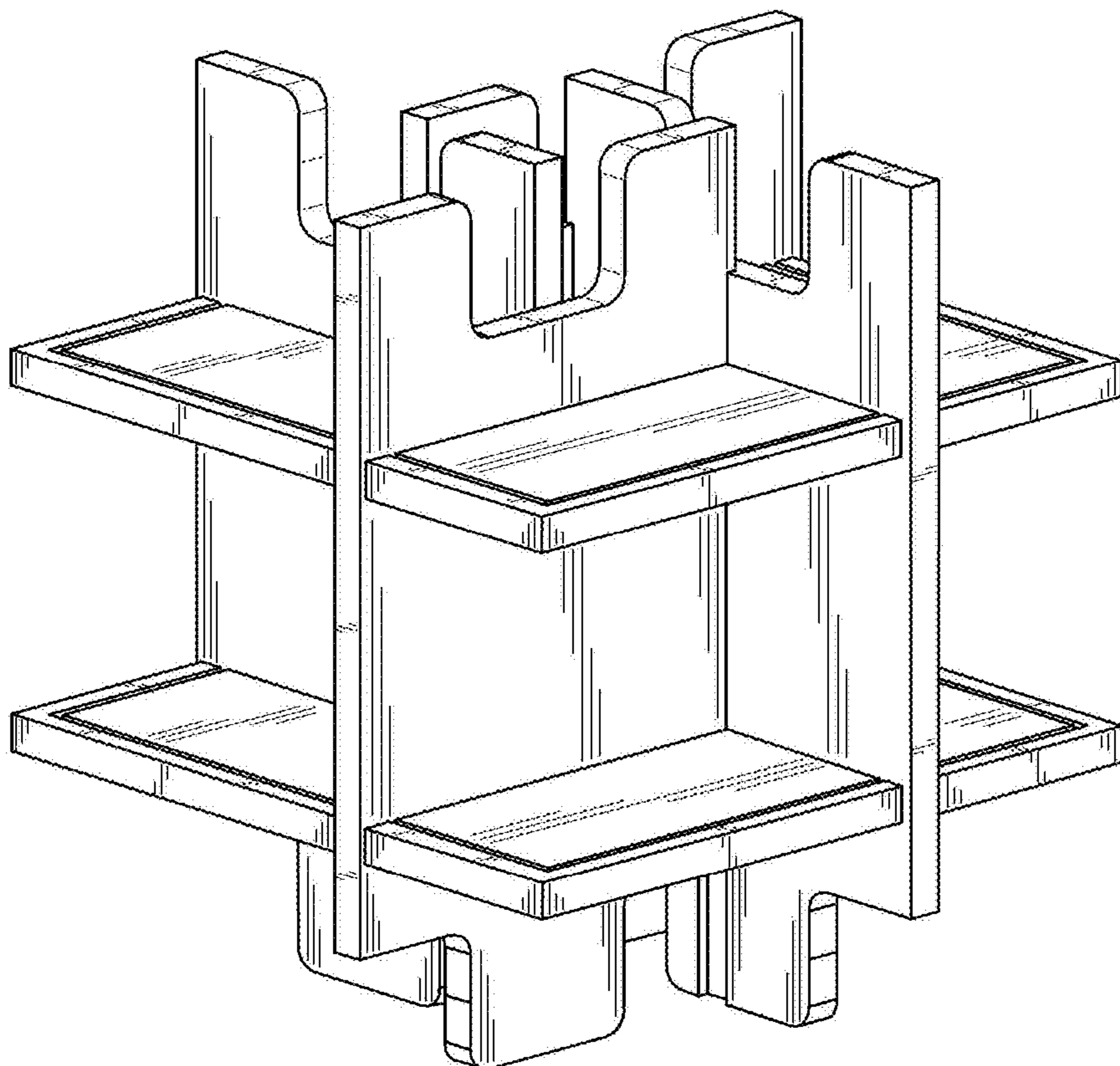


FIG. 9

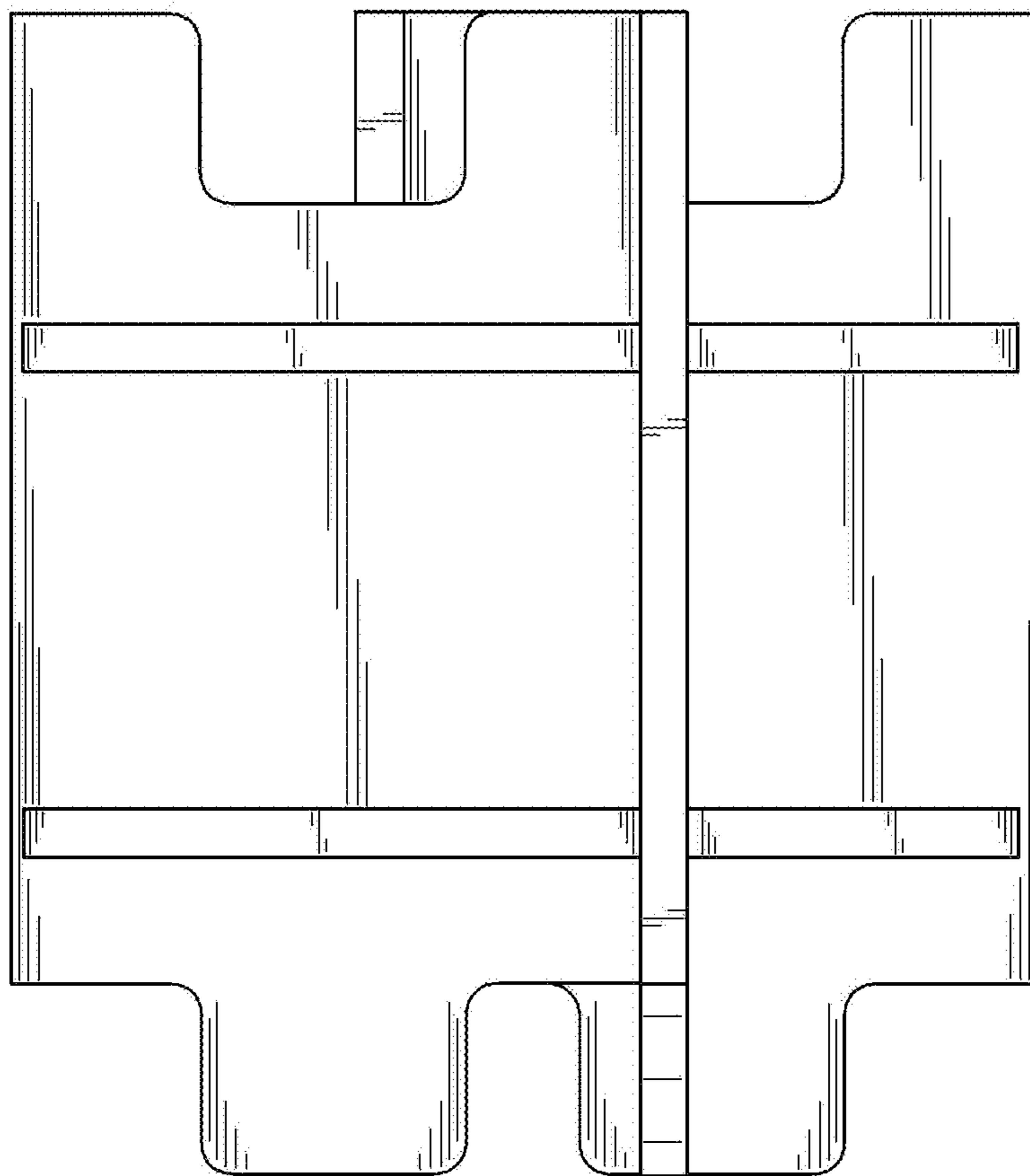


FIG. 10

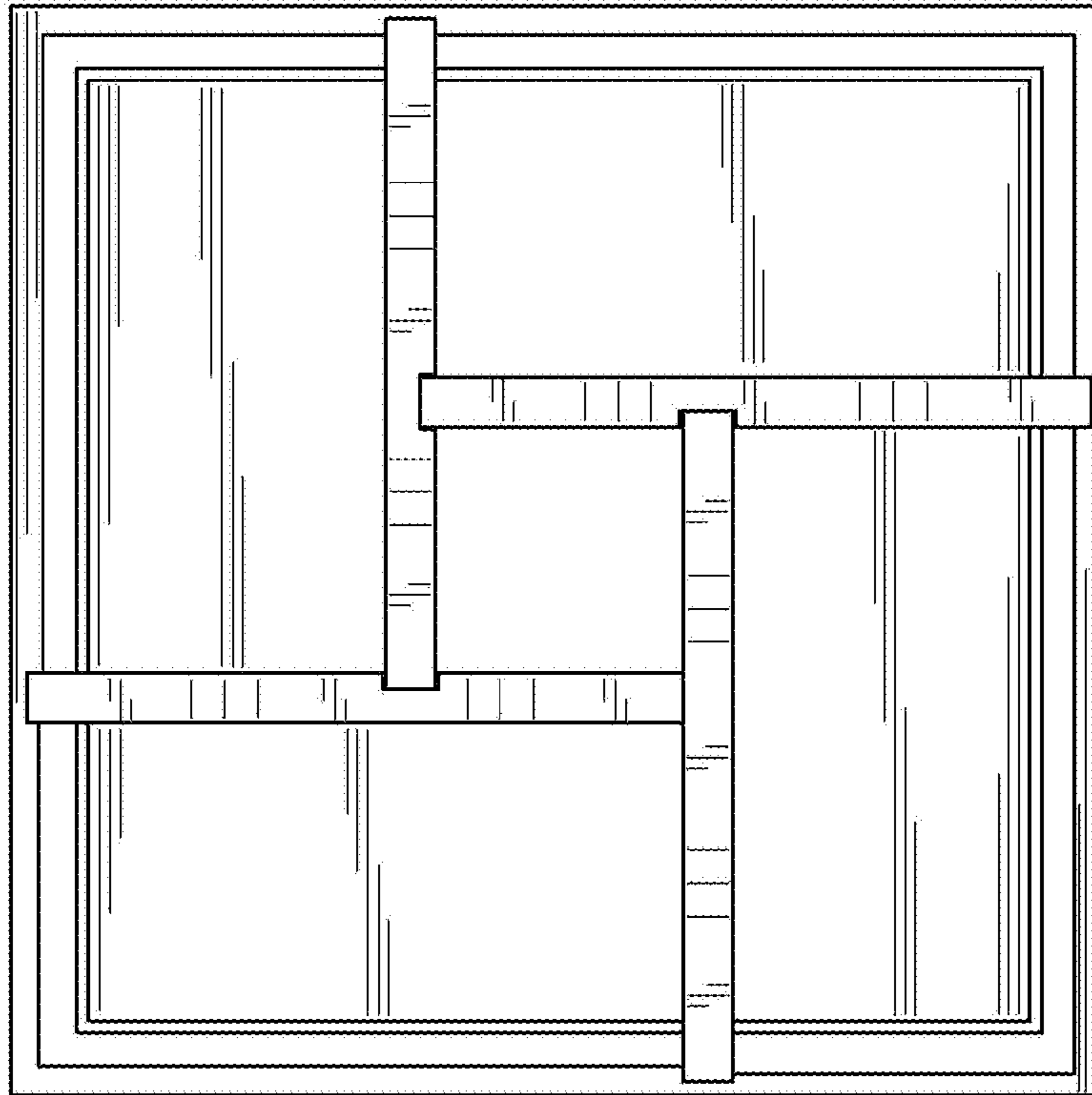


FIG. 11

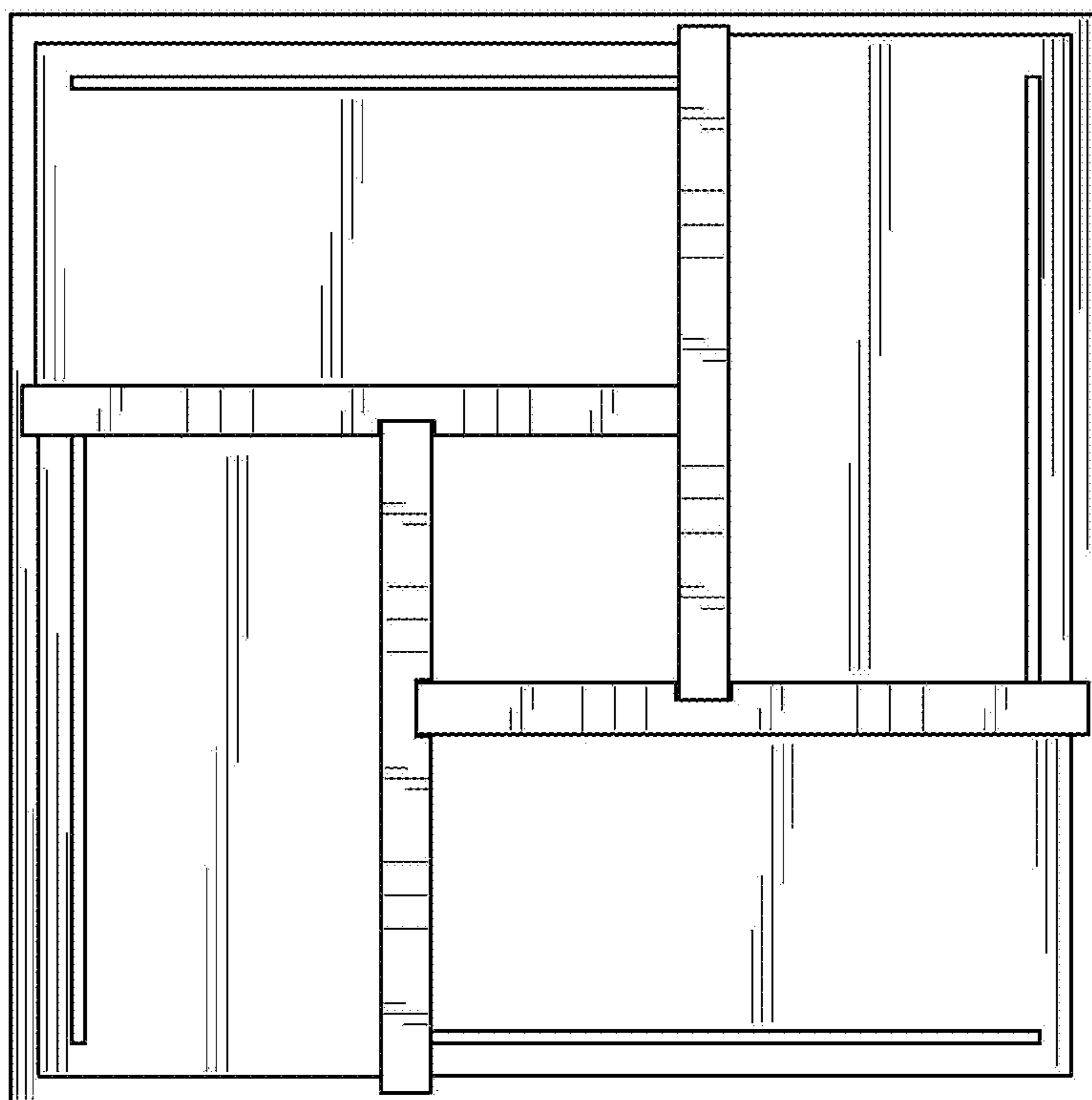


FIG. 12

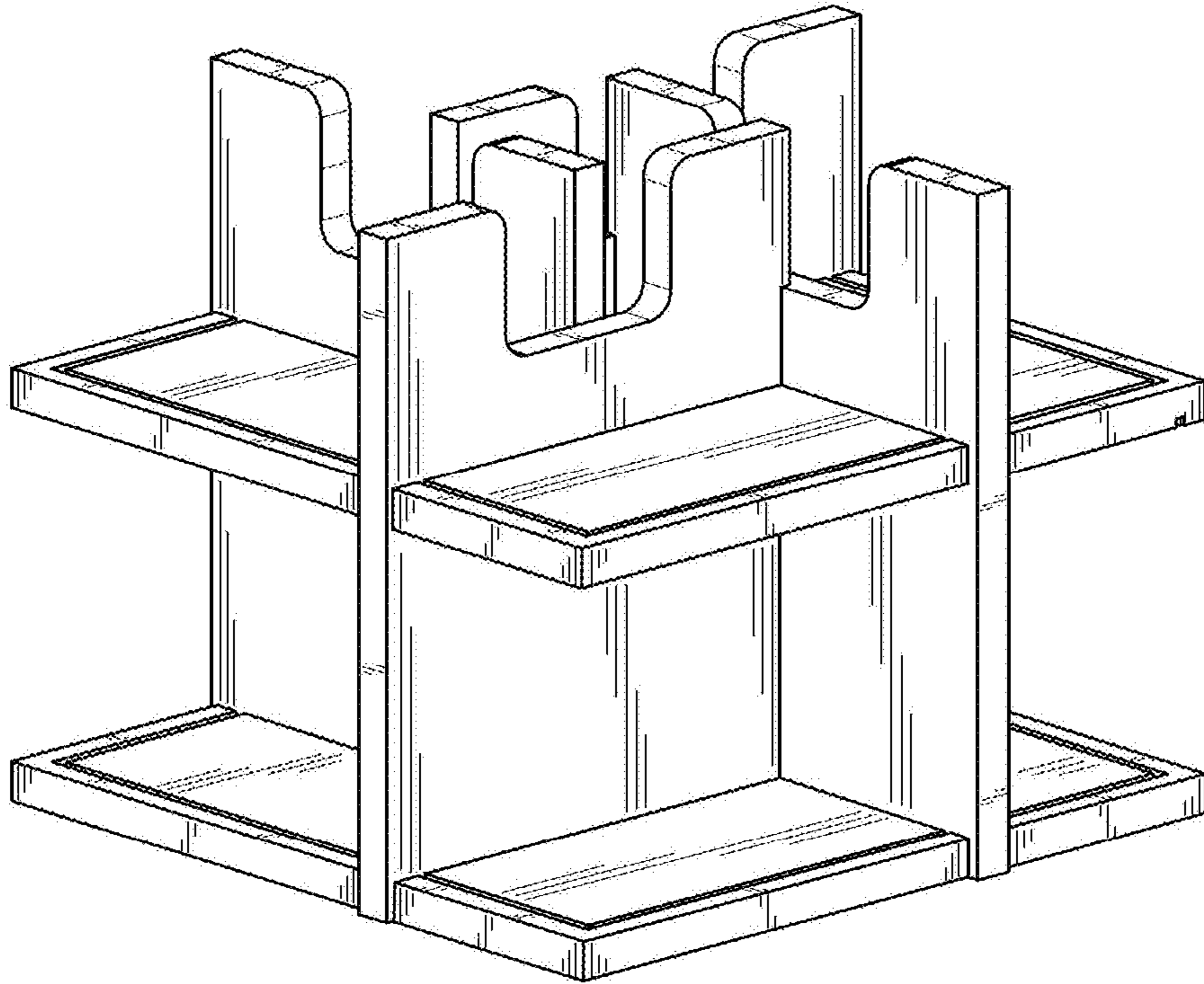


FIG. 13

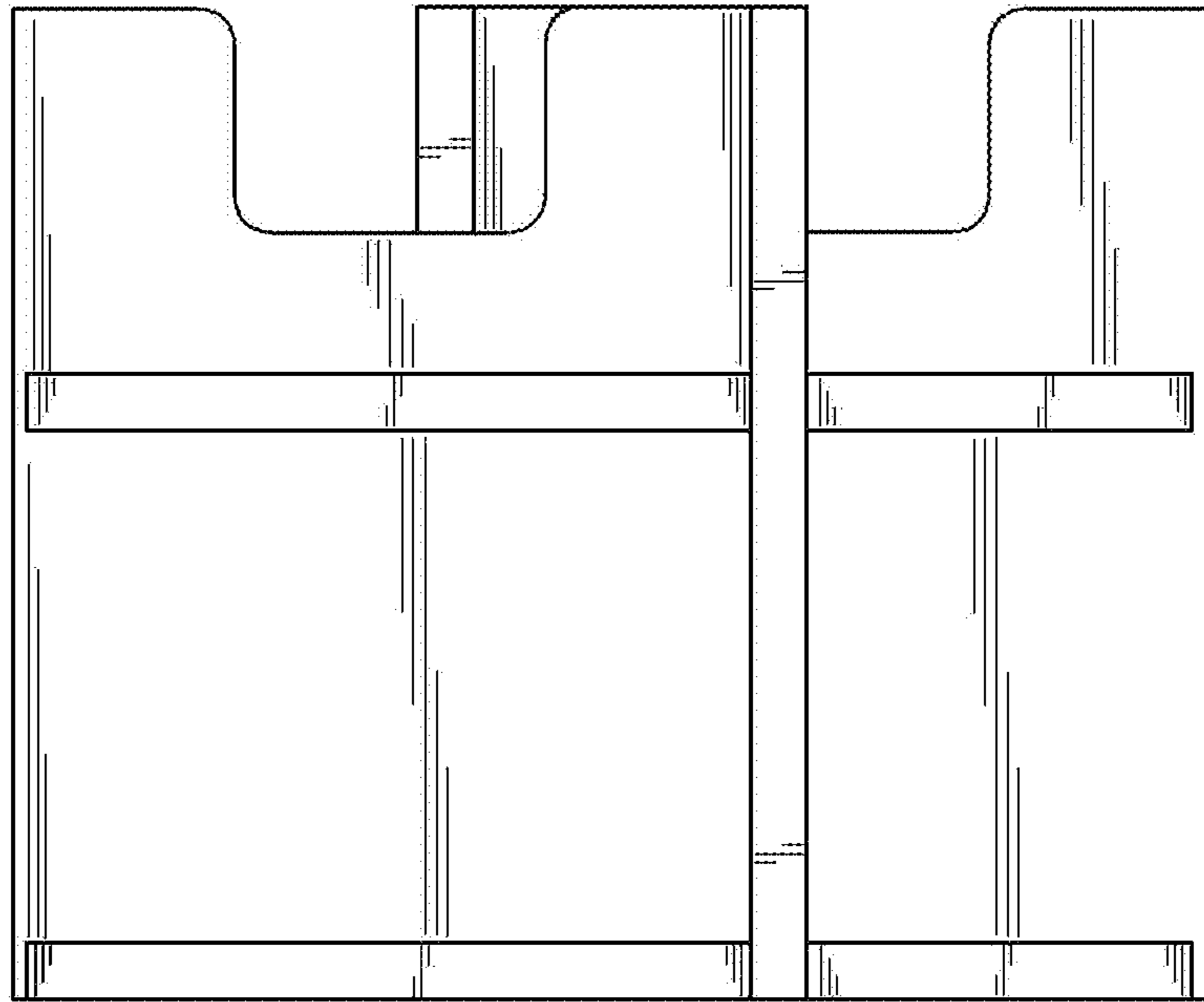


FIG. 14



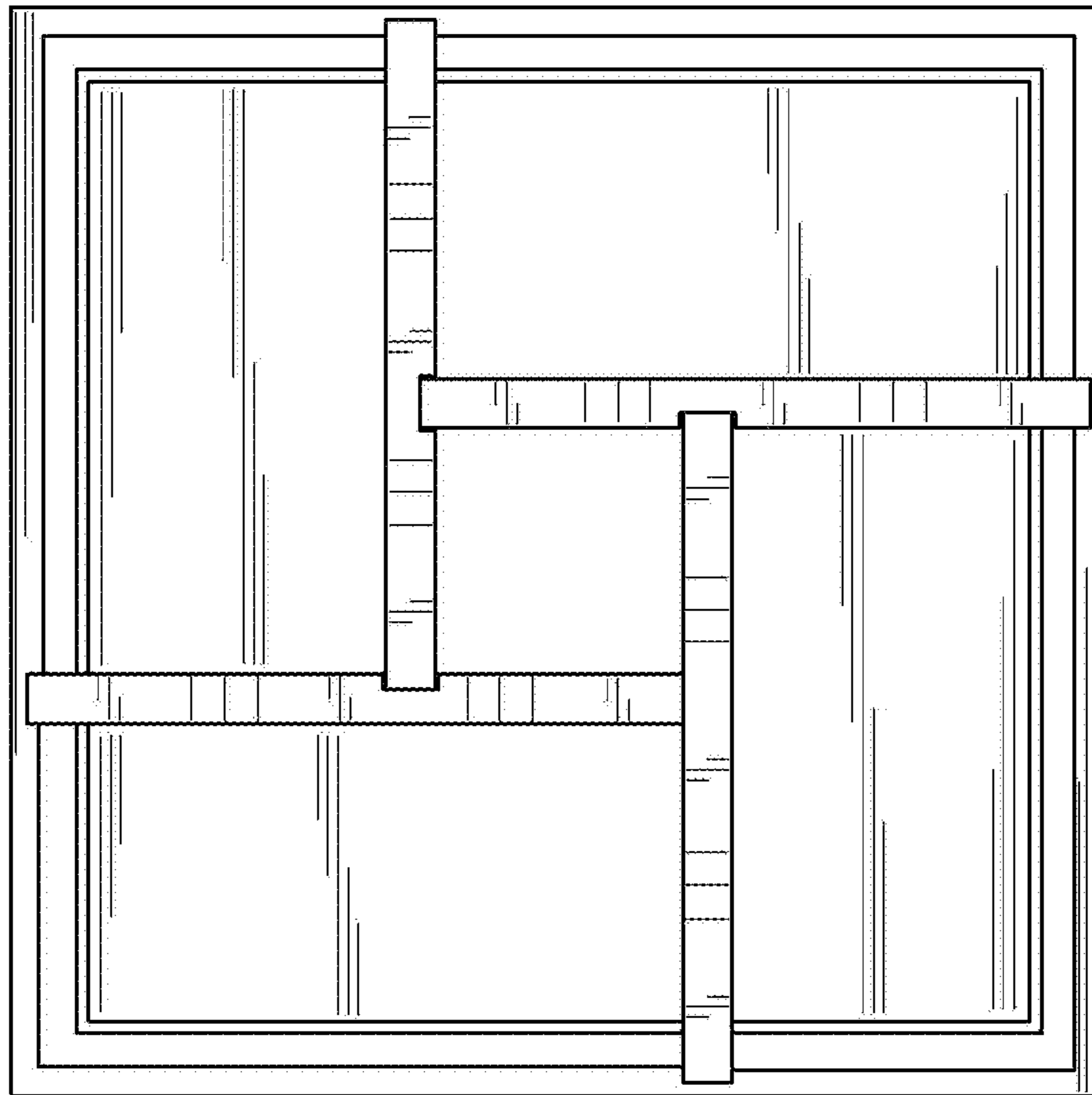


FIG. 15

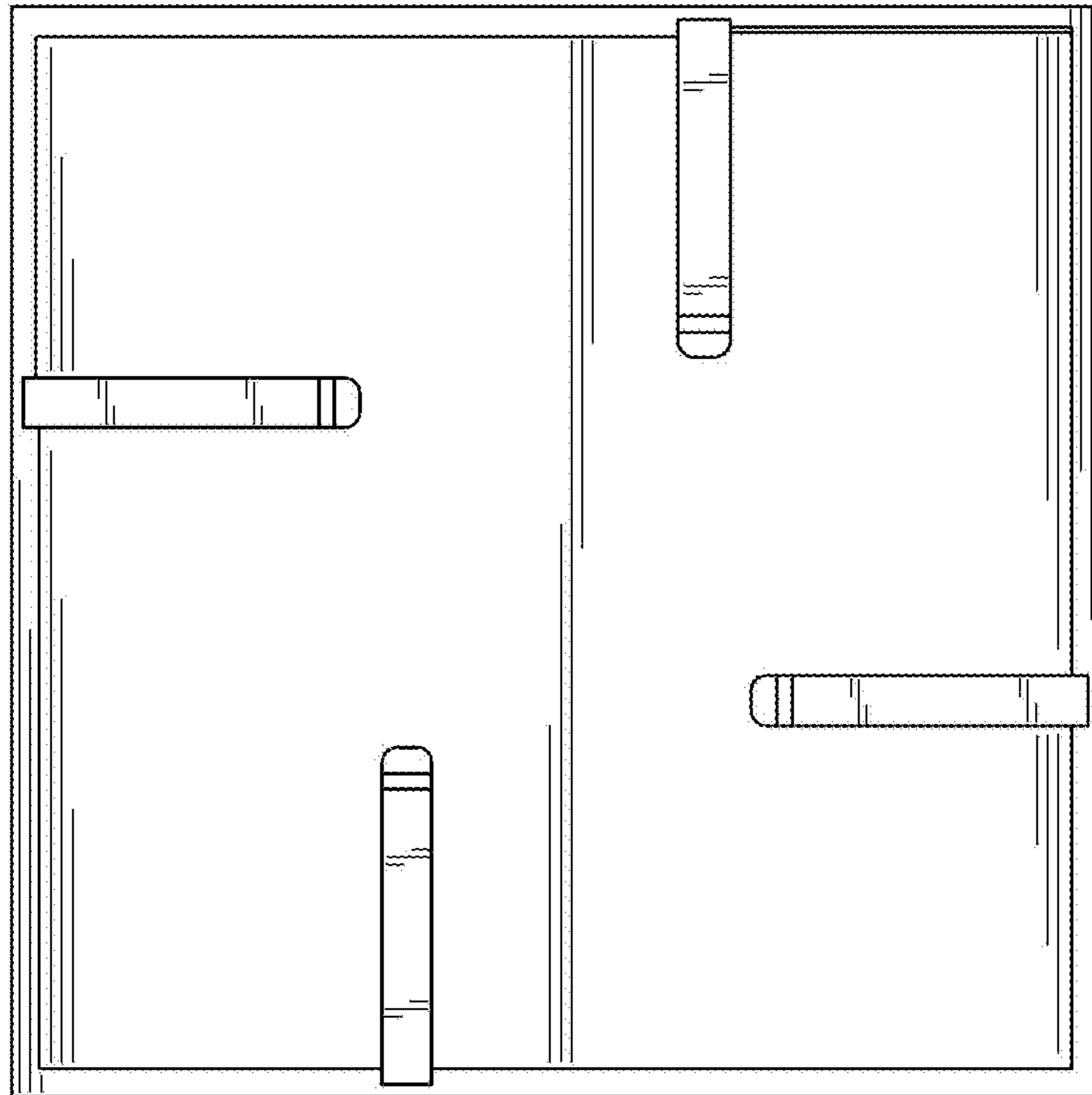


FIG. 16