



US00D937016S

(12) **United States Design Patent** (10) **Patent No.:** **US D937,016 S**  
**Simonetti** (45) **Date of Patent:** **\*\* Nov. 30, 2021**

(54) **GARDEN TRUNK**

OTHER PUBLICATIONS

(71) Applicant: **PLAST-MECCANICA SOCIETA' PER AZIONI**, Castelbellino (IT)

Amazon.com.tr, "Mobile Storaway Plus XL Anthracite / Warm Gray", First for sale Jul. 17, 2020. (<https://www.amazon.com.tr/Mobile-Storaway-Plus-Anthracite-Warm/dp/B088P585ZV>) (Year: 2018).\*

(72) Inventor: **Lorenzo Simonetti**, Jesi (IT)

Youtube, "Toomax" posted by user "ArpoДи а л о р" on Nov. 16, 2017. (<https://www.youtube.com/watch?v=-vbuoTHNviA>) (Year: 2017).\*

(\*\*) Term: **15 Years**

\* cited by examiner

(21) Appl. No.: **29/678,824**

(22) Filed: **Jan. 31, 2019**

*Primary Examiner* — April Rivas

(51) **LOC (13) Cl.** ..... **06-04**

(74) *Attorney, Agent, or Firm* — Egbert, McDaniel & Swartz, PLLC

(52) **U.S. Cl.**

USPC ..... **D6/667; D3/272**

(58) **Field of Classification Search**

(57) **CLAIM**

USPC ..... D3/294, 281, 282, 321, 272; D6/703.3, D6/667, 703, 663; D25/160

The ornamental design for a garden trunk, as shown and described.

CPC ..... A47B 47/04

**DESCRIPTION**

See application file for complete search history.

(56) **References Cited**

FIG. 1 is a perspective view of a garden trunk showing my new design.

U.S. PATENT DOCUMENTS

FIG. 2 is a front view thereof;

D658,374 S \* 5/2012 Anderson ..... D3/273

FIG. 3 is a rear view thereof;

D662,709 S \* 7/2012 Uffner ..... D3/277

FIG. 4 is a side view thereof;

D693,605 S \* 11/2013 Rasenberg ..... D6/667

FIG. 5 is an opposite side view thereof; and,

D706,063 S \* 6/2014 Arnon ..... D6/667

FIG. 6 is a top view thereof.

D714,082 S \* 9/2014 Vogler ..... D6/677.3

The features presented in broken lines represent unclaimed portions of the garden trunk and form no part of the claimed design.

D715,049 S \* 10/2014 Fischer, Jr. .... D3/277

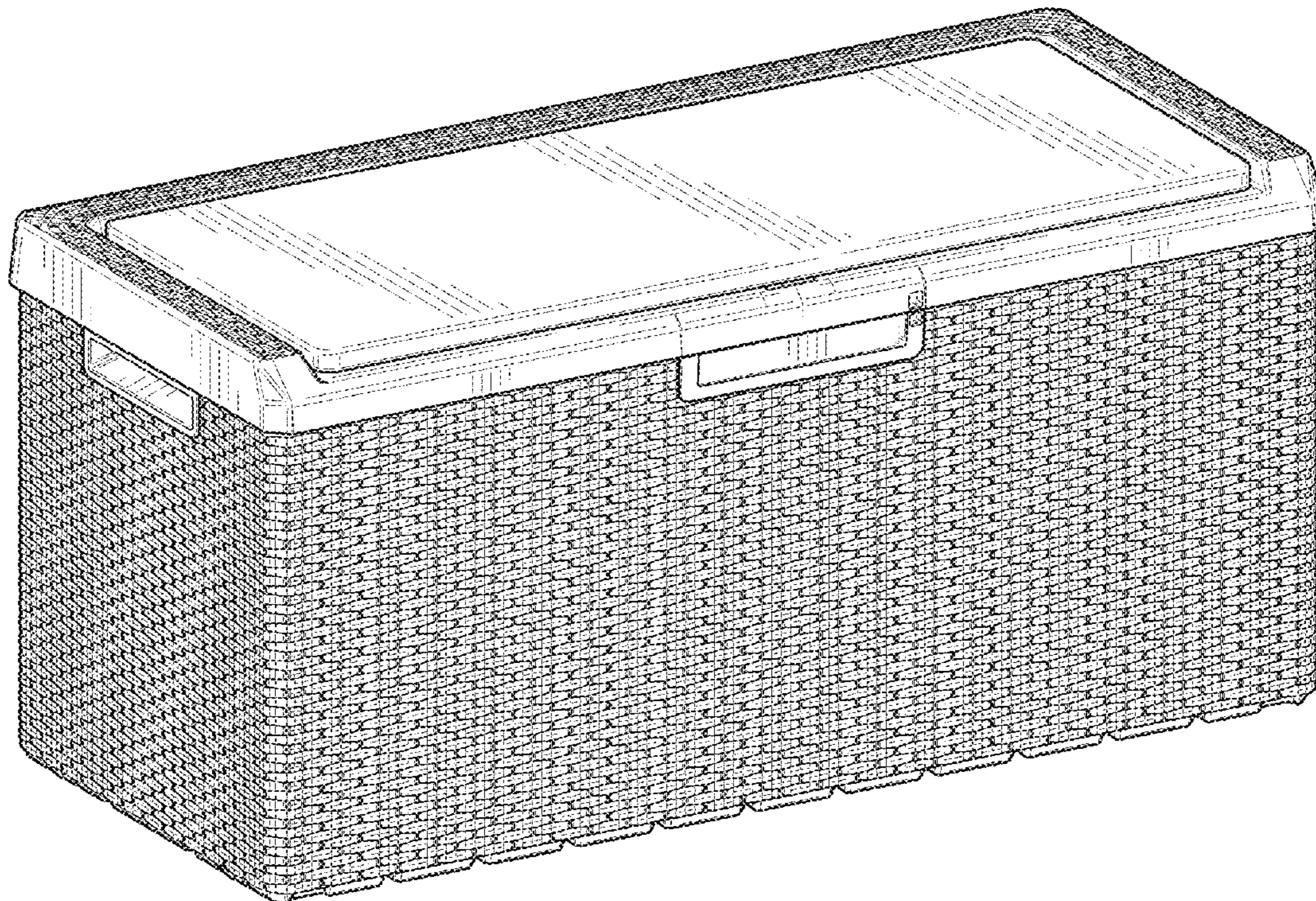
**1 Claim, 4 Drawing Sheets**

D723,803 S \* 3/2015 Thuma ..... D3/277

D810,475 S \* 2/2018 Ben Avi ..... D6/667

D881,612 S \* 4/2020 Leng ..... D6/663

2017/0342753 A1 \* 11/2017 Jiang ..... E05D 3/02





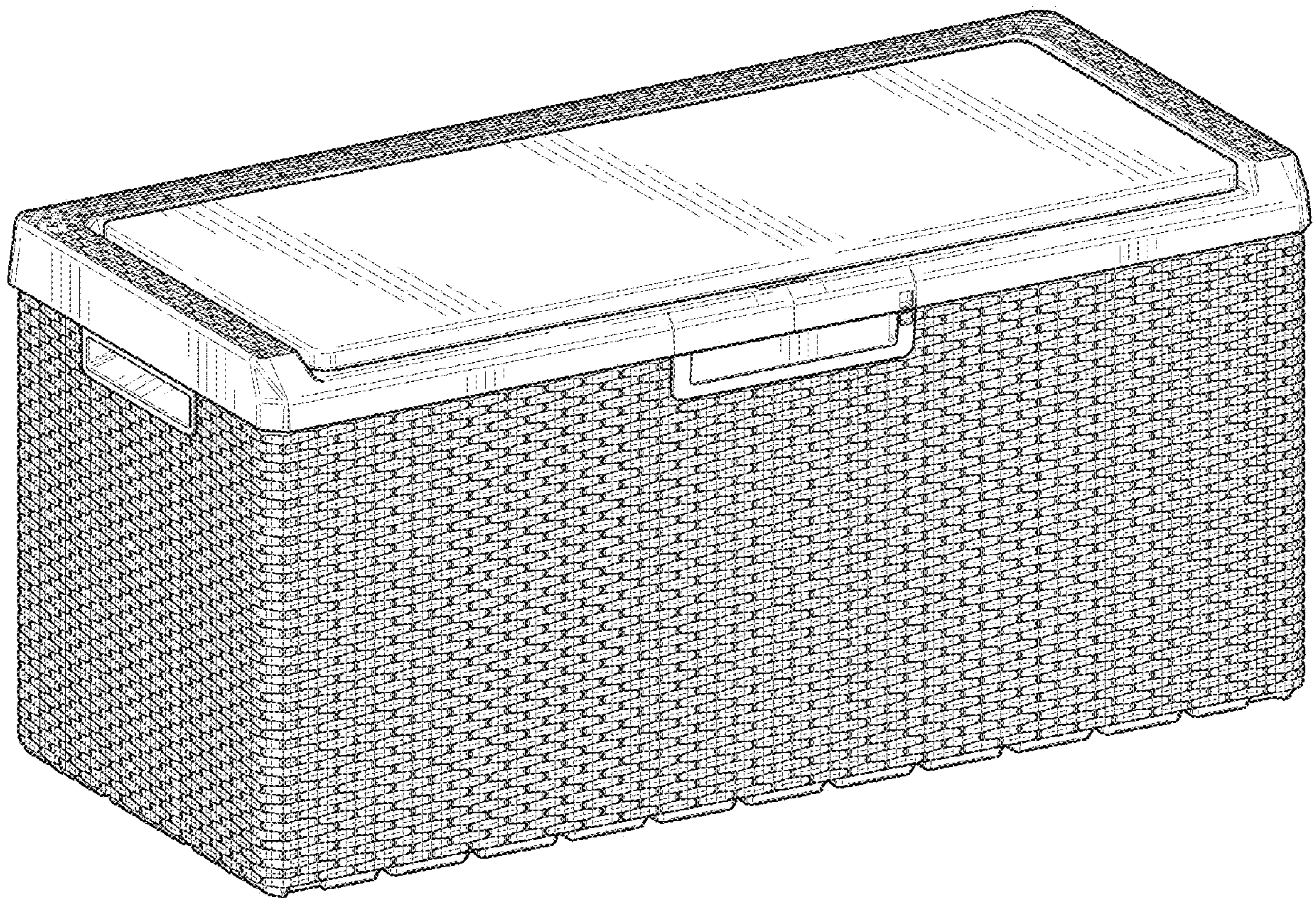
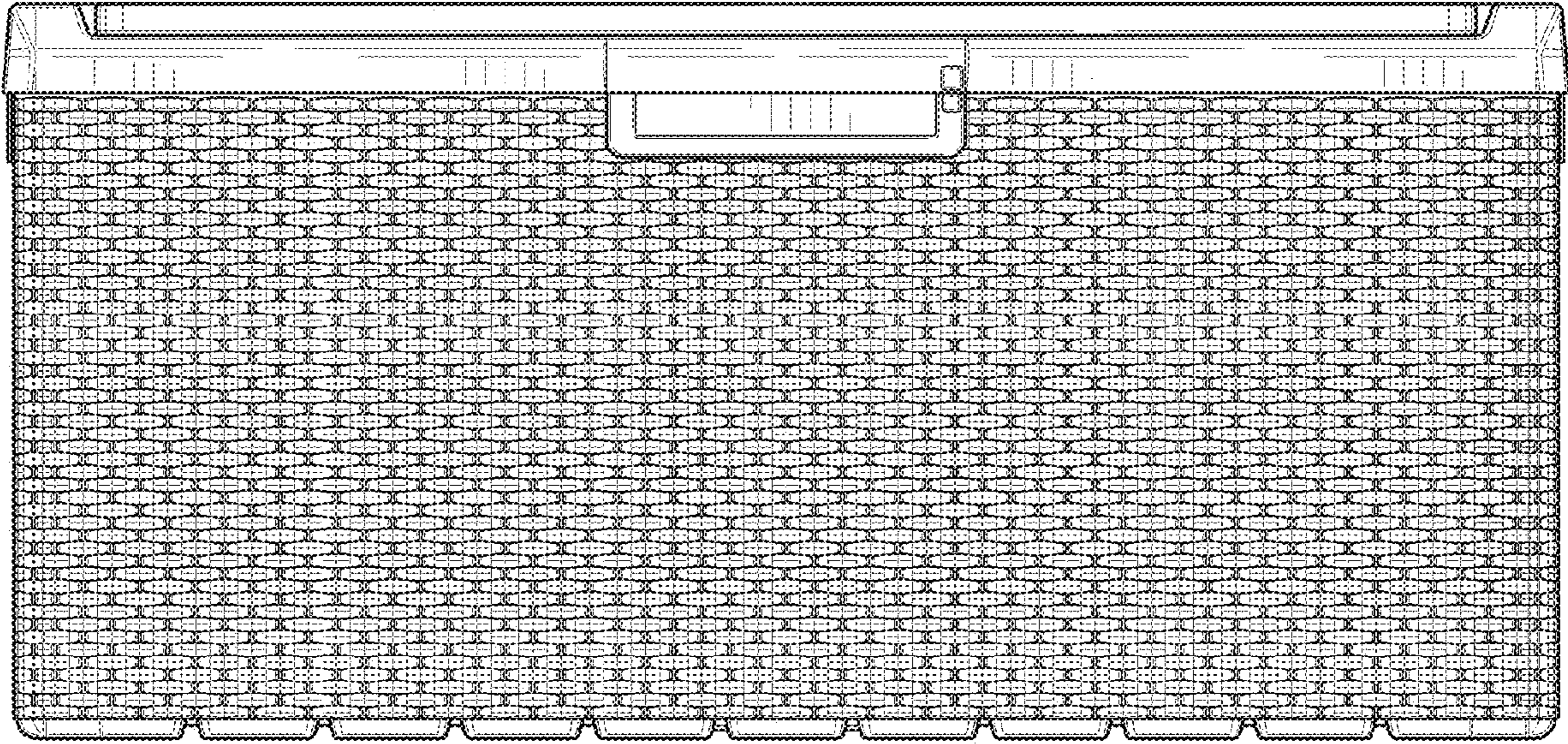
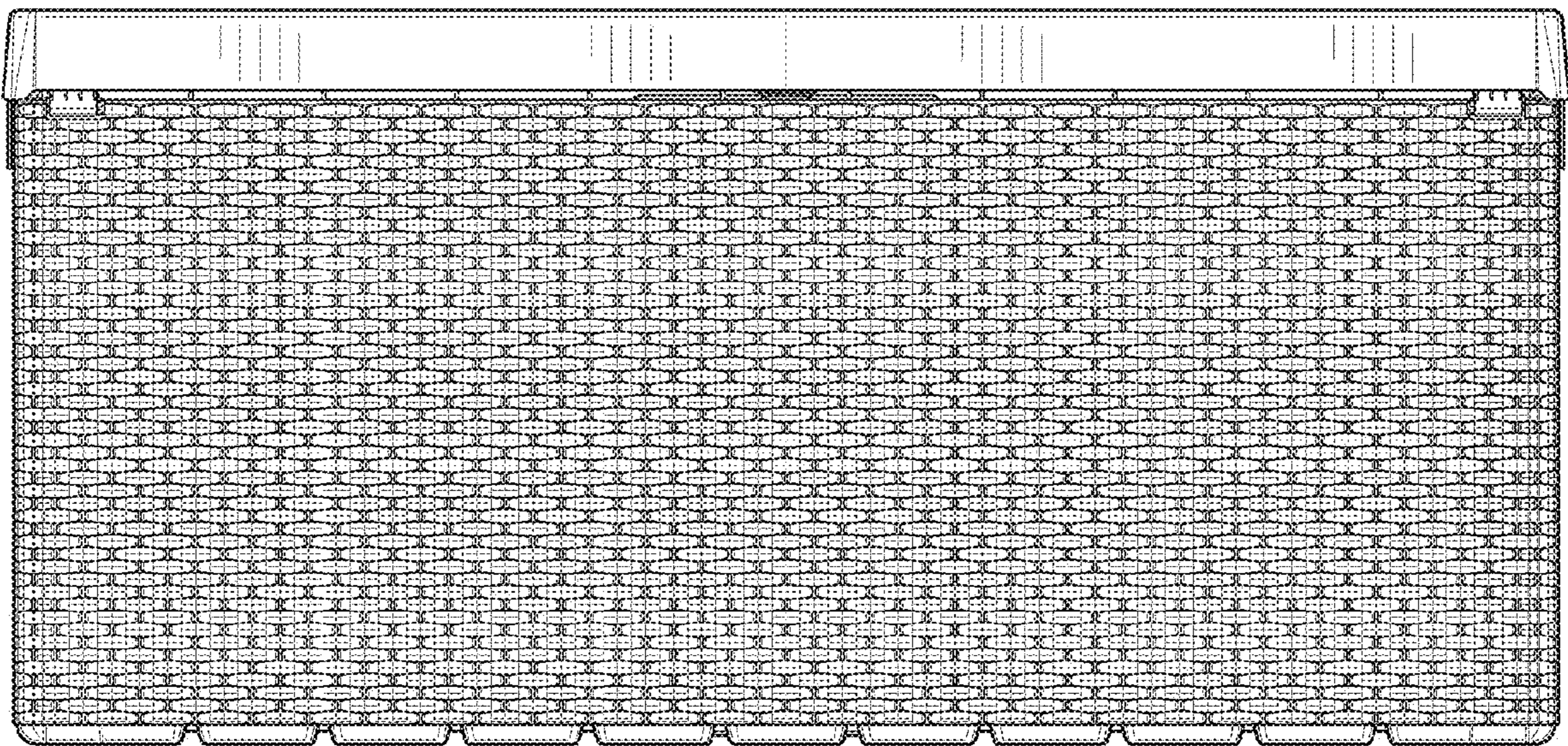


FIG. 1



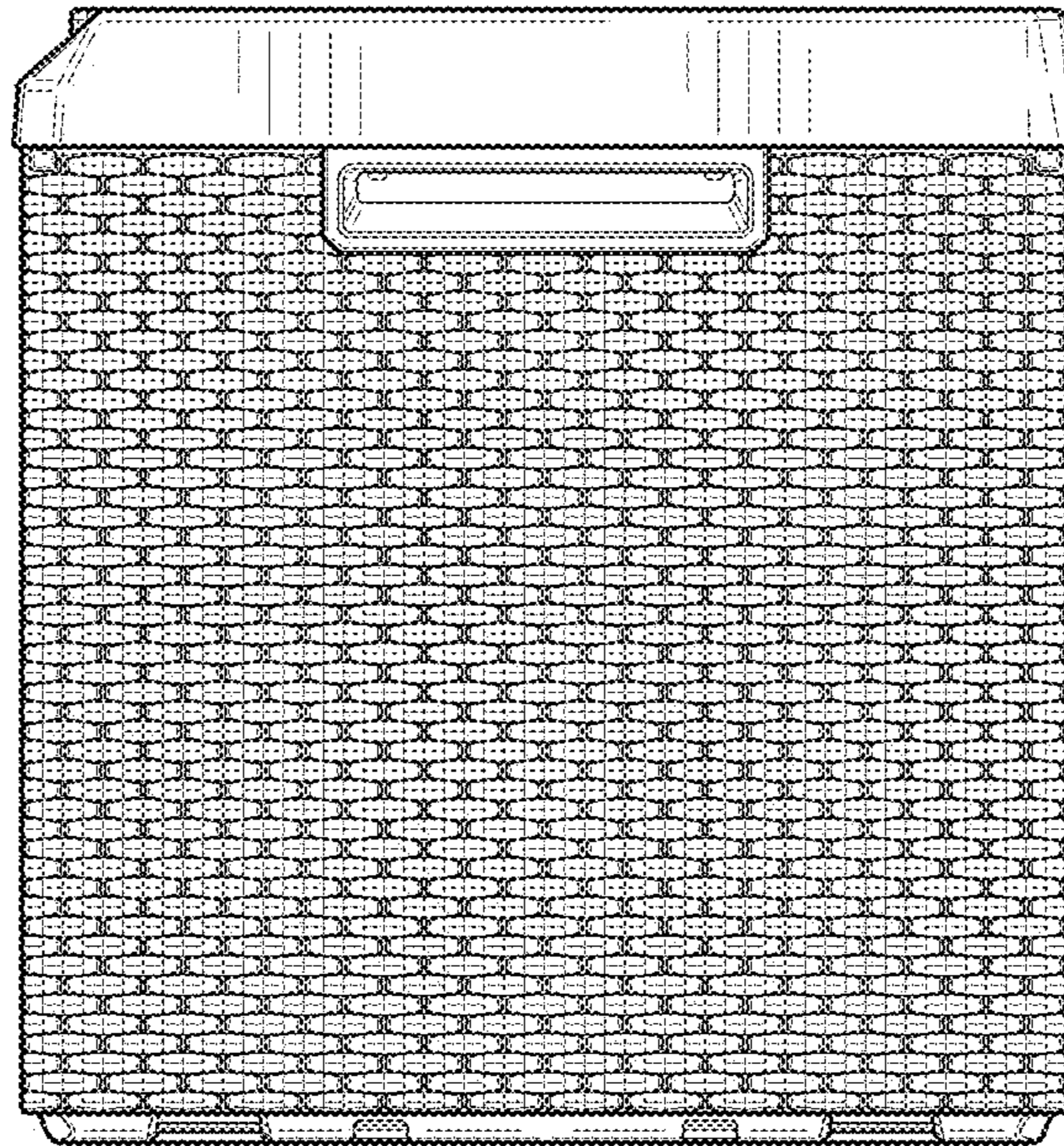


*FIG. 2*

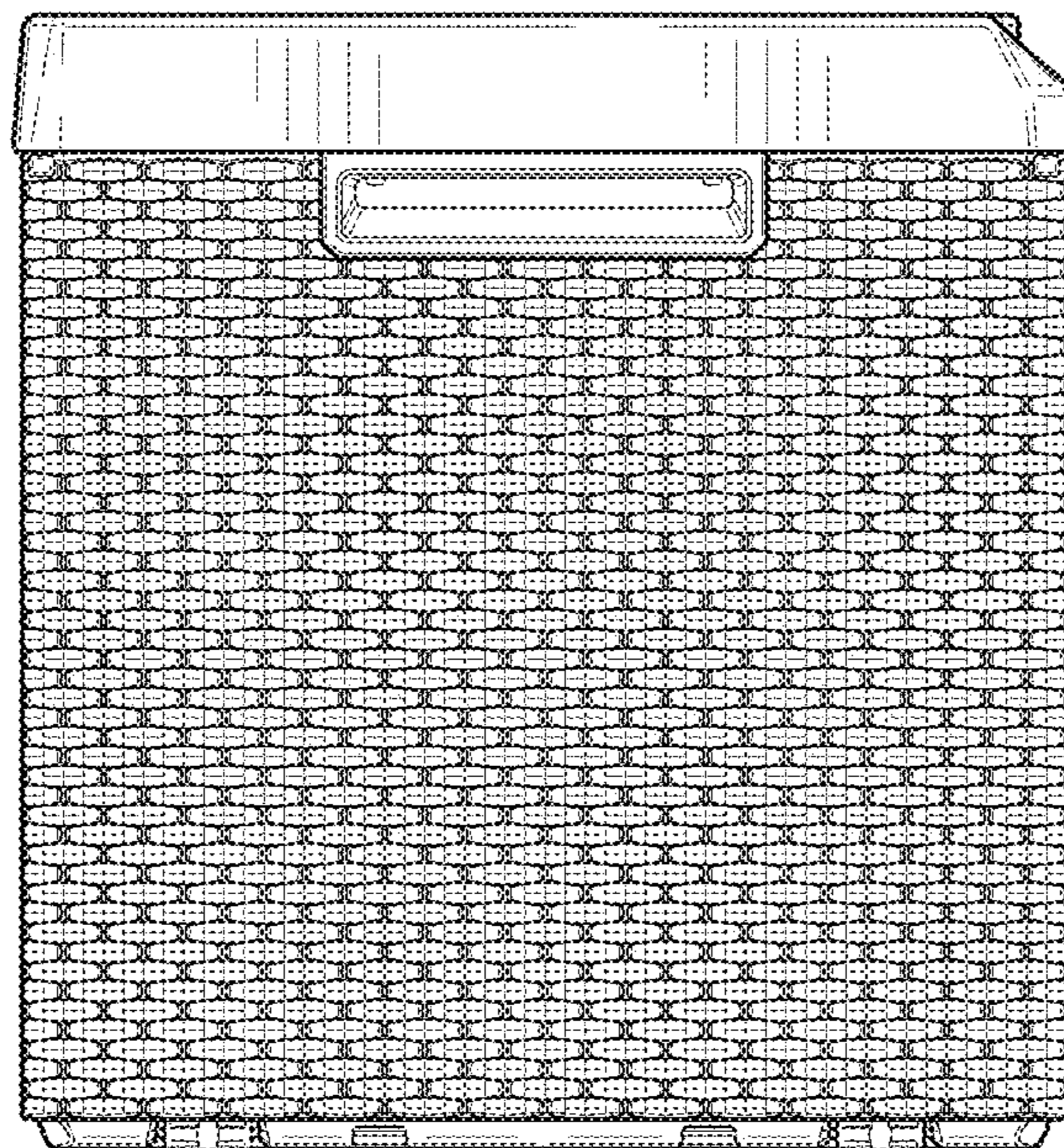


*FIG. 3*

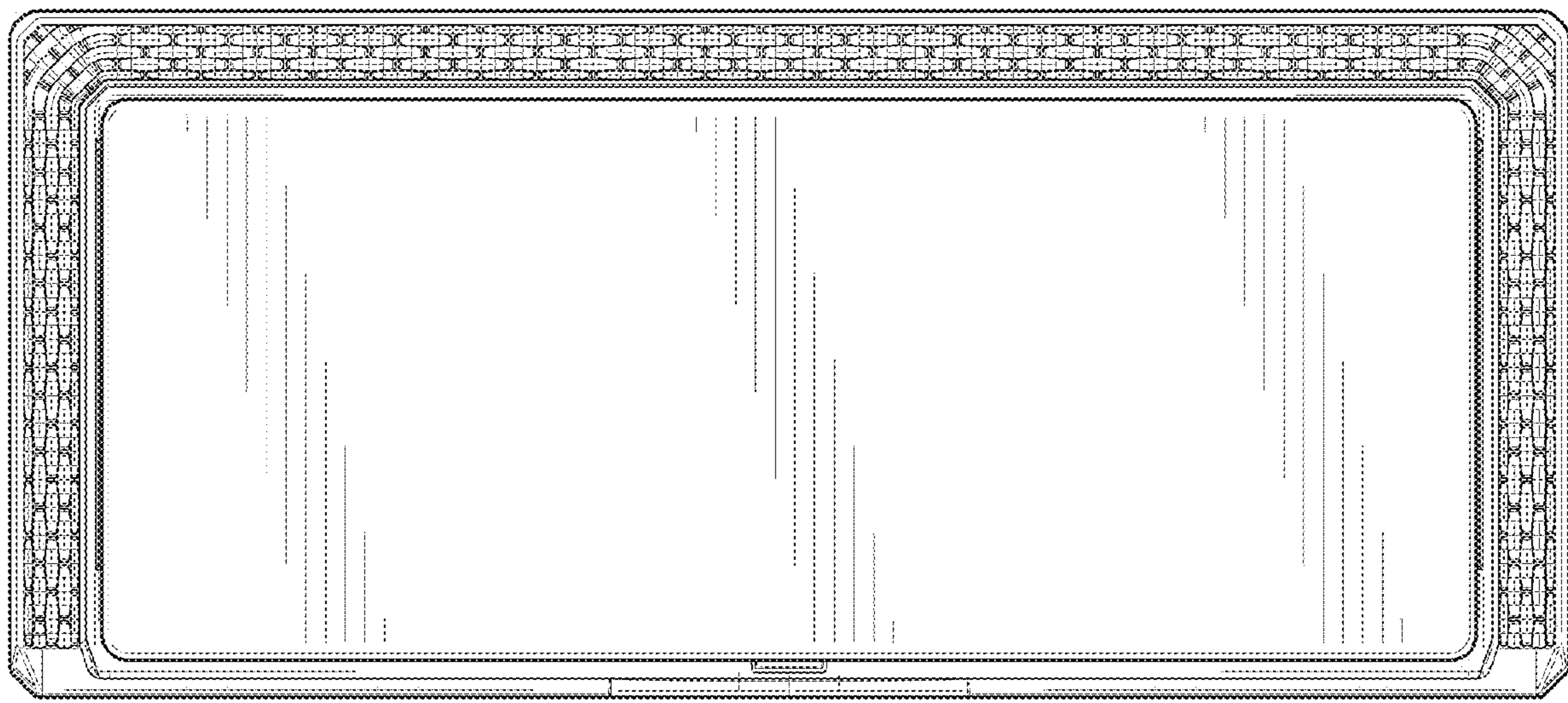




*FIG. 4*



*FIG. 5*



*FIG. 6*