



US00D937013S

(12) **United States Design Patent**
Smith et al.

(10) **Patent No.:** **US D937,013 S**

(45) **Date of Patent:** **** Nov. 30, 2021**

(54) **BARRIER STAND**

(71) Applicants: **William Thomas Smith**, Fair Oaks, CA (US); **Cheryl Ann Smith**, Fair Oaks, CA (US)

(72) Inventors: **William Thomas Smith**, Fair Oaks, CA (US); **Cheryl Ann Smith**, Fair Oaks, CA (US)

(**) Term: **15 Years**

(21) Appl. No.: **29/733,118**

(22) Filed: **Apr. 29, 2020**

(51) **LOC (13) Cl.** **06-03**

(52) **U.S. Cl.**
USPC **D6/643**

(58) **Field of Classification Search**

USPC D6/332, 699.3, 643, 643.1, 644; D25/58
CPC . E06B 9/00; E06B 9/06; E06B 9/0692; E04C
2/54; E04B 2/74; E04B 2/74; E04B
2/74051; E04B 2/7407; E04B 2/7416;
E04B 2/7438; E04B 2/7427; E04B
2/7433; E04B 2/7437; E04B 2002/7483;
E04B 2002/7466; E04B 2002/747; E04B
2002/7487

See application file for complete search history.

(56) **References Cited**

U.S. PATENT DOCUMENTS

D189,919 S * 3/1961 Briggs et al. D6/643.1
D220,111 S * 3/1971 Gianfagna D6/643.1
D537,258 S * 2/2007 Hosoe D6/332
D560,072 S * 1/2008 Willis D6/332
D564,764 S * 3/2008 Springer D6/332
D587,498 S * 3/2009 Iwamuro D6/644
8,011,138 B2 * 9/2011 McGonagle E04H 1/1255
52/36.1

D691,402 S * 10/2013 Parker A47B 97/00
D6/643.1
D727,638 S * 4/2015 Tsuchiyama D6/332
9,255,440 B2 * 2/2016 Alexander A47G 5/00
D762,876 S * 8/2016 Karashima D25/58
9,414,697 B2 * 8/2016 Parshad A47G 5/00
9,487,948 B1 * 11/2016 Bakker E04B 2/7401
9,611,641 B2 * 4/2017 Hamilton A47B 91/00
9,856,643 B1 * 1/2018 Lytle E04C 2/20
10,106,981 B2 * 10/2018 Kopish E04B 2/7453
D878,812 S * 3/2020 Udagawa D6/643
10,760,299 B2 * 9/2020 Preston E04H 17/168

* cited by examiner

Primary Examiner — Doris Clark

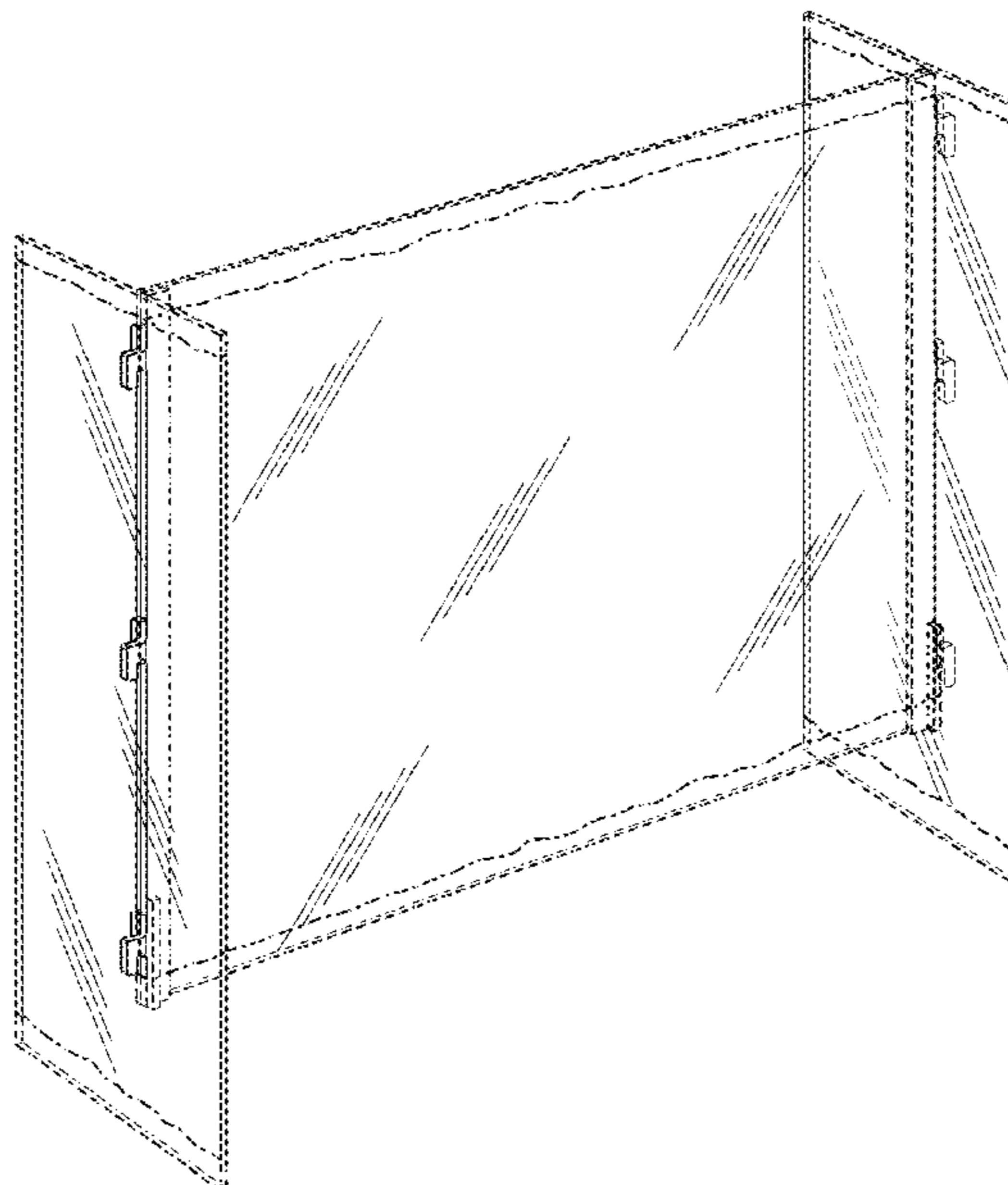
(57) **CLAIM**

The ornamental design for a barrier stand, as shown and described.

DESCRIPTION

FIG. 1 is a perspective view of a barrier stand, in accordance with said Design;
FIG. 2 is a front view of the barrier stand shown in FIG. 1;
FIG. 3 is a left-side view of the barrier stand shown in FIG. 1;
FIG. 4 is a right-side view of the barrier stand shown in FIG. 1;
FIG. 5 is a rear view of the barrier stand shown in FIG. 1;
FIG. 6 is a top plan view of the barrier stand shown in FIG. 1;
FIG. 7 is a bottom plan view of the barrier stand shown in FIG. 1;
FIG. 8 is an exploded view of the barrier stand shown in FIG. 1; and,
FIG. 9 is a perspective view of the barrier stand shown in FIG. 1 showing an environment of said Design.
The oblique line shading in the Figures shows a transparent surface and not surface ornamentation.

1 Claim, 7 Drawing Sheets



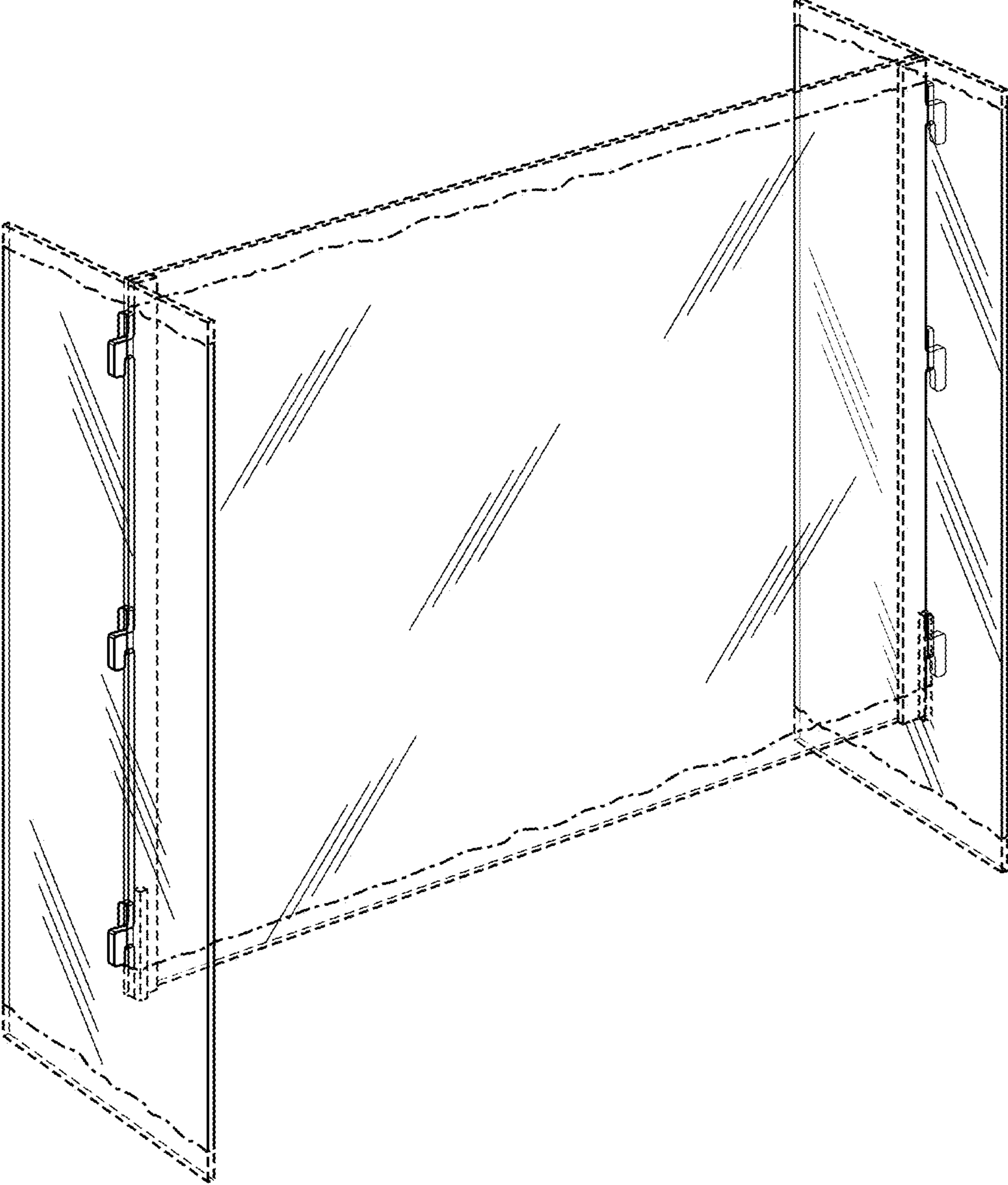


Fig. 1

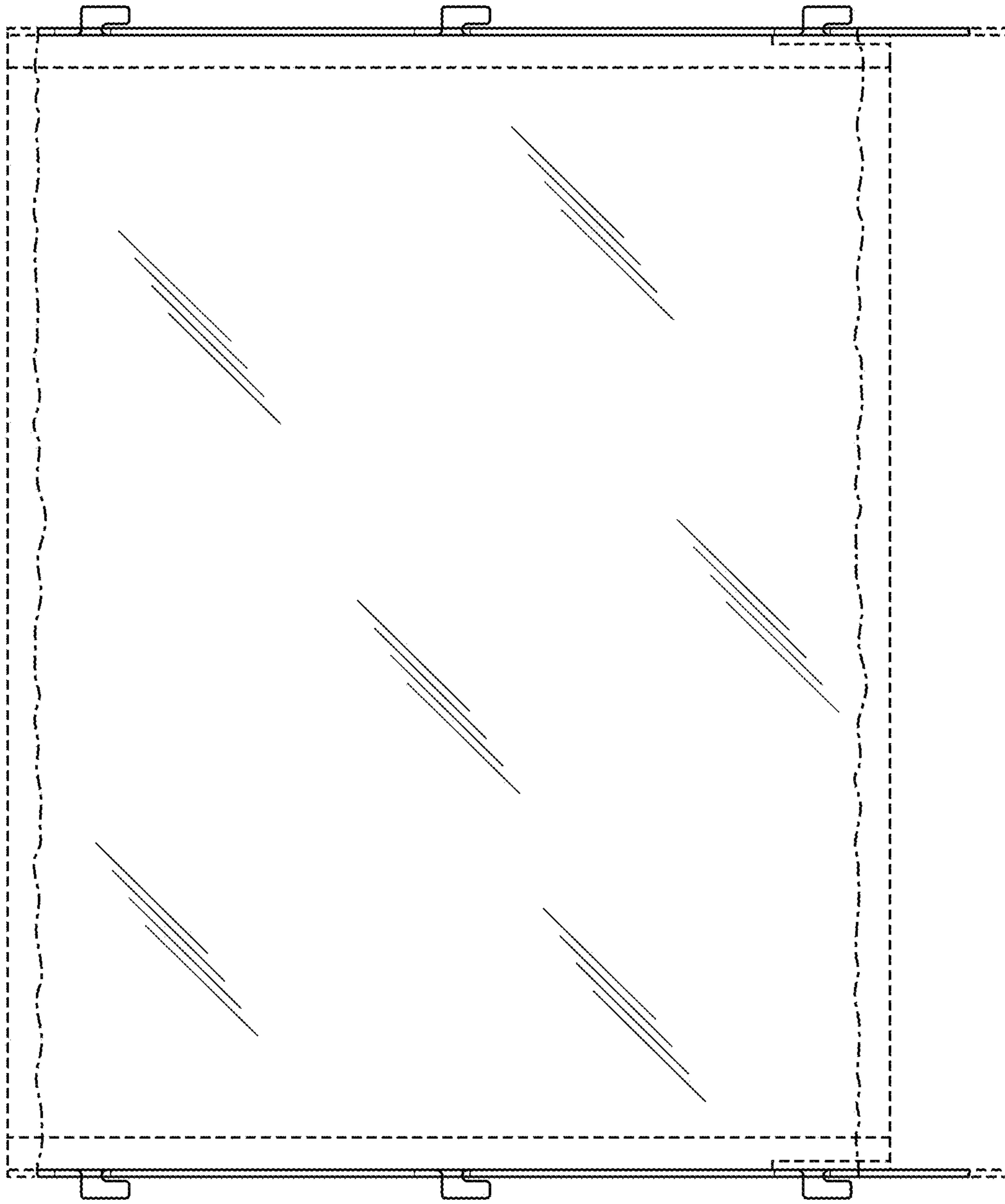


Fig. 2

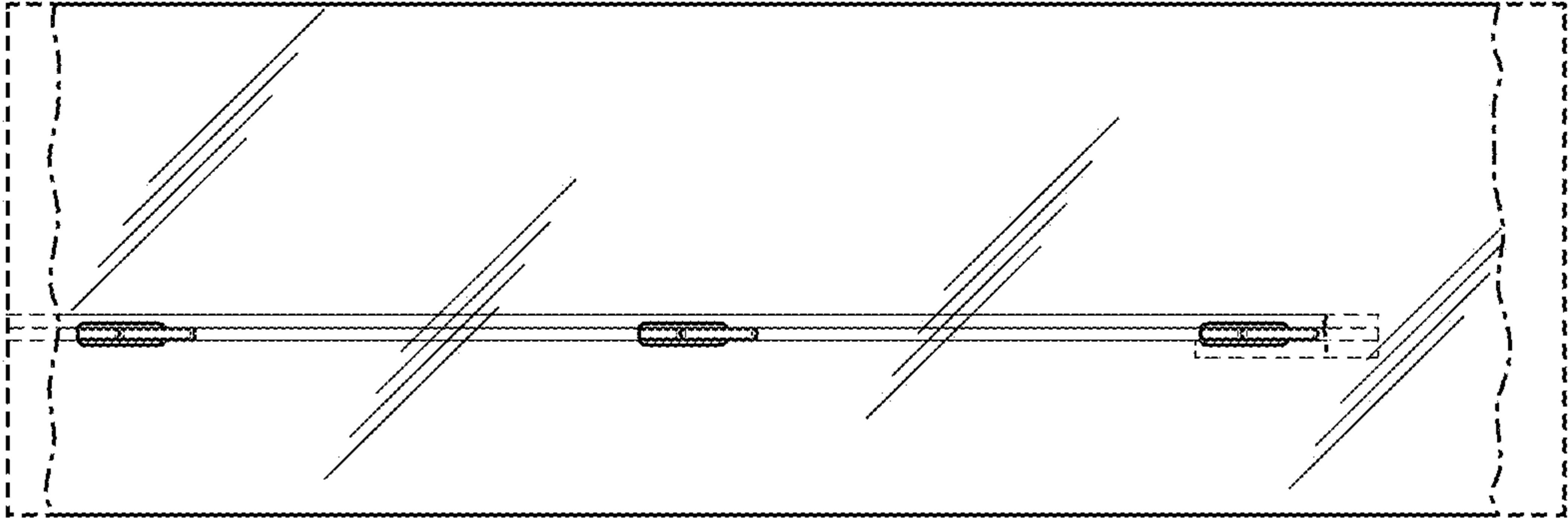


Fig. 4

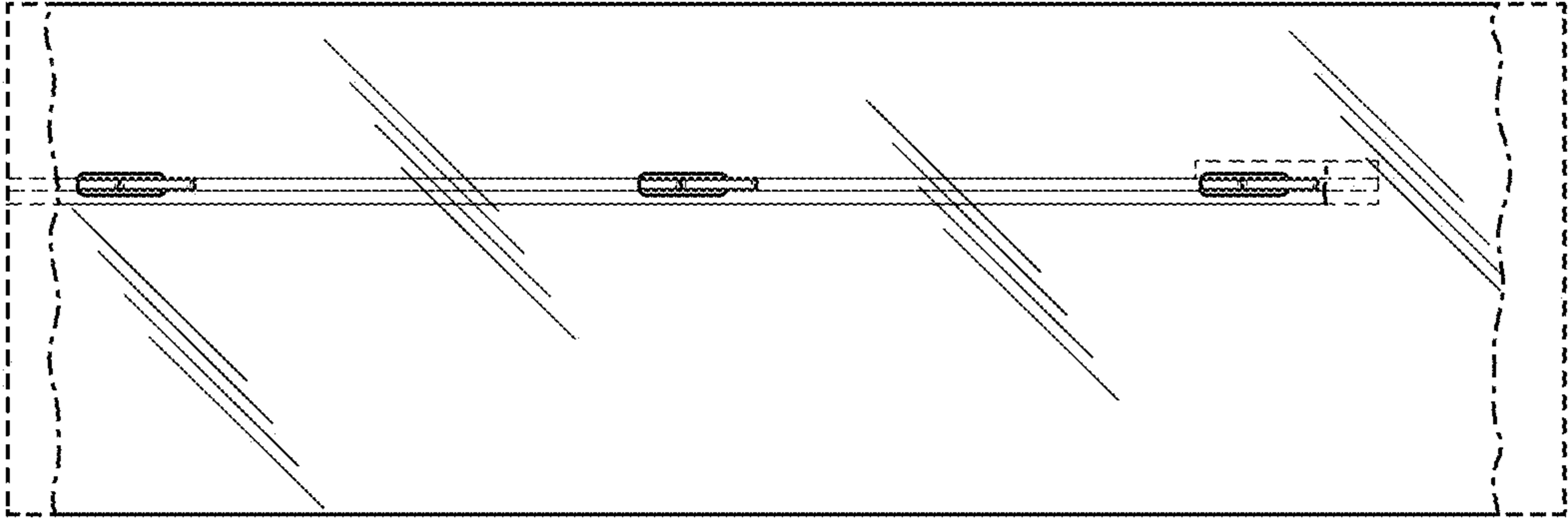


Fig. 3

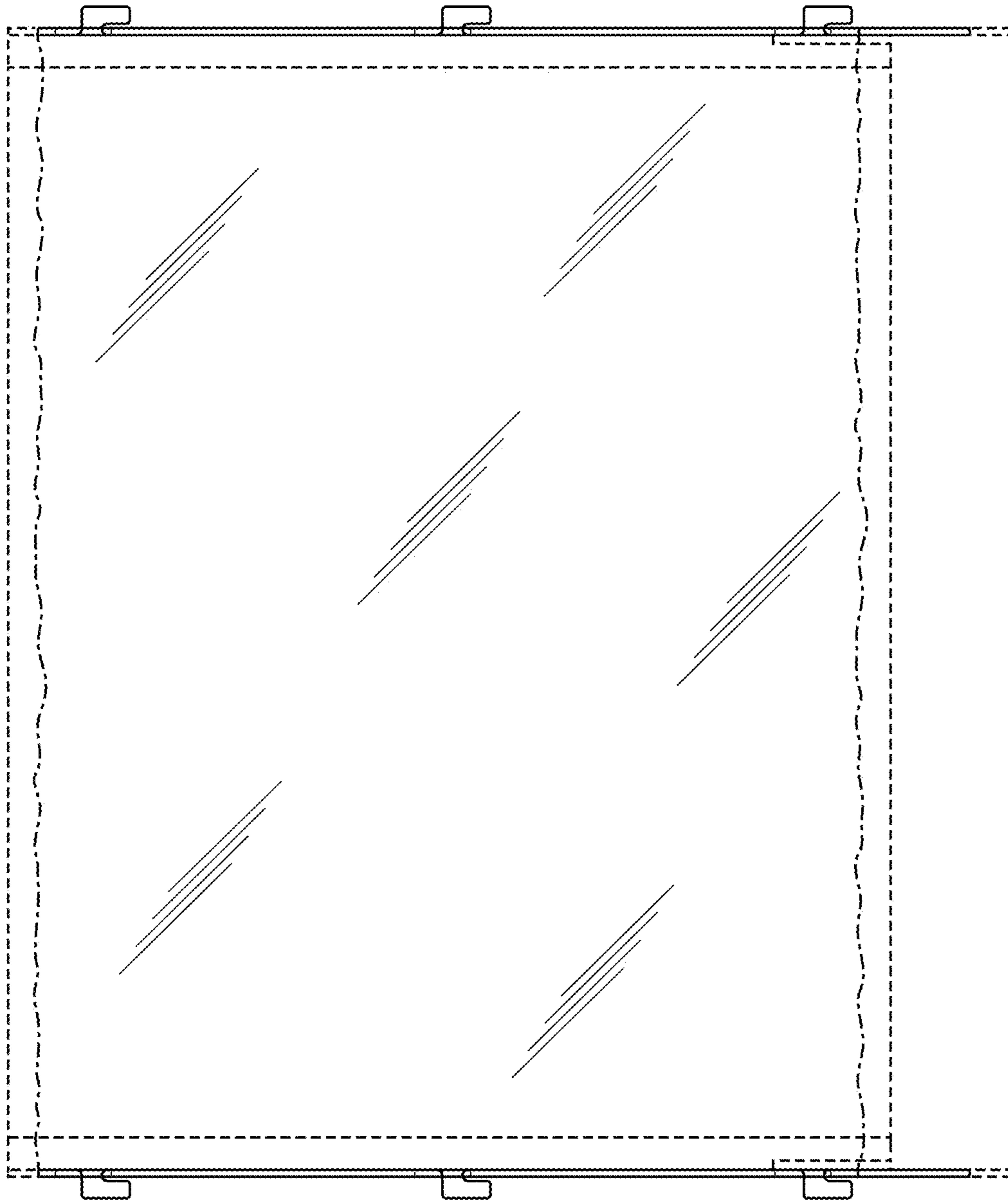


Fig. 5

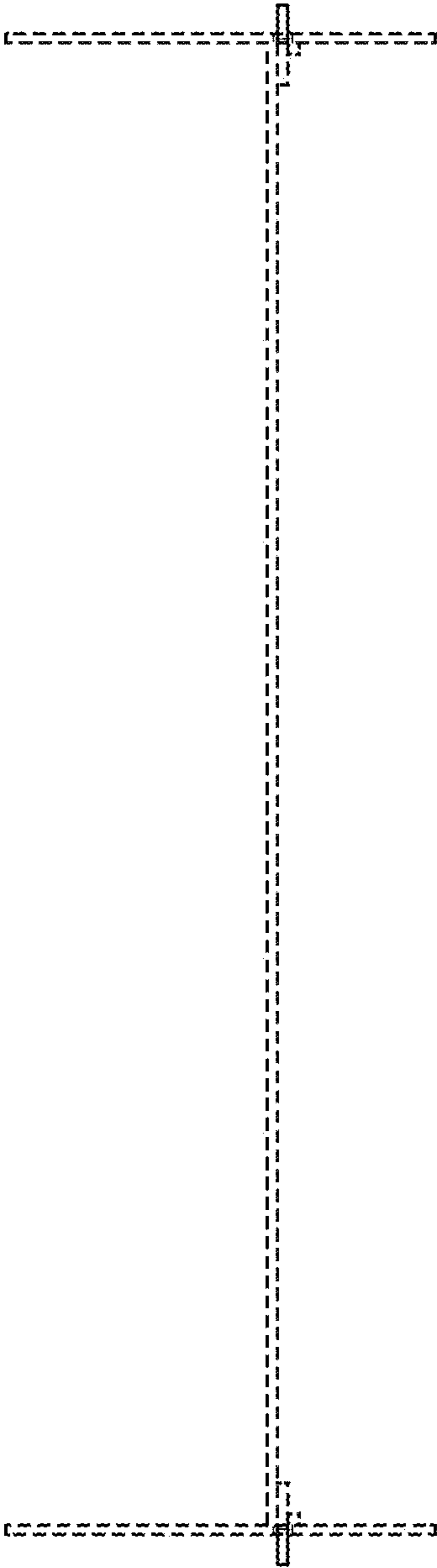


Fig. 6

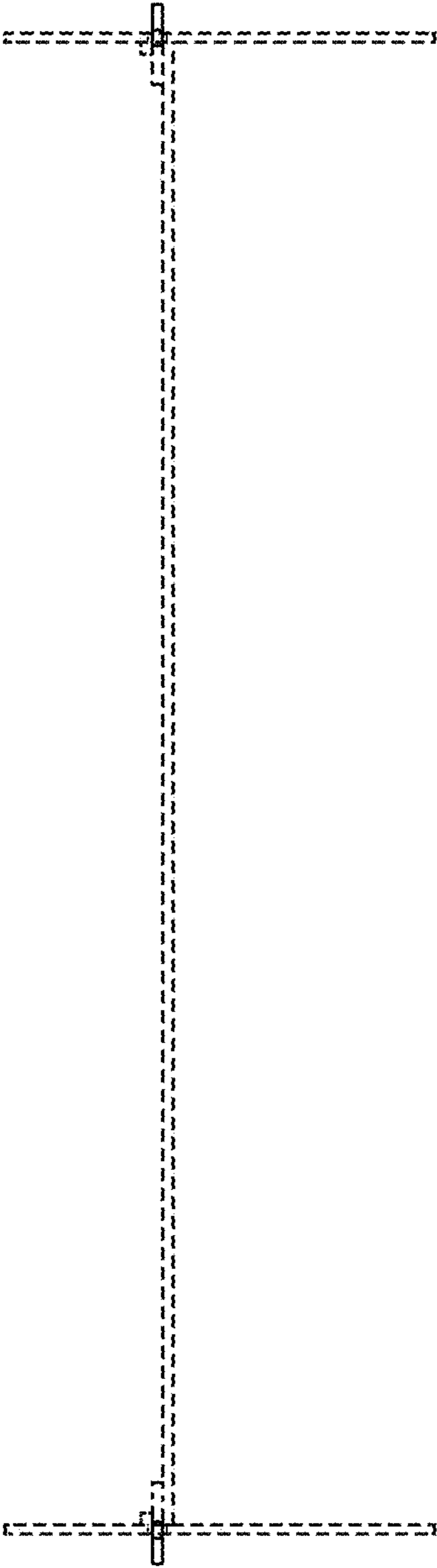


Fig. 7

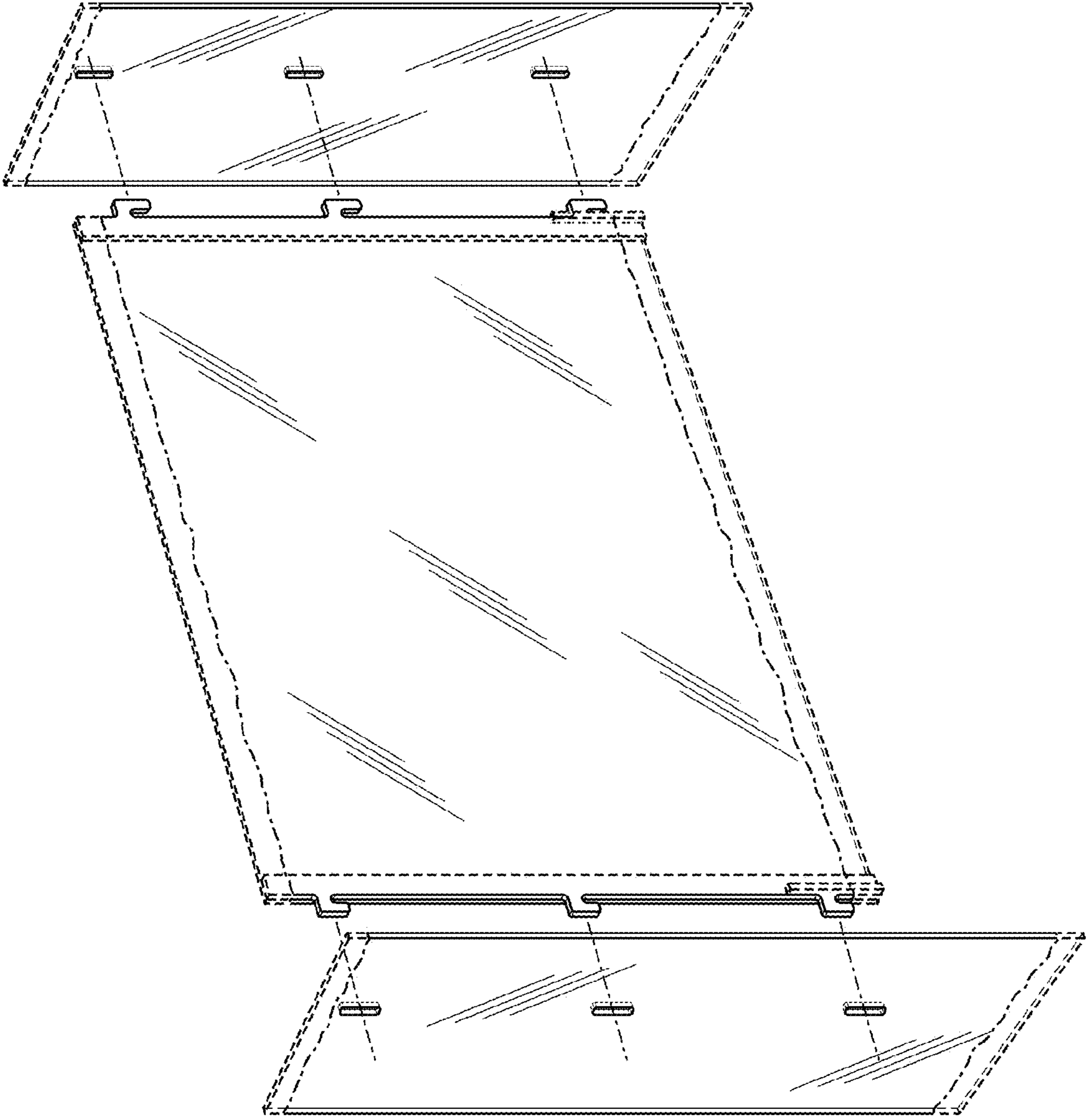


Fig. 8

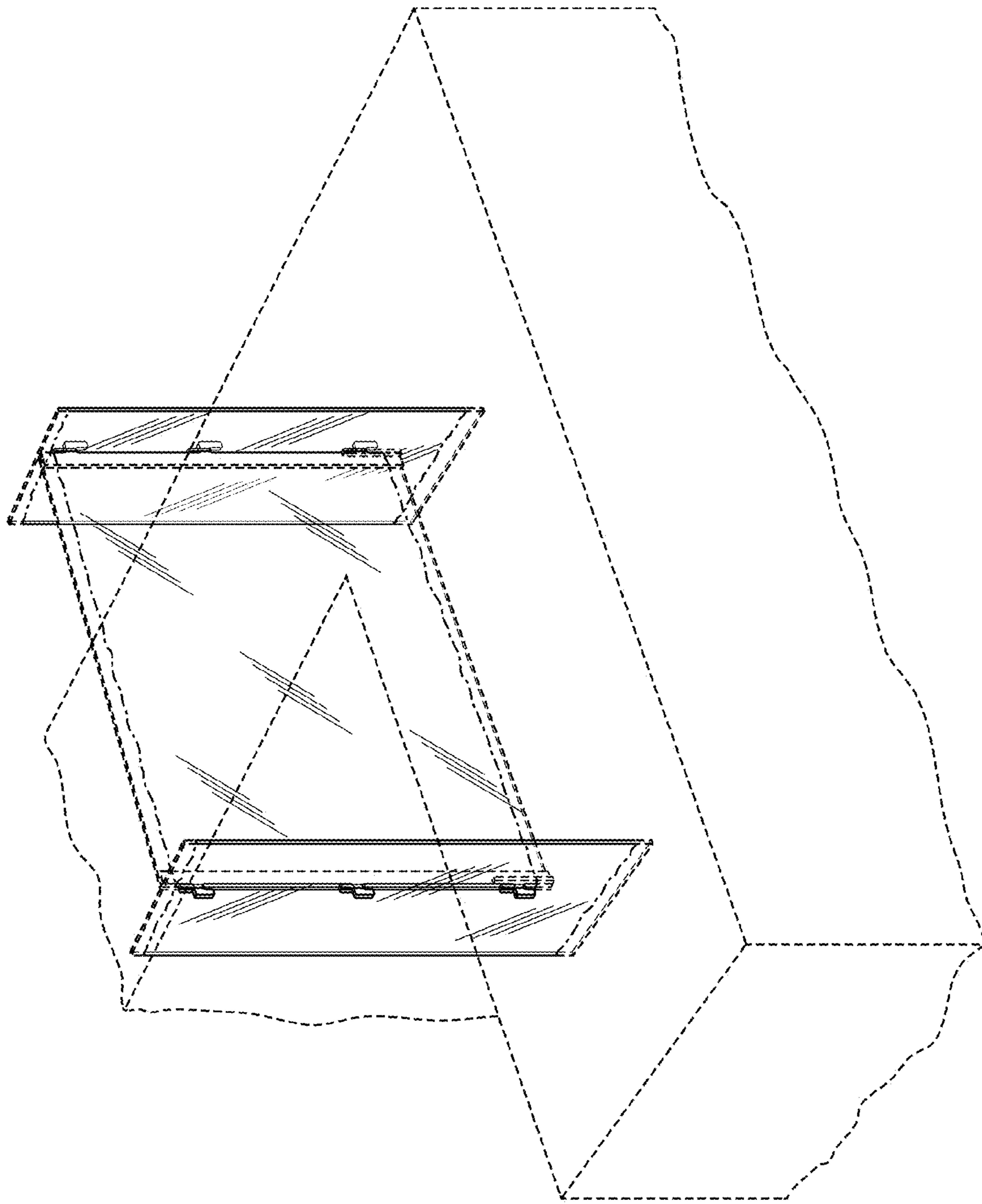


Fig. 9