



US00D937008S

(12) **United States Design Patent**
Anderson

(10) **Patent No.:** **US D937,008 S**

(45) **Date of Patent:** **** Nov. 30, 2021**

(54) **PILLOW COVER WITH SLEEVE**

(71) Applicant: **Rhea N. Anderson**, Parkville, MO (US)

(72) Inventor: **Rhea N. Anderson**, Parkville, MO (US)

(**) Term: **15 Years**

(21) Appl. No.: **29/695,610**

(22) Filed: **Jun. 20, 2019**

(51) **LOC (13) Cl.** **06-09**

(52) **U.S. Cl.**
USPC **D6/601**

(58) **Field of Classification Search**
USPC D6/582-583, 587-592, 595-609,
D6/617-622; D21/803-809; D24/183
CPC A47G 9/00; A47G 2009/001; A47G
2009/002; A47G 2009/003; A47G 9/10;
A47G 9/1009; A47G 2009/1018; A47G
9/1045; A47G 9/1081; A47G 9/109;
A47G 9/0253

See application file for complete search history.

5,438,719 A 8/1995 Anthony
5,450,640 A 9/1995 Patton et al.
5,991,946 A 11/1999 Harris
5,996,147 A 12/1999 Trimble
6,049,925 A 4/2000 Lewis
6,415,466 B1 * 7/2002 Laiso A47G 9/02
5/482
6,539,565 B1 4/2003 Trimble
D482,923 S * 12/2003 Gaines D6/601
D485,723 S * 1/2004 Salazar D6/601
D531,443 S * 11/2006 Sabeti D6/608
D613,543 S * 4/2010 Tinker, Sr. D6/601
7,971,292 B1 * 7/2011 Sithian A47C 20/021
5/485
D651,841 S * 1/2012 Nayman D6/601
8,438,679 B2 5/2013 Wootten, Jr.
8,490,229 B2 7/2013 Mintz
D702,971 S * 4/2014 Mitchell D6/601
8,984,683 B2 3/2015 Mintz
D728,271 S * 5/2015 Cohen D6/601
D740,055 S * 10/2015 Dodda D6/608

(Continued)

Primary Examiner — Jennifer L Rempfer
(74) *Attorney, Agent, or Firm* — Law Office of Mark
Brown, LLC; Christopher M. DeBacker

(56) **References Cited**

U.S. PATENT DOCUMENTS

1,343,881 A 6/1920 Christensen
1,871,003 A 8/1932 Longletz et al.
2,357,789 A * 9/1944 Levy A47G 9/0253
5/490
2,462,780 A 2/1949 Schiller
2,586,031 A 2/1952 Hahne
3,148,388 A 9/1964 Espersen
3,638,251 A * 2/1972 Weiss A47G 9/02
5/485
3,800,340 A 4/1974 Valentine
4,014,055 A 3/1977 Torres
4,924,543 A 5/1990 Hoss et al.
5,326,610 A * 7/1994 Moss A47K 7/03
15/208
5,331,699 A 7/1994 Patton et al.

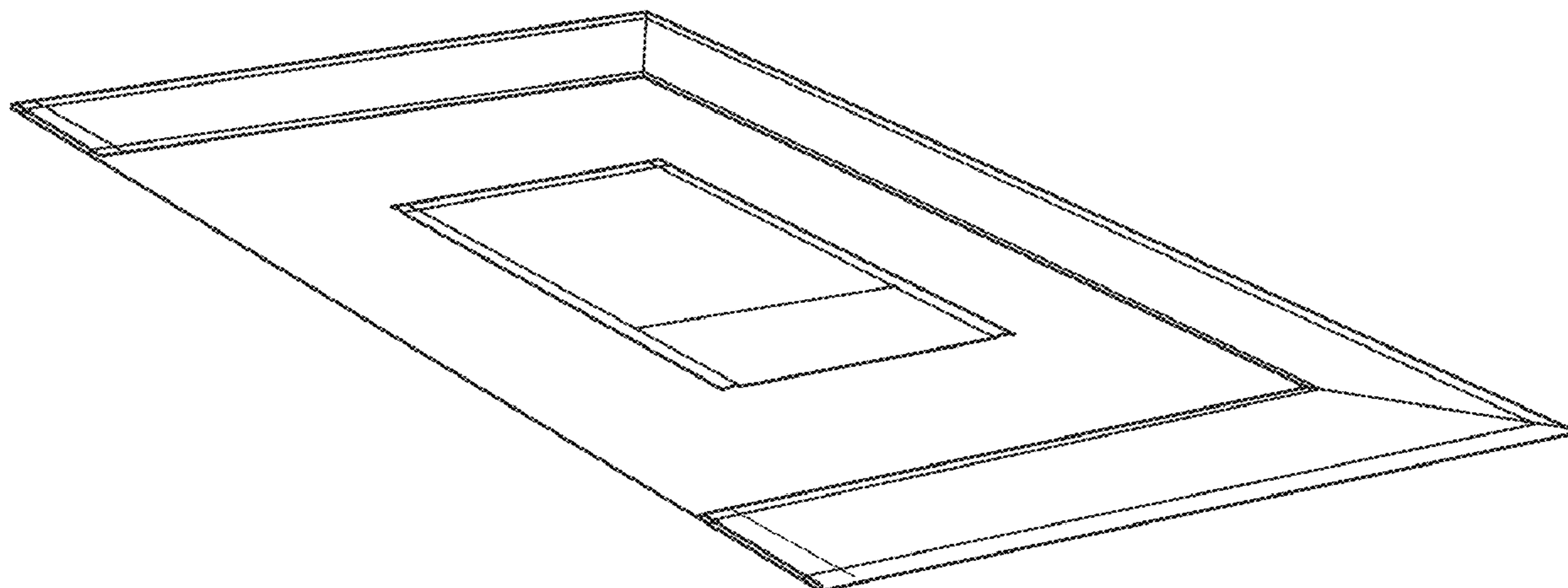
(57) **CLAIM**

The ornamental design for a pillow cover with sleeve, as shown and described.

DESCRIPTION

FIG. 1 is a three-dimensional isometric view of a pillow cover with sleeve.
FIG. 2 is a top plan view thereof.
FIG. 3 is a rear plan view thereof.
FIG. 4 is a front elevational view thereof; and,
FIG. 5 is a side sectional view taken about the line of FIG. 2.

1 Claim, 4 Drawing Sheets



(56)

References Cited

U.S. PATENT DOCUMENTS

D757,462	S *	5/2016	Mathews	D6/608
9,332,853	B2	5/2016	Mintz	
9,924,812	B1	3/2018	Kennedy	
D834,352	S *	11/2018	Oyekan	D6/608
D850,158	S *	6/2019	Daniels	D6/603
D869,879	S *	12/2019	Kubish	D6/602
11,045,010	B2 *	6/2021	Anderson	A47G 9/0253
2009/0205134	A1	8/2009	Wootten, Jr.	
2009/0229054	A1 *	9/2009	Yates	A47G 9/0253 5/490
2012/0159710	A1	6/2012	Mintz	
2013/0247297	A1	9/2013	Wooten, Jr.	
2013/0291302	A1	11/2013	Mintz	
2015/0189995	A1	7/2015	Mintz	
2020/0253386	A1 *	8/2020	Anderson	A47G 9/0253

* cited by examiner

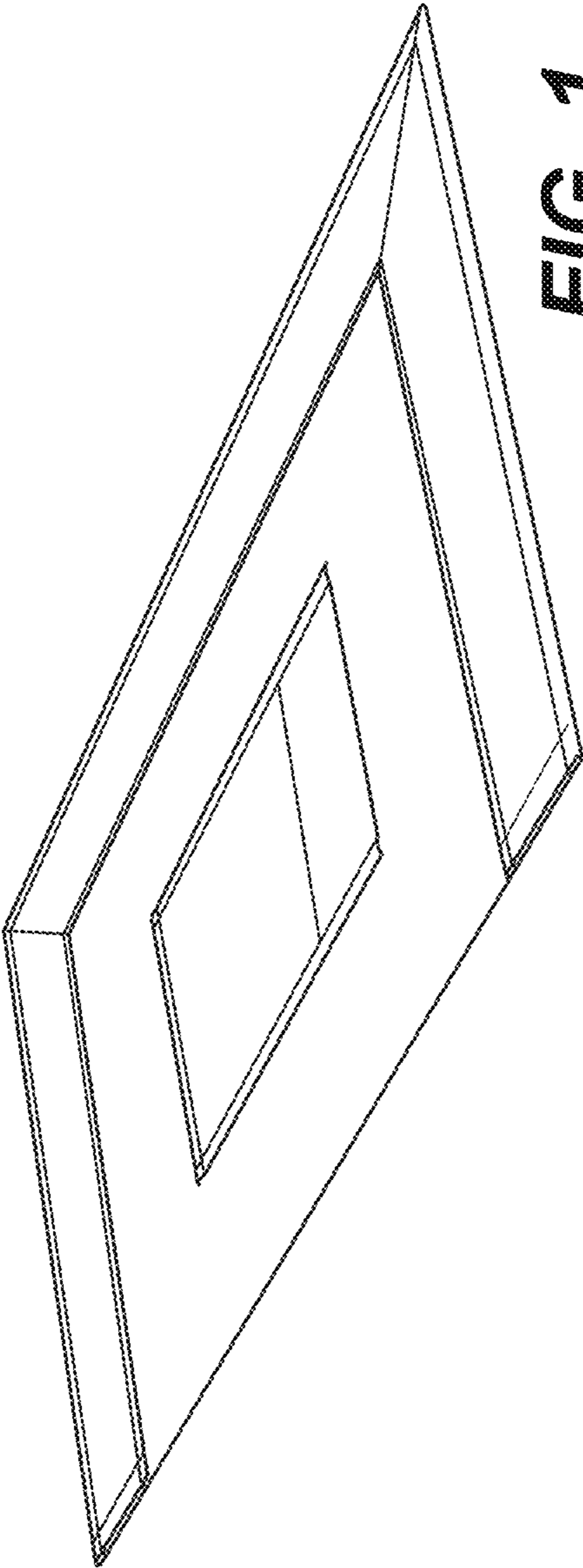
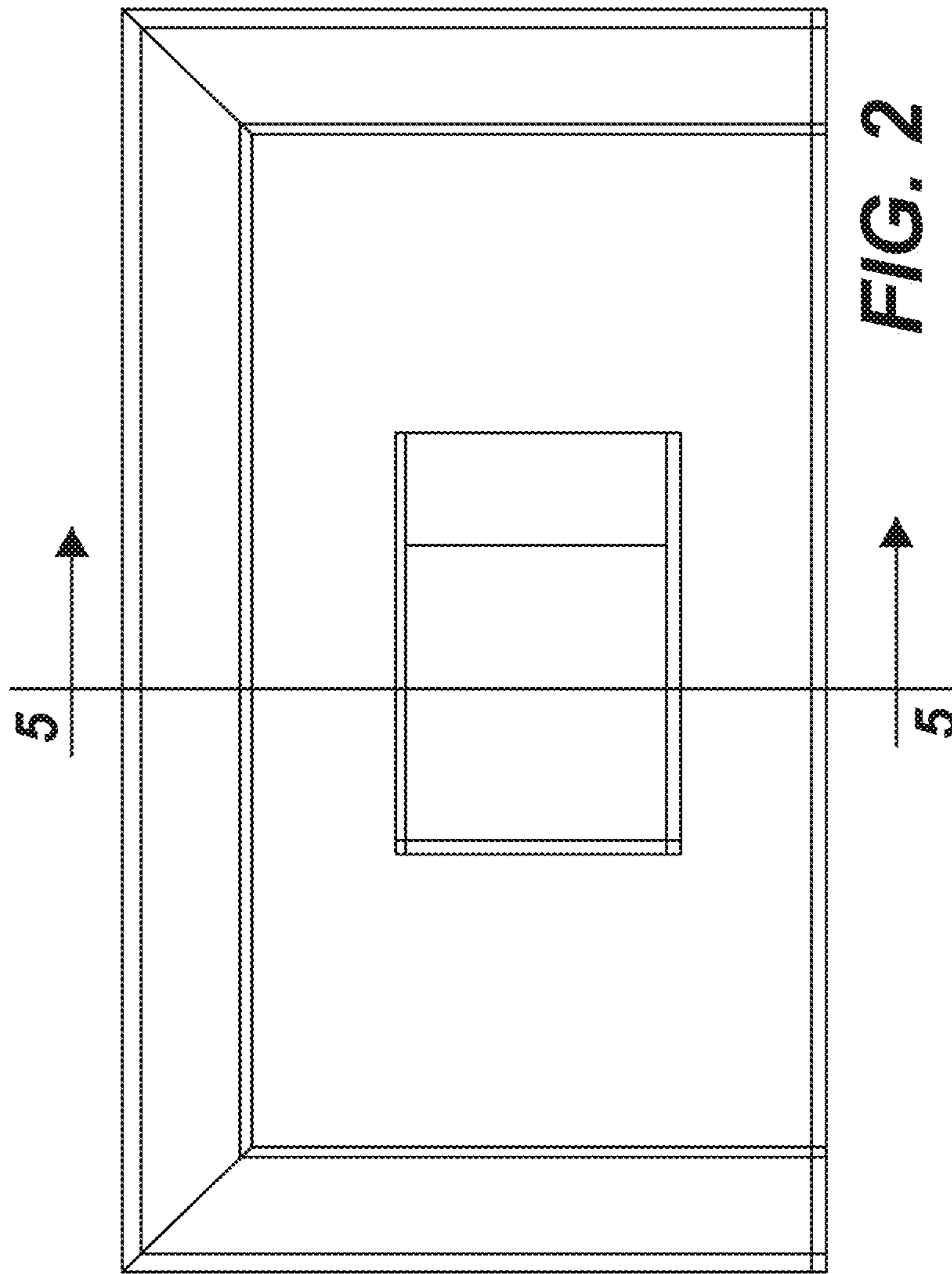


FIG. 1



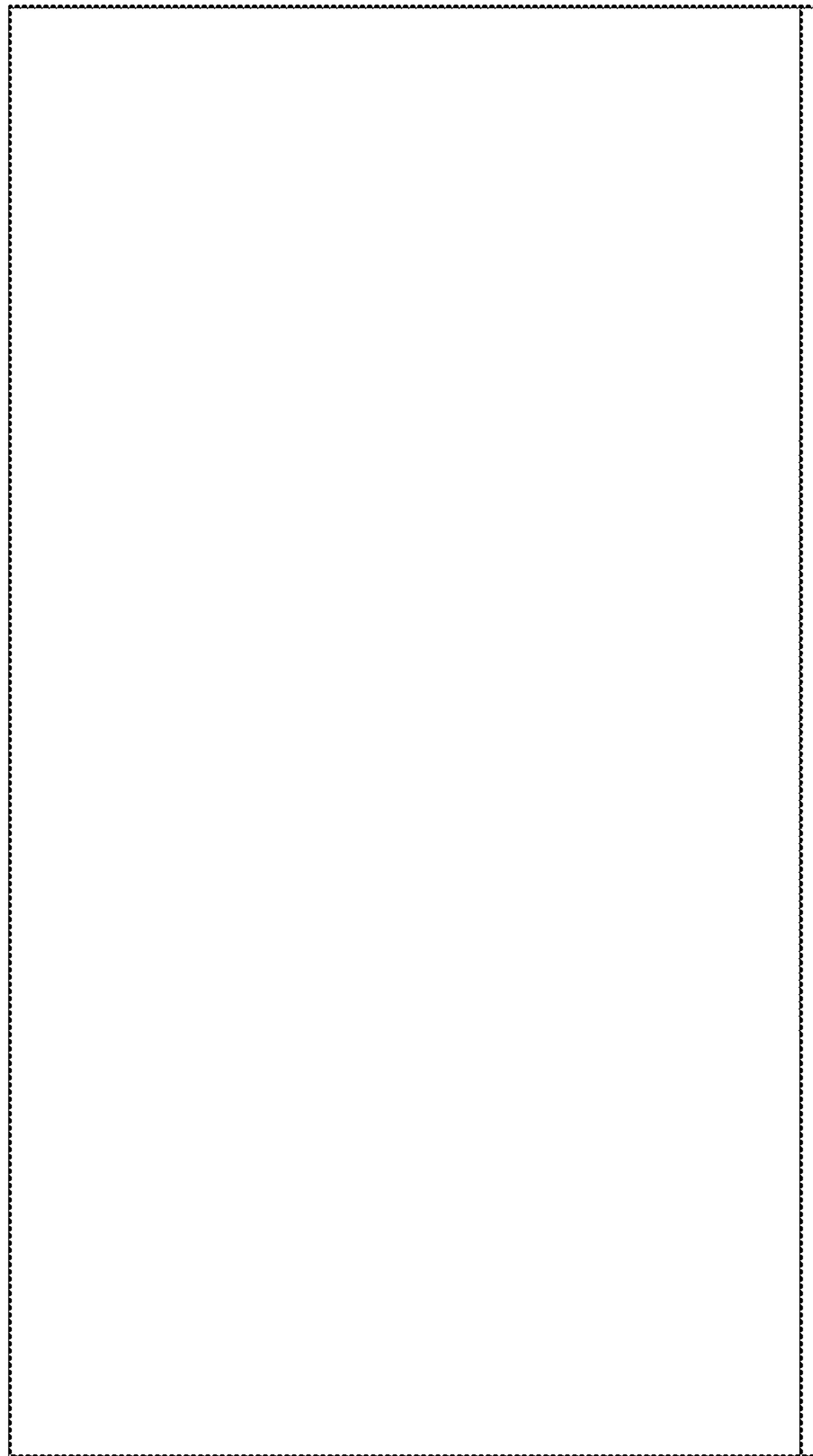


FIG. 3

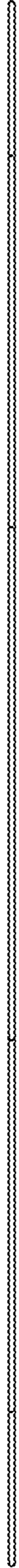


FIG. 4

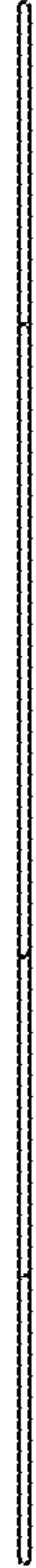


FIG. 5