



US00D937005S

(12) **United States Design Patent** (10) **Patent No.:** **US D937,005 S**
Lai (45) **Date of Patent:** **** Nov. 30, 2021**

(54) **COMBINATION WALL RACK WITH KEY HOOKS**

(71) Applicant: **My Gift Enterprise, LLC**,
Woodinville, WA (US)

(72) Inventor: **Sin Lai**, Woodinville, WA (US)

(**) Term: **15 Years**

(21) Appl. No.: **29/694,174**

(22) Filed: **Jun. 7, 2019**

(51) **LOC (13) Cl.** **06-04**

(52) **U.S. Cl.**
USPC **D6/574**

(58) **Field of Classification Search**
USPC D6/569, 672, 320-324, 574, 553, 566,
D6/571; D7/698, 704; D26/72;
108/28-29, 152; 211/13.1, 42, 86.01,
211/88.01, 90.01, 90.03, 126.1, 134, 153;
248/205.3, 235, 243, 247, 250
CPC A47B 43/00; A47B 43/04; A47B 47/0066;
A47B 47/04; A47B 63/00; A47B 69/00;
A47B 71/00
See application file for complete search history.

(56) **References Cited**

U.S. PATENT DOCUMENTS

D314,115 S * 1/1991 Murphy D6/572
D547,138 S * 7/2007 Goodman D6/566

D592,436 S * 5/2009 Thompson D6/574
D672,594 S * 12/2012 Kozak D6/566
D673,404 S * 1/2013 Grandidier D6/569
D775,477 S * 1/2017 Corless D6/320
D846,304 S * 4/2019 Allen D6/574
D880,190 S * 4/2020 Williams D6/553
D880,191 S * 4/2020 Lai D6/571

* cited by examiner

Primary Examiner — Wan Laymon

Assistant Examiner — Mark Booker

(74) *Attorney, Agent, or Firm* — Dean A Craine; Marisa C Whitaker

(57) **CLAIM**

The ornamental design for a combination wall rack with key hooks, as shown and described.

DESCRIPTION

FIG. 1 is a front perspective view of a combination wall rack with key hooks.

FIG. 2 is a front elevation view thereof.

FIG. 3 is a rear elevation thereof.

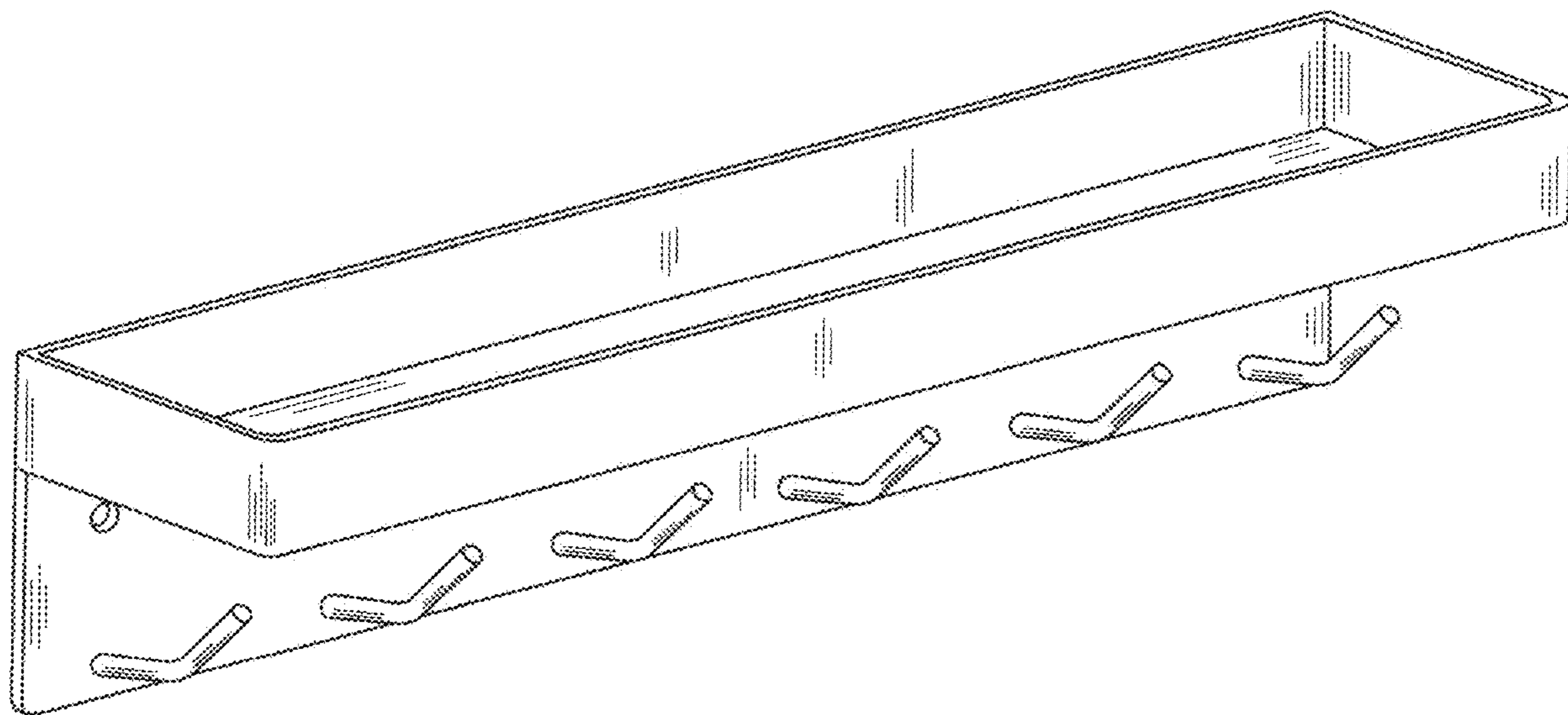
FIG. 4 is a top plan view thereof.

FIG. 5 is a bottom plan view thereof.

FIG. 6 is a left side elevation view thereof; and,

FIG. 7 is a right side elevation view thereof.

1 Claim, 7 Drawing Sheets



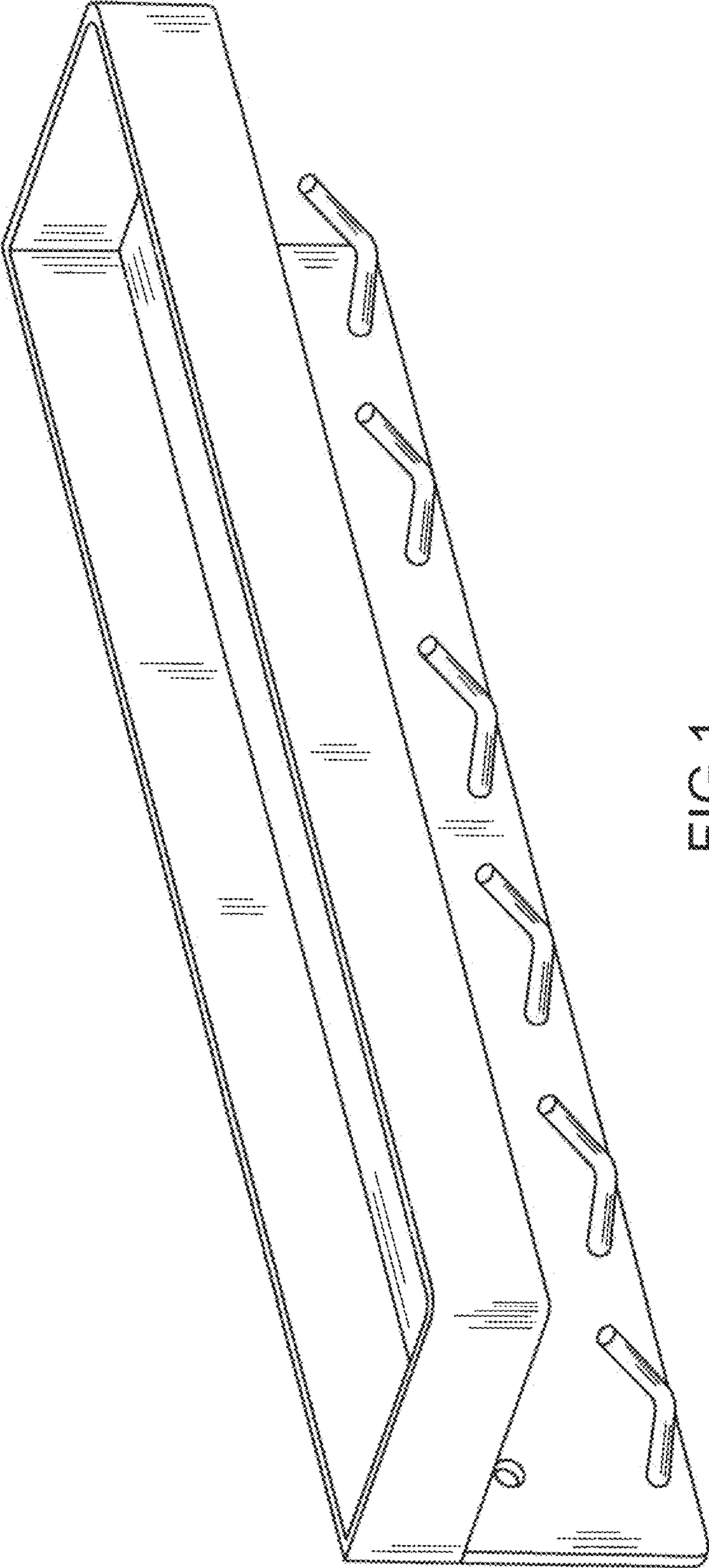


FIG.1

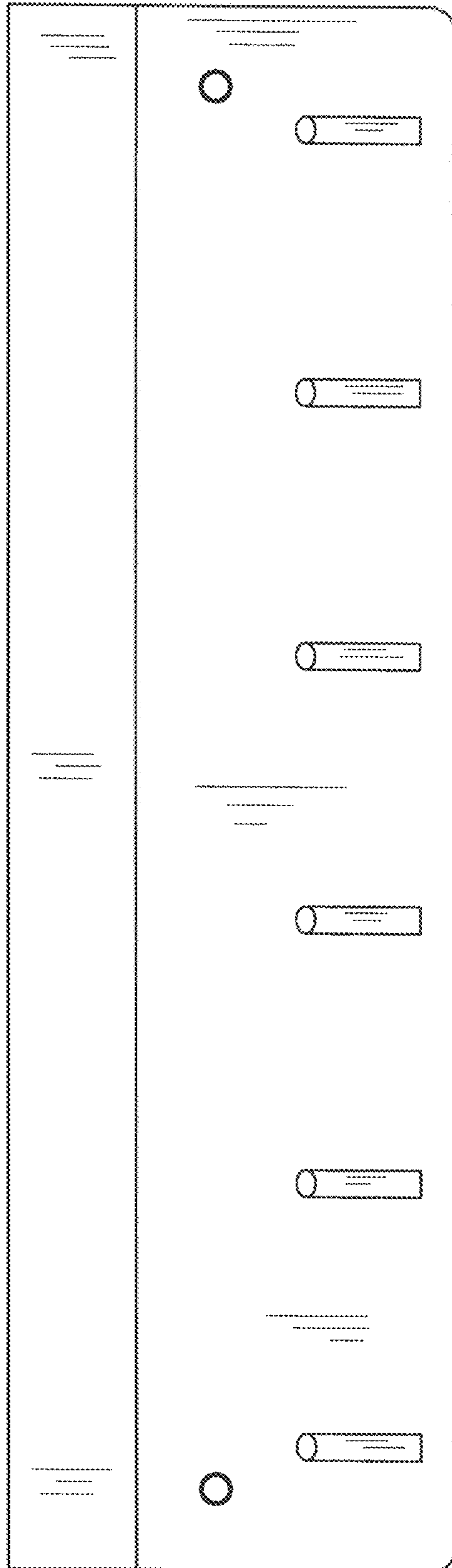


FIG. 2

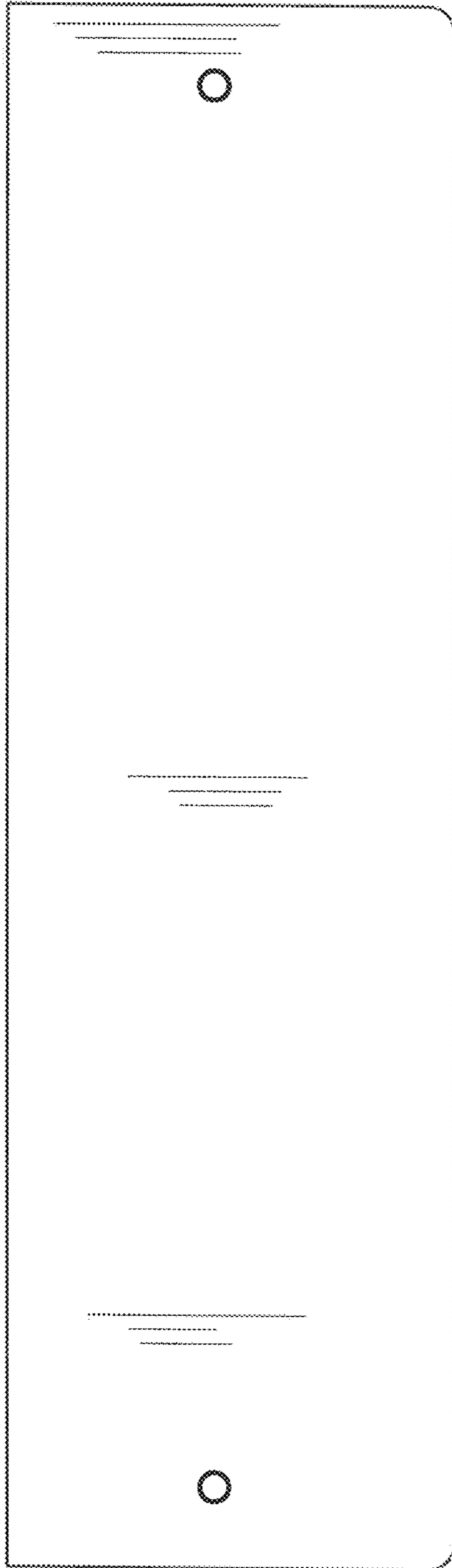


FIG. 3

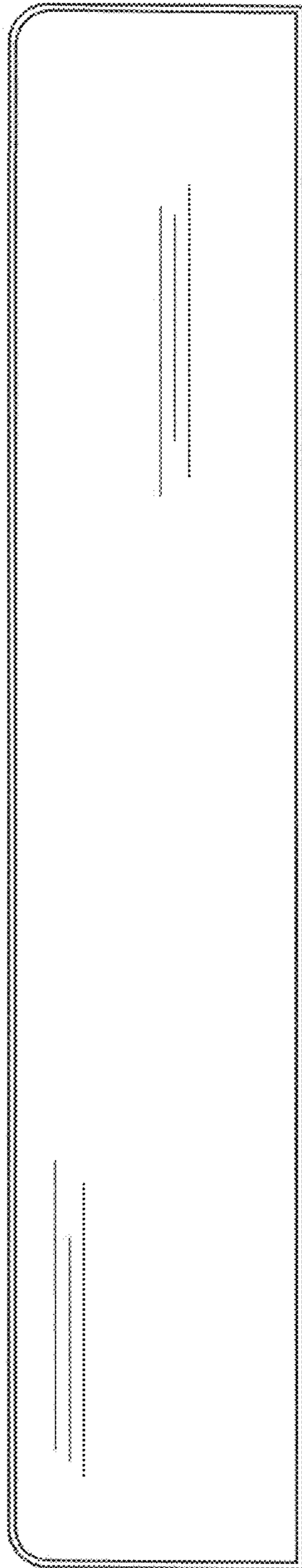


FIG.4

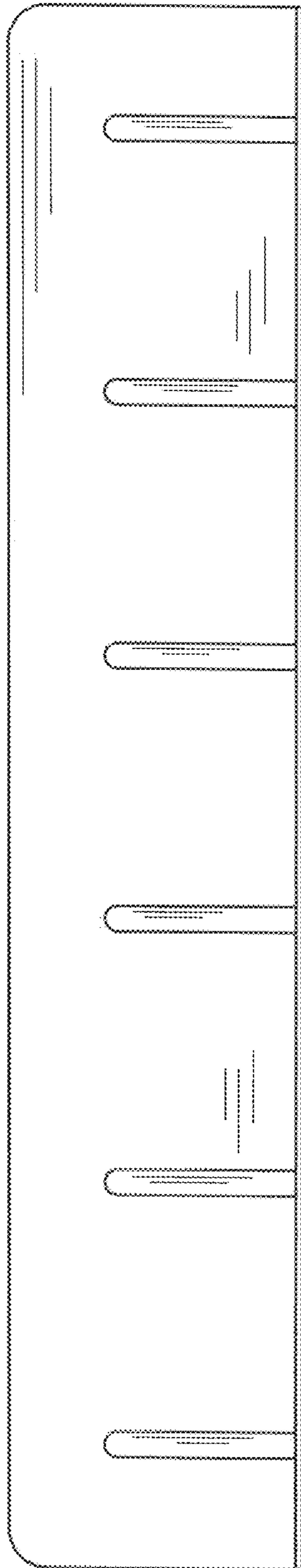


FIG.5

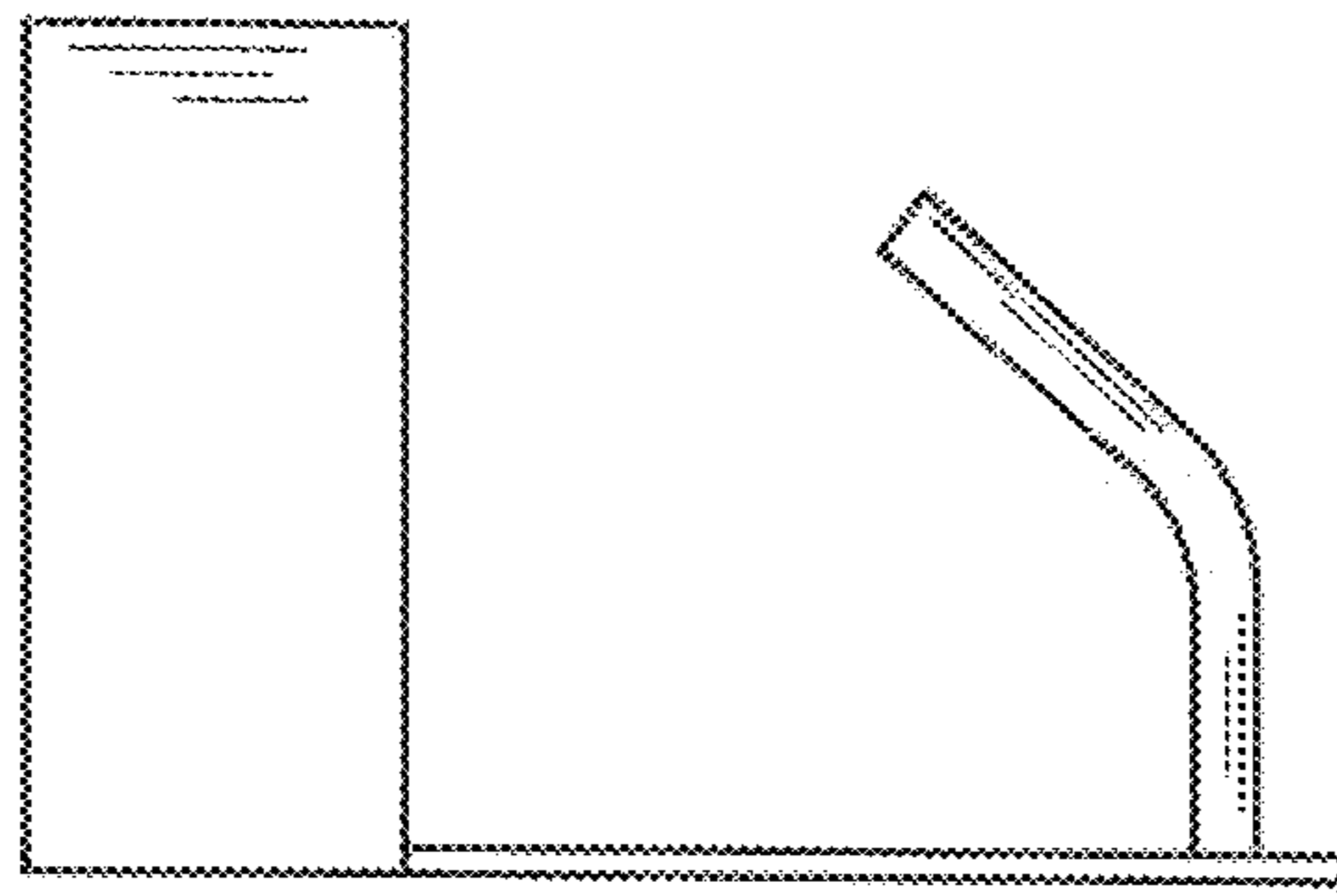


FIG.6

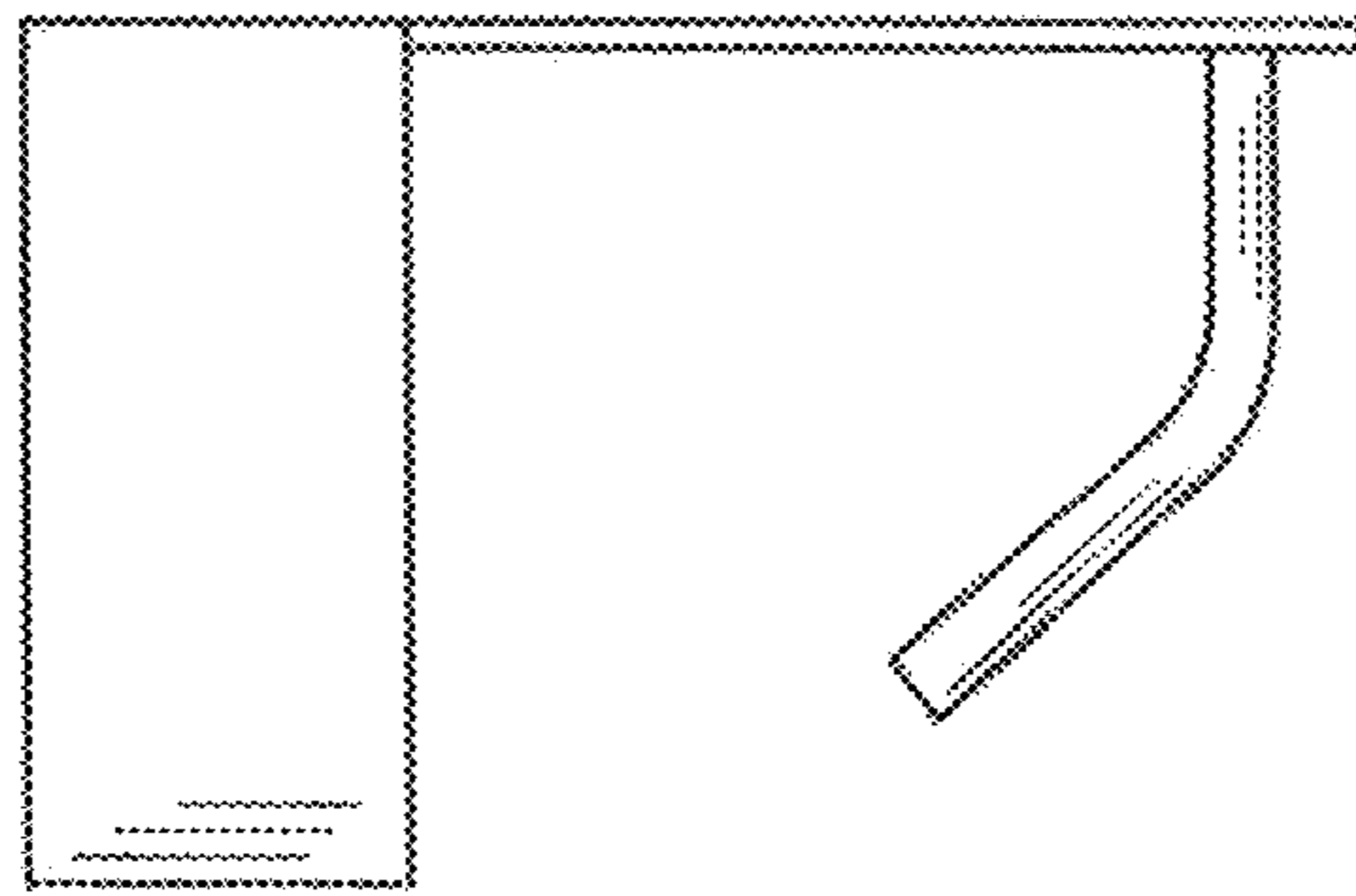


FIG.7