



US00D937003S

(12) **United States Design Patent** (10) **Patent No.:** **US D937,003 S**
Chen (45) **Date of Patent:** **** Nov. 30, 2021**

(54) **SOAP DISPENSER**
(71) Applicant: **Shenzhen Feiwoda Technology Co., Ltd.**, Guangdong (CN)
(72) Inventor: **Zhikai Chen**, Hebei (CN)
(73) Assignee: **Shenzhen Feiwoda Technology Co., Ltd.**, Guangdong (CN)
(**) Term: **15 Years**

D531,441 S * 11/2006 Soriano D6/542
D550,011 S * 9/2007 Kennard D6/542
D554,926 S * 11/2007 Genord D6/542
D560,940 S * 2/2008 Genord D23/238
D560,941 S * 2/2008 Genord D23/238
D560,942 S * 2/2008 Hanna D6/542
D563,703 S * 3/2008 Duncan D6/542
D672,177 S * 12/2012 Zeng D6/542
D773,847 S * 12/2016 Lord D6/542
D803,068 S * 11/2017 Ziemann D9/691
D815,854 S * 4/2018 Weir
D831,376 S * 10/2018 Ziemann et al.
D858,138 S * 9/2019 Weir D6/542

(Continued)

(21) Appl. No.: **29/776,200**

(22) Filed: **Mar. 29, 2021**

(51) **LOC (13) Cl.** **23-02**

(52) **U.S. Cl.**
USPC **D6/542**

(58) **Field of Classification Search**
USPC D6/542, 512, 543-545; D9/291, 448, D9/449, 682, 688, 690; 221/14, 146.3, 221/173, 181.1, 181.3, 251, 282, 628
CPC B67D 1/001; B67D 1/06; B67D 3/0029; A47K 7/04; A47G 19/24; B65D 23/003; B65D 83/40; B65D 50/04; B05B 11/3001; F16N 3/10
See application file for complete search history.

(56) **References Cited**

U.S. PATENT DOCUMENTS

D98,976 S * 3/1936 Bernhardt D23/231
D349,649 S * 8/1994 Hanna D6/542
5,427,284 A * 6/1995 Inch A47K 5/12
222/321.3
6,419,125 B1 * 7/2002 Kim B05B 11/305
222/321.2
D477,778 S * 7/2003 Dretzka D6/542
D480,642 S * 10/2003 Dretzka D6/542
D480,643 S * 10/2003 Dretzka D6/542
D488,716 S * 4/2004 Dretzka D6/542
D495,032 S * 8/2004 Dretzka D23/238
D519,372 S * 4/2006 Hsieh D6/542

OTHER PUBLICATIONS

Amazon.com Soap Dispenser for Kitchen Sink Counter Dispenser 17 OX bottle Built in Refill from The Top, Nov. 6, 2020, <https://www.amazon.com/Dispenser-Kitchen-Counter-Bottle-Brushed/dp/B08MW1GTF5/> (Year: 2020).*

Primary Examiner — Nathan M Johnston
(74) *Attorney, Agent, or Firm* — ScienBiziP, P.C.

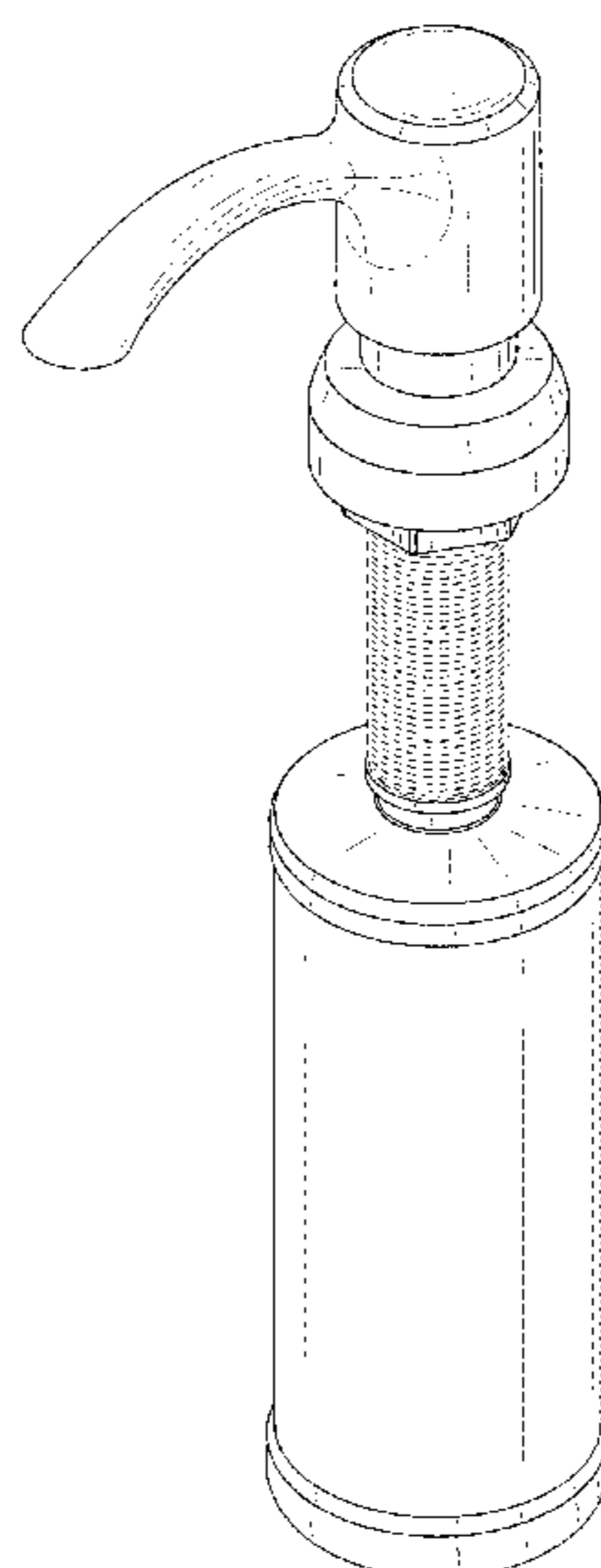
(57) **CLAIM**

The ornamental design for a soap dispenser, as shown and described.

DESCRIPTION

FIG. 1 is a front, right, and top perspective view of a soap dispenser, showing my design.
FIG. 2 is a front elevation view thereof.
FIG. 3 is a rear elevation view thereof.
FIG. 4 is a left side elevation view thereof.
FIG. 5 is a right side elevation view thereof.
FIG. 6 is a top plan view thereof; and,
FIG. 7 is a bottom plan view thereof.
The broken lines shown in the drawings are included for the purpose of illustrating portions of the soap dispenser that form no part of the claimed design.

1 Claim, 7 Drawing Sheets



(56)

References Cited

U.S. PATENT DOCUMENTS

D874,181 S * 2/2020 Wei D6/542
2007/0000941 A1* 1/2007 Hadden A47K 5/1217
222/52
2015/0209811 A1* 7/2015 Ophardt B05B 7/0491
222/190
2016/0249775 A1* 9/2016 Cohen A47K 5/1205
222/382
2019/0063977 A1* 2/2019 Chen A47K 5/1217

* cited by examiner

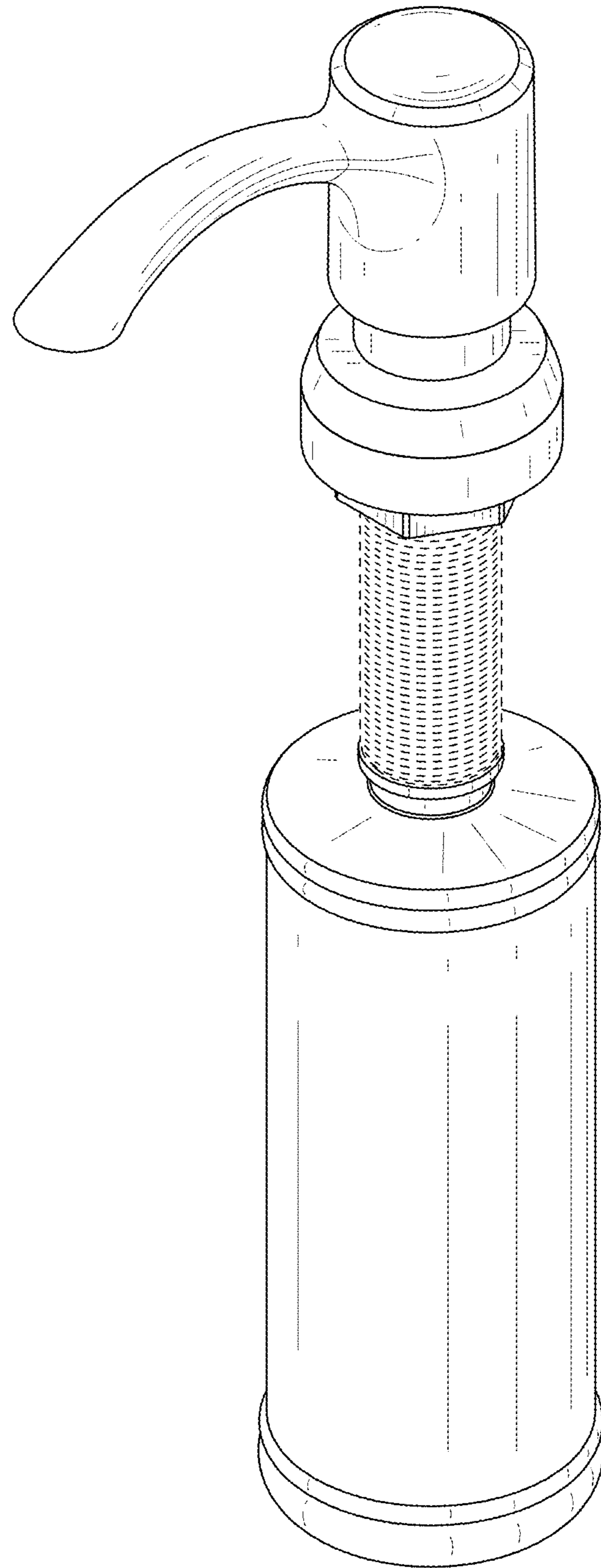


FIG. 1

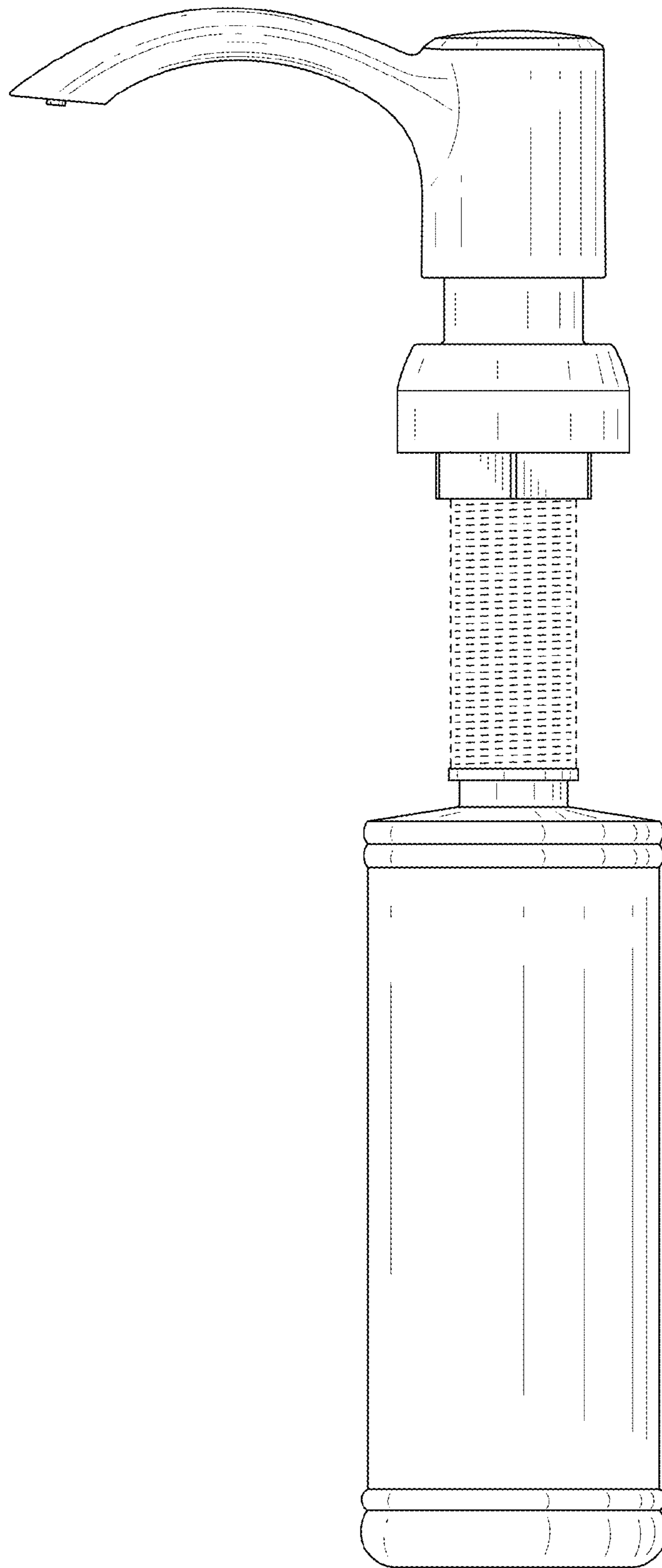


FIG. 2

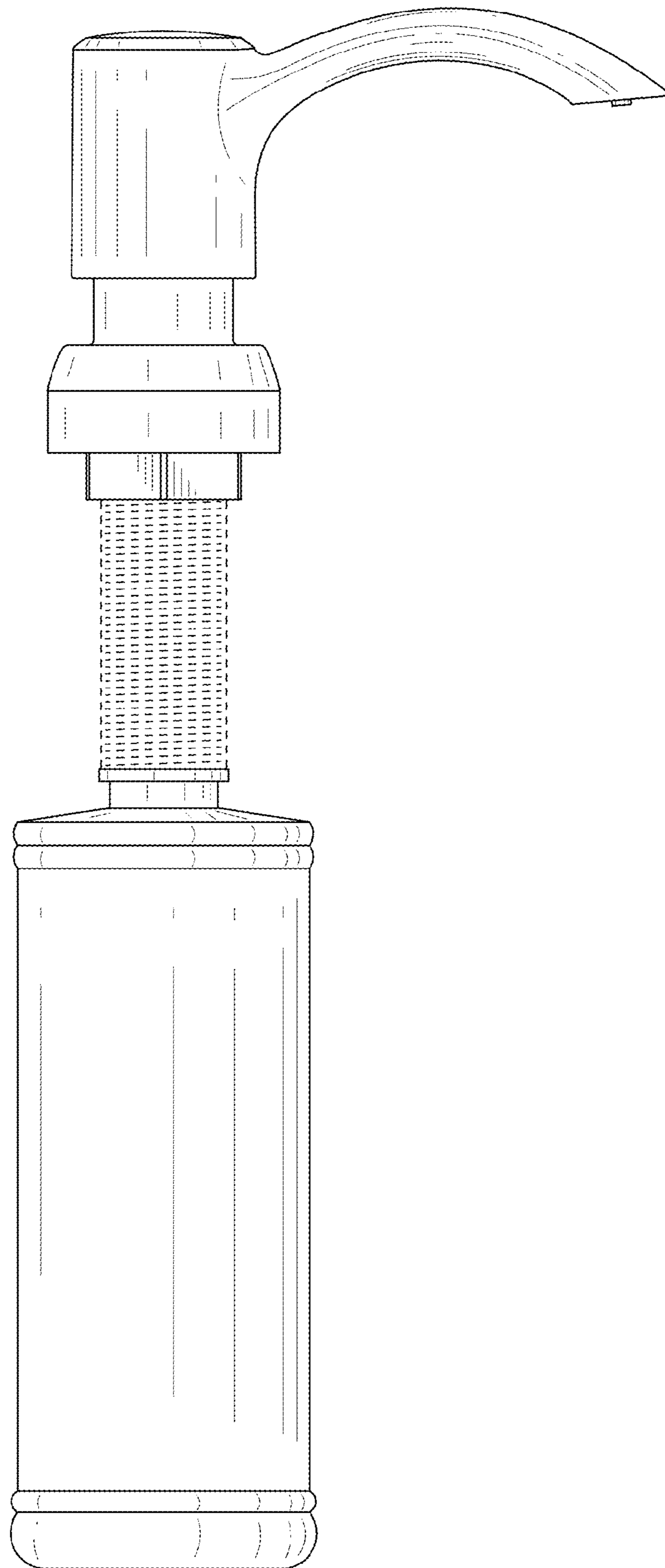


FIG. 3

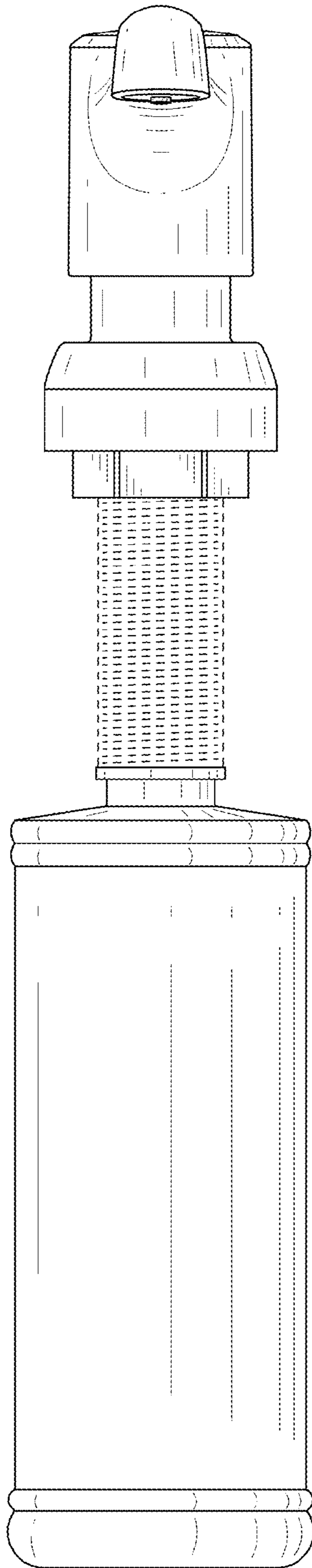


FIG. 4

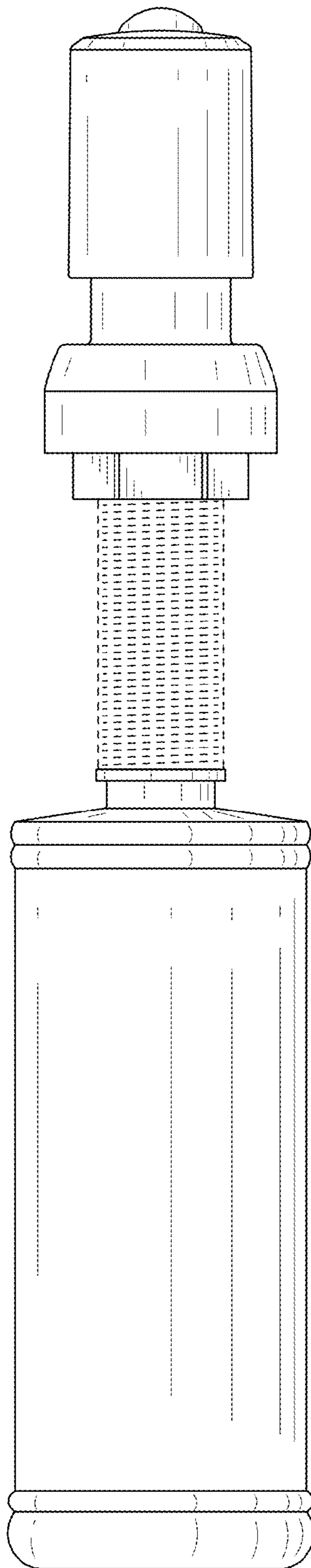


FIG. 5

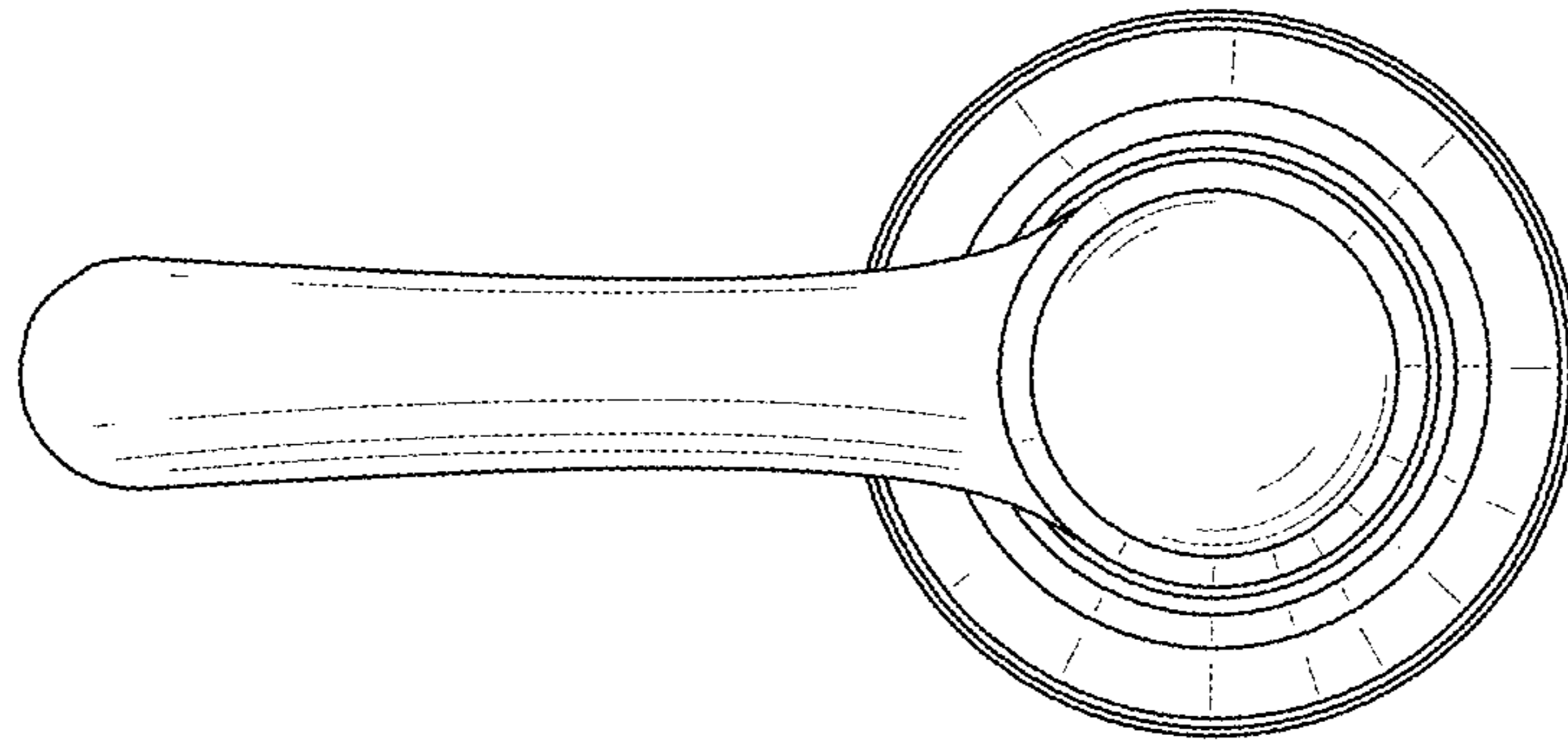


FIG. 6

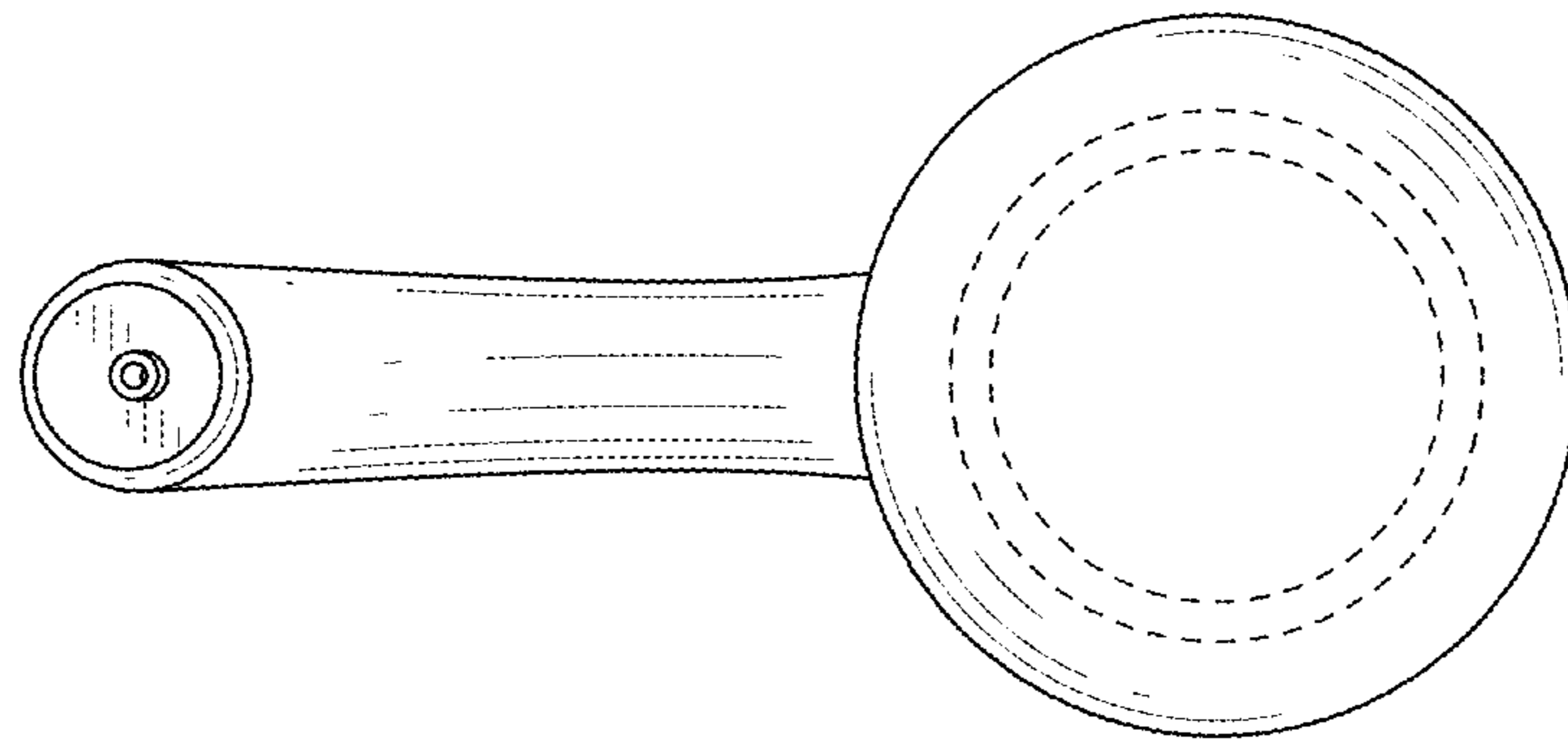


FIG. 7