



US00D937001S

(12) **United States Design Patent**
Werner

(10) **Patent No.:** **US D937,001 S**
(45) **Date of Patent:** **** Nov. 30, 2021**

- (54) **TRIMMER STAND**
- (71) Applicant: **Andis Company**, Sturtevant, WI (US)
- (72) Inventor: **Edwin A. Werner**, Union Grove, WI (US)
- (73) Assignee: **Andis Company**, Sturtevant, WI (US)
- (**) Term: **15 Years**
- (21) Appl. No.: **29/720,270**
- (22) Filed: **Jan. 10, 2020**
Related U.S. Application Data
- (62) Division of application No. 29/644,516, filed on Apr. 18, 2018, now Pat. No. Des. 878,085.
- (51) **LOC (13) Cl.** **28-03**
- (52) **U.S. Cl.**
USPC **D6/526; D13/108**
- (58) **Field of Classification Search**
USPC D6/526, 527, 512, 524, 528, 534, 540;
206/244, 361, 362.1, 362.2, 362.3, 208,
206/209, 228, 252, 345-360, 493, 775;
211/13.1, 66, 70.6, 86.01, 87.01, 89.01;
248/127, 176.1, 200, 205.5, 309.1, 314;
D3/205; D9/373, 748, 749, 448;
30/42-46, 514; D16/202, 219, 242;
D13/108; D10/70; D24/186
CPC . B26B 19/3806; B26B 19/3853; B26B 21/52;
B26B 21/10; B26B 21/4006; B26B
21/522; B26B 21/40; B26B 21/36; B26B
19/14; B26B 19/38; B26B 19/382; B26B
19/3813; B65D 73/0064; B65D 73/0014;
B65D 77/26; B65D 85/1081; B65D
5/5016; B65D 71/70; B65D 25/106;
B65D 25/22
See application file for complete search history.

- (56) **References Cited**
U.S. PATENT DOCUMENTS
D369,344 S 4/1996 Lindeman et al.
D385,252 S * 10/1997 Snyder D13/108

- D428,597 S * 7/2000 Murata D13/108
 - D471,578 S * 3/2003 Okuley D13/108
 - D474,737 S * 5/2003 Yoshida D13/108
 - D488,439 S * 4/2004 Orthey D13/107
 - D488,440 S 4/2004 Senda
- (Continued)

OTHER PUBLICATIONS

youtube.com, Andis Cordless T-Outliner Li—Freedom to Roam. Power to Last (Part 1), Jan. 30, 2018, [https://www.youtube.com/watch?v=TQri-imCcKw], 1 page.

Primary Examiner — Nathan M Johnston
(74) *Attorney, Agent, or Firm* — Reinhart Boerner Van Deuren s.c.

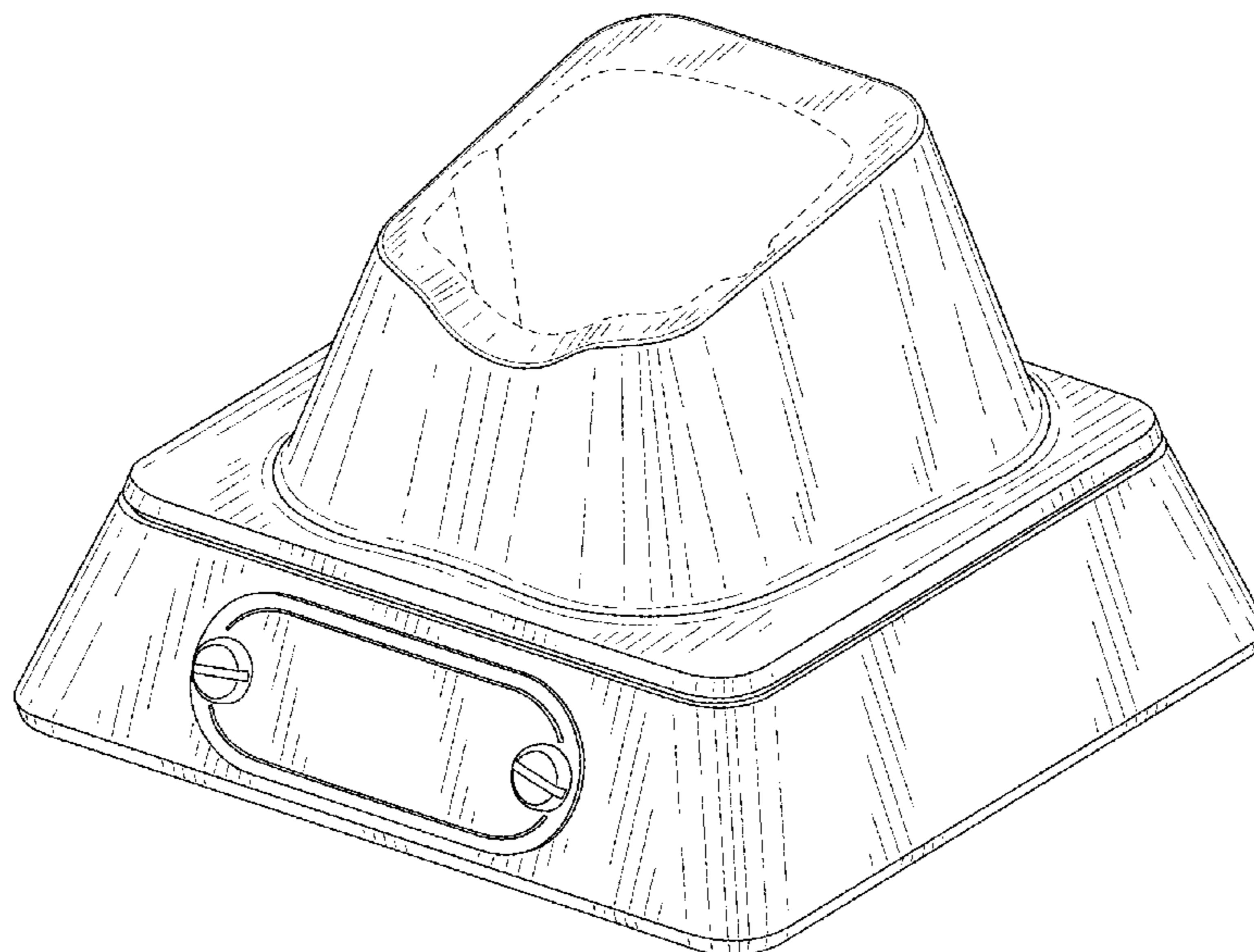
(57) **CLAIM**

I claim the ornamental design for a trimmer stand, as shown and described.

DESCRIPTION

FIG. 1 is a perspective view of a trimmer stand showing the new design;
 FIG. 2 is an elevation view of a first side of the trimmer stand of FIG. 1;
 FIG. 3 is an elevation view of a second side of the trimmer stand of FIG. 1;
 FIG. 4 is an elevation view of a first end of the trimmer stand of FIG. 1;
 FIG. 5 is an elevation view of a second end of the trimmer stand of FIG. 1;
 FIG. 6 is a top view of the trimmer stand shown in FIG. 1; and,
 FIG. 7 is a bottom view of the trimmer stand shown in FIG. 1.
 The broken lines shown in the drawings illustrate portions of the trimmer stand and form no part of the claimed design.

1 Claim, 5 Drawing Sheets



(56)

References Cited

U.S. PATENT DOCUMENTS

D495,182	S	8/2004	Vitantonio et al.	
D501,205	S *	1/2005	Quinn	D14/253
D516,023	S *	2/2006	Quinn	D13/108
D535,615	S	1/2007	Iwai	
D562,762	S	2/2008	Saddlemire et al.	
D580,855	S	11/2008	Haspil et al.	
D585,369	S *	1/2009	Castellucci	D13/108
D600,680	S *	9/2009	Mead	D13/108
D605,588	S *	12/2009	Nomi	D13/108
D615,491	S *	5/2010	Emminger	D13/108
D620,882	S	8/2010	Houghton	
D621,345	S *	8/2010	Tinius	D13/107
D621,347	S	8/2010	Aulwes et al.	
D637,155	S *	5/2011	Jeon	D13/108
D645,403	S *	9/2011	Seo	D13/108
D651,434	S *	1/2012	Conway	D6/515
D668,218	S *	10/2012	Dai	D13/107
D673,498	S	1/2013	Colle	
D687,245	S	8/2013	Salagnac	
D698,185	S	1/2014	Cosper et al.	
D706,549	S	6/2014	Cho	
D731,707	S *	6/2015	Grabes	D28/44
D759,588	S *	6/2016	Klein	D13/108
D781,784	S *	3/2017	Dingle	D13/108
D797,669	S *	9/2017	Chang	D13/108
D810,014	S *	2/2018	Haranaka	D13/108
D839,628	S	2/2019	Gilor	
D876,442	S *	2/2020	McCracken	H04R 5/04 D14/434
D890,088	S *	7/2020	Machida	D13/107
D896,175	S *	9/2020	Staff	D13/108
D896,228	S *	9/2020	Sjogren	D14/434
D908,963	S *	1/2021	Lambrecht	D28/52

* cited by examiner

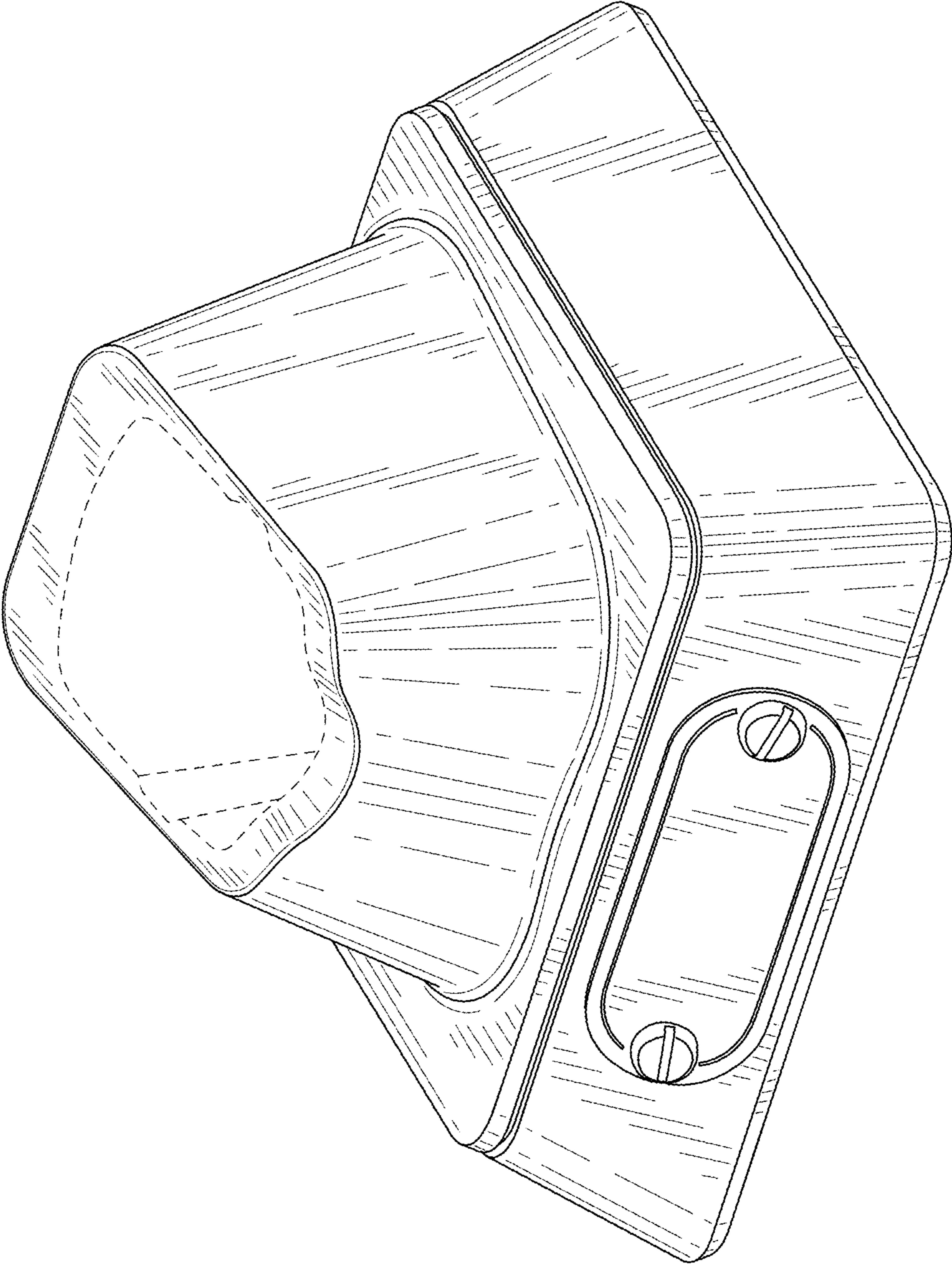


FIG. 1

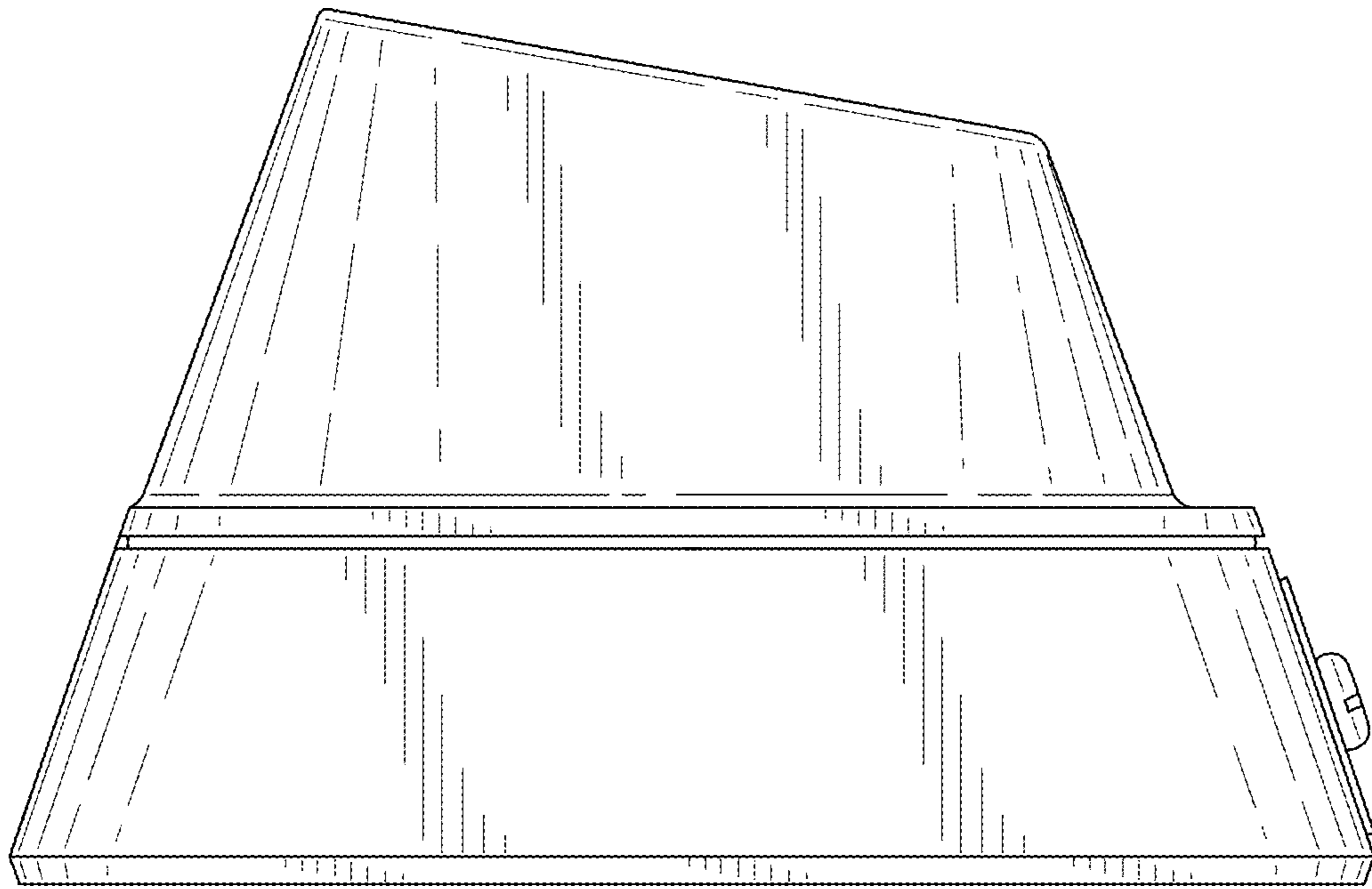


FIG. 2

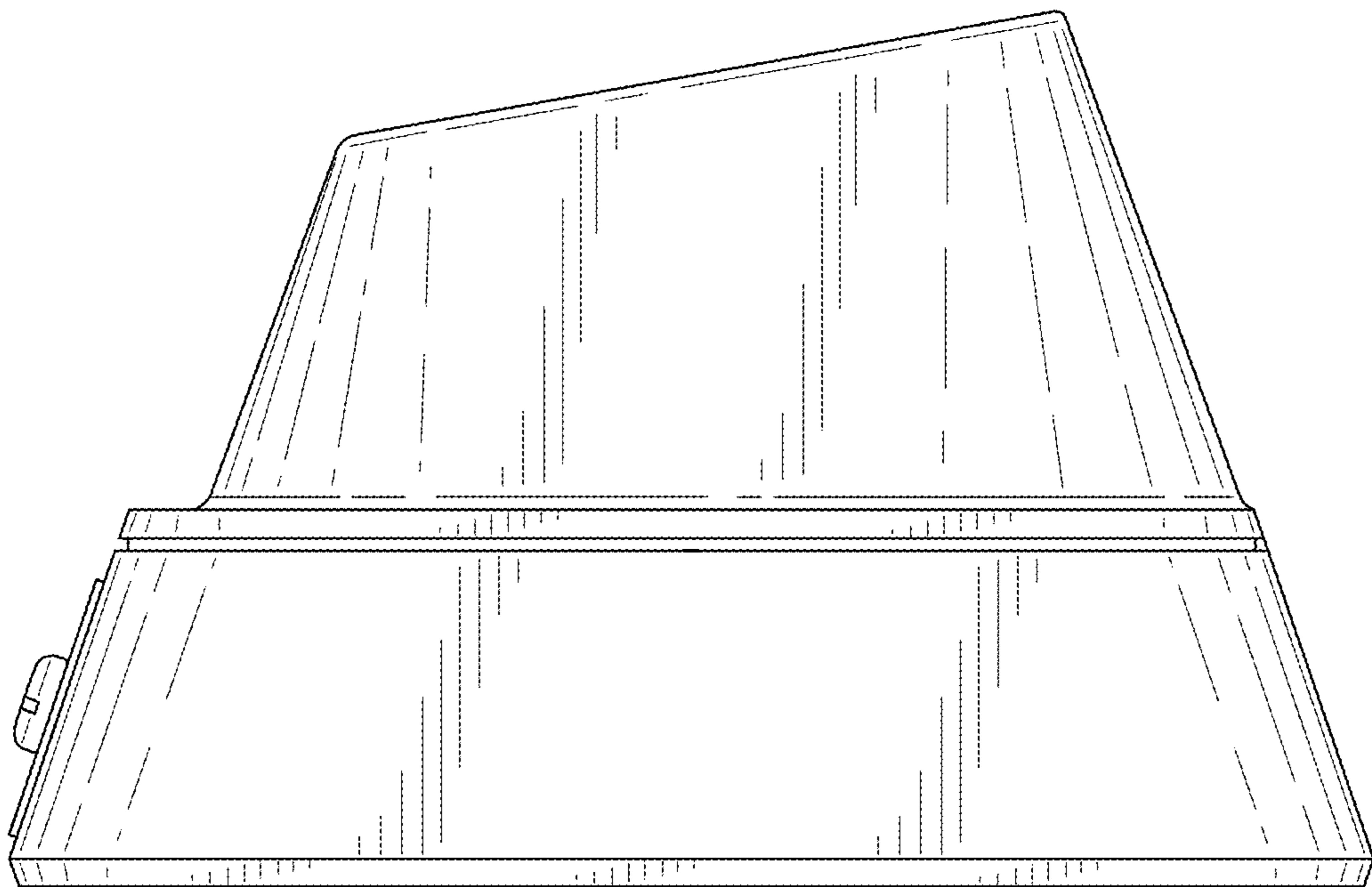


FIG. 3

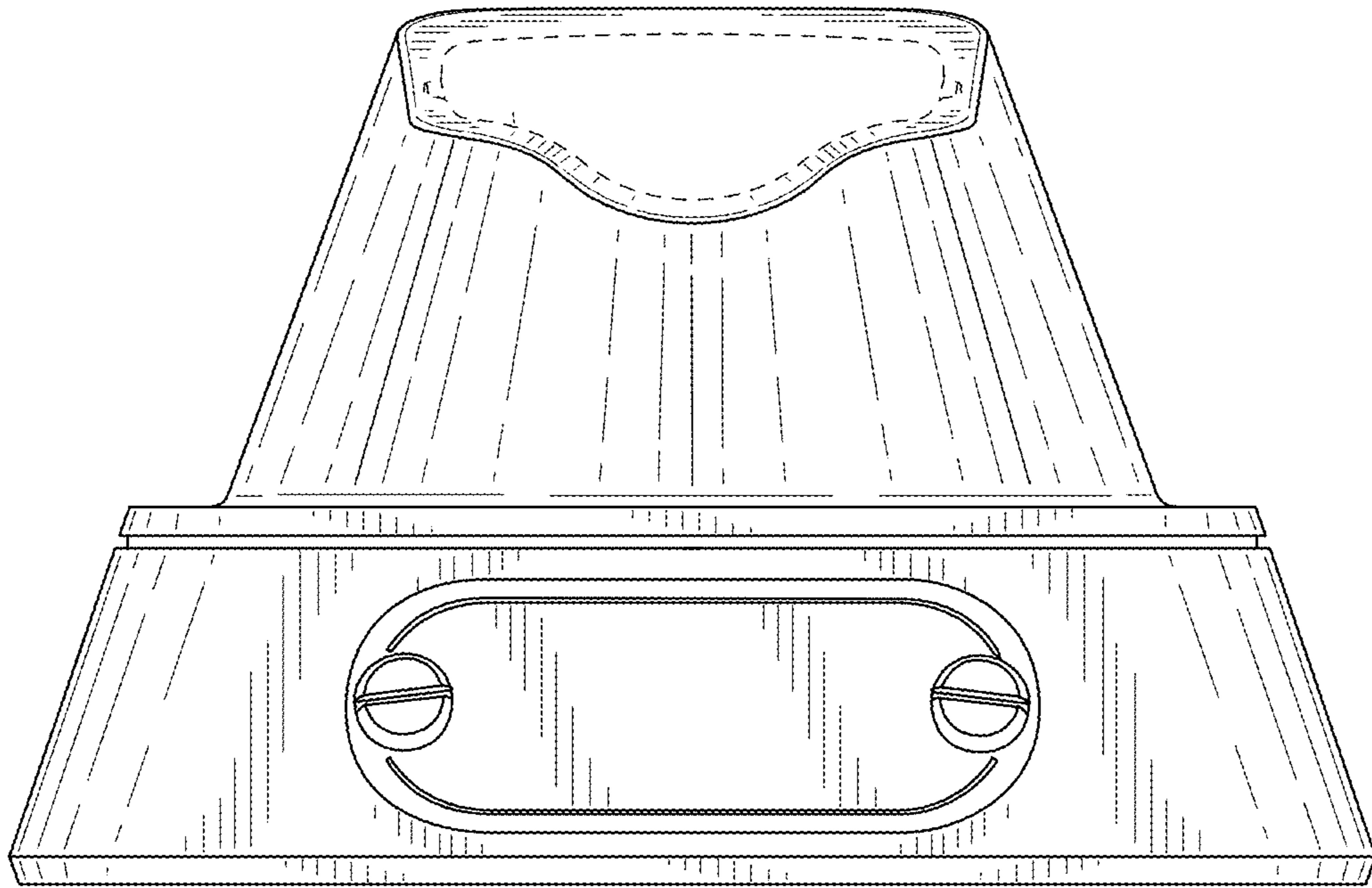


FIG. 4

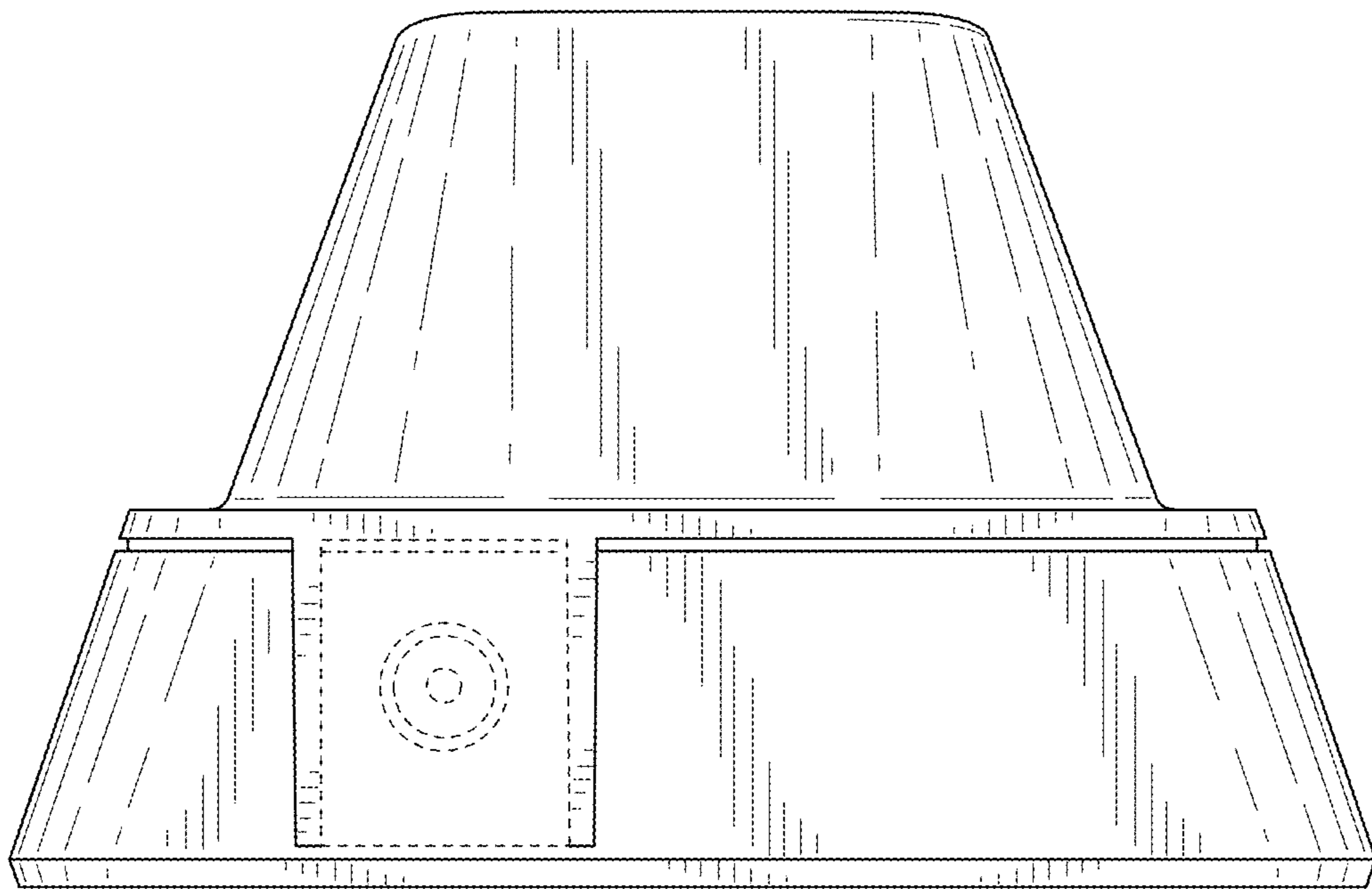


FIG. 5

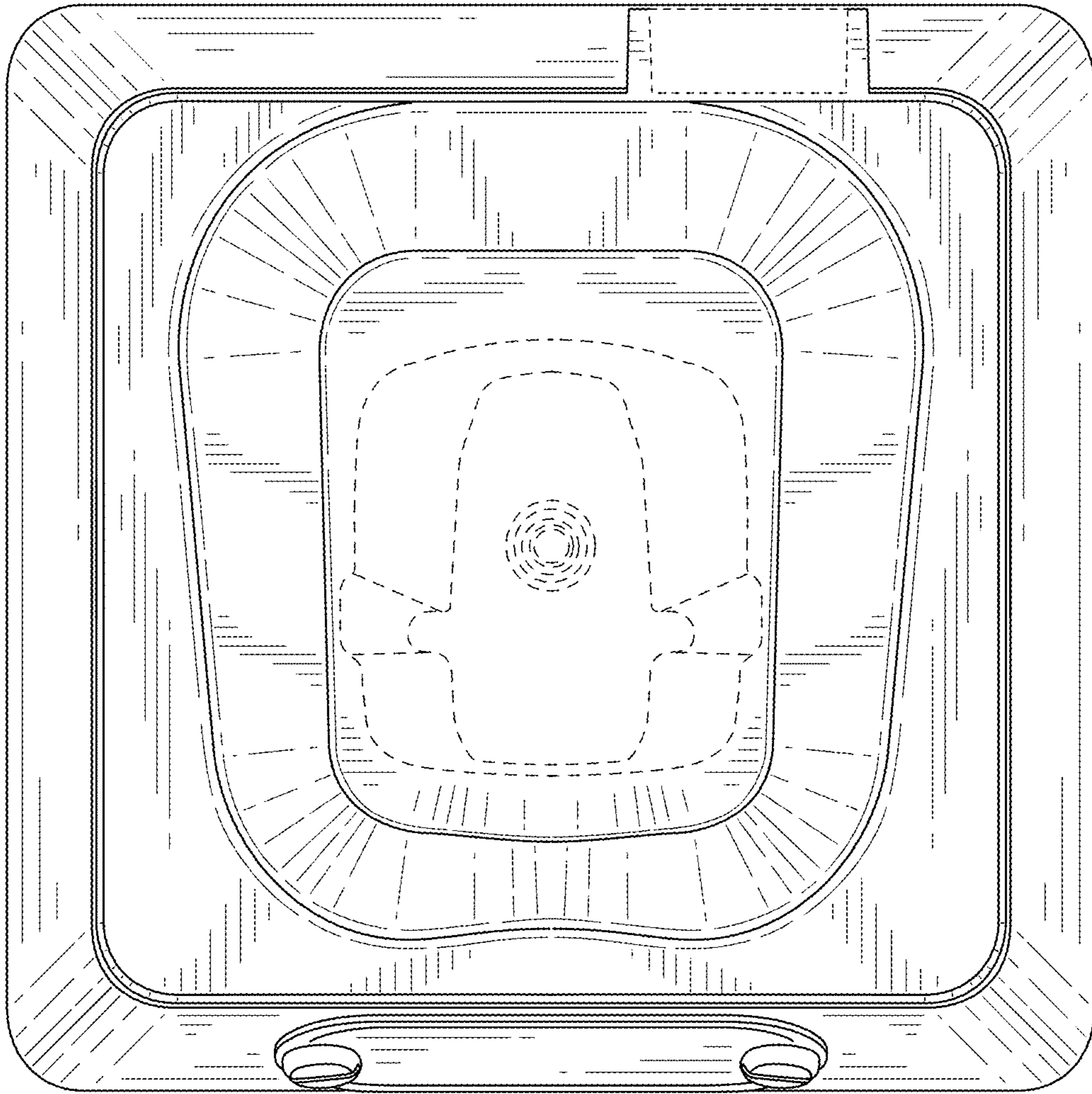


FIG. 6

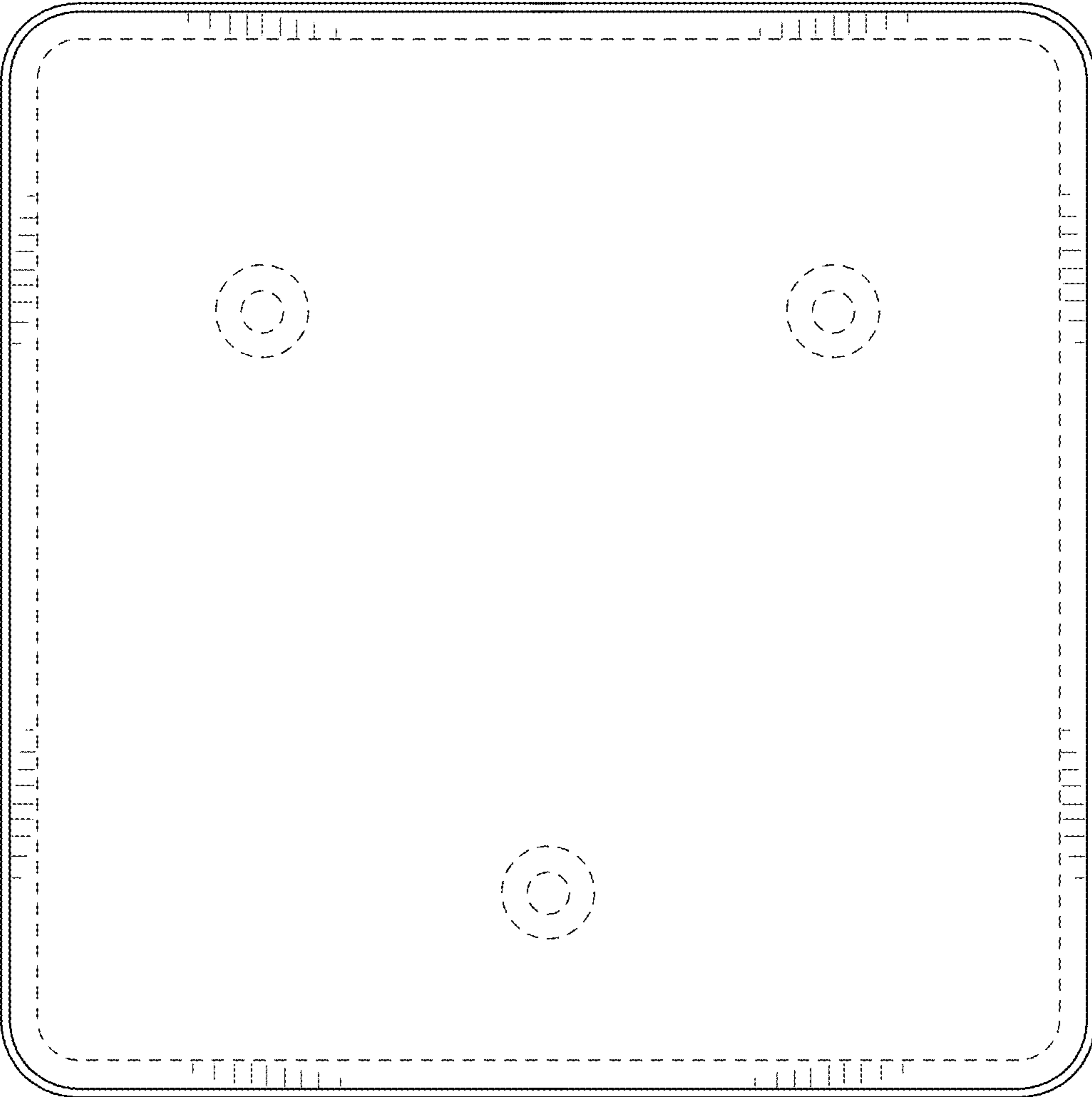


FIG. 7