



US00D936999S

(12) **United States Design Patent** (10) **Patent No.:** **US D936,999 S**
Lai (45) **Date of Patent:** **** Nov. 30, 2021**

(54) **TOILET PAPER ROLL HOLDER**

(71) Applicant: **MyGift Enterprise, LLC**, Woodinville, WA (US)

(72) Inventor: **Carol Lai**, Woodinville, WA (US)

(**) Term: **15 Years**

(21) Appl. No.: **29/707,822**

(22) Filed: **Oct. 1, 2019**

(51) **LOC (13) Cl.** **23-08**

(52) **U.S. Cl.**

USPC **D6/523**

(58) **Field of Classification Search**

USPC D6/523, 518-519, 522, 527, 552, 566;
16/110.1, 412, 415; 108/28-29;
206/389, 391, 557; 211/13.1, 16, 60.1,
211/71.01, 86.01, 87.01, 88.01, 88.04,
211/100, 105.1, 105.2, 123, 126.1, 133.6,
211/134, 181.1, 182; 242/570, 590,
242/595-598, 560.2, 594

CPC . A47K 10/38; A47K 2010/3253; A47J 47/16;
A47G 19/02; A47G 23/06; A47F 5/0018;
A47F 5/0043; A47F 5/04

See application file for complete search history.

(56) **References Cited**

U.S. PATENT DOCUMENTS

D691,389 S * 10/2013 Snider D6/519
D775,850 S * 1/2017 Tsai D6/523

D895,318 S * 9/2020 Dratch D6/523
2009/0045083 A1* 2/2009 Vaults, Jr. A47K 17/00
206/225
2012/0234963 A1* 9/2012 Channel A47K 10/38
242/560.2
2016/0095478 A1* 4/2016 Toma A47K 10/42
242/594

* cited by examiner

Primary Examiner — Wan Laymon

Assistant Examiner — Mark Booker

(74) *Attorney, Agent, or Firm* — Dean A Craine; Marisa C Whitaker

(57) **CLAIM**

The ornamental design for a toilet paper roll holder, as shown and described.

DESCRIPTION

FIG. 1 is a top front perspective view of toilet paper roll holder showing my new design.

FIG. 2 is a front elevational view thereof, the rear elevation view being a mirror image thereof.

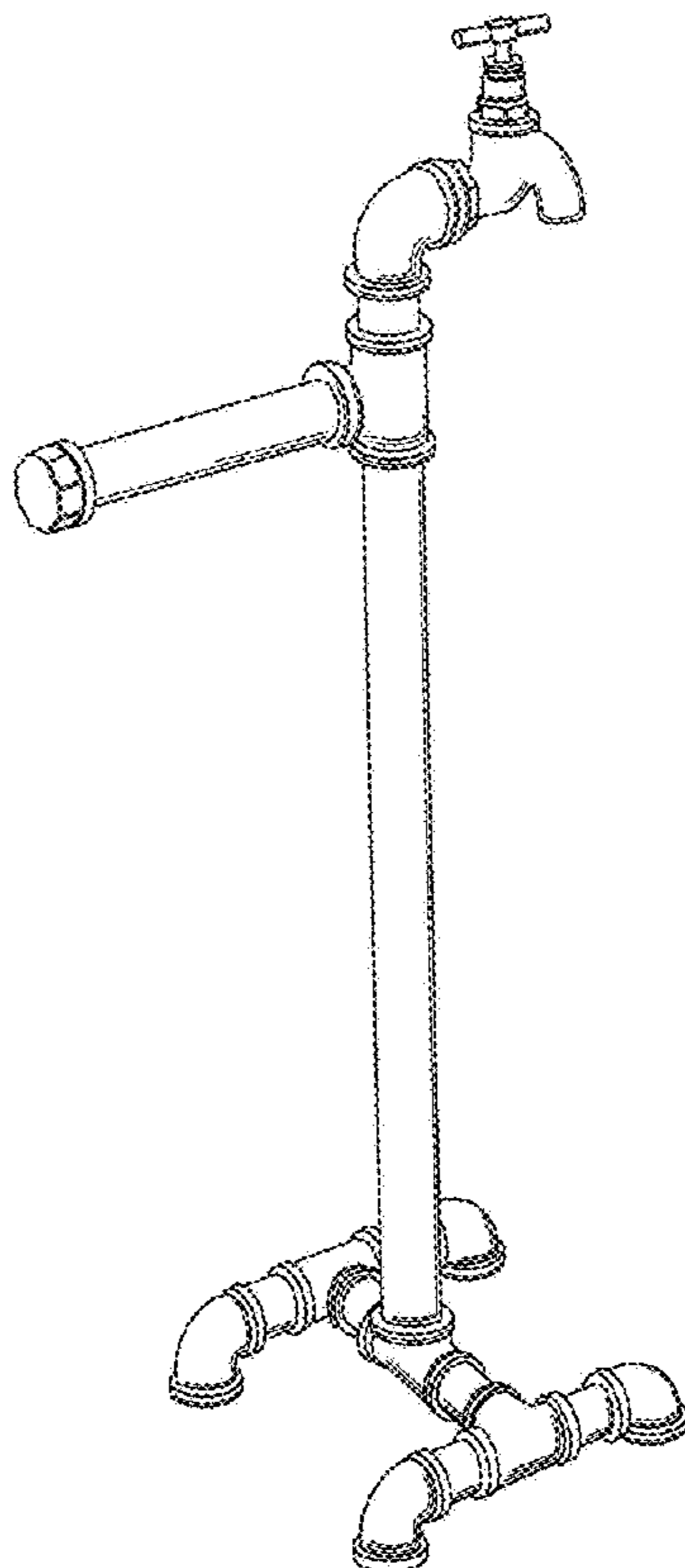
FIG. 3 is a top plan view thereof.

FIG. 4 is a bottom plan view thereof.

FIG. 5 is a left-side elevational view thereof; and,

FIG. 6 is a right-side elevational view thereof.

1 Claim, 6 Drawing Sheets



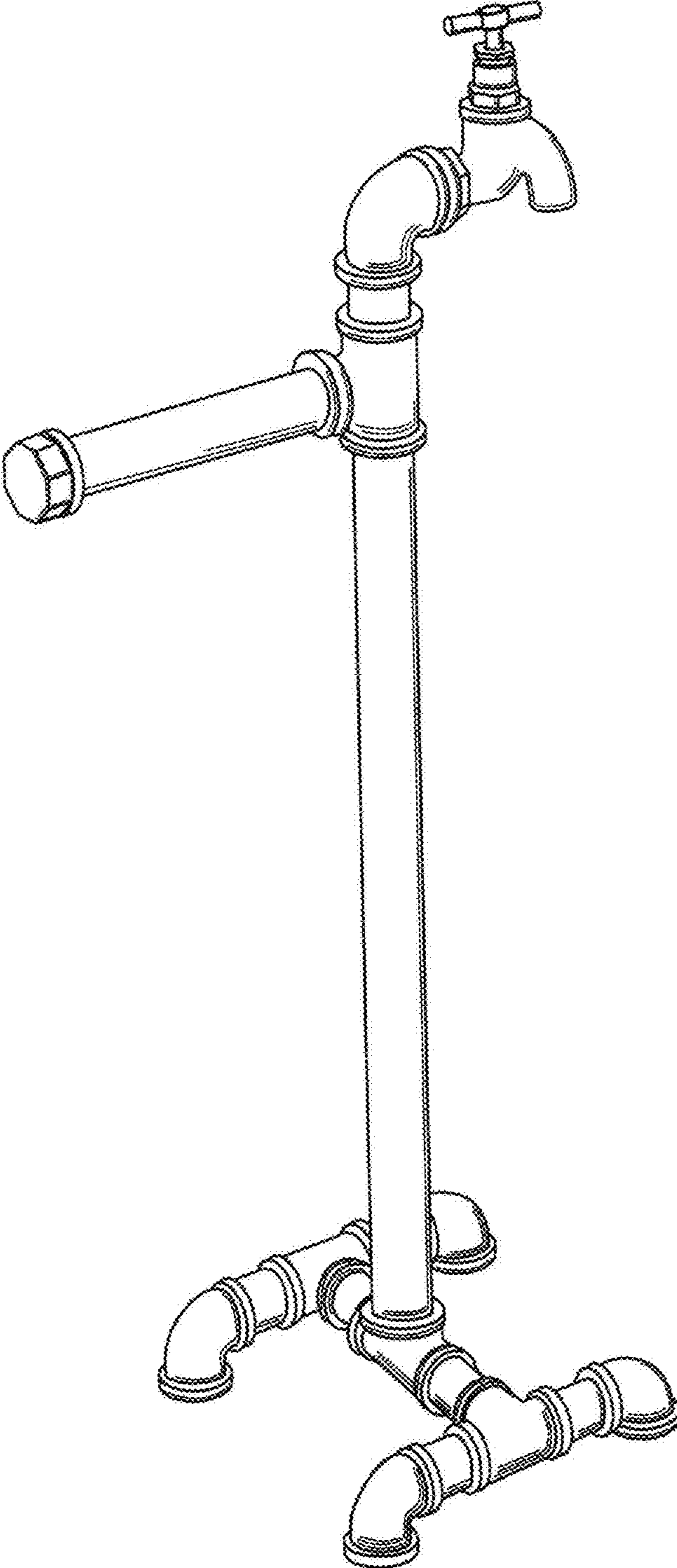


FIG. 1

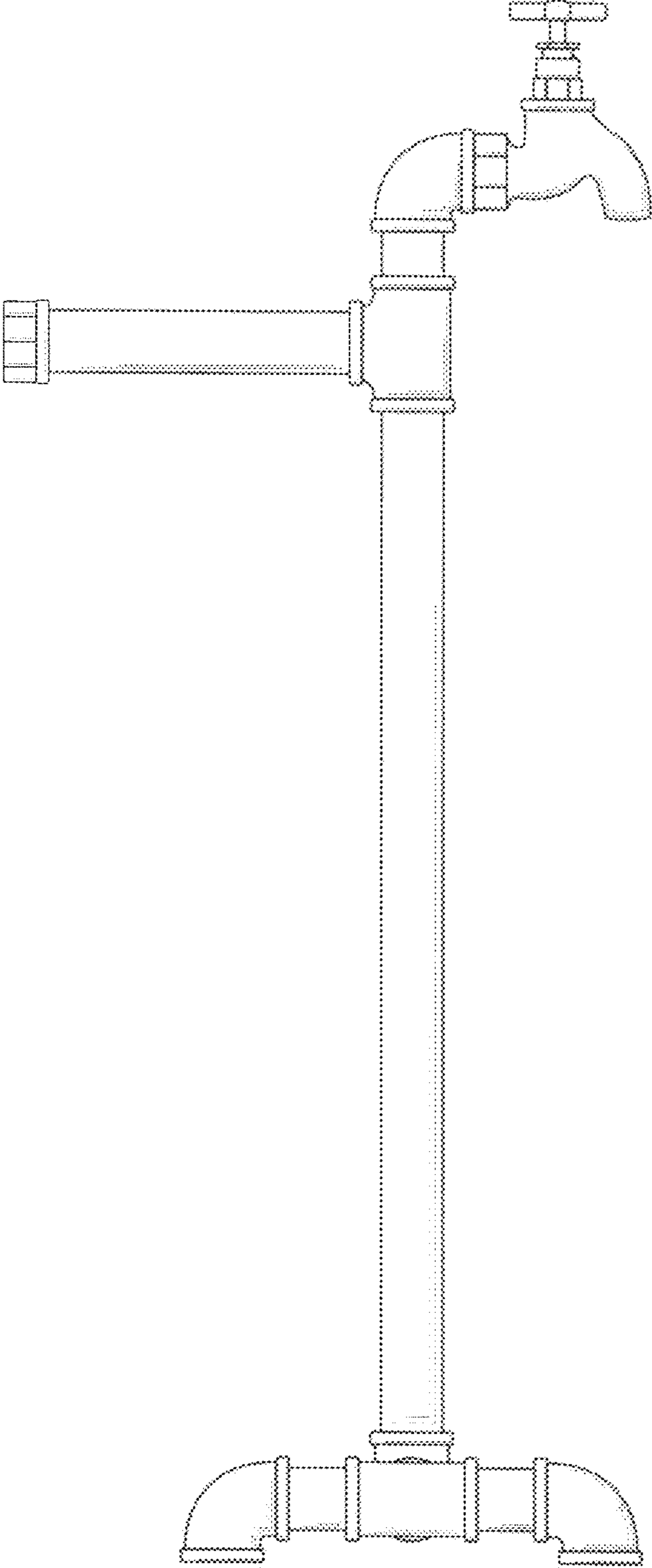


FIG. 2

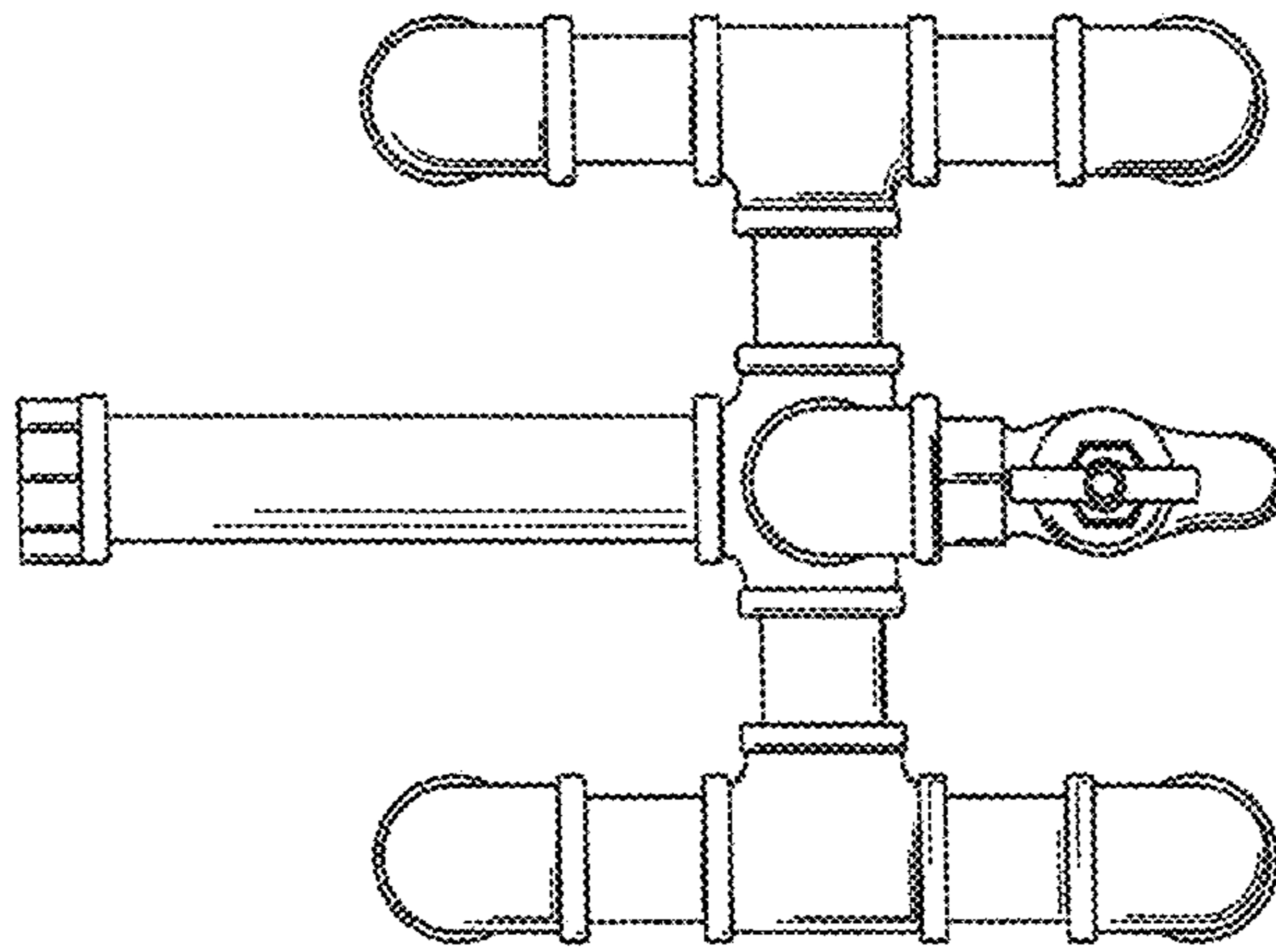


FIG. 3

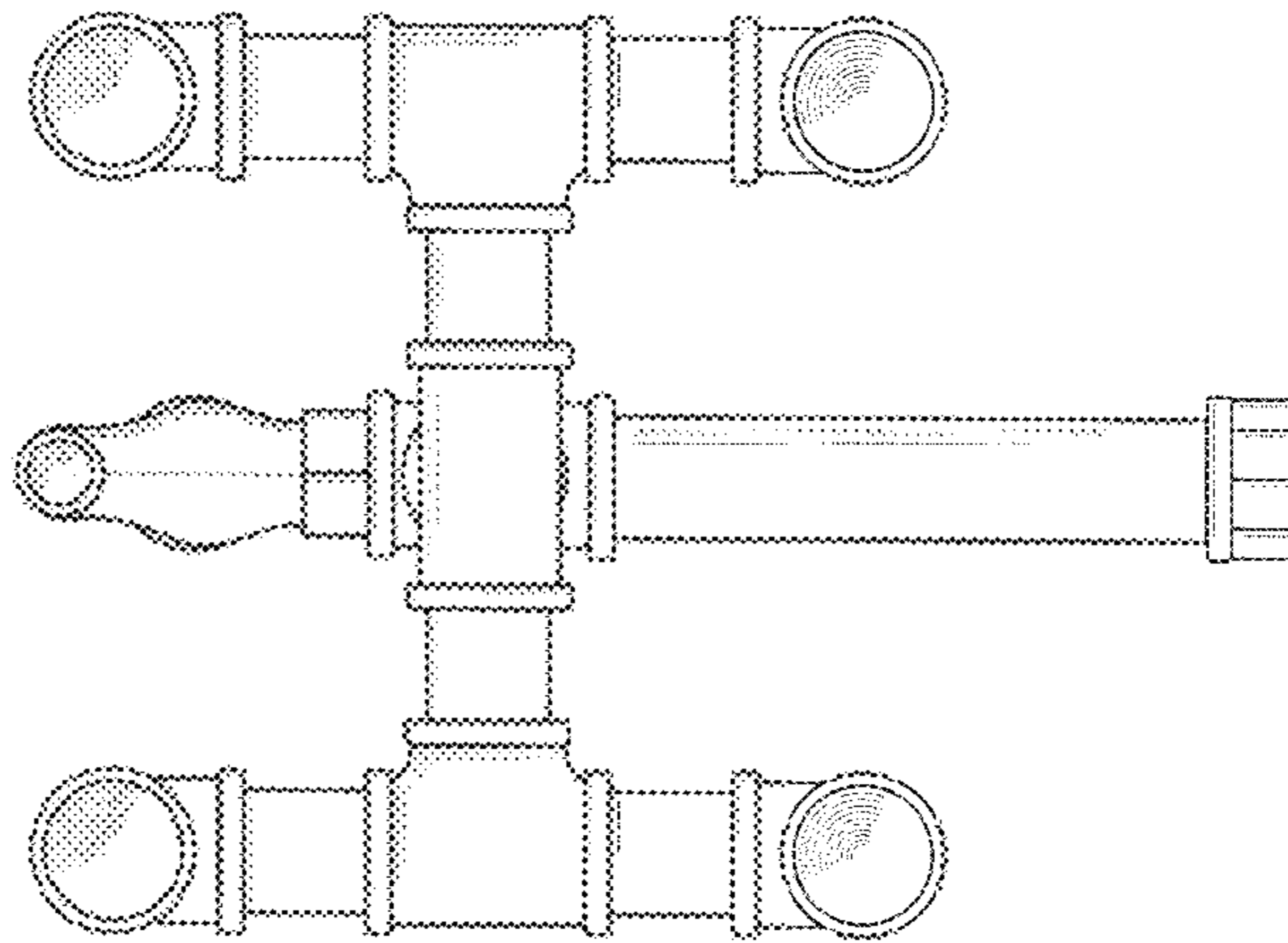


FIG. 4

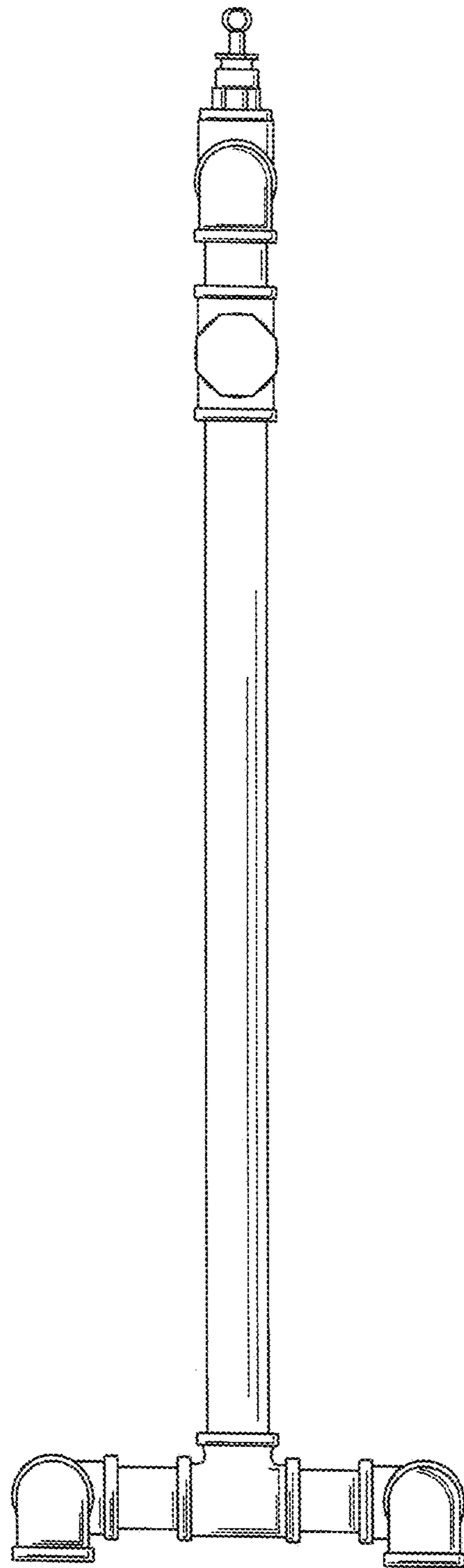


FIG. 5

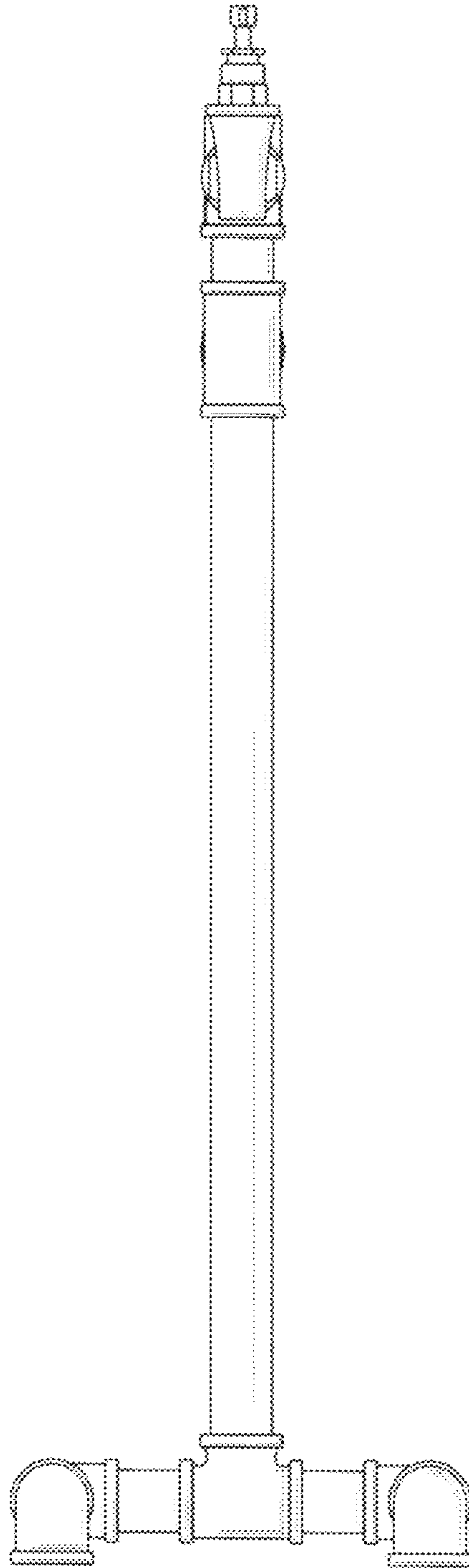


FIG. 6