



US00D936985S

(12) **United States Design Patent**
Deevers et al.

(10) **Patent No.:** **US D936,985 S**

(45) **Date of Patent:** **** Nov. 30, 2021**

(54) **CHAIR**

(71) Applicant: **Steelcase Inc.**, Grand Rapids, MI (US)

(72) Inventors: **Nickolaus William Charles Deevers**,
Holland, MI (US); **Kurt R. Heidmann**,
Grand Rapids, MI (US); **Gordon J.**
Peterson, Rockford, MI (US); **Mark**
Spoelhof, Grand Rapids, MI (US);
James Ludwig, Grand Rapids, MI
(US); **Alyssa Anne Robert**, Kentwood,
MI (US)

(73) Assignee: **Steelcase Inc.**, Grand Rapids, MI (US)

(**) Term: **15 Years**

(21) Appl. No.: **29/724,827**

(22) Filed: **Feb. 19, 2020**

(51) **LOC (13) Cl.** **06-01**

(52) **U.S. Cl.**
USPC **D6/366**

(58) **Field of Classification Search**
USPC D6/334, 361, 364, 365, 366, 367, 379,
D6/380, 716.1, 716.2, 716.4, 634, 370,
D6/371, 374
CPC A47C 3/00; A47C 3/18; A47C 3/20; A47C
3/026; A47C 1/00; A47C 1/02; A47C
1/022; A47C 1/03; A47C 1/14; A47C
1/143; A47C 7/24; A47C 7/36; A47C
7/46; A47C 7/18; A47C 7/40; A47C 7/54
See application file for complete search history.

(56) **References Cited**

U.S. PATENT DOCUMENTS

3,041,109 A	6/1962	Eames et al.
3,606,464 A	9/1971	Arbuthnot
4,545,614 A	10/1985	Abu-Isa et al.
4,555,136 A	11/1985	Dranger
4,555,139 A	11/1985	Leib

4,826,249 A	5/1989	Bradbury
4,869,554 A	9/1989	Abu-Isa et al.
5,354,120 A	10/1994	Völkle
5,457,968 A	10/1995	McClintock et al.
5,795,026 A	8/1998	Dral
5,855,991 A	1/1999	McLarty, III
6,050,646 A	4/2000	Stenzel et al.
6,341,822 B2	1/2002	Apissomian

(Continued)

FOREIGN PATENT DOCUMENTS

JP	2012085897 A	5/2012
JP	2013-132403 A	7/2013
JP	2020062346 A	* 4/2020

OTHER PUBLICATIONS

Sedus brochure, "se:emotion, Office swivel chair for agile working",
obtained from the Internet at: www.sedus.com, not dated, 20 pgs.

Primary Examiner — R. Johnson

(74) *Attorney, Agent, or Firm* — Crowell & Moring LLP

(57) **CLAIM**

The ornamental design for a chair, as shown and described.

DESCRIPTION

FIG. 1 is a front perspective view of a chair;
FIG. 2 is a rear perspective view of the chair shown in FIG. 1;
FIG. 3 is a right side view of the chair shown in FIG. 1;
FIG. 4 is a left side view of the chair shown in FIG. 1;
FIG. 5 is front view of the chair shown in FIG. 1;
FIG. 6 is a rear view of the chair shown in FIG. 1;
FIG. 7 is a top view of the chair shown in FIG. 1; and,
FIG. 8 is a bottom view of the chair shown in FIG. 1.
The ornamental design which is claimed is shown in solid lines in the drawings. The broken lines showing the bracket in FIGS. 1-7 are for environmental purposes only and do not form any part of the claimed design.

1 Claim, 8 Drawing Sheets



(56)

References Cited

U.S. PATENT DOCUMENTS

6,632,756 B1	10/2003	Waldrop et al.	
D487,359 S	3/2004	Giugiaro	
6,729,691 B2	5/2004	Koepke et al.	
6,749,261 B2	6/2004	Knoblock et al.	
D496,813 S	10/2004	Nakajima	
6,814,412 B2	11/2004	Cramb, III et al.	
6,951,370 B1 *	10/2005	Hsu	A47C 3/20 297/260.2
6,983,997 B2	1/2006	Wilkerson et al.	
D517,820 S	3/2006	Citterio	
7,055,911 B2	6/2006	Simpson et al.	
D527,920 S	9/2006	Giugiaro	
D528,811 S	9/2006	Giugiaro	
7,159,943 B2	1/2007	Costaglia	
D549,975 S	9/2007	Fancelli	
D555,377 S *	11/2007	Pensi	D6/366
D557,917 S	12/2007	Nakamura	
D576,809 S	9/2008	Christianson et al.	
7,425,039 B2	9/2008	Lin	
7,441,839 B2	10/2008	Pennington et al.	
7,568,765 B2	8/2009	Bräuning	
7,712,833 B2	5/2010	Ueda	
7,837,272 B2	11/2010	Masunaga et al.	
D641,983 S	7/2011	Hazzard	
D646,088 S	10/2011	Ballendat	
8,087,727 B2	1/2012	Parker et al.	
8,113,582 B2	2/2012	Liu	
D658,904 S	5/2012	Chen	
D663,129 S	7/2012	Greutmann	
8,251,448 B2	8/2012	Machael	
D675,456 S	2/2013	Sexton	
D683,150 S	5/2013	Smith et al.	
D683,151 S	5/2013	Smith et al.	
D688,497 S	8/2013	Smith et al.	
D688,498 S	8/2013	Smith et al.	
D688,499 S	8/2013	Smith et al.	
D688,500 S	8/2013	Smith et al.	
D688,501 S	8/2013	Smith et al.	
D688,503 S	8/2013	Smith et al.	
D688,504 S	8/2013	Smith et al.	
D688,505 S	8/2013	Smith et al.	
D689,312 S	9/2013	Smith et al.	
D689,313 S	9/2013	Smith et al.	
D689,314 S	9/2013	Smith et al.	
D689,317 S	9/2013	Smith et al.	
D689,318 S	9/2013	Smith et al.	
D690,146 S	9/2013	Smith et al.	
D690,547 S	10/2013	Smith et al.	
D694,536 S	12/2013	Smith et al.	
D694,537 S	12/2013	Smith et al.	
D694,538 S	12/2013	Smith et al.	
D694,539 S	12/2013	Smith et al.	
D694,540 S	12/2013	Smith et al.	
D695,034 S	12/2013	Smith et al.	
D697,726 S	1/2014	Smith et al.	
D697,728 S	1/2014	Smith et al.	
D697,729 S	1/2014	Smith et al.	
D697,730 S	1/2014	Smith et al.	
D698,164 S	1/2014	Smith et al.	
D698,165 S	1/2014	Smith et al.	
D698,166 S	1/2014	Smith et al.	
D699,957 S	2/2014	Smith et al.	
D699,958 S	2/2014	Smith et al.	
D699,959 S	2/2014	Smith et al.	
D699,994 S	2/2014	Smith et al.	
D701,053 S	3/2014	Smith et al.	
8,690,249 B2	4/2014	Kang et al.	
D707,976 S	7/2014	Smith	
D708,882 S	7/2014	Hsuan-Chin	
8,794,701 B2	8/2014	Nakayama et al.	
8,998,339 B2	4/2015	Peterson et al.	
D733,445 S	7/2015	Izawa et al.	
D742,676 S	11/2015	Smith et al.	
D742,677 S	11/2015	Smith et al.	
D742,678 S	11/2015	Smith et al.	
D750,406 S	3/2016	Smith et al.	
9,560,917 B2	2/2017	Roslund, Jr.	
D781,604 S	3/2017	Smith et al.	
D781,605 S	3/2017	Smith et al.	
9,622,579 B2	4/2017	Wilkinson et al.	
9,648,957 B2	5/2017	Su	
D792,717 S *	7/2017	Webb	D6/366
D802,951 S	11/2017	Ludwig et al.	
D802,952 S	11/2017	Ludwig et al.	
D804,209 S	12/2017	Ludwig et al.	
D804,839 S	12/2017	Ludwig et al.	
D804,840 S	12/2017	Ludwig et al.	
D804,841 S	12/2017	Ludwig et al.	
D804,875 S	12/2017	Ludwig et al.	
D804,876 S	12/2017	Ludwig et al.	
D808,187 S	1/2018	Ludwig et al.	
D821,793 S	7/2018	Ludwig et al.	
D825,971 S	8/2018	Scagnellato	
D834,844 S	12/2018	Chan et al.	
10,173,567 B2	1/2019	Madrigal et al.	
D852,525 S	7/2019	Peterson	
D852,526 S *	7/2019	Peterson	D6/366
D863,802 S *	10/2019	Wang	D6/366
D869,872 S *	12/2019	Deevers	D6/366
D870,479 S	12/2019	Deevers et al.	
D873,043 S	1/2020	Su	
D873,576 S	1/2020	Engelhardt	
D874,202 S	2/2020	Schmitz et al.	
D878,789 S *	3/2020	Wang	D6/366
D879,523 S	3/2020	Lampela et al.	
D880,885 S *	4/2020	Li	D6/366
D881,621 S	4/2020	Jin et al.	
10,617,226 B1	4/2020	Liao	
D883,690 S	5/2020	Dassen	
D883,691 S	5/2020	Dassen	
D887,157 S	6/2020	Holbrook	
D899,836 S	10/2020	Chu	
D902,614 S *	11/2020	Peng	D6/366
D903,353 S	12/2020	Meda	
D906,711 S *	1/2021	Li	D6/366
D907,935 S	1/2021	Deevers	
D908,381 S *	1/2021	Breen	D6/366
D912,419 S	3/2021	Chen	
2003/0189367 A1	10/2003	Erker	
2007/0057560 A1	3/2007	Fookes	
2007/0108821 A1 *	5/2007	Ueda	A47C 1/03255 297/301.1
2008/0100121 A1	5/2008	Serber	
2009/0018833 A1	1/2009	Kozat et al.	
2009/0261644 A1	10/2009	Piretti	
2011/0233979 A1	9/2011	An	
2013/0341980 A1	12/2013	Halliday et al.	
2014/0077429 A1	3/2014	Batley	
2014/0077541 A1	3/2014	Krupiczewicz	
2014/0077548 A1 *	3/2014	Peterson	A47C 3/00 297/284.4
2016/0220025 A1	8/2016	Piretti	
2018/0310721 A1	11/2018	Schmitz et al.	
2020/0085194 A1	3/2020	Maier et al.	
2020/0305610 A1	10/2020	Bock	

* cited by examiner

FIG. 1

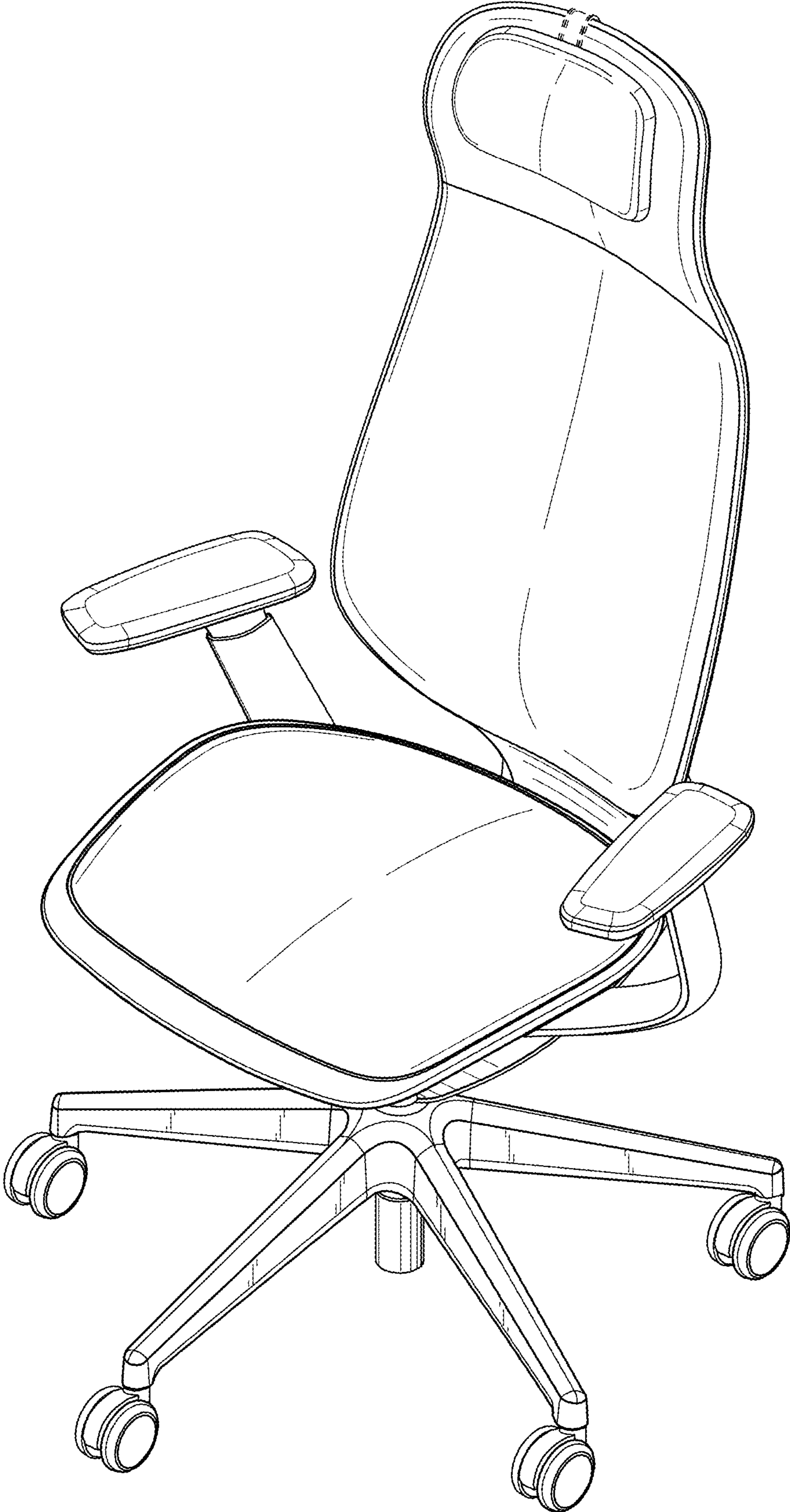


FIG. 2



FIG. 3

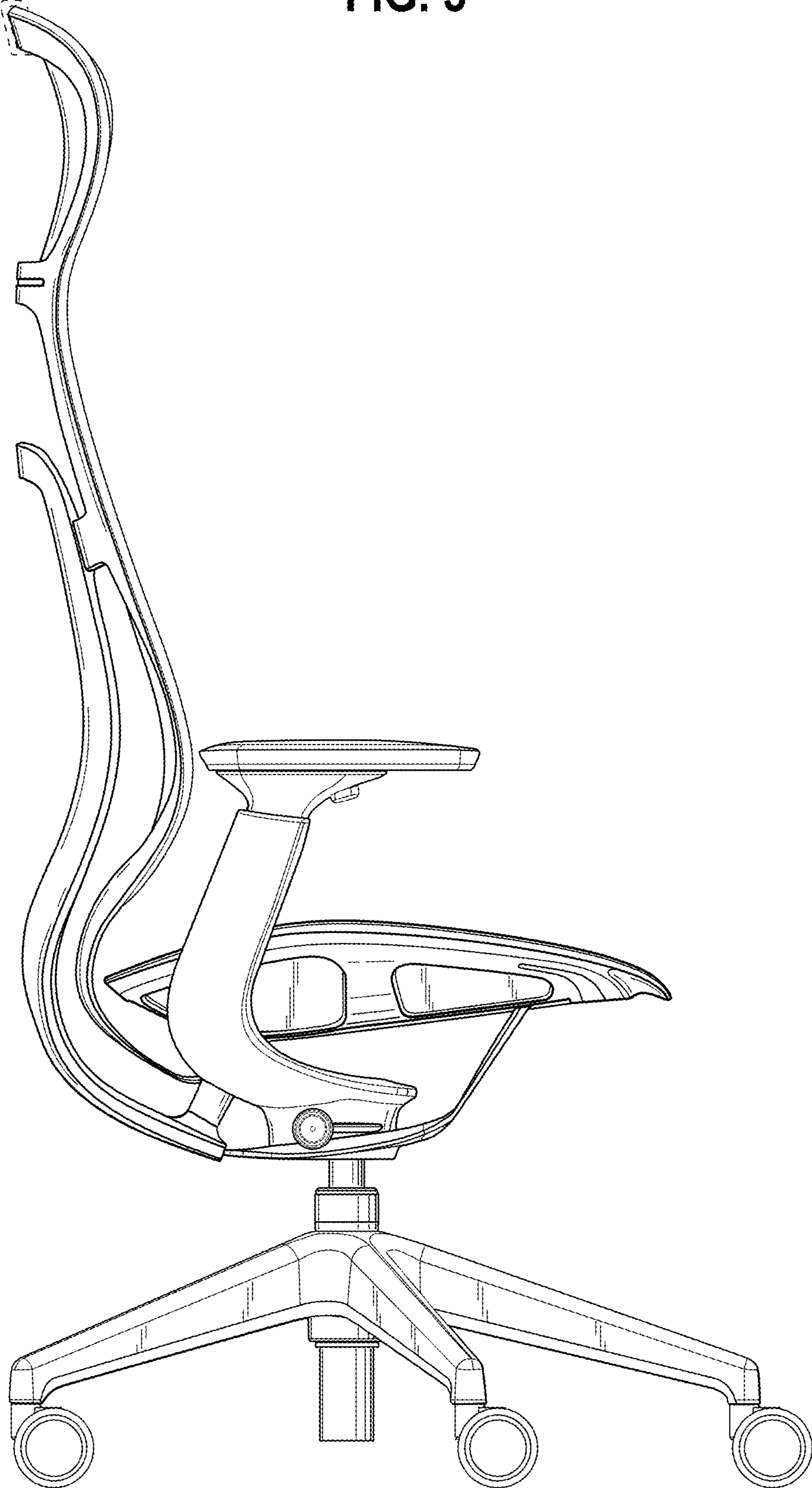


FIG. 4

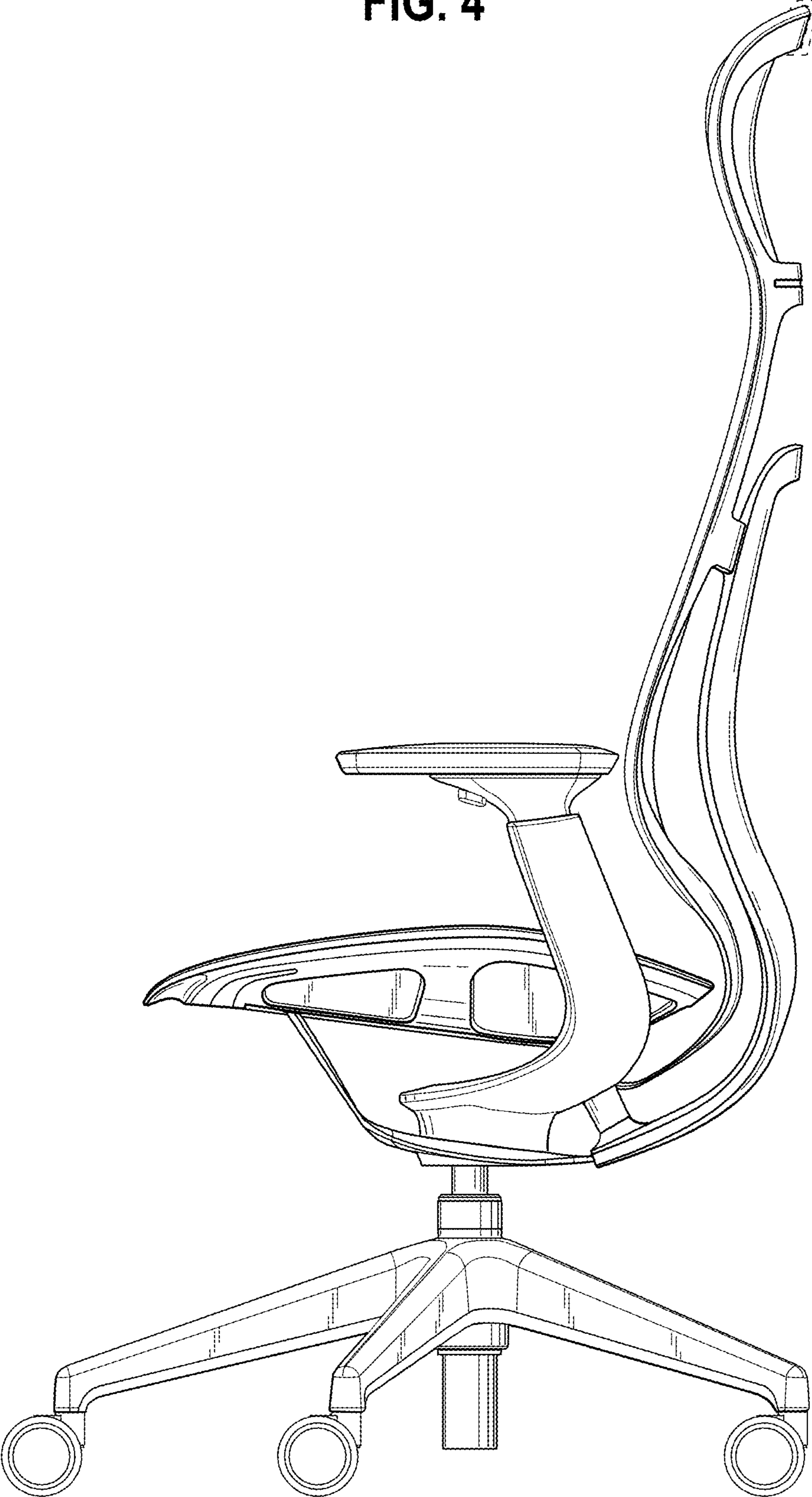


FIG. 5

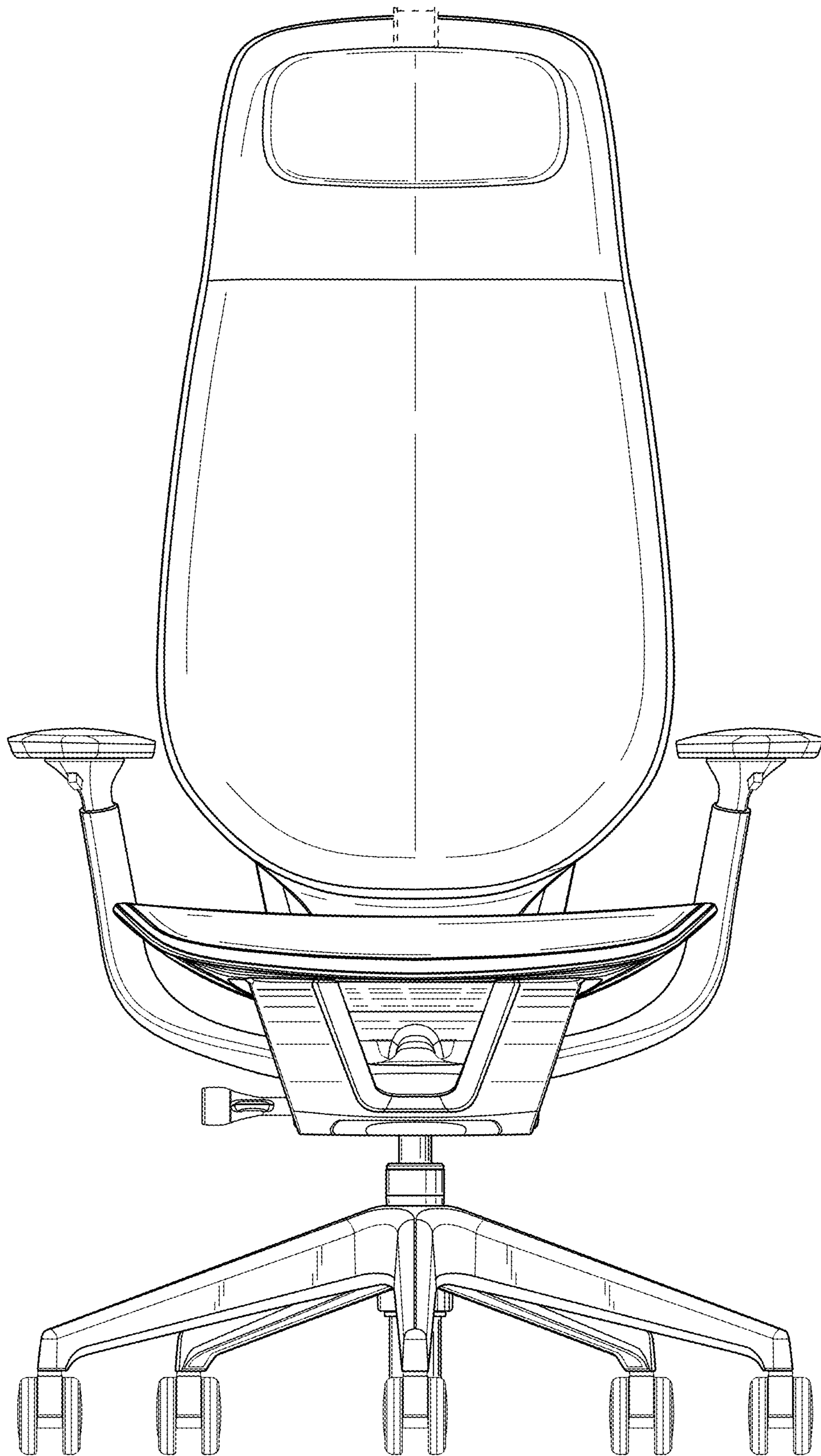


FIG. 6

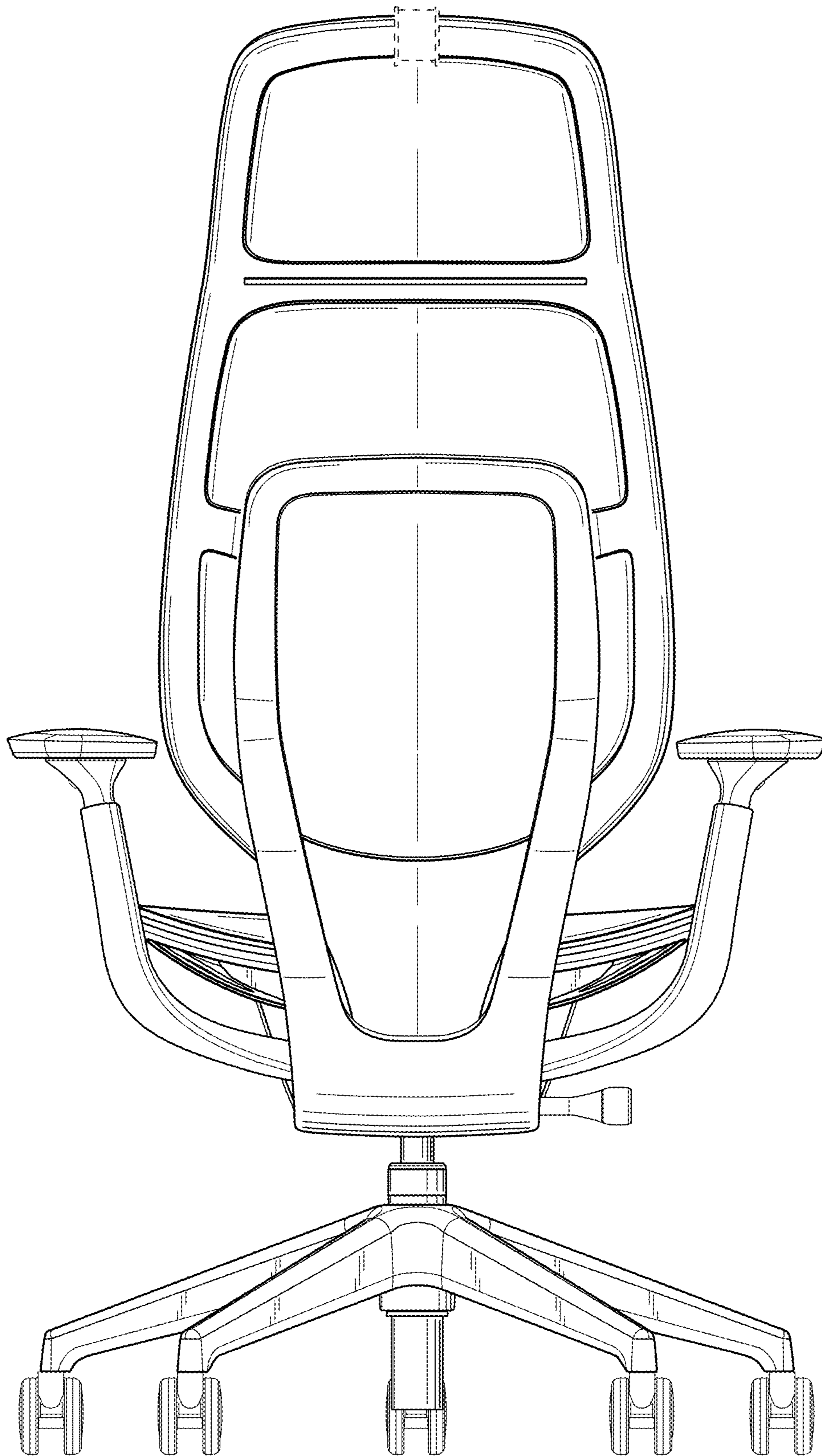


FIG. 7

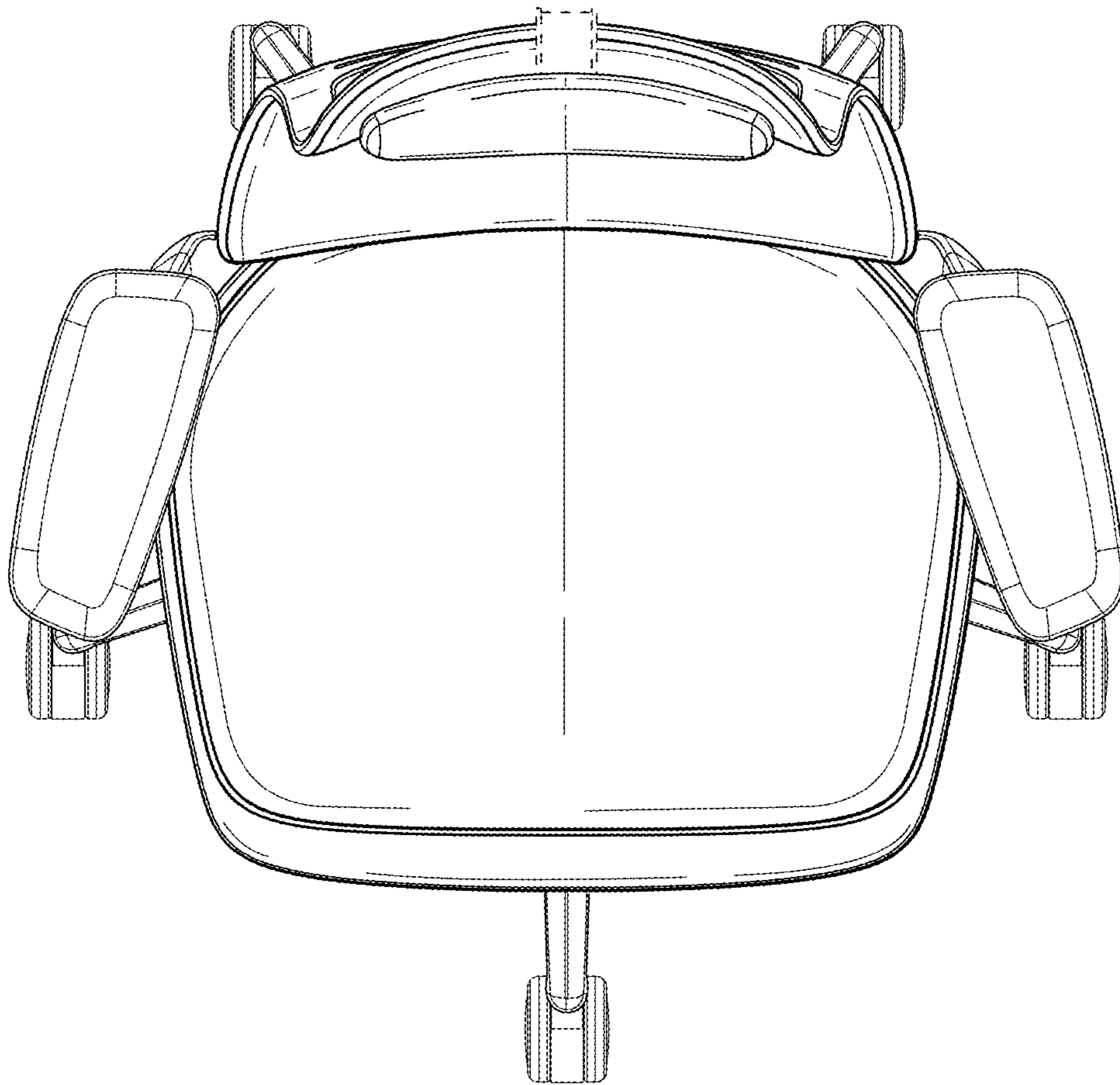


FIG. 8

