

US00D936983S

(12) **United States Design Patent**
Pons

(10) **Patent No.:** **US D936,983 S**
(45) **Date of Patent:** **** Nov. 30, 2021**

(54) **SEAT**
(71) Applicant: **FIGUERAS SEATING SOLUTIONS, S.L.**, Lliçà d'Amunt (ES)
(72) Inventor: **Pablo Borrás Pons**, Lliçà d'Amunt (ES)
(73) Assignee: **FIGUERAS SEATING SOLUTIONS, S.L.**, Lliçà d'Amunt (ES)

3,182,377 A * 5/1965 Hoven A47C 1/12
29/91.1
5,236,165 A * 8/1993 Conway A47C 1/12
16/19
D509,672 S * 9/2005 Nemeth, Jr. D6/368
D520,765 S * 5/2006 Piano D6/368
D558,469 S * 1/2008 Lade D6/334
D572,914 S * 7/2008 Overthun D6/334
D672,980 S * 12/2012 Mitjans D6/364
8,820,827 B2 * 9/2014 Olarte A47C 7/002
297/130

(Continued)

(**) Term: **15 Years**

FOREIGN PATENT DOCUMENTS

(21) Appl. No.: **29/715,998**

CH 483820 A * 1/1970 A47C 1/12
FR 2046929 A1 * 3/1971 A47C 1/12
JP 411318623 A * 11/1999

(22) Filed: **Dec. 5, 2019**

(30) **Foreign Application Priority Data**

OTHER PUBLICATIONS

Oct. 3, 2019 (EM) 006974150-0001

Alibaba.com. https://www.alibaba.com/product-detail/fixed-tiering-auditorium-chair-education-theater_62005824468.html. "fixed tiering auditorium chair". Date unknown: Viewed Jul. 2021 (Year: 2021).*

(51) **LOC (13) Cl.** **06-01**

(52) **U.S. Cl.**
USPC **D6/364**

(58) **Field of Classification Search**
USPC D6/334, 364, 365, 366, 370, 371, 373, D6/374, 379, 380, 716.1, 716.4
CPC A47C 3/00; A47C 3/04; A47C 3/12; A47C 3/18; A47C 3/20; A47C 1/143; A47C 1/12; A47C 1/121; A47C 1/124; A47C 7/24; A47C 7/36; A47C 7/46; A47C 7/18; A47C 7/40; A47C 7/54

See application file for complete search history.

Primary Examiner — R. Johnson
(74) *Attorney, Agent, or Firm* — McAndrews, Held & Malloy, Ltd.

(57) **CLAIM**

The ornamental design for a seat, as shown and described.

DESCRIPTION

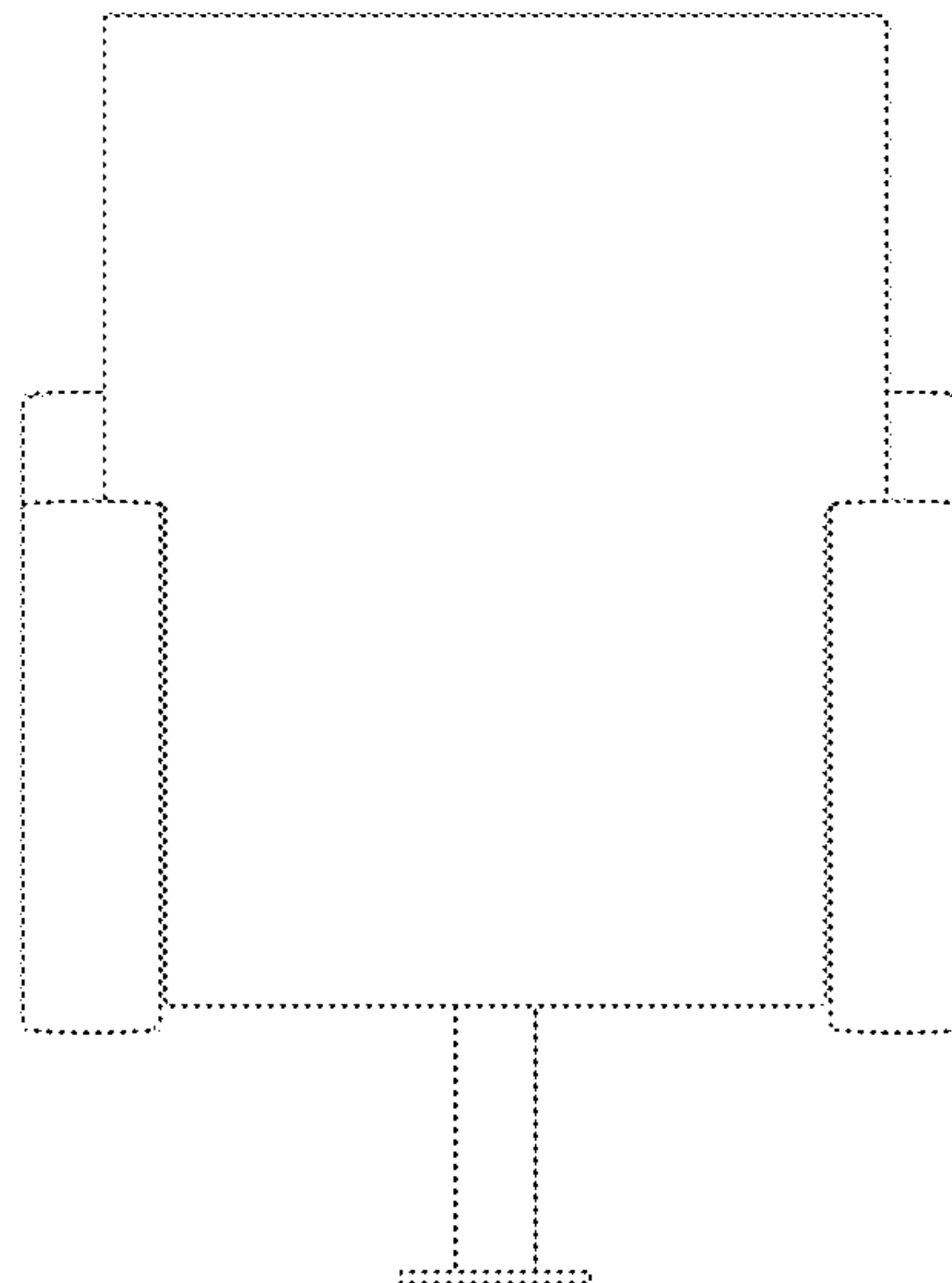
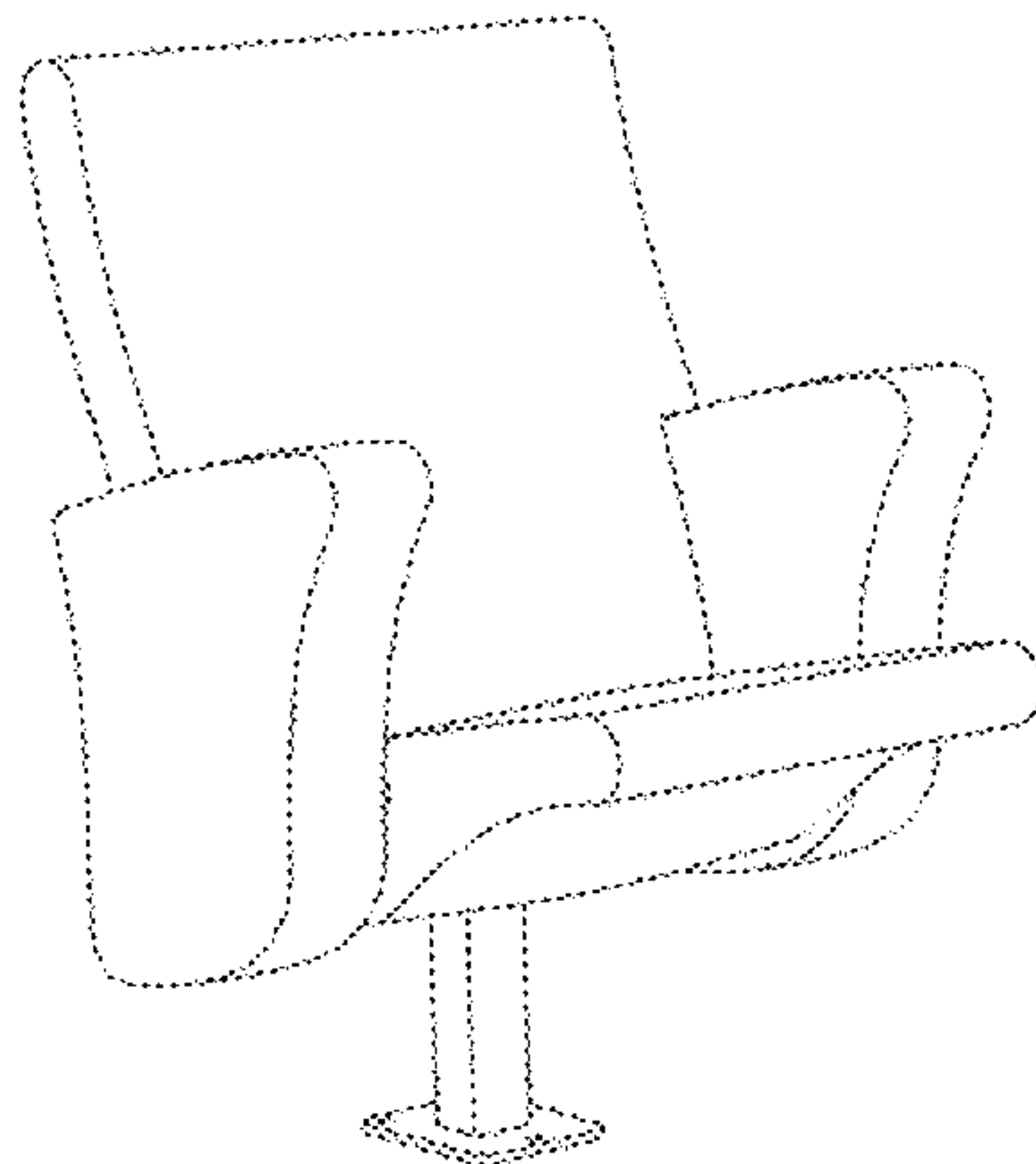
FIG. 1 is a front perspective view of a seat showing my new design;
FIG. 2 is a front elevation view thereof;
FIG. 3 is a top plan view thereof;
FIG. 4 is a right side elevation view thereof;
FIG. 5 is a rear elevation view thereof;
FIG. 6 is a bottom plan view thereof; and,
FIG. 7 is a left side elevation view thereof.

1 Claim, 7 Drawing Sheets

(56) **References Cited**

U.S. PATENT DOCUMENTS

714,547 A * 11/1902 Wilkinson A47C 1/12
297/13
880,314 A * 2/1908 Levin B60N 2/01583
297/13
3,137,527 A * 6/1964 Hoven A47C 1/121
297/411.45



(56)

References Cited

U.S. PATENT DOCUMENTS

D847,527 S * 5/2019 Borrás Pons D6/368
2013/0001990 A1* 1/2013 Maksymowski A47C 1/121
297/248

* cited by examiner

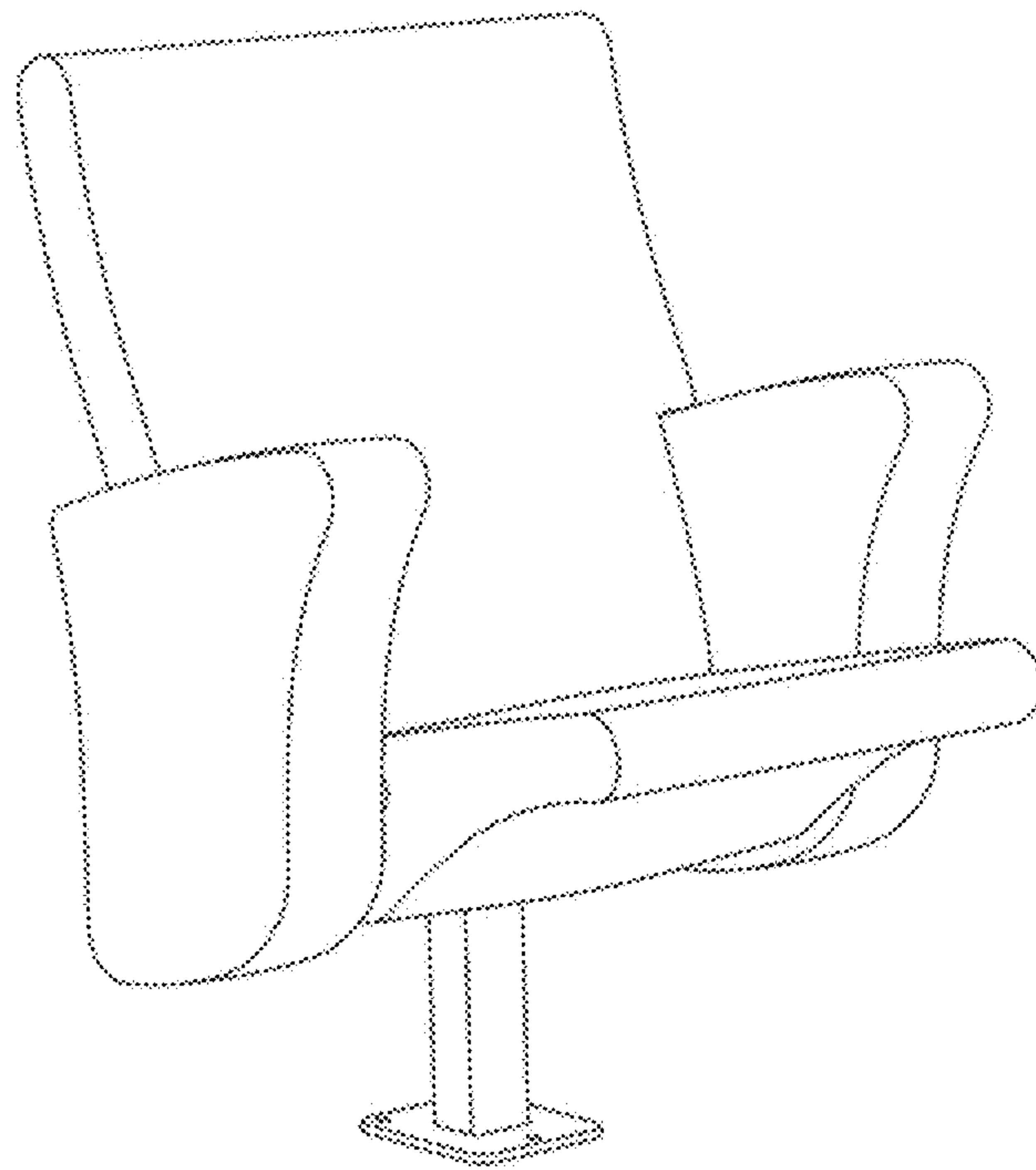


FIG. 1

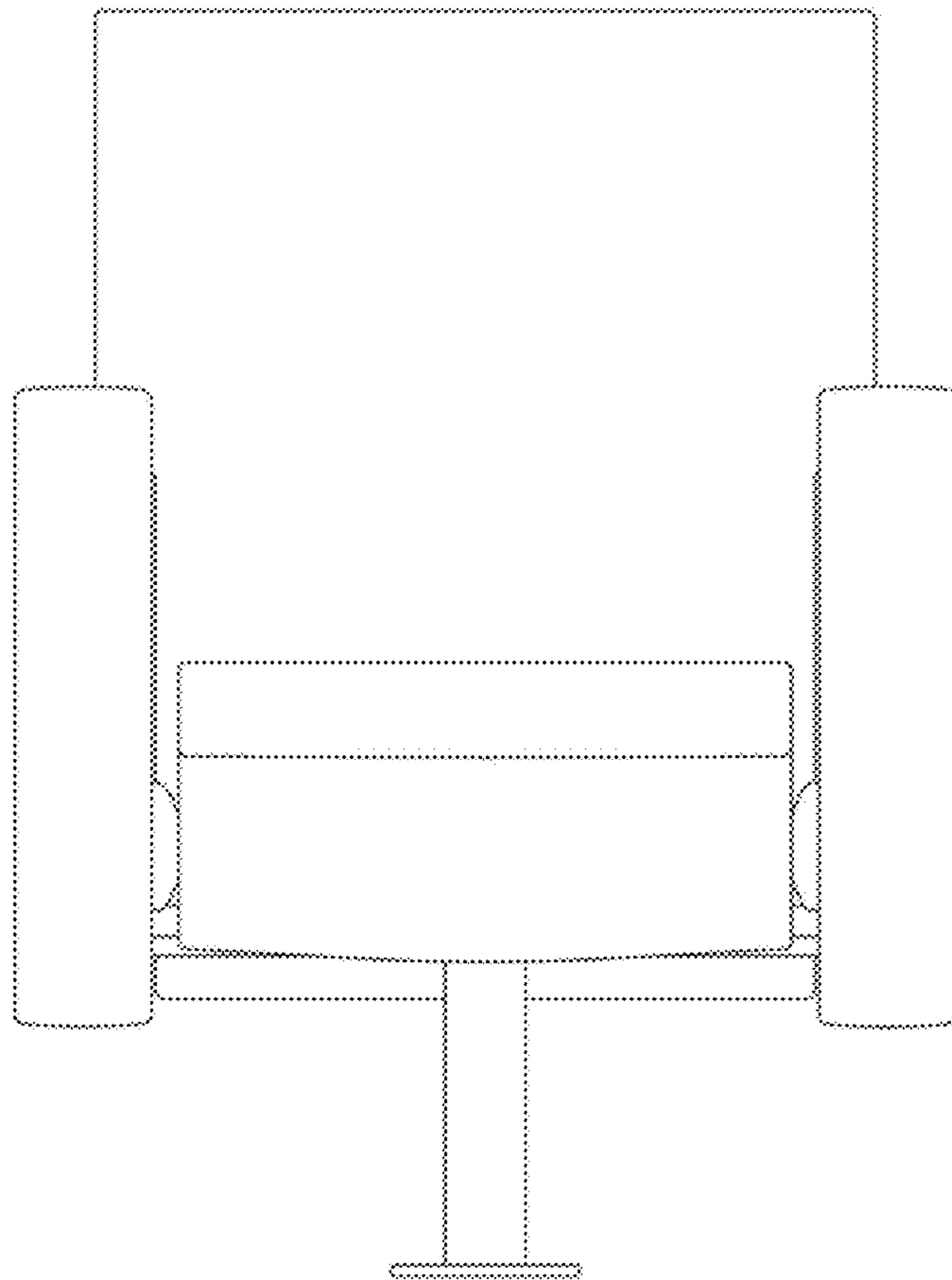


FIG. 2

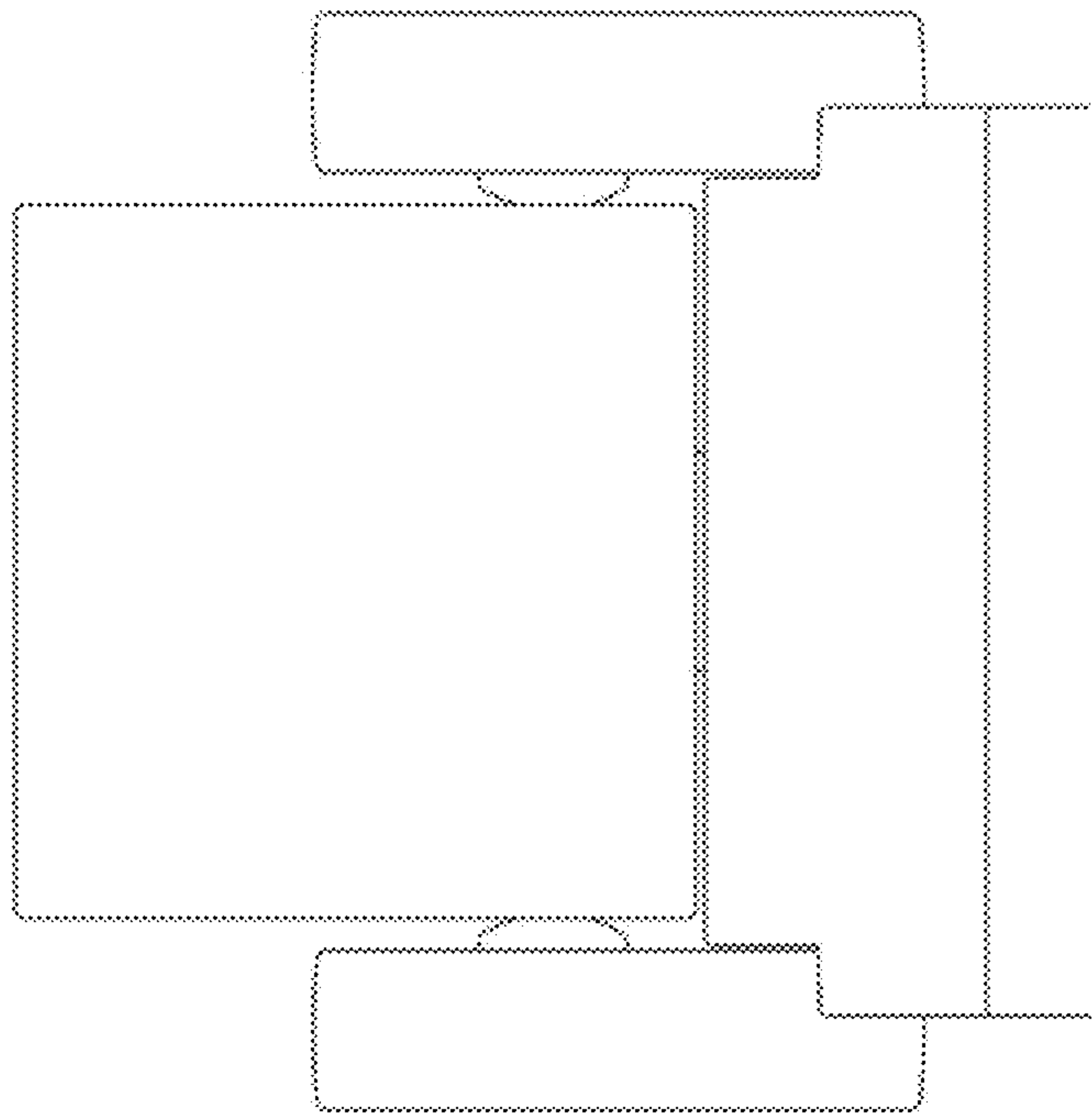


FIG. 3

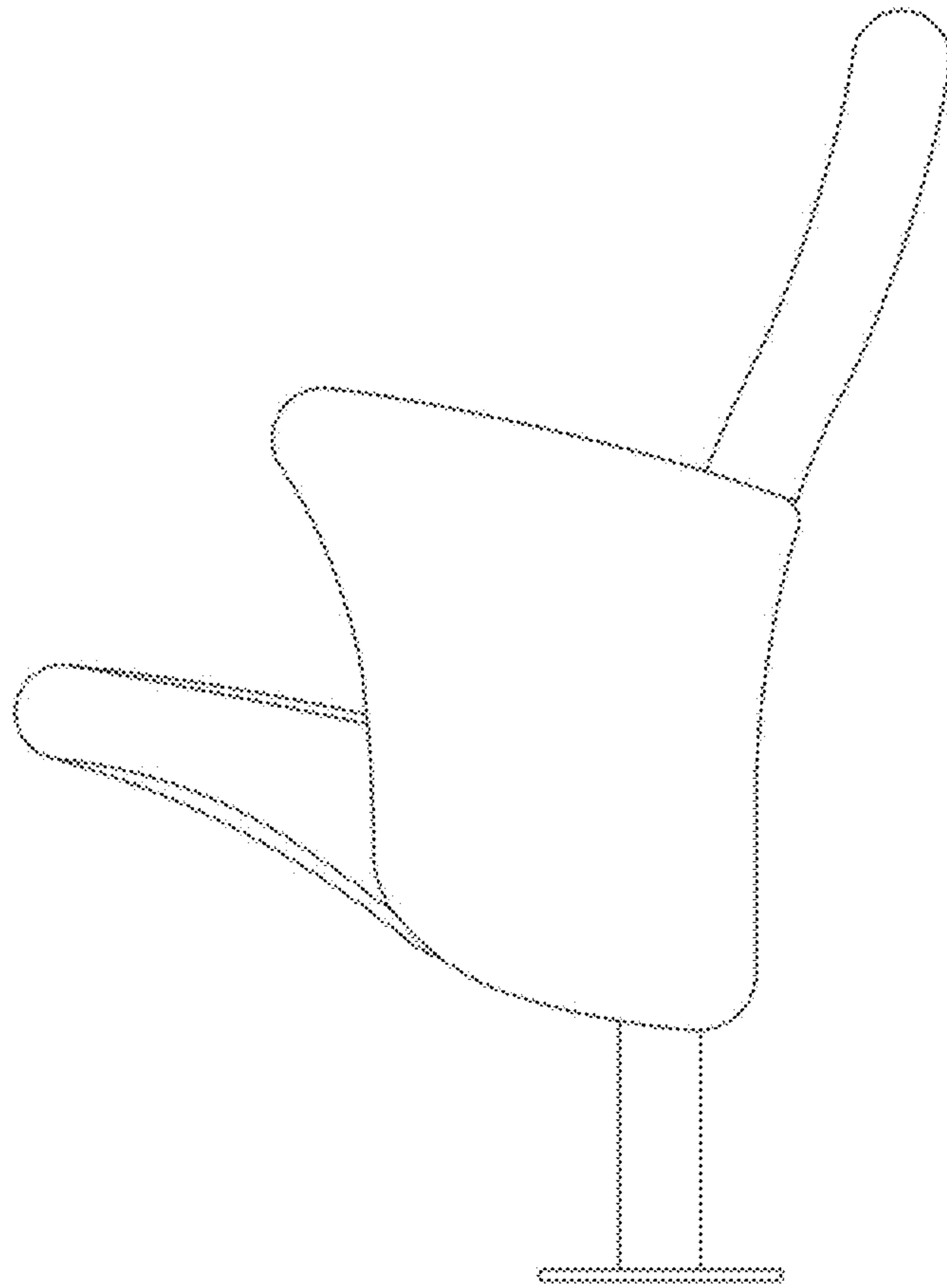


FIG. 4

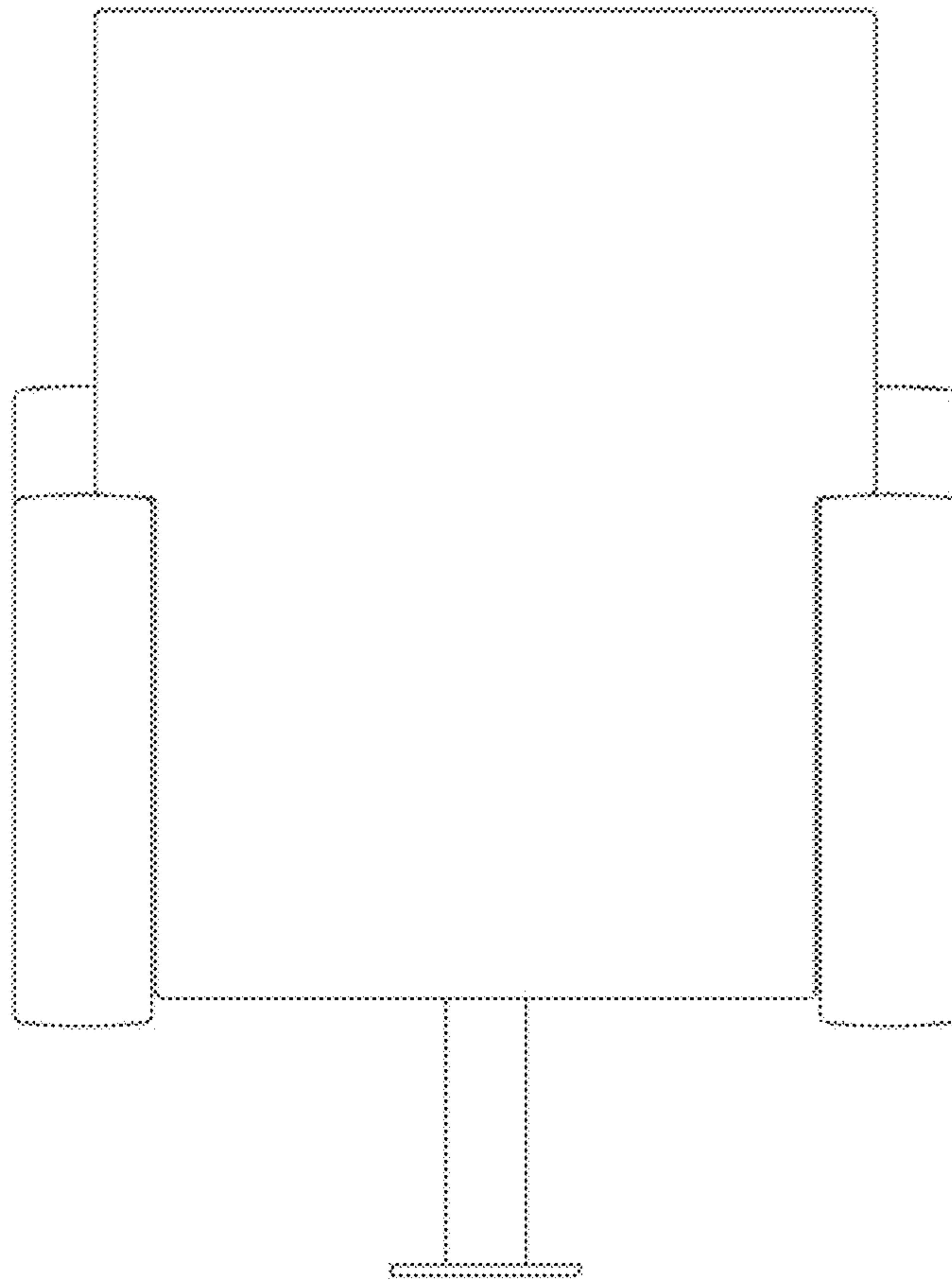


FIG. 5

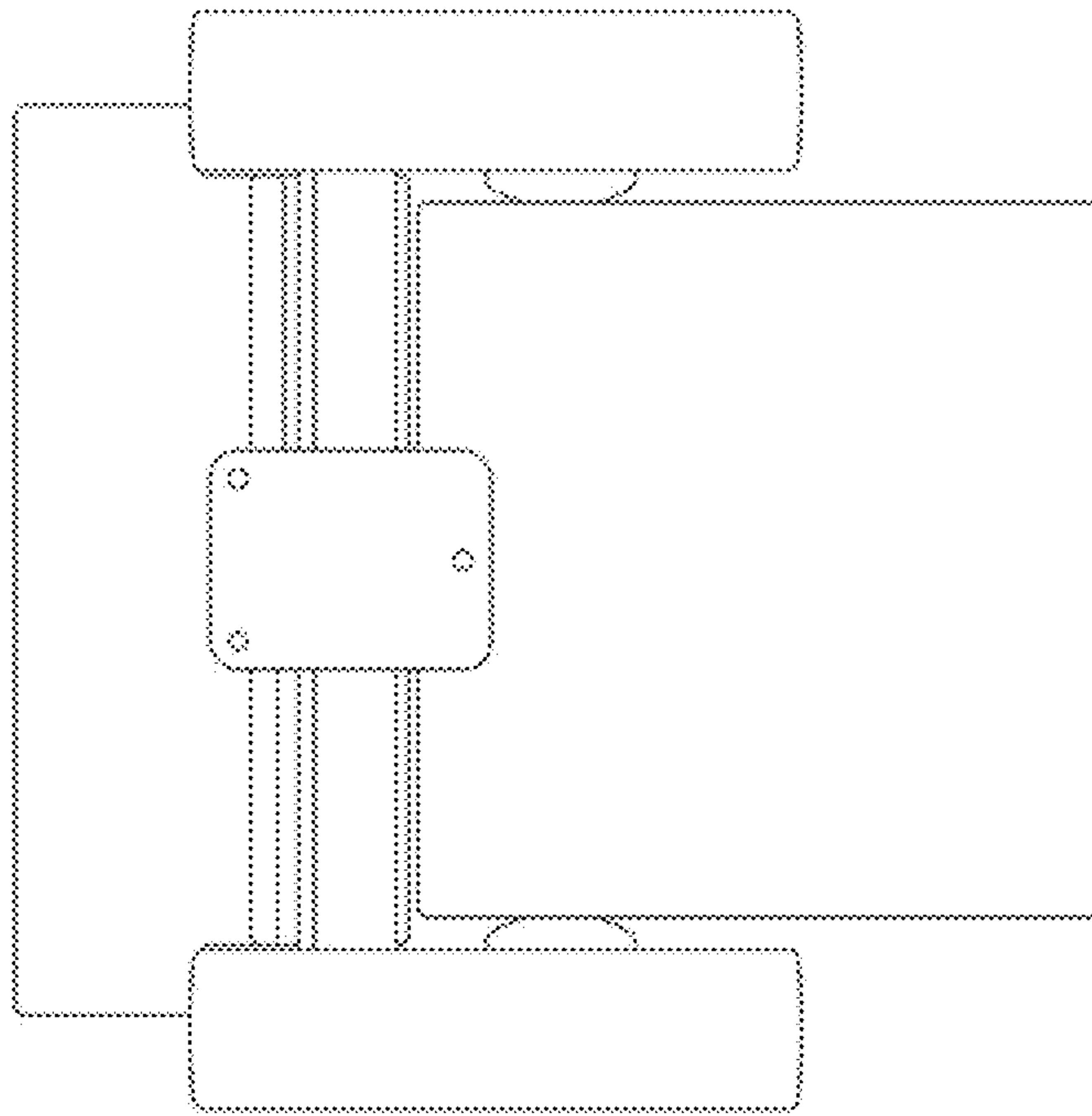


FIG. 6

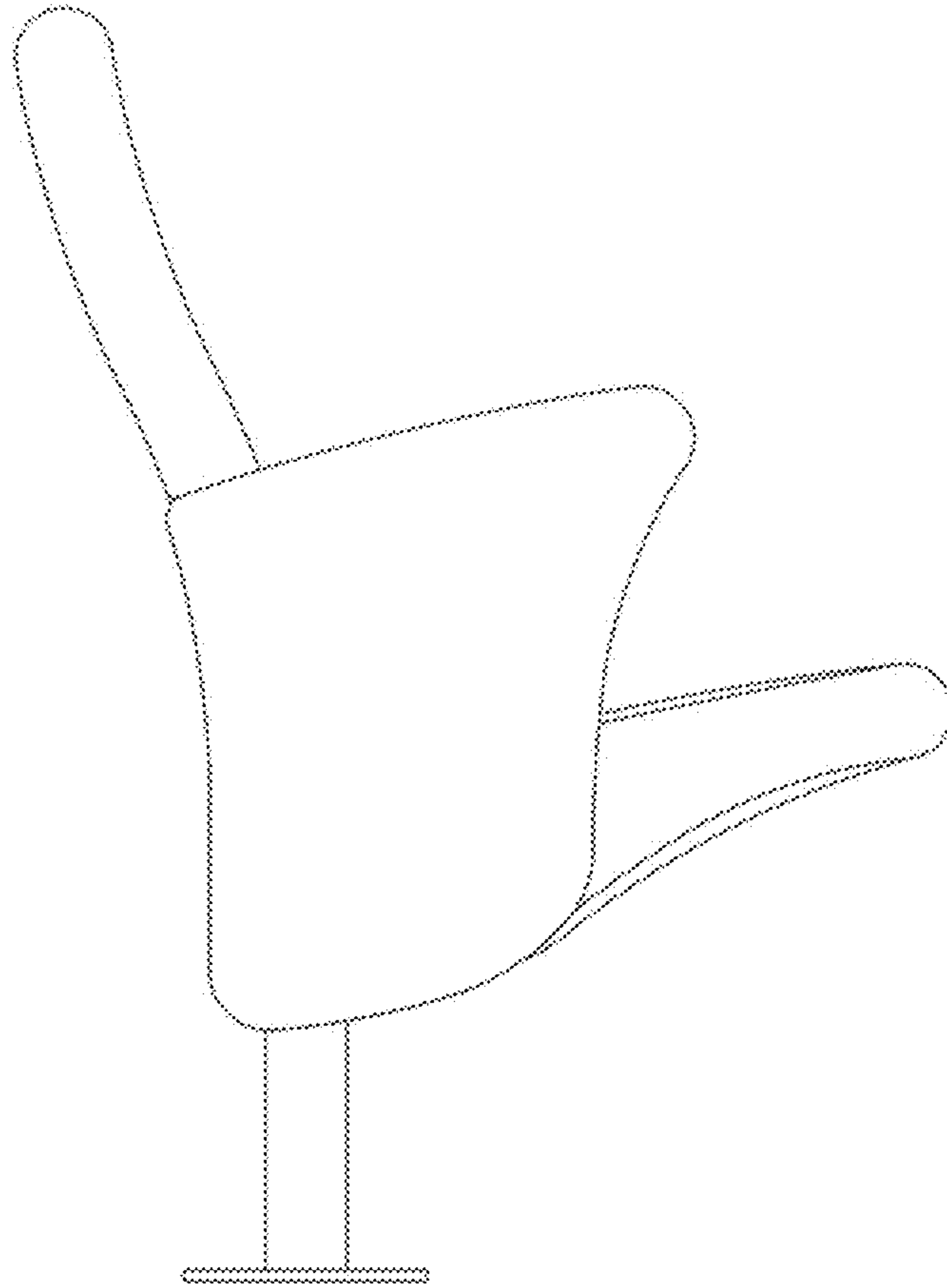


FIG. 7