



US00D936982S

(12) **United States Design Patent**  
**McConoughey et al.**

(10) **Patent No.:** **US D936,982 S**

(45) **Date of Patent:** **\*\* Nov. 30, 2021**

(54) **SEAT**

(71) Applicant: **Deere & Company**, Moline, IL (US)

(72) Inventors: **Gregory O. McConoughey**, Le Claire, IA (US); **Thorsten Hagner**, Ilvesheim (DE); **Mark C. DePoorter**, Coal Valley, IL (US)

(73) Assignee: **DEERE & COMPANY**, Moline, IL (US)

(\*\*) Term: **15 Years**

(21) Appl. No.: **29/698,202**

(22) Filed: **Jul. 15, 2019**

(51) **LOC (13) Cl.** ..... **06-01**

(52) **U.S. Cl.**

USPC ..... **D6/356**

(58) **Field of Classification Search**

USPC ..... D6/34-336, 356, 367, 368, 374, 379,  
D6/380, 716, 716.1, 716.2, 716.3, 716.4,  
D6/716.5

CPC ..... B60N 2/00; B60N 2/20; B60N 2/2222;  
B60N 2/64; B60N 2/643; B60N 2/58;  
B60N 2/646; B60N 2/68; B60N 2/682;  
B60N 2/686; B60N 2/80; B60N 2/803;  
B60N 2/806

See application file for complete search history.

(56) **References Cited**

**U.S. PATENT DOCUMENTS**

D577,921 S	*	10/2008	Tanaka	.....	D6/356
D684,391 S	*	6/2013	Ashley	.....	D6/356
D724,334 S	*	3/2015	Ashley	.....	D6/356
D908,377 S		1/2021	Nelson et al.		
D908,378 S		1/2021	Nelson et al.		

\* cited by examiner

*Primary Examiner* — Mimosa De

(74) *Attorney, Agent, or Firm* — Michael Best & Friedrich LLP

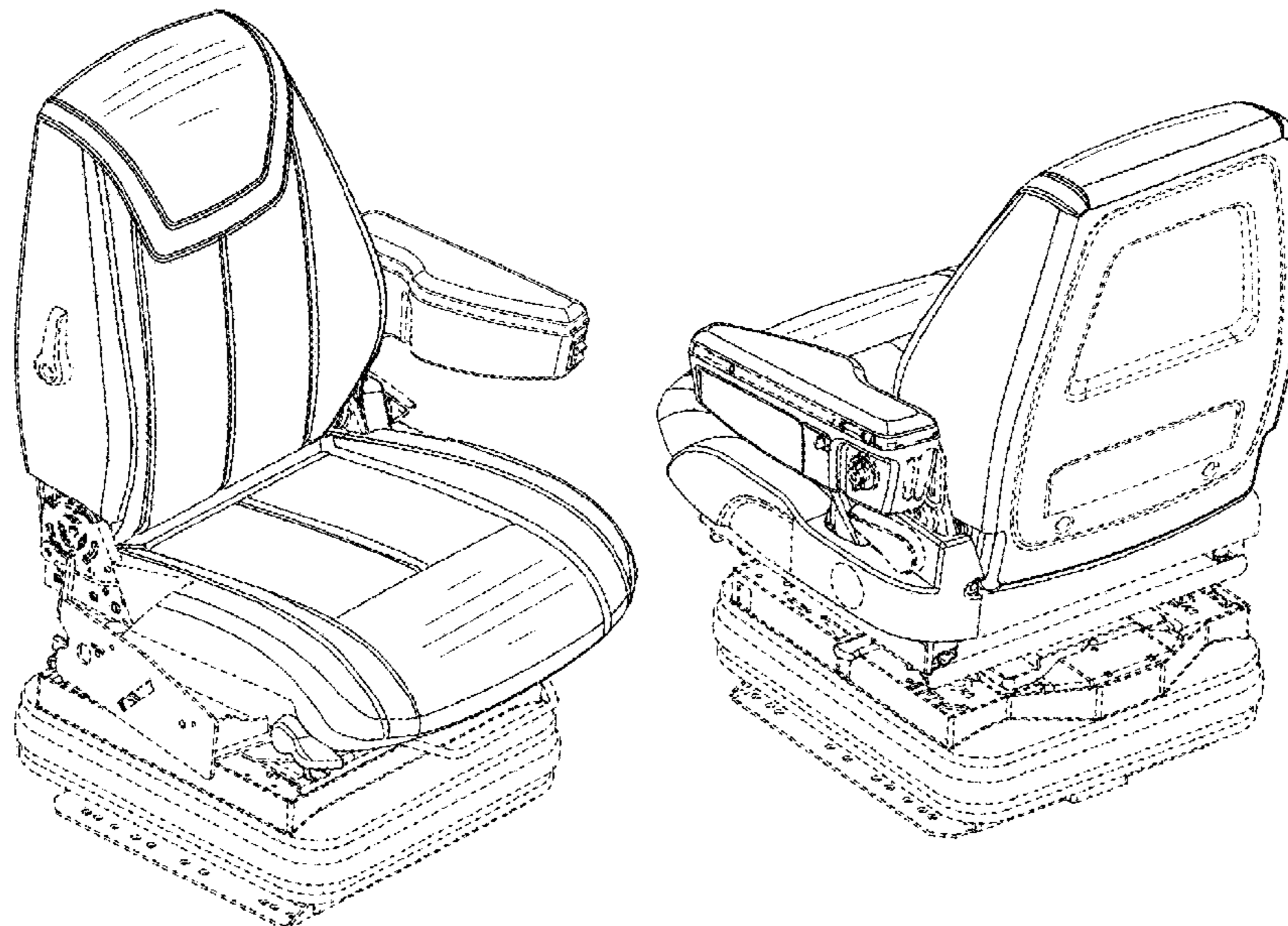
(57) **CLAIM**

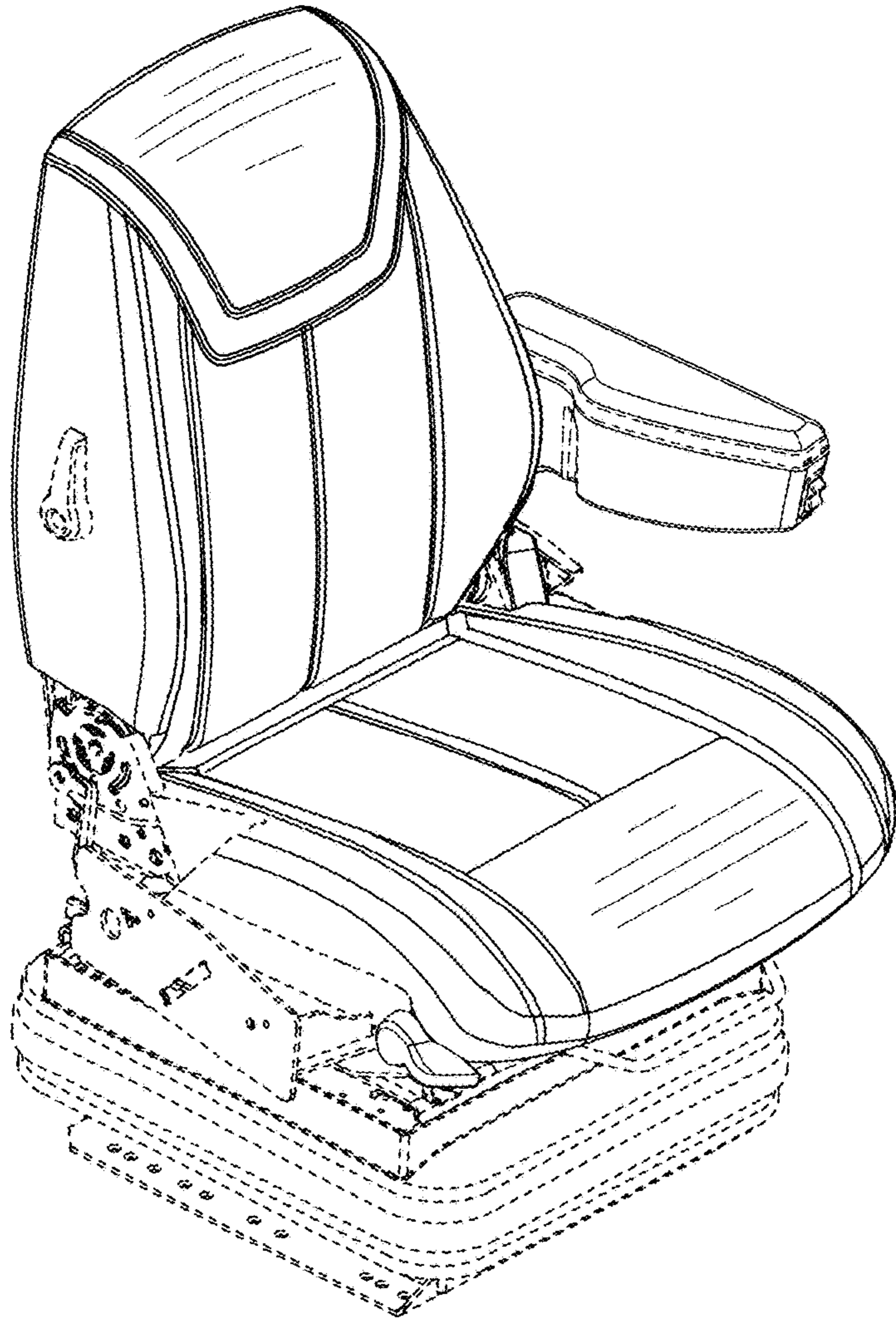
We claim the ornamental design for a seat, as shown and described.

**DESCRIPTION**

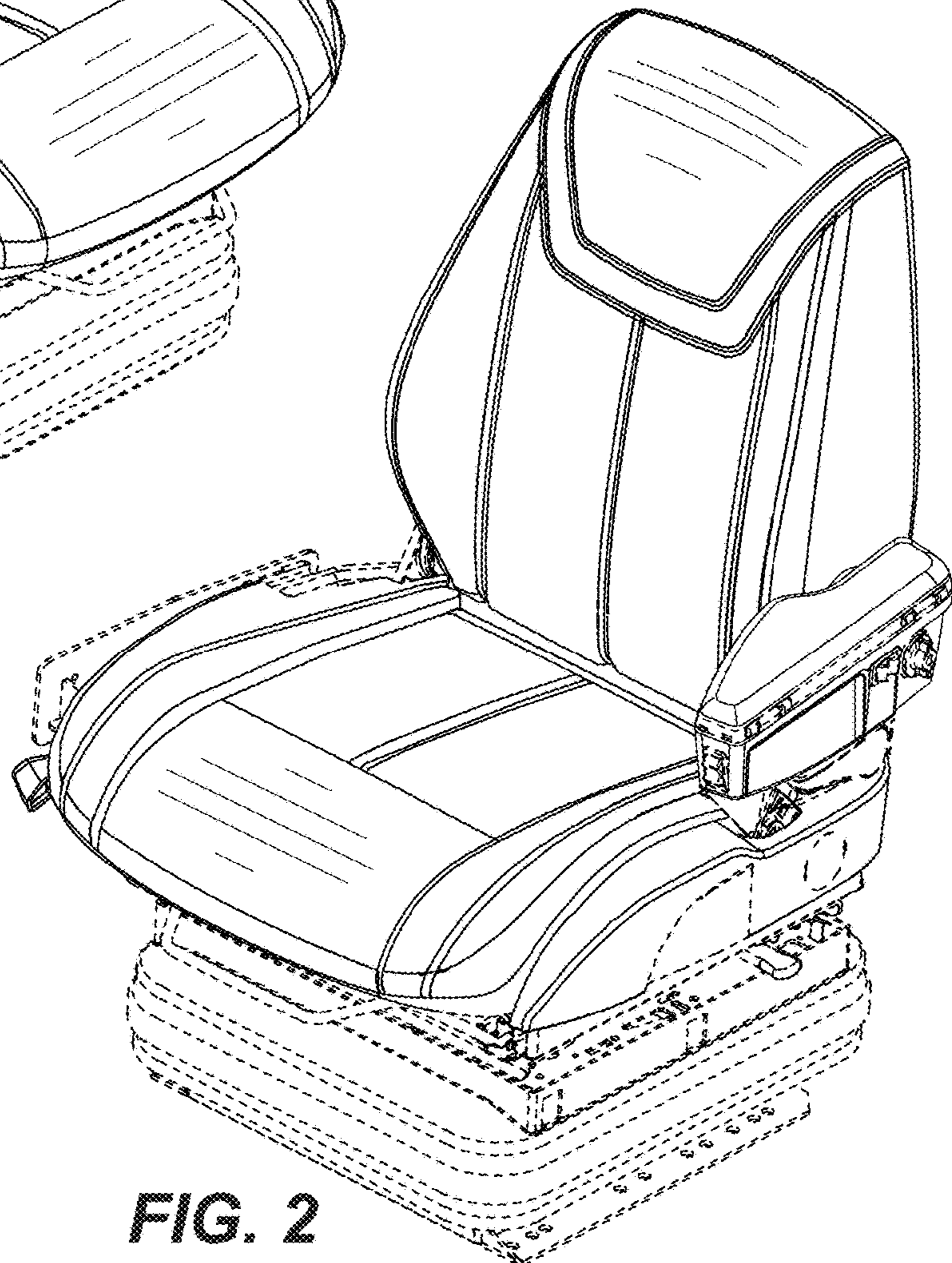
FIG. 1 is a left front perspective view of a seat.  
 FIG. 2 is a right front perspective view of the seat of FIG. 1.  
 FIG. 3 is a left rear perspective view of the seat of FIG. 1.  
 FIG. 4 is a right rear perspective view of the seat of FIG. 1.  
 FIG. 5 is a right side view of the seat of FIG. 1.  
 FIG. 6 is a left side view of the seat of FIG. 1.  
 FIG. 7 is a front view of the seat of FIG. 1.  
 FIG. 8 is a rear view of the seat of FIG. 1.  
 FIG. 9 is a top view of the seat of FIG. 1.  
 FIG. 10 is a bottom view of the seat of FIG. 1.  
 FIG. 11 is a left front perspective view of a second embodiment of a seat.  
 FIG. 12 is a right front perspective view of the seat of FIG. 11.  
 FIG. 13 is a left rear perspective view of the seat of FIG. 11.  
 FIG. 14 is a right rear perspective view of the seat of FIG. 11.  
 FIG. 15 is a right side view of the seat of FIG. 11.  
 FIG. 16 is a left side view of the seat of FIG. 11.  
 FIG. 17 is a front view of the seat of FIG. 11.  
 FIG. 18 is a rear view of the seat of FIG. 11.  
 FIG. 19 is a top view of the seat of FIG. 11; and,  
 FIG. 20 is a bottom view of the seat of FIG. 11.  
 The elements shown in broken lines are included for the purpose of illustrating environment and form no part of the claimed design.

**1 Claim, 10 Drawing Sheets**

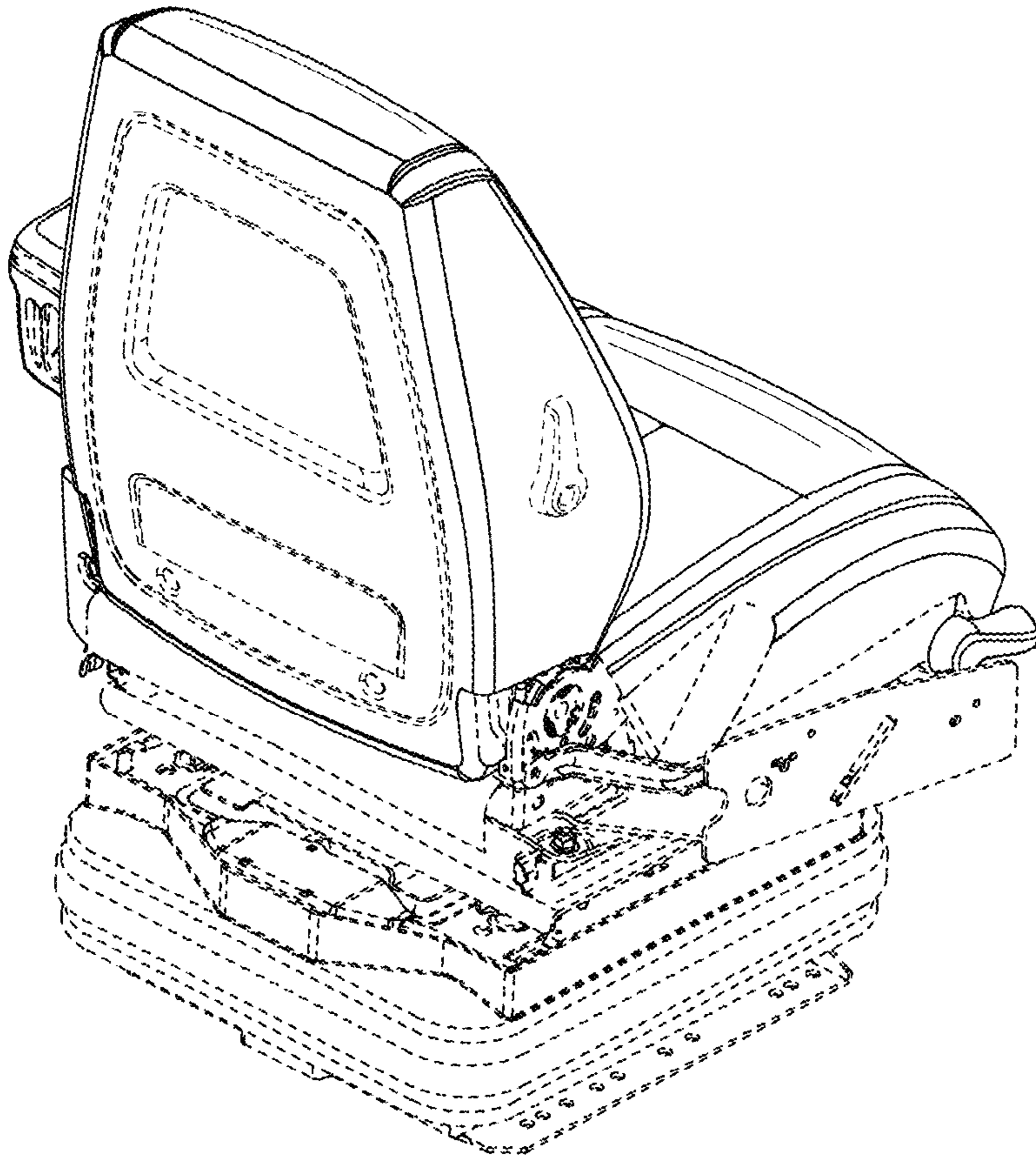




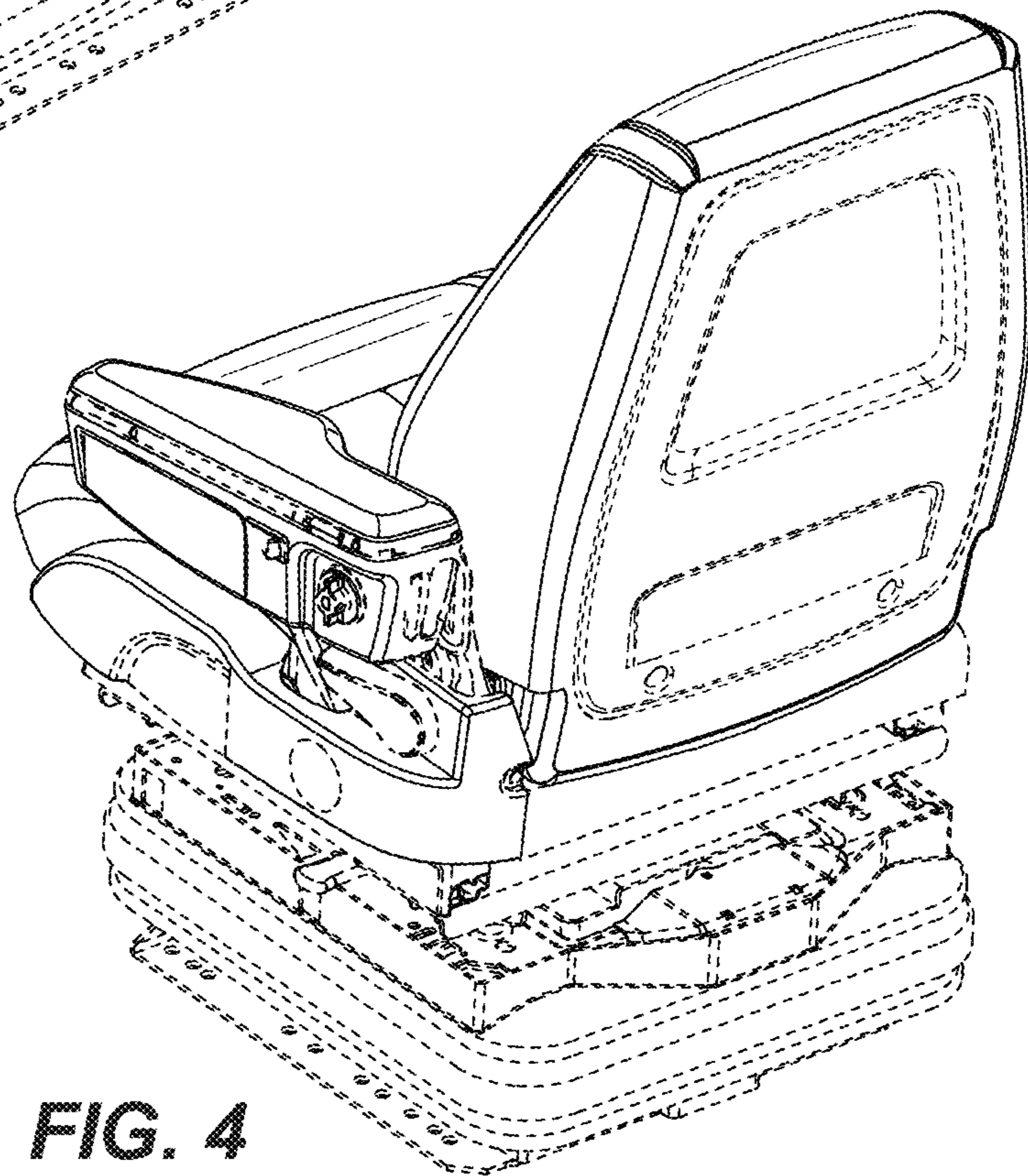
**FIG. 1**



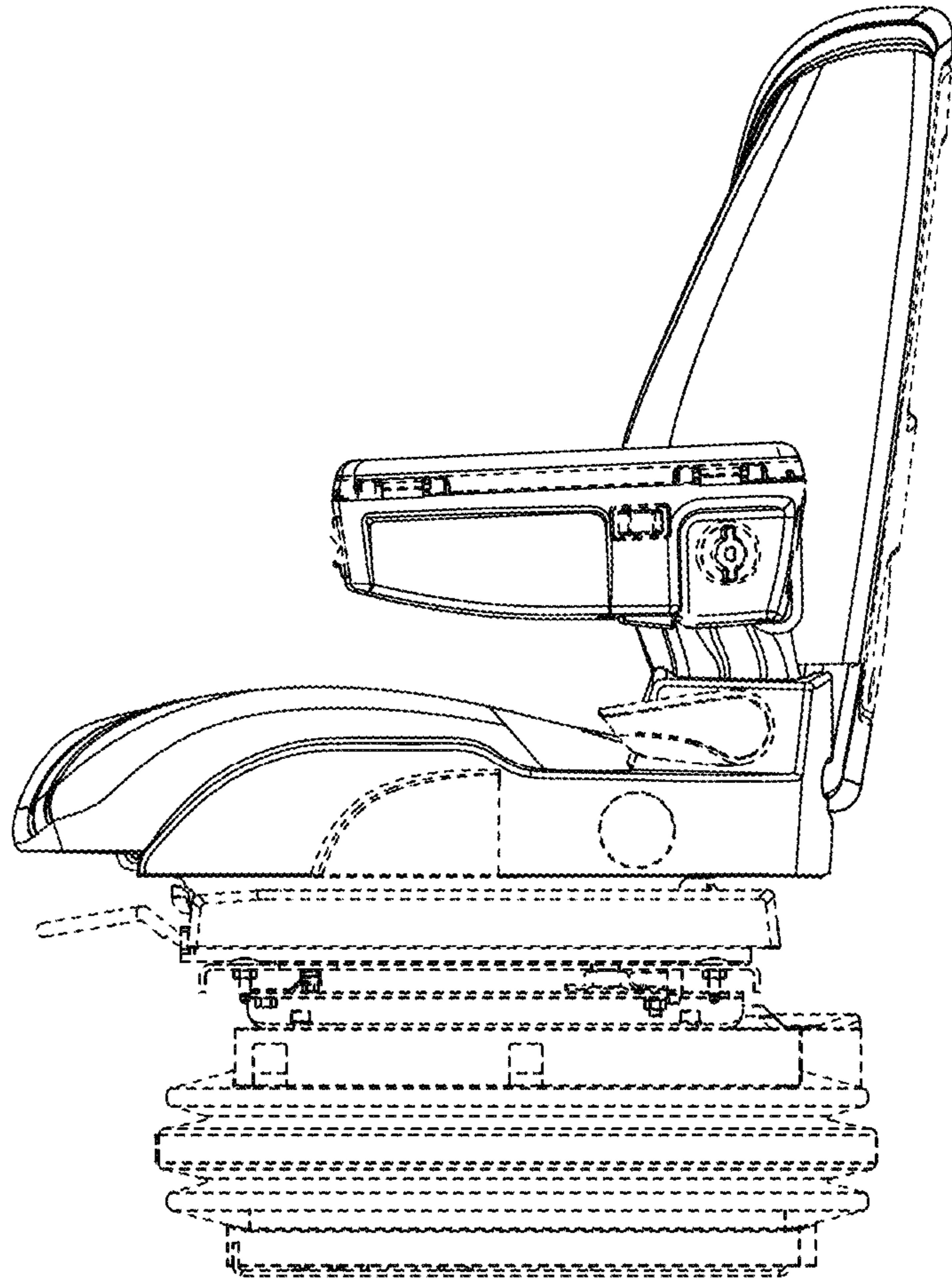
**FIG. 2**



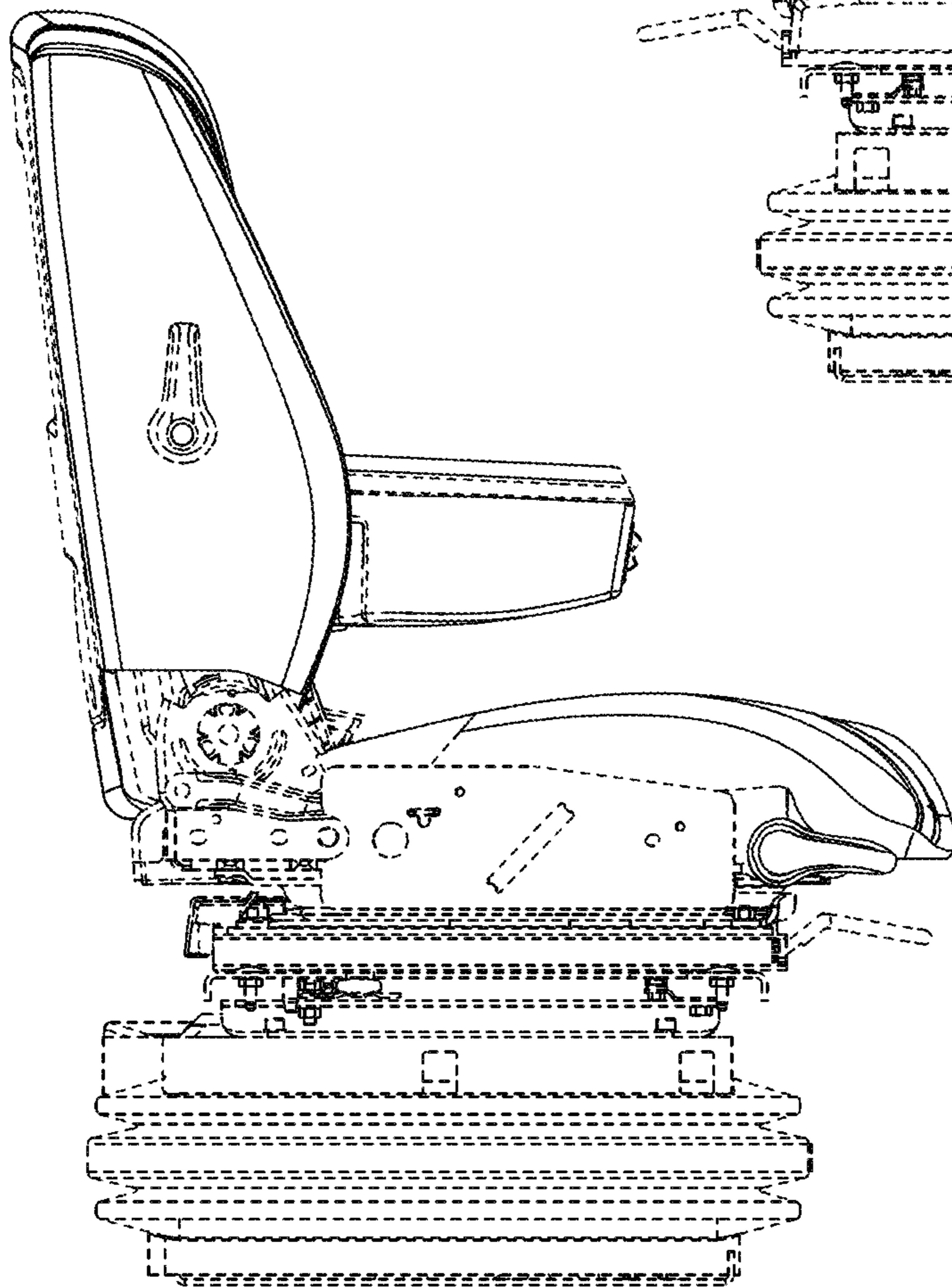
**FIG. 3**



**FIG. 4**



**FIG. 5**



**FIG. 6**

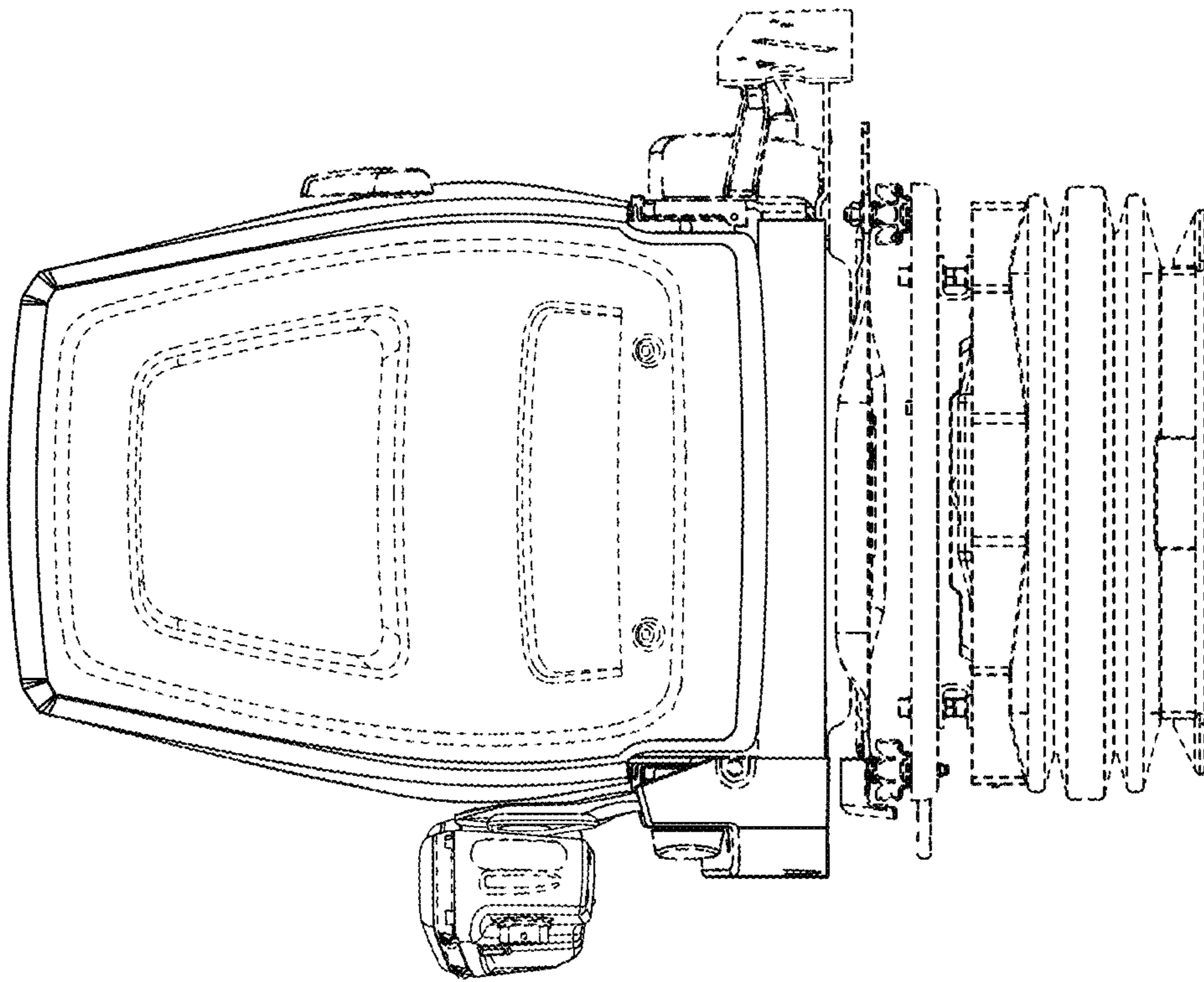


FIG. 7

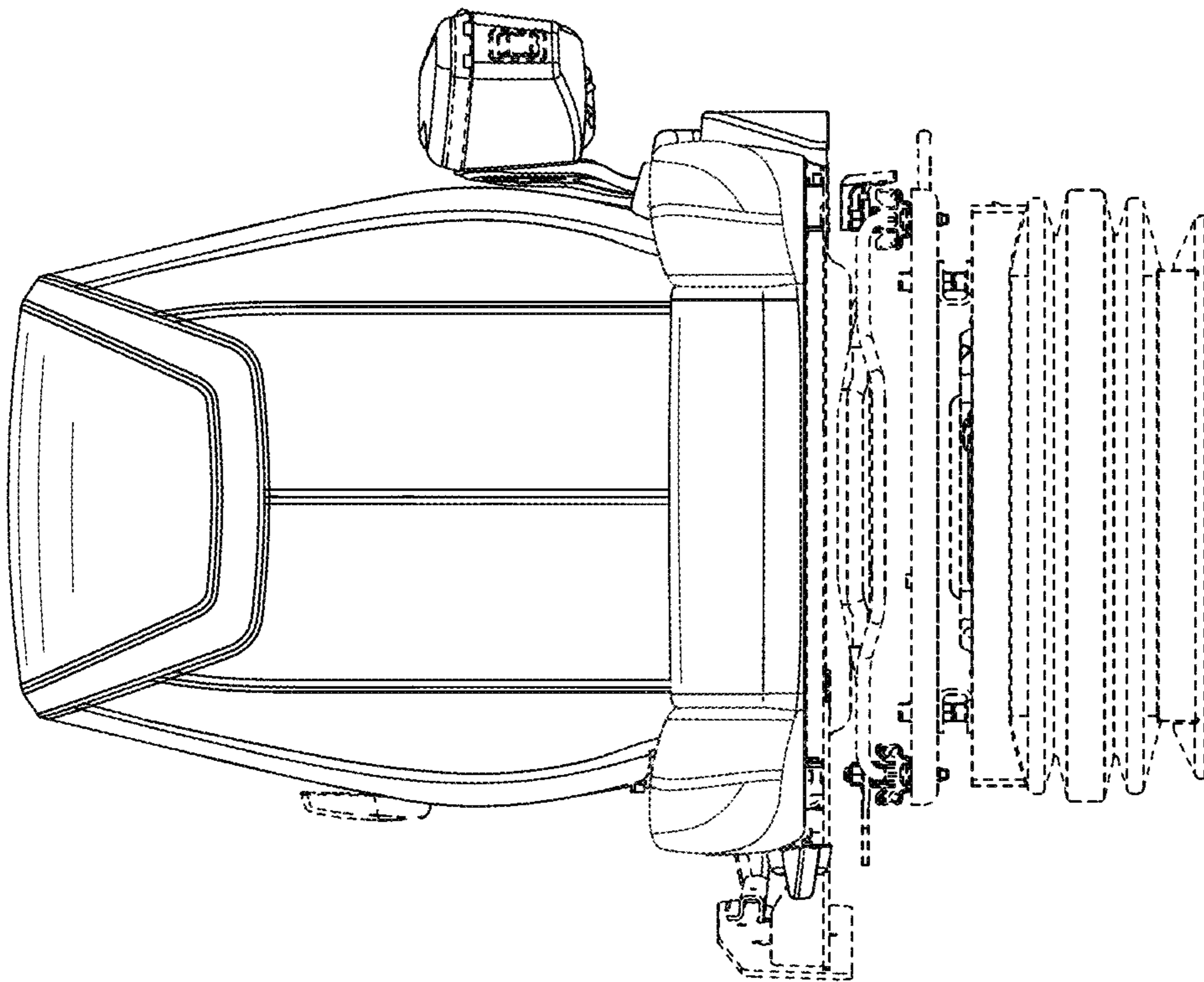
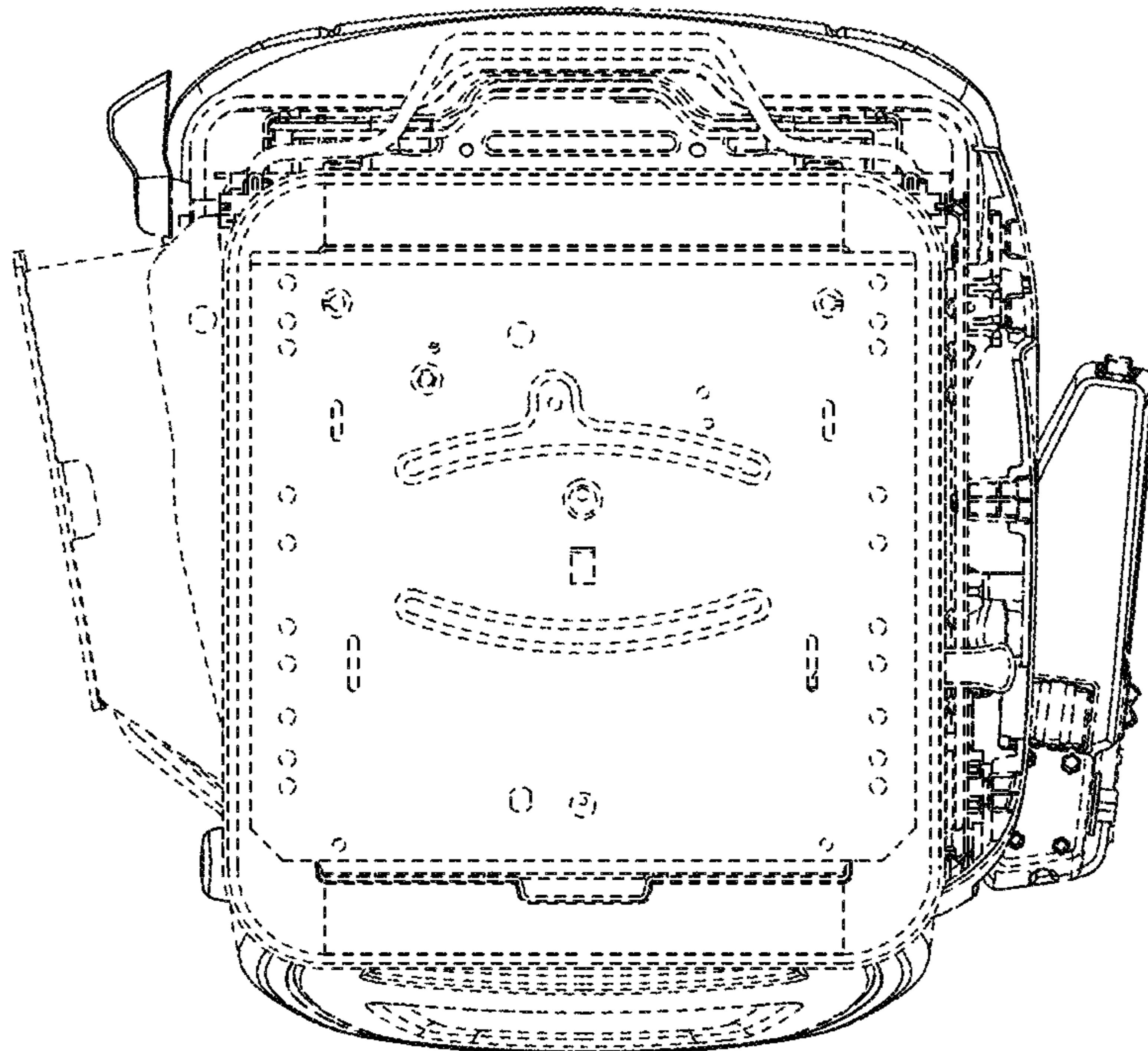


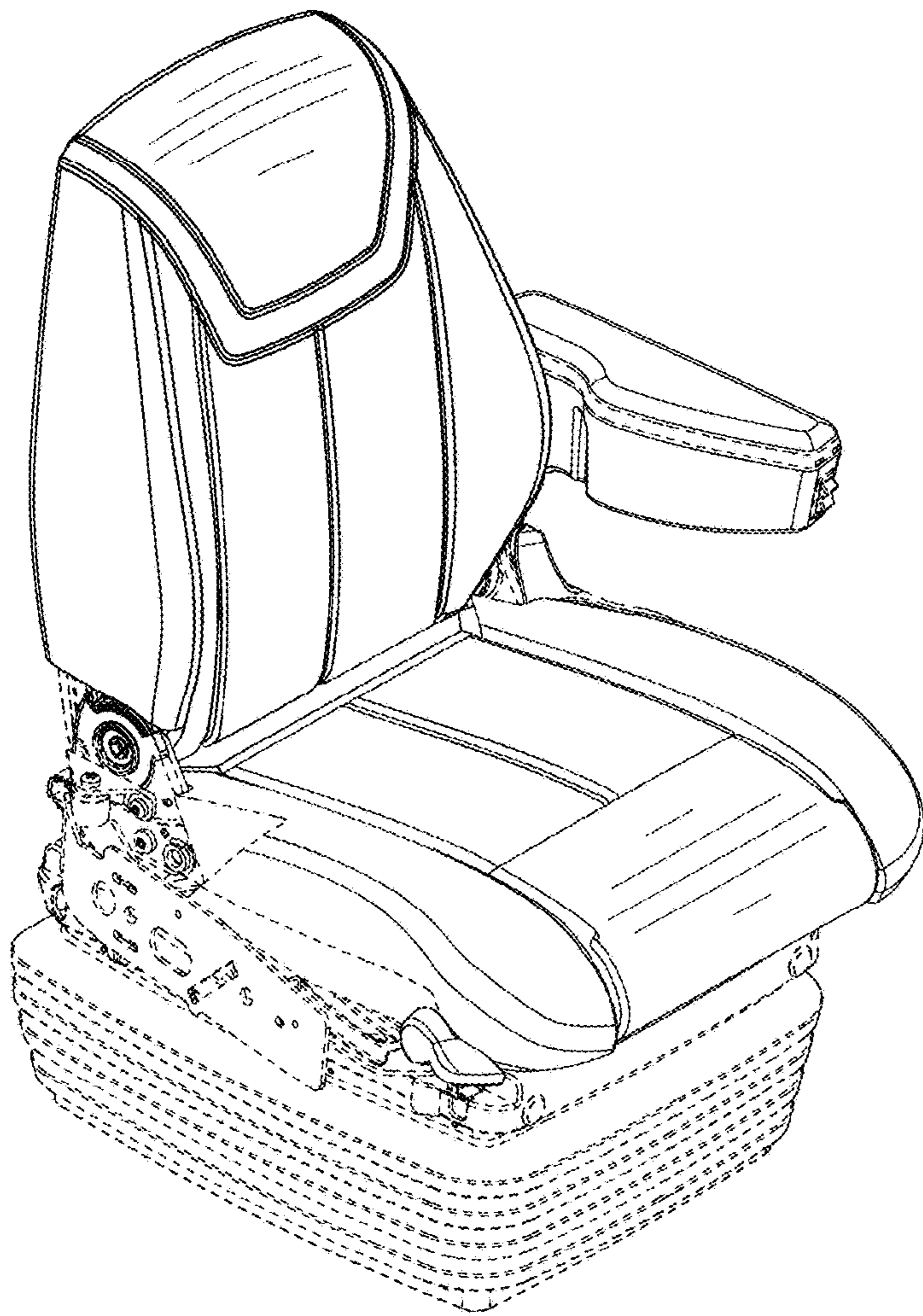
FIG. 8



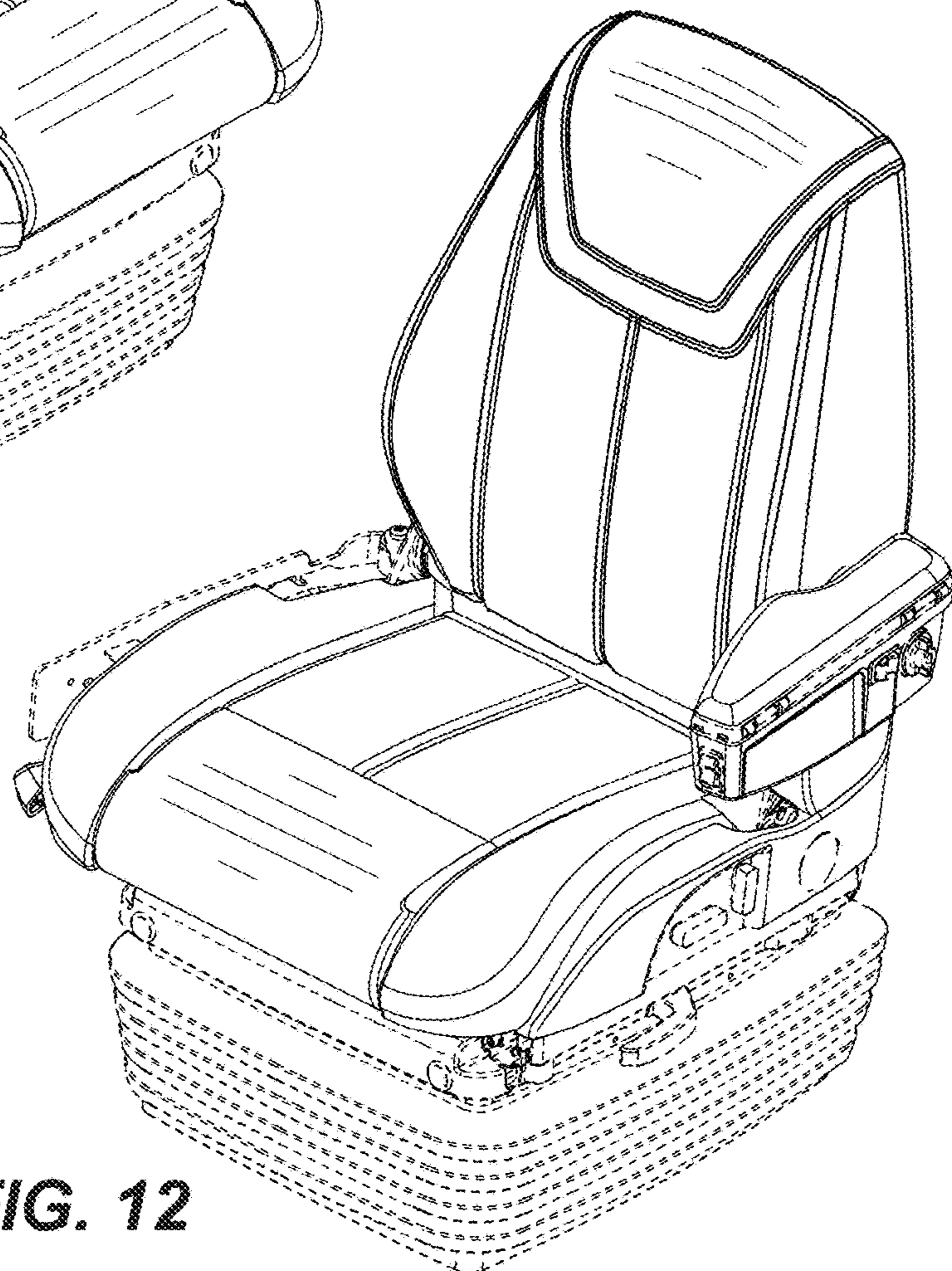
**FIG. 9**



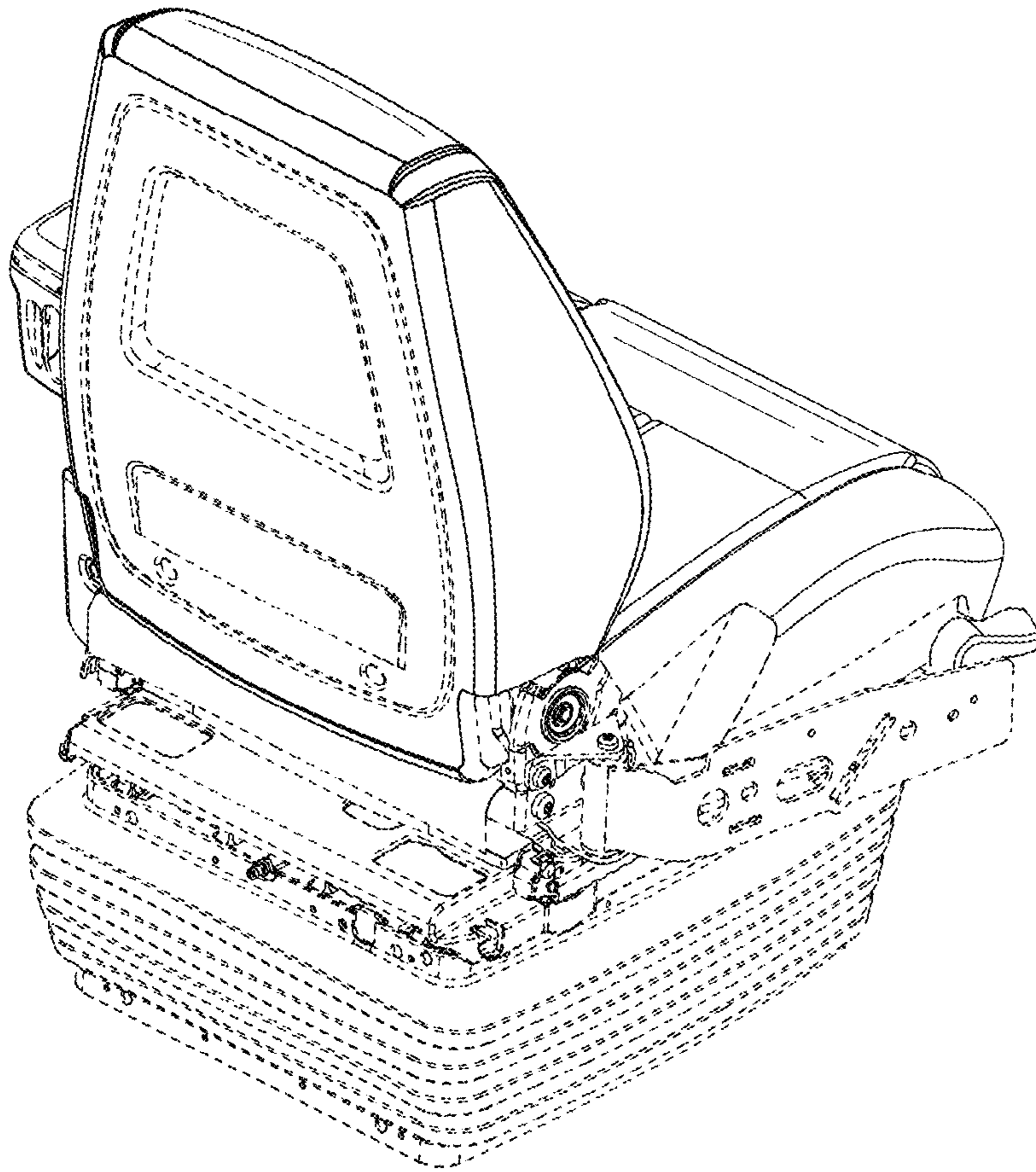
**FIG. 10**



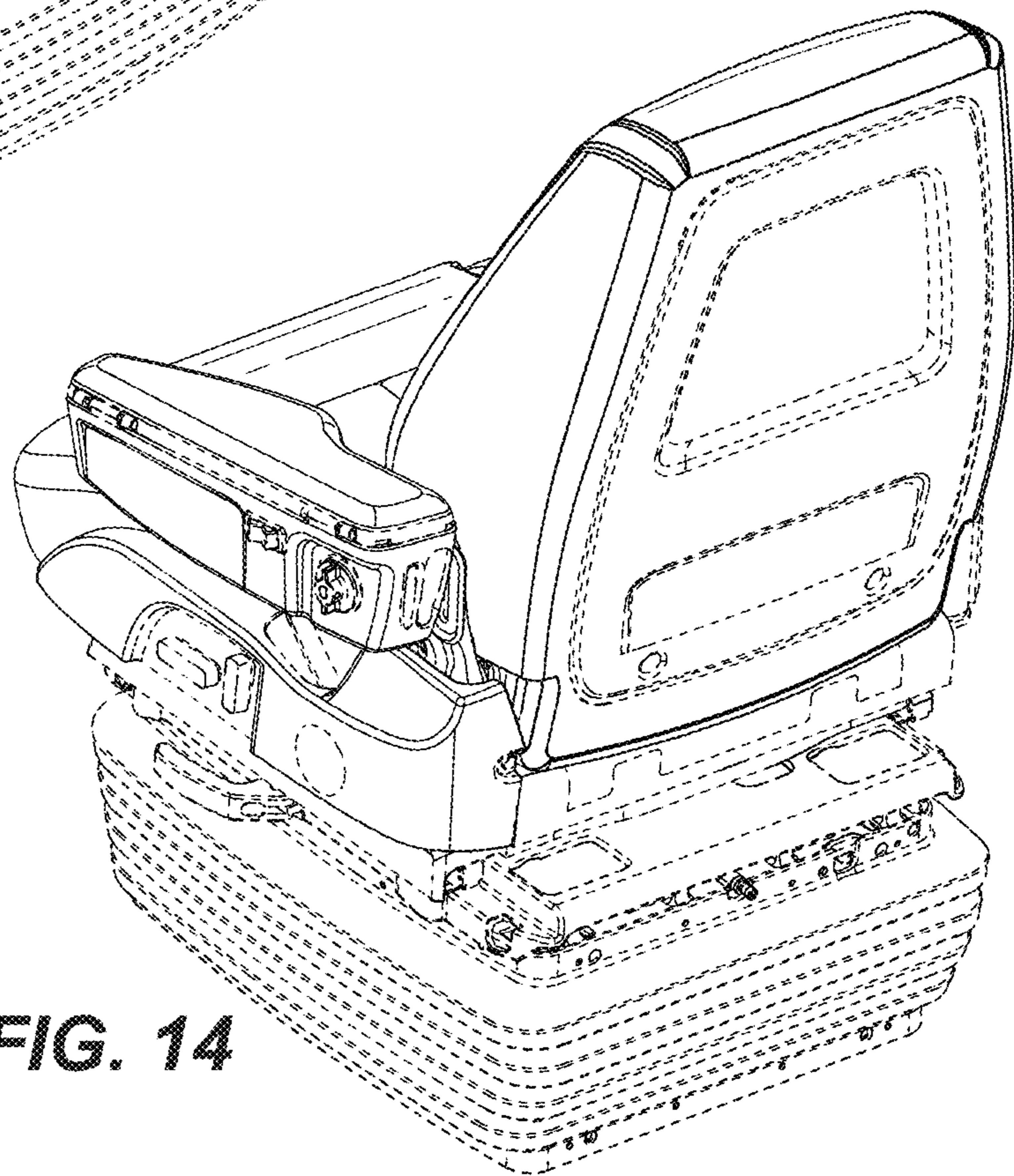
**FIG. 11**



**FIG. 12**

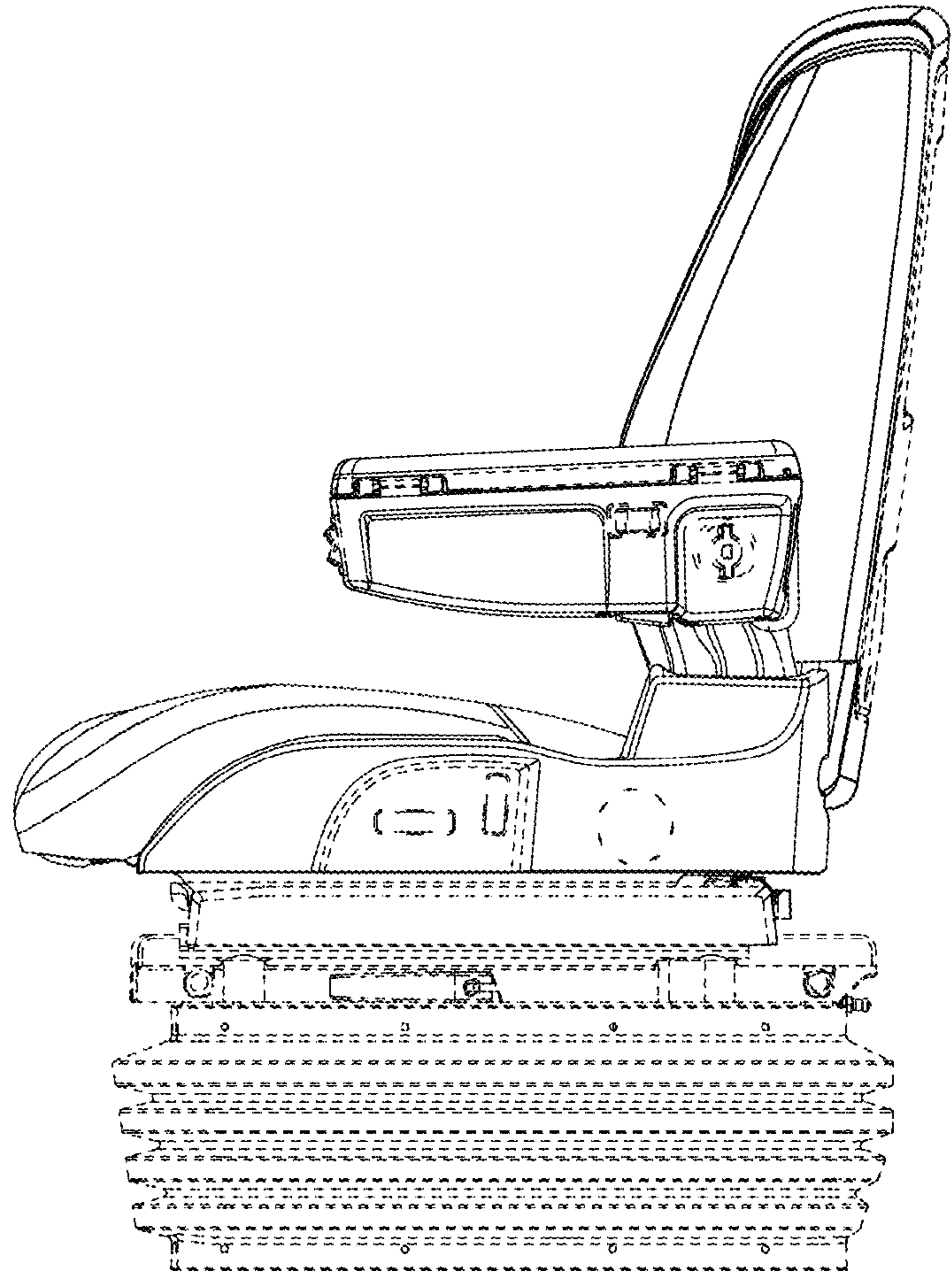


**FIG. 13**

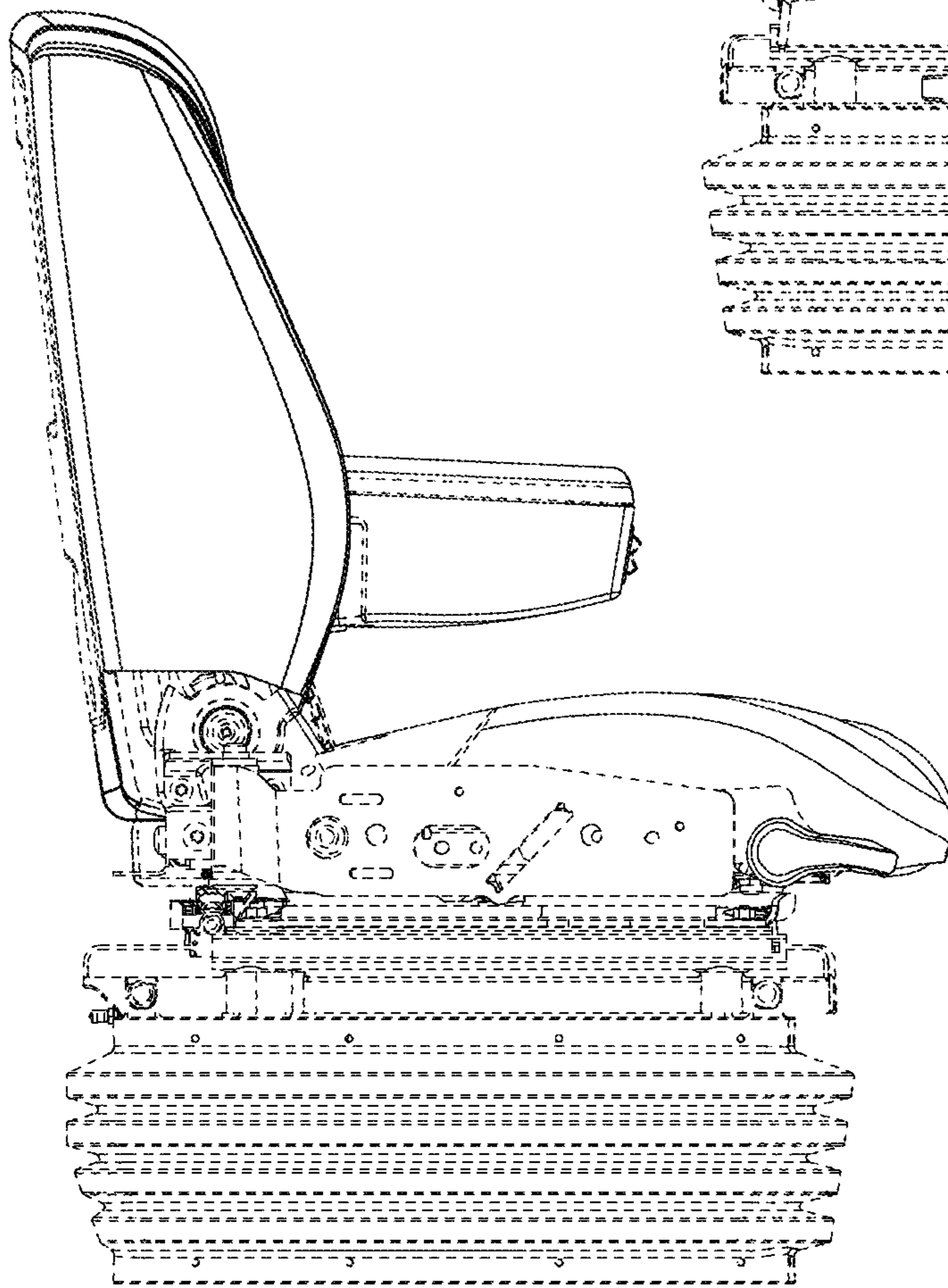


**FIG. 14**





**FIG. 15**



**FIG. 16**

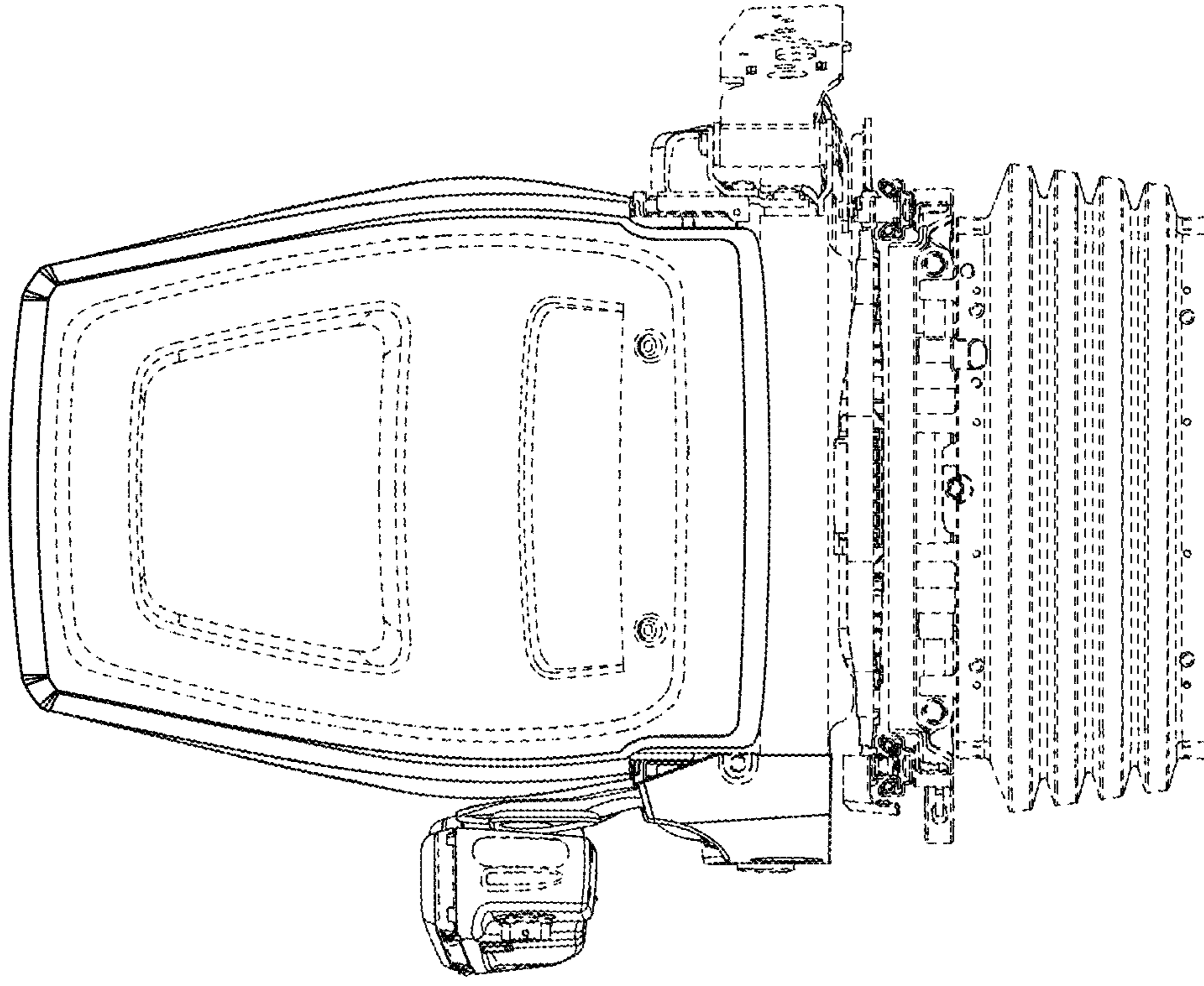


FIG. 17

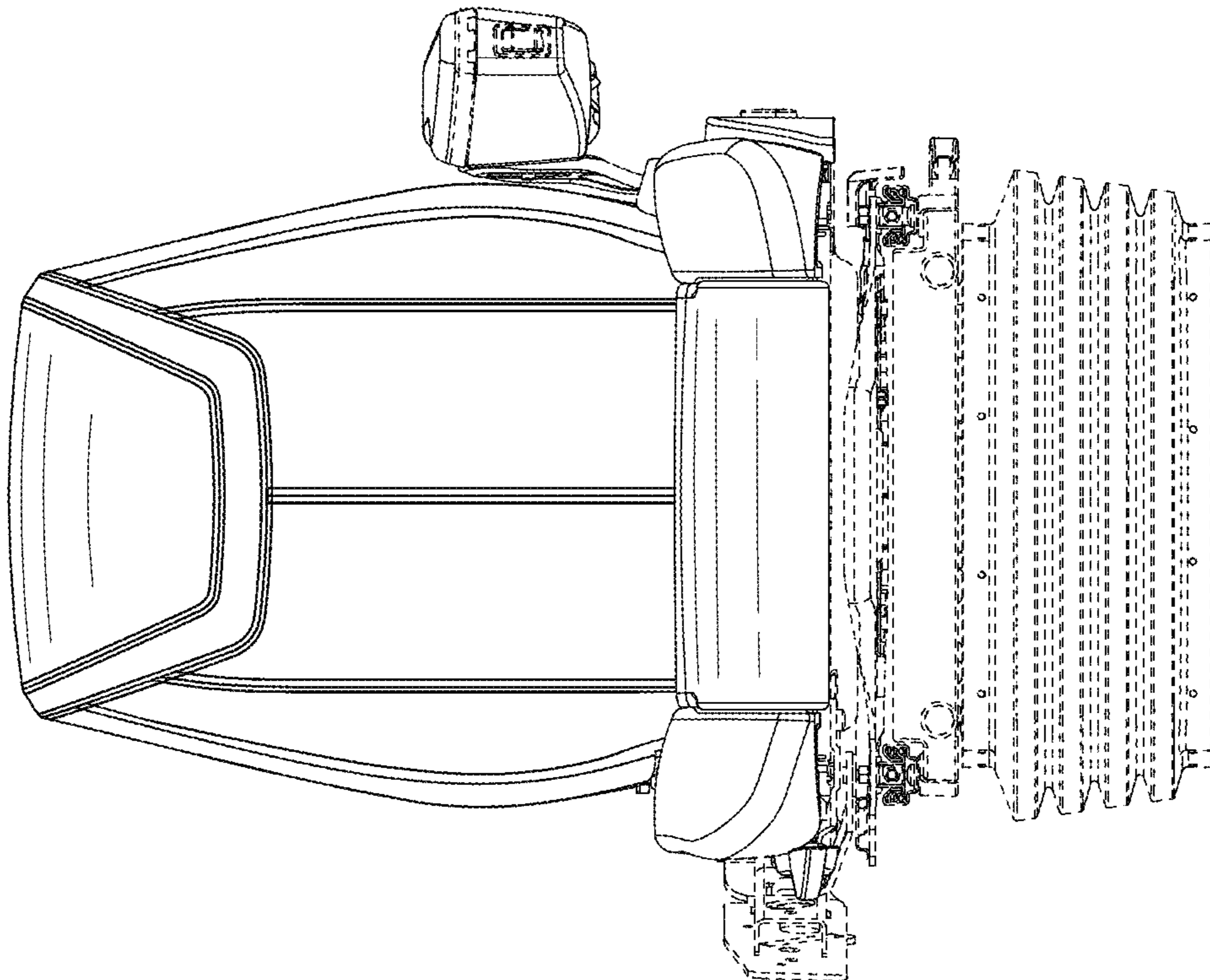
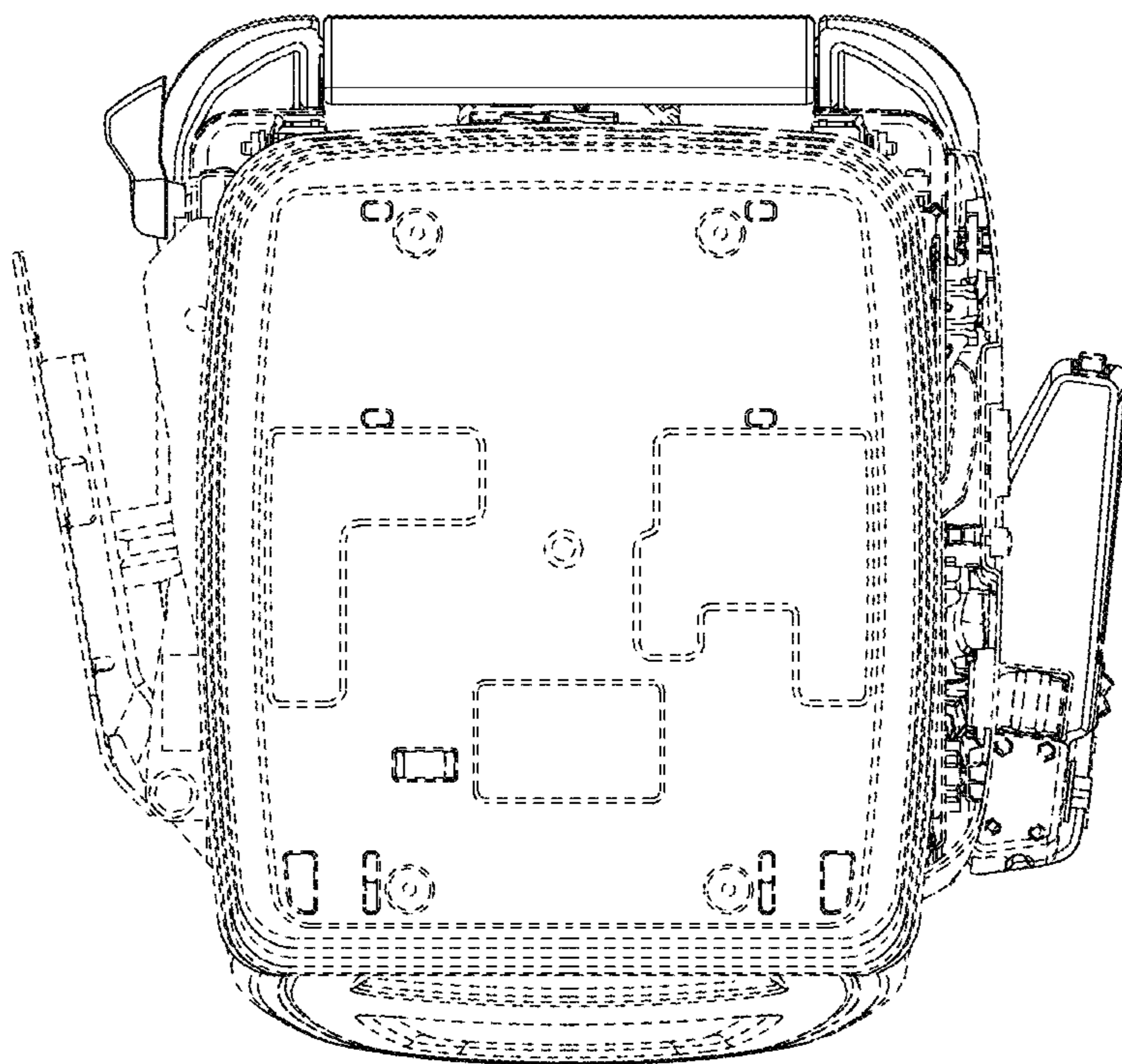


FIG. 18



**FIG. 19**



**FIG. 20**