



US00D936981S

(12) **United States Design Patent**
Kentley-Klay et al.

(10) **Patent No.:** **US D936,981 S**

(45) **Date of Patent:** **** Nov. 30, 2021**

(54) **VEHICLE SEAT**
(71) Applicant: **Zoox, Inc.**, Foster City, CA (US)
(72) Inventors: **Timothy David Kentley-Klay**,
Stanford, CA (US); **Nahuel Elias**
Battaglia, Stanford, CA (US); **Herman**
Francisco Delos Santos, Redwood City,
CA (US); **Richard Luke Osellame**,
Redwood City, CA (US); **Christopher**
John Stoffel, San Carlos, CA (US)

D331,896 S * 12/1992 Pickering B60R 7/02
D12/221
D541,208 S * 4/2007 Krueawong D12/401
D686,423 S * 7/2013 Salzberger A47C 5/12
D6/356
D695,033 S * 12/2013 Salzberger B60N 2/242
D6/356
D725,578 S * 3/2015 Salzberger D12/345
D887,734 S * 6/2020 Wesline B60N 2/242
D6/356
D891,133 S * 7/2020 Klein D6/356
2002/0145024 A1 * 10/2002 Schuster B60R 7/02
224/543

(73) Assignee: **Zoox, Inc.**, Foster City, CA (US)

* cited by examiner

(**) Term: **15 Years**

Primary Examiner — Karen S Acker

(21) Appl. No.: **29/655,122**

(74) *Attorney, Agent, or Firm* — Lee & Hayes, P.C.

(22) Filed: **Jun. 29, 2018**

(51) **LOC (13) Cl.** **06-01**

(52) **U.S. Cl.**
USPC **D6/356**

(58) **Field of Classification Search**
USPC D6/334, 335, 349, 353, 354, 356, 360,
D6/361, 362, 364, 365, 366, 371, 374,
D6/375, 377, 379, 380, 381
CPC A47C 4/02; A47C 4/04; A47C 4/52; A47C
11/00; A47C 15/002; A47C 1/03; A47C
7/002; A47C 1/00
See application file for complete search history.

(57) **CLAIM**

The ornamental design for a vehicle seat, as shown and described.

(56) **References Cited**

DESCRIPTION

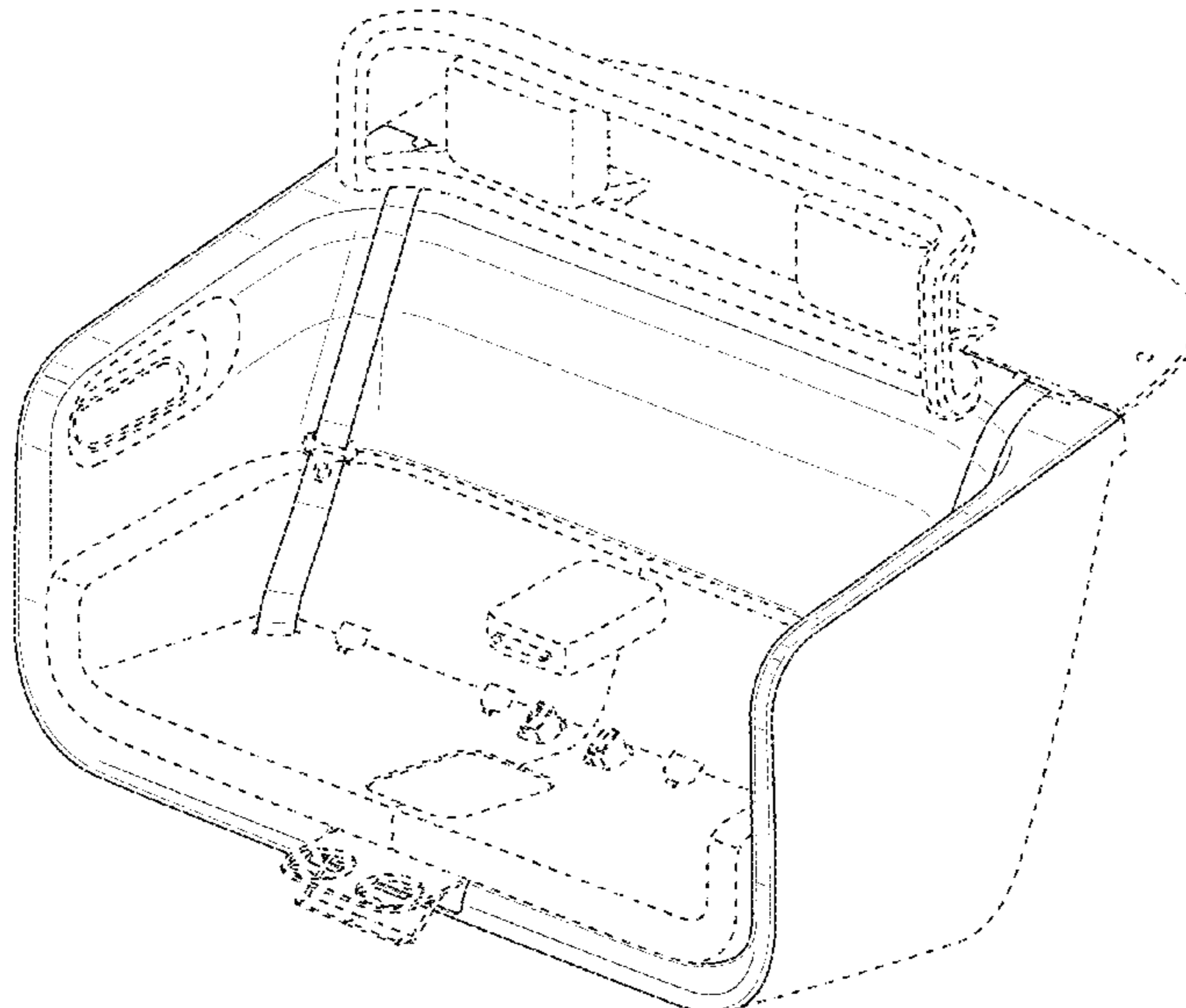
U.S. PATENT DOCUMENTS

D182,063 S * 2/1958 Dean et al. D6/356
3,625,565 A * 12/1971 Barecki B60N 2/242
297/350
3,944,283 A * 3/1976 Molzon B60N 2/242
297/452.39
4,118,061 A * 10/1978 Atkinson A47C 5/12
296/63
D323,479 S * 1/1992 Akashi D12/404

This application is related to U.S. patent application Ser. No. 29/655,062, entitled "Vehicle," filed Jun. 29, 2018, the entire contents of which are incorporated herein by reference. FIG. 1 is a top perspective view of a vehicle seat; FIG. 2 is a bottom perspective view thereof; FIG. 3 is a front view thereof; FIG. 4 is a back view thereof; FIG. 5 is a right-side view thereof; FIG. 6 is a left-side view thereof; FIG. 7 is a top view thereof; and, FIG. 8 is a bottom view thereof.

The dashed broken lines depict portions of the vehicle seat or environment of the vehicle seat that form no part of the claimed design.

1 Claim, 8 Drawing Sheets



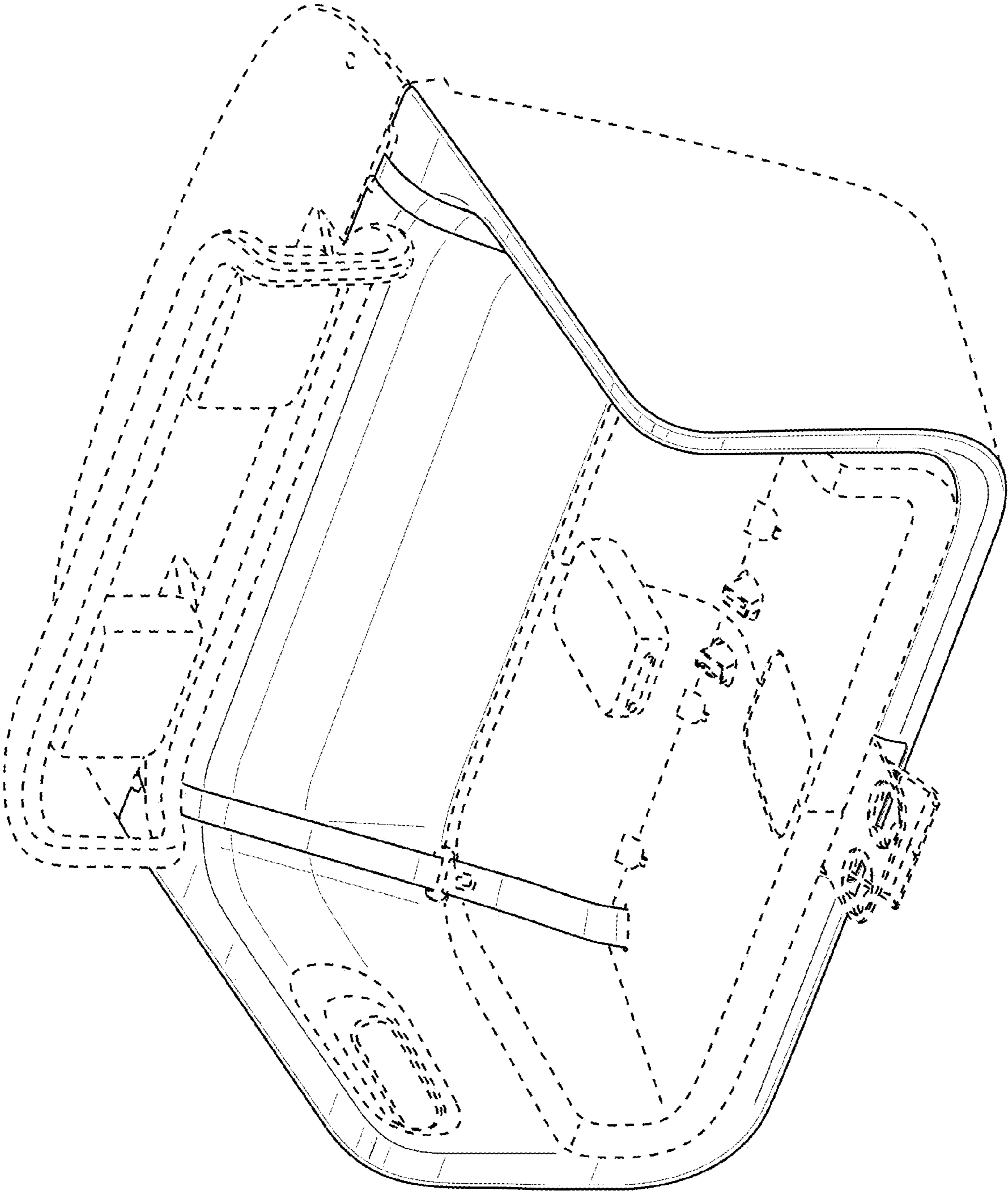


FIG. 1

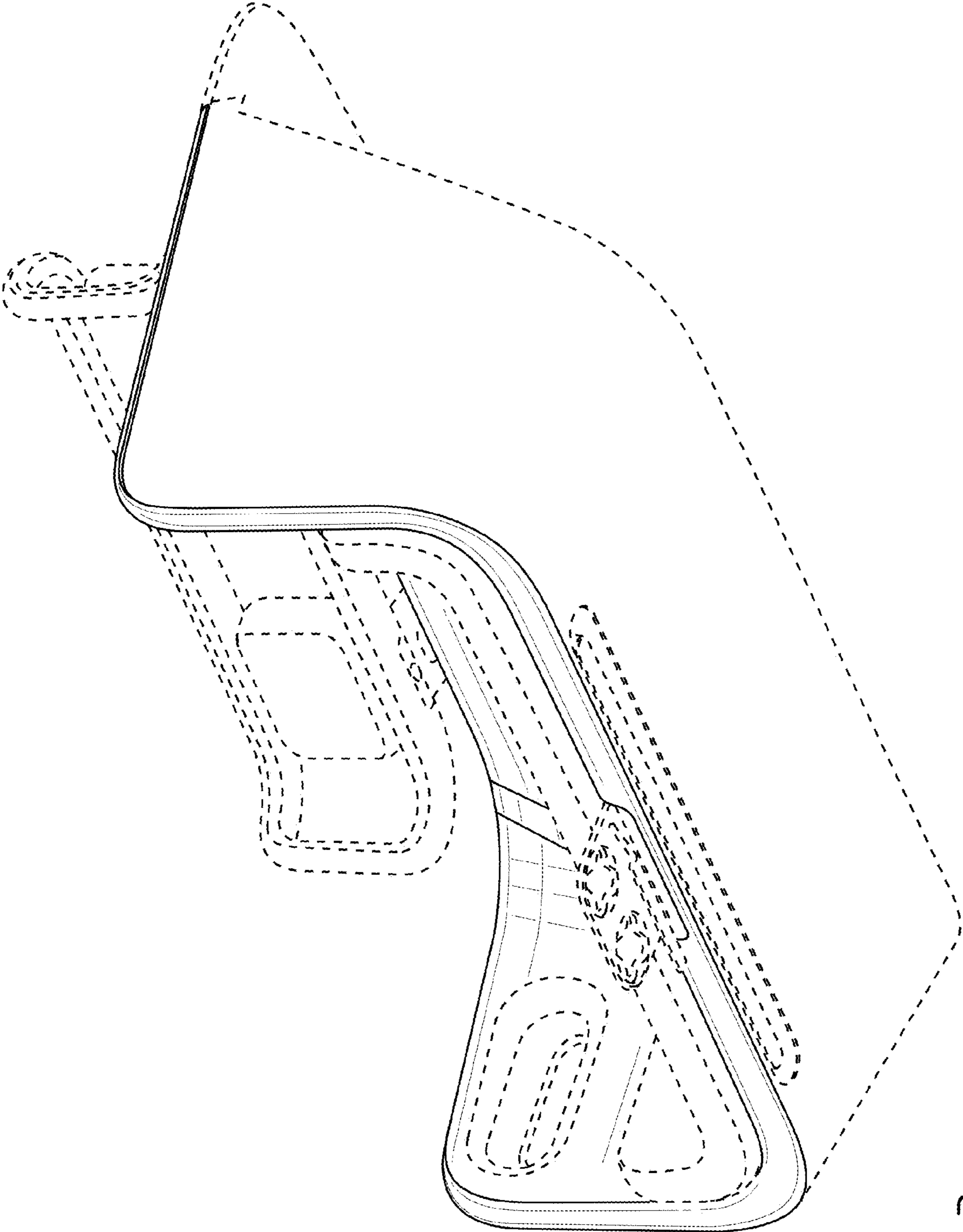


FIG. 2

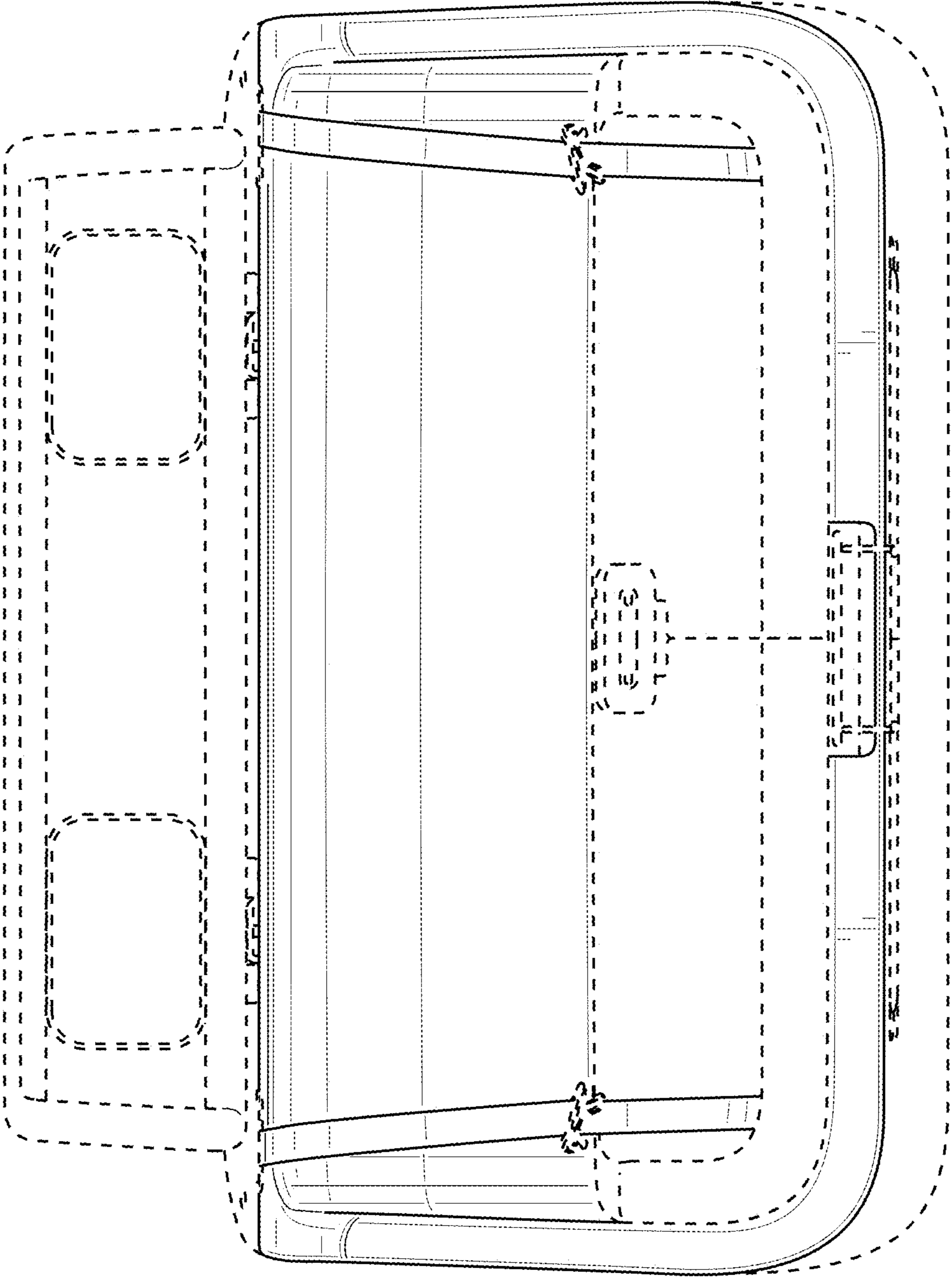


FIG. 3

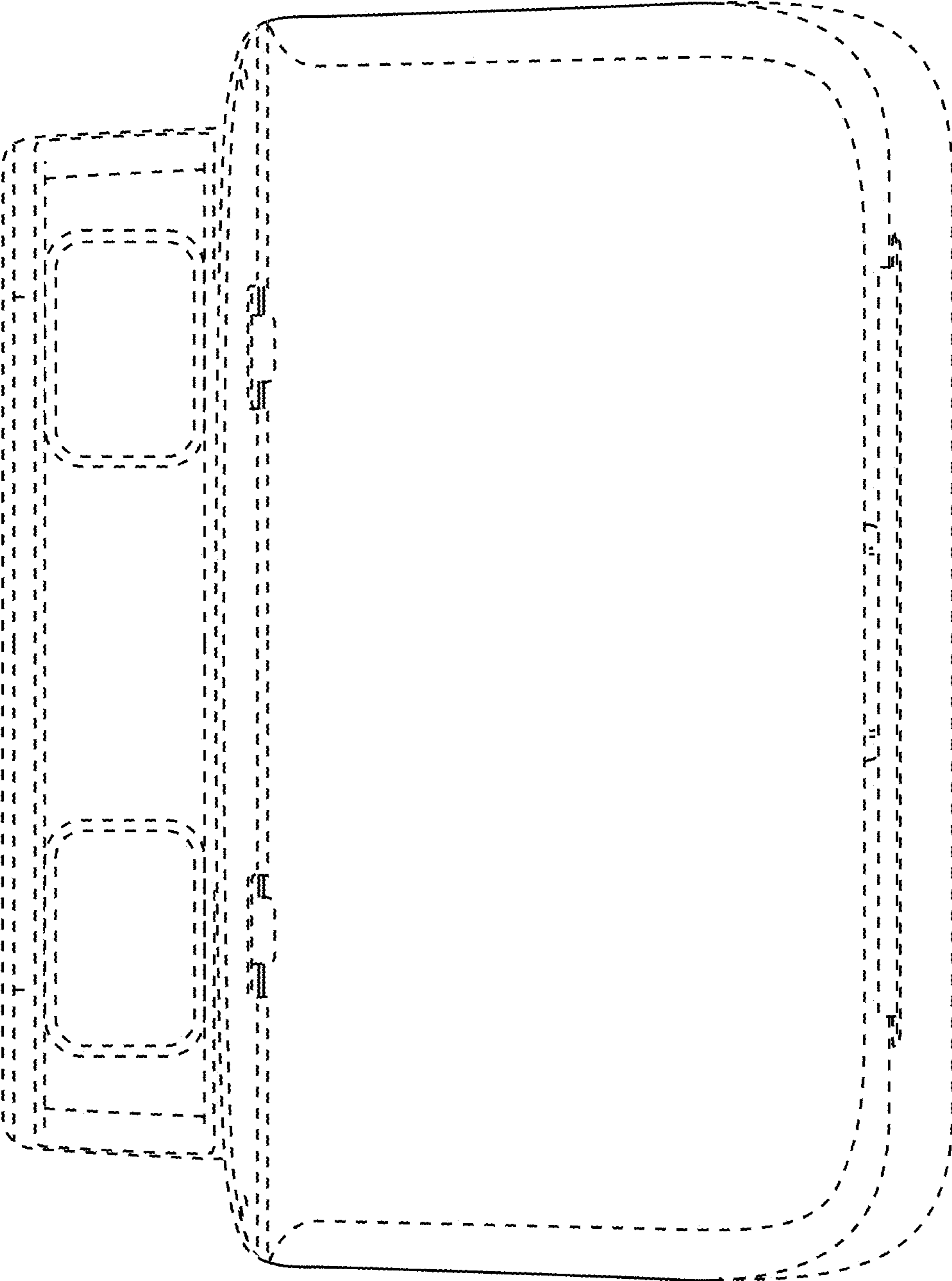


FIG. 4

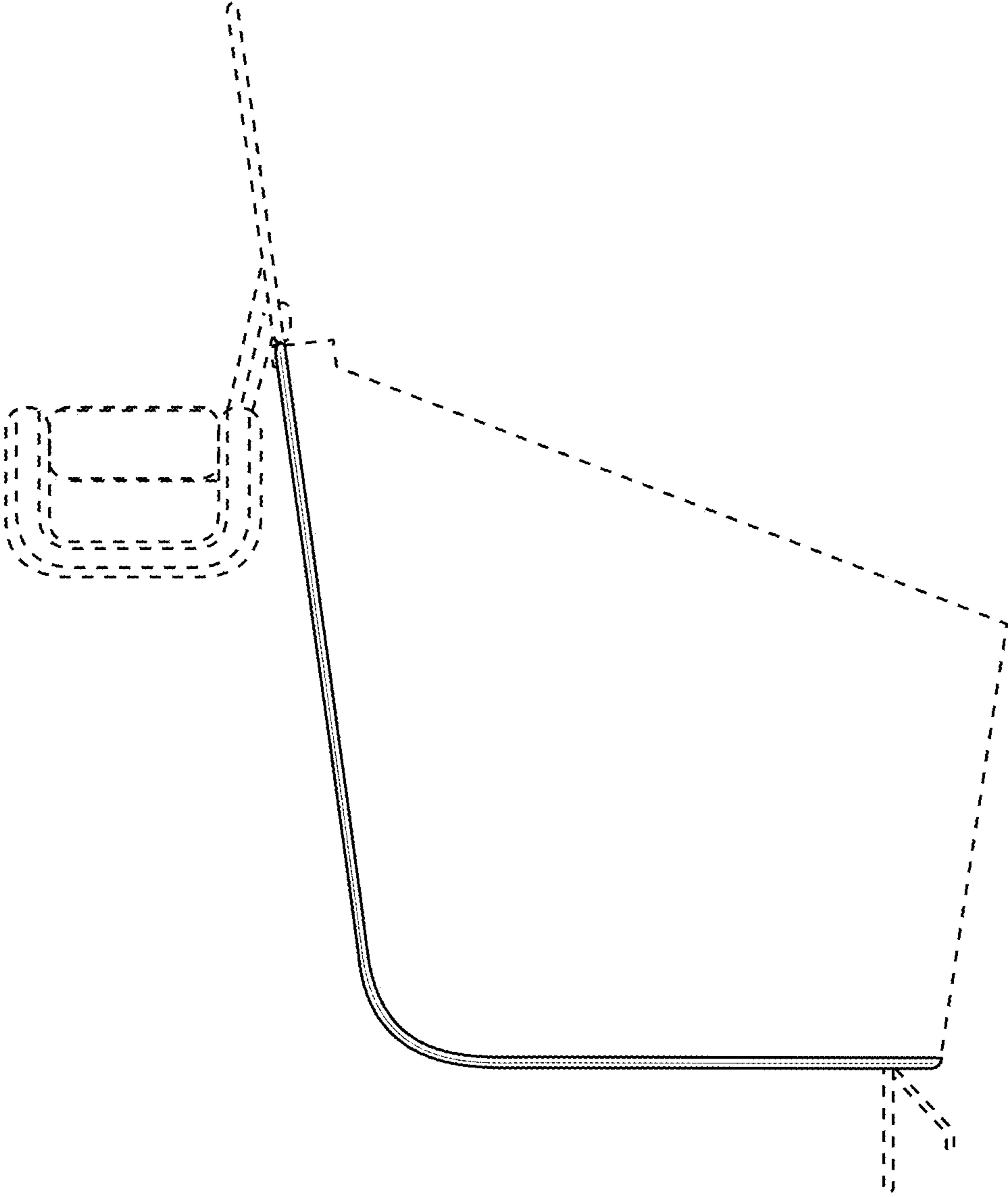


FIG. 5

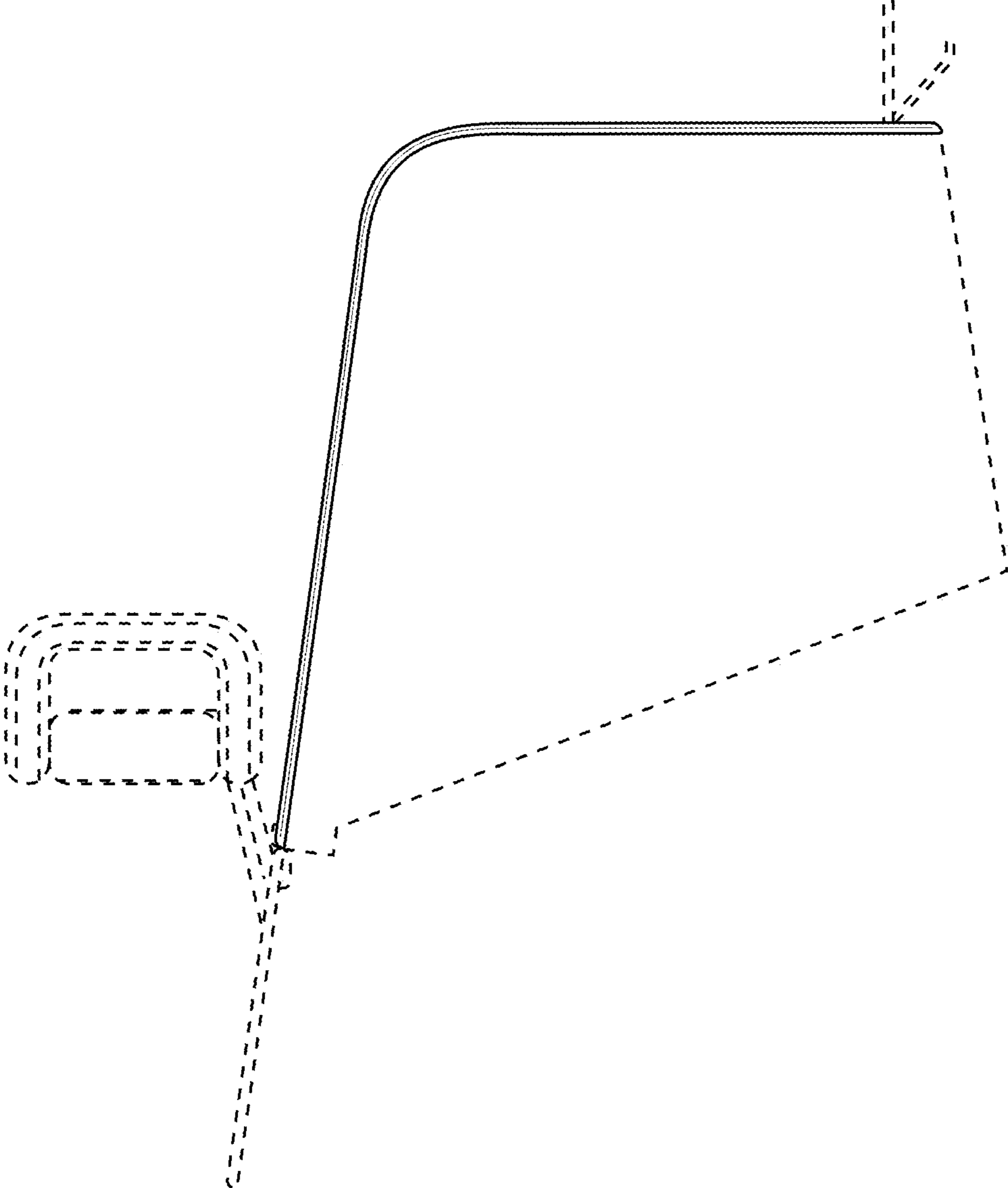


FIG. 6

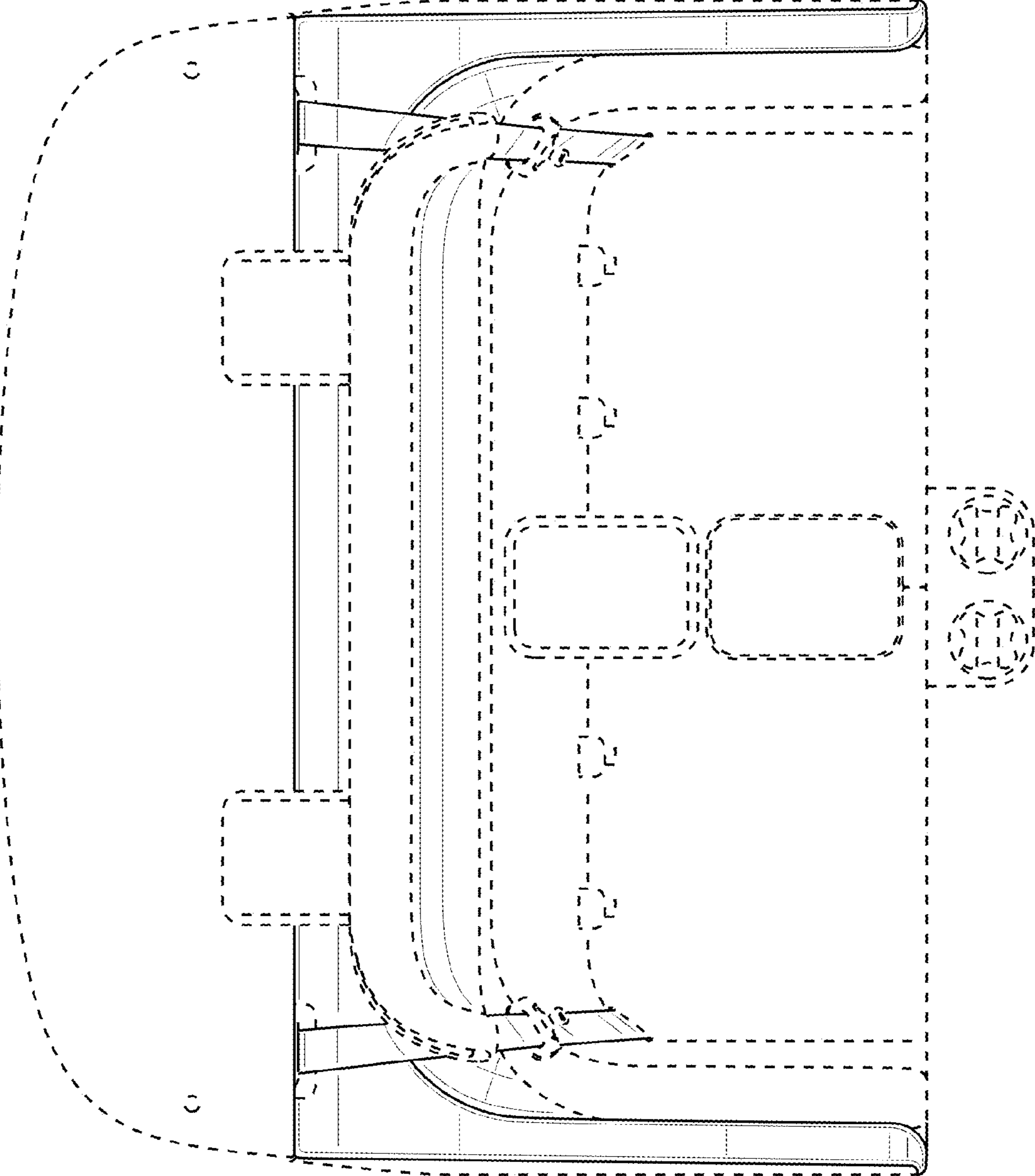


FIG. 7

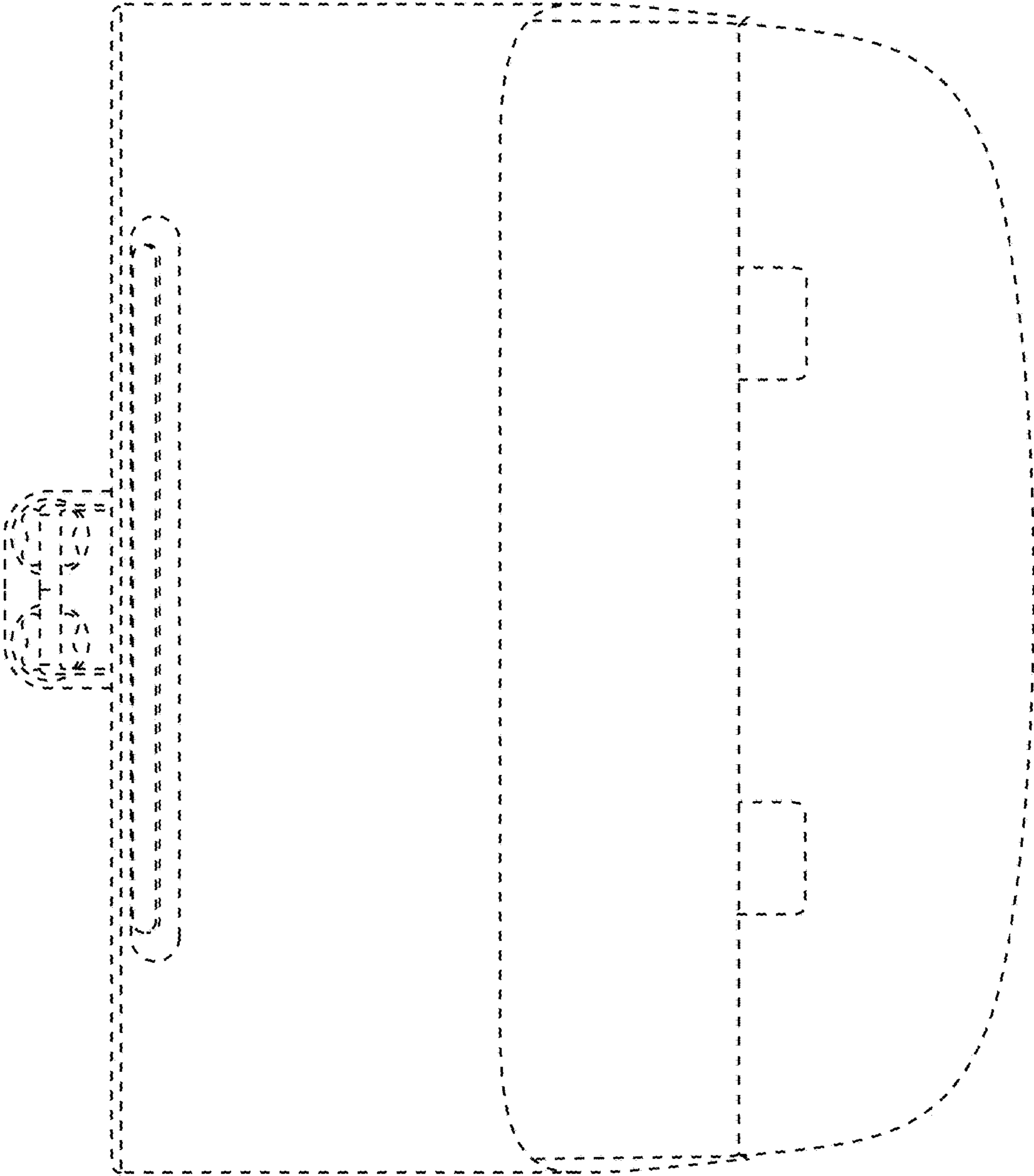


FIG. 8