



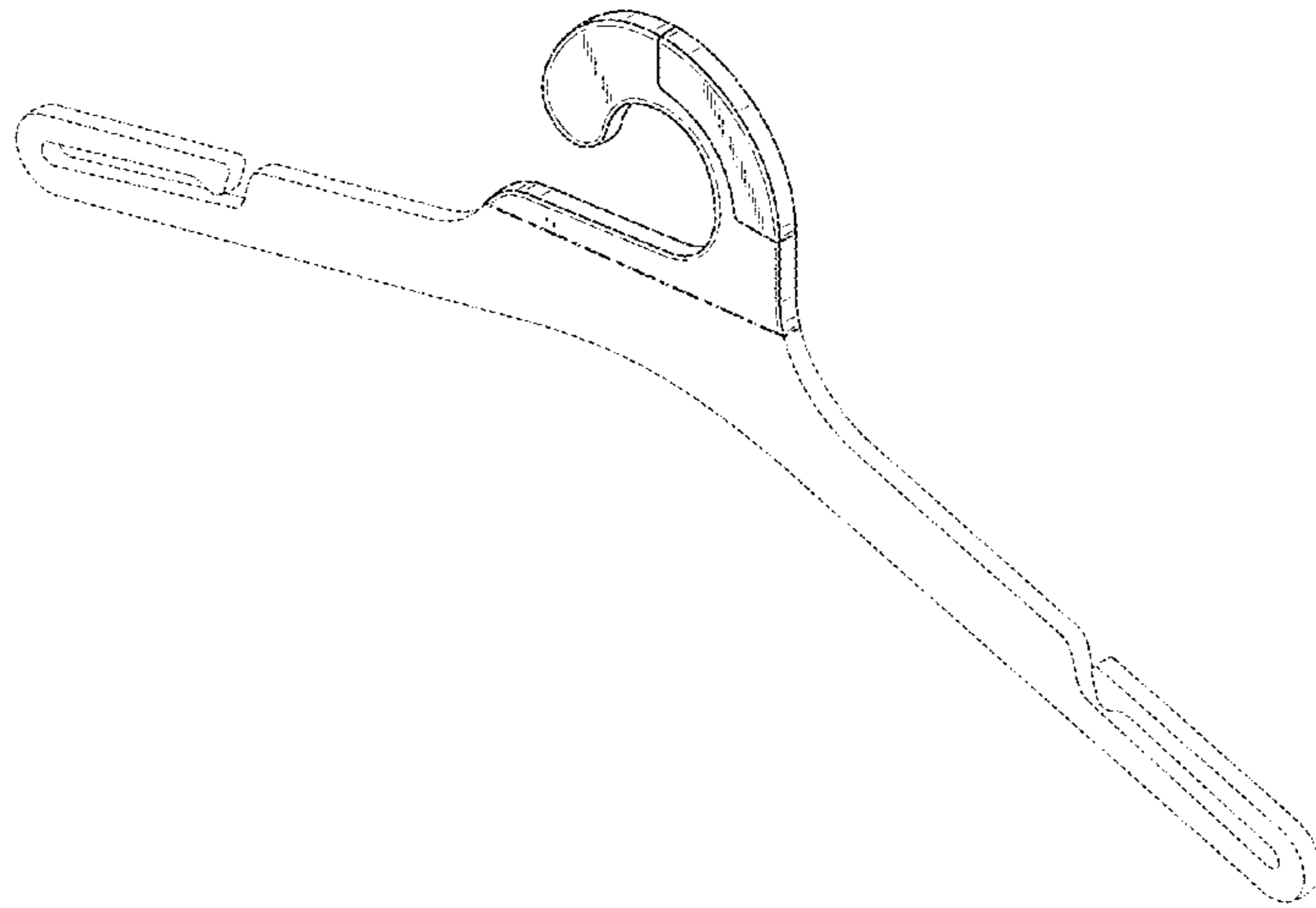
US00D936979S

(12) **United States Design Patent** (10) **Patent No.:** **US D936,979 S**
Losness et al. (45) **Date of Patent:** **** Nov. 30, 2021**

(54) **HANGER**
(71) Applicant: **TARGET BRANDS, INC.**,
Minneapolis, MN (US)
(72) Inventors: **Laurie Losness**, Coon Rapids, MN
(US); **Richard P. Riedel**, Blaine, MN
(US); **Terrence J. Hornsby, Jr.**,
Minneapolis, MN (US)
(73) Assignee: **TARGET BRANDS, INC.**,
Minneapolis, MN (US)
(**) Term: **15 Years**
(21) Appl. No.: **29/712,577**
(22) Filed: **Nov. 8, 2019**
(51) **LOC (13) Cl.** **06-08**
(52) **U.S. Cl.**
USPC **D6/315; D6/328**
(58) **Field of Classification Search**
USPC **D6/315-328**
CPC **A47G 25/26; A47G 25/28; A47G 25/30;**
A47G 25/32; A47G 25/34; A47G 25/36;
A47G 25/38; A47G 25/442; A47G
25/625; A47G 25/743; A47G 25/1407;
A47G 25/1457; A47G 2025/1492; A47F
7/18; A47F 7/19; A47F 7/22
See application file for complete search history.

3,085,724 A 4/1963 Wilde
D196,214 S 9/1963 Warmath, III
D196,623 S 10/1963 Warmath
D205,113 S 6/1966 Coon
D206,303 S 11/1966 Louik
D210,259 S 2/1968 Holtzman
3,401,855 A 9/1968 Balzer et al.
3,559,852 A 2/1971 Green
D223,230 S * 4/1972 Kamins et al. D8/367
3,731,857 A 5/1973 Haggar
3,949,914 A 4/1976 Ostroll
D245,748 S 9/1977 Ostroll
4,063,670 A 12/1977 Faarbech
D264,912 S 6/1982 Bliss et al.
D271,552 S 11/1983 Samuels
4,450,639 A 5/1984 Duester
4,517,709 A 5/1985 Arentsen et al.
D282,982 S 3/1986 Kodet
4,623,079 A 11/1986 Tendrup et al.
4,669,642 A 6/1987 Nicholas
4,717,053 A 1/1988 Wang
4,828,155 A 5/1989 Louw
D302,214 S 7/1989 Wilson
D303,325 S 9/1989 Marshall
4,871,098 A 10/1989 Bredeweg et al.
4,886,195 A 12/1989 Blanchard
4,892,237 A 1/1990 Ester et al.
D305,834 S 2/1990 DeVito
D305,835 S 2/1990 DeVito
4,997,114 A 3/1991 Petrou
5,029,739 A 7/1991 Blanchard et al.
5,065,916 A 11/1991 Fildan
5,069,373 A 12/1991 Kolton et al.
5,071,045 A 12/1991 Hollis
5,074,445 A 12/1991 Chen
5,074,447 A 12/1991 Kolton et al.
5,083,691 A 1/1992 Handrick
5,092,502 A 3/1992 Kolton et al.
5,096,101 A 3/1992 Norman et al.
D327,579 S 7/1992 Fildan
5,129,557 A 7/1992 Kolton et al.
5,135,141 A 8/1992 Harmer et al.
D335,157 S 4/1993 Rahbek
5,199,608 A 4/1993 Zuckerman
5,236,109 A 8/1993 Zuckerman
5,238,159 A 8/1993 Zuckerman
5,305,933 A 4/1994 Zuckerman
5,361,949 A 11/1994 Petrou
5,377,884 A 1/1995 Zuckerman
5,383,583 A 1/1995 Zuckerman
5,388,024 A 2/1995 Galvagni
5,400,932 A 3/1995 Hollis
5,407,109 A 4/1995 Zuckerman

(56) **References Cited**
U.S. PATENT DOCUMENTS
890,023 A 6/1908 Dike
1,417,921 A 5/1922 Kitchingman
2,171,680 A 9/1939 Baugh
2,419,723 A 4/1947 Mack, Sr.
2,514,820 A 7/1950 Wing
2,596,745 A 5/1952 Waldman
2,617,565 A * 11/1952 Suydam A47G 25/36
223/87
2,643,037 A 6/1953 Clover
2,723,787 A 11/1955 Bransdorf
2,912,149 A 11/1959 Stuard
D192,280 S 2/1962 Zuckerman



US D936,979 S

5,441,182 A	8/1995	Sullivan		D507,419 S	7/2005	Gouldson	
5,449,099 A	9/1995	Blanchard		6,915,931 B2	7/2005	Gouldson et al.	
5,469,995 A	11/1995	Bredeweg et al.		6,932,251 B2	8/2005	Kolton et al.	
5,485,943 A	1/1996	Zuckerman		D509,073 S	9/2005	Leung et al.	
5,503,310 A	4/1996	Zuckerman et al.		6,948,269 B2	9/2005	Wang	
5,524,801 A	6/1996	Dooley et al.		6,978,917 B2	12/2005	Giustini et al.	
5,573,151 A	11/1996	Fildan		D519,287 S	4/2006	Gouldson	
5,586,697 A	12/1996	Johansson		D523,741 S	6/2006	Pluchino et al.	
5,590,822 A	1/1997	Zuckerman		D524,150 S	7/2006	Stein et al.	
5,597,100 A	1/1997	Blitz		D527,194 S	8/2006	Yau	
D377,717 S	2/1997	Gouldson		D533,362 S	12/2006	Giampavolo	
5,603,437 A	2/1997	Zuckerman		7,156,271 B2	1/2007	Louw	
5,611,469 A	3/1997	Eiley et al.		7,178,705 B1	2/2007	Sutton	
5,613,629 A	3/1997	Zuckerman		7,198,182 B1 *	4/2007	Schulman	A47G 25/1442
5,632,423 A	5/1997	Louw					223/87
5,641,100 A	6/1997	Mitchell et al.		7,201,297 B1	4/2007	Baziuk	
5,642,840 A	7/1997	Abdi		D547,557 S	7/2007	Wu	
5,664,709 A	9/1997	Graham		7,240,813 B1	7/2007	Goldman	
5,683,018 A	11/1997	Sullivan et al.		7,246,729 B2	7/2007	Harvey et al.	
5,775,553 A	7/1998	Marshall et al.		7,278,558 B1	10/2007	Sutton et al.	
5,778,575 A	7/1998	Deupree et al.		7,278,559 B1	10/2007	Sutton et al.	
5,785,216 A	7/1998	Gouldson et al.		D554,378 S	11/2007	Niederer	
5,794,363 A	8/1998	Marshall et al.		7,303,101 B2	12/2007	Goldman	
5,806,728 A	9/1998	Frosstrom et al.		D558,989 S	1/2008	Gouldson	
5,819,995 A	10/1998	Zuckerman		D560,373 S	1/2008	Gouldson	
5,868,289 A *	2/1999	Lee	A47G 25/36	7,318,540 B1	1/2008	Sutton et al.	
			223/87	D569,632 S	5/2008	Singleton	
5,944,237 A	8/1999	Gouldson		7,380,359 B2	6/2008	Mainetti	
D414,044 S	9/1999	Choi et al.		D579,215 S *	10/2008	Gandur	D6/328
5,992,714 A	11/1999	Morgan		7,464,842 B2	12/2008	Gouldson	
D418,171 S *	12/1999	Robinson	D20/22	7,516,875 B2	4/2009	Gouldson	
6,019,260 A	2/2000	Gouldson		D597,750 S	8/2009	Gouldson	
6,029,868 A	2/2000	Willinger et al.		D605,417 S	12/2009	Warren et al.	
6,041,983 A	3/2000	Sullivan et al.		D605,418 S	12/2009	Niccol	
6,041,984 A	3/2000	Gouldson		D606,764 S	12/2009	Warren	
6,053,377 A	4/2000	Beverly		D606,765 S	12/2009	Warren	
6,065,652 A	5/2000	Dooling-Sherman		D606,766 S	12/2009	Warren	
6,079,598 A	6/2000	Tasi		D606,767 S	12/2009	Warren	
6,105,835 A	8/2000	Hatakeyama		D607,216 S	1/2010	Niccol	
6,142,347 A	11/2000	Kolton et al.		D607,217 S	1/2010	Warren	
6,145,713 A	11/2000	Zuckerman		D607,218 S	1/2010	Warren	
6,158,635 A	12/2000	Batts		D607,219 S	1/2010	Goldman	
6,170,679 B1	1/2001	Frye et al.		7,641,083 B2	1/2010	Goldman et al.	
6,173,872 B1	1/2001	Cohen		7,708,174 B1	5/2010	Ho	
6,189,746 B1	2/2001	Gouldson		7,717,308 B2	5/2010	Goldman	
6,196,430 B1	3/2001	Gouldson		D627,171 S	11/2010	Niccol	
6,209,241 B1	4/2001	Louw		D627,980 S	11/2010	Chan	
6,209,763 B1	4/2001	Rahmey		7,841,495 B2	11/2010	Gouldson	
6,250,523 B1	6/2001	Louw		D628,818 S	12/2010	Warren	
D449,937 S	11/2001	Zuckerman		D628,820 S	12/2010	Warren	
6,338,426 B1	1/2002	Okiyama		D628,821 S	12/2010	Warren	
6,357,638 B2	3/2002	Gouldson		D628,822 S	12/2010	Warren	
6,378,744 B2	4/2002	Olk et al.		D632,097 S	2/2011	Chan	
6,382,478 B2	5/2002	Gouldson et al.		D634,939 S	3/2011	Warren	
6,422,437 B2	7/2002	Gouldson et al.		7,896,204 B2	3/2011	Gouldson	
6,435,387 B1	8/2002	Gouldson et al.		7,905,376 B2	3/2011	Gouldson	
6,457,615 B1	10/2002	Lam		7,922,047 B2	4/2011	Gouldson	
6,467,658 B1	10/2002	Olk et al.		7,938,300 B2	5/2011	Diamond et al.	
6,467,659 B2	10/2002	Gouldson		7,980,434 B2	7/2011	Gouldson	
6,499,633 B1	12/2002	Pogmore		D647,709 S	11/2011	Anderson et al.	
6,499,634 B2	12/2002	Olk et al.		D648,140 S *	11/2011	Ferraro	D6/315
6,516,980 B1	2/2003	Goldman		D648,142 S	11/2011	Ferraro et al.	
6,564,980 B2	5/2003	Gouldson et al.		D653,042 S	1/2012	Gouldson	
6,588,634 B2	7/2003	Gouldson et al.		D653,861 S	2/2012	Sullivan et al.	
6,609,640 B1	8/2003	Bokmiller		8,113,392 B2	2/2012	Gouldson	
6,622,897 B2	9/2003	Bokmiller et al.		8,113,394 B2	2/2012	Ho	
6,644,520 B2	11/2003	Lam		8,141,756 B2	3/2012	Mainetti	
6,675,997 B1	1/2004	Gouldson et al.		8,225,538 B2	7/2012	Warren et al.	
6,688,503 B2	2/2004	Viazanko et al.		8,267,287 B2	9/2012	Gouldson	
6,705,496 B2	3/2004	Marshall et al.		8,302,826 B2	11/2012	Gouldson	
6,715,650 B2	4/2004	Gouldson		D673,782 S	1/2013	Presser	
6,726,067 B2	4/2004	Louw		D673,783 S	1/2013	Presser	
D498,936 S	11/2004	Gouldson		D680,759 S	4/2013	Jones	
D500,412 S	1/2005	Gouldson		8,418,894 B2	4/2013	Gouldson	
6,865,832 B1	3/2005	Goldman		D688,471 S	8/2013	Cohen	
6,892,910 B2	5/2005	Capuano et al.		D711,658 S *	8/2014	Pelton	D6/315
D506,078 S	6/2005	Leung et al.		D711,659 S	8/2014	Gouldson	
D506,620 S	6/2005	Leung et al.		D712,166 S	9/2014	Gouldson	
D507,120 S	7/2005	Leung et al.		D716,062 S	10/2014	Gouldson	

D716,563 S 11/2014 Lee
 8,991,666 B2 3/2015 Mazyck
 9,027,804 B2 5/2015 Barre et al.
 9,107,544 B2* 8/2015 Cittadino A47H 13/02
 9,282,839 B2 3/2016 Rakhimov et al.
 D755,529 S 5/2016 Schlang
 D759,392 S 6/2016 Yau
 D761,028 S 7/2016 Choy
 9,386,873 B2 7/2016 Gouldson
 9,510,702 B2 12/2016 Yau
 D780,466 S 3/2017 Jones
 D806,410 S 1/2018 Denby et al.
 D811,755 S 3/2018 Taylor
 D814,199 S* 4/2018 Ho D6/328
 D815,845 S 4/2018 Clark et al.
 D816,351 S 5/2018 Clark et al.
 D826,582 S 8/2018 Clark et al.
 D826,583 S 8/2018 Ho
 D828,696 S 9/2018 Ho
 D831,986 S 10/2018 Clark et al.
 D831,987 S 10/2018 Clark et al.
 D832,600 S 11/2018 Clark et al.
 D834,338 S 11/2018 Taylor et al.
 D839,613 S 2/2019 Martell et al.
 D839,614 S 2/2019 Ho
 D843,740 S 3/2019 Peterson et al.
 D843,741 S 3/2019 Clark et al.
 D843,742 S 3/2019 Clark et al.
 D846,893 S 4/2019 Clark et al.
 D846,894 S 4/2019 Peterson et al.
 D850,126 S 6/2019 Peterson et al.
 D850,801 S 6/2019 Kariker
 D850,802 S 6/2019 Kariker
 D852,521 S 7/2019 Clark et al.
 D853,137 S 7/2019 Martell et al.
 D859,012 S 9/2019 Martell et al.
 D861,357 S 10/2019 Clark et al.
 D863,792 S* 10/2019 Ho D6/318
 D866,200 S* 11/2019 Losness D6/315
 10,631,677 B2* 4/2020 Clark A47G 25/1421
 D921,374 S* 6/2021 Jones D6/315
 D929,134 S* 8/2021 Losness D6/315
 D929,753 S* 9/2021 Losness D6/326
 2001/0011663 A1 8/2001 Olk et al.
 2001/0015361 A1 8/2001 Gouldson
 2001/0016994 A1 8/2001 Gouldson et al.
 2002/0108975 A1 8/2002 Hunt et al.
 2002/0113100 A1 8/2002 Gouldson
 2002/0158091 A1* 10/2002 Matkovich A47G 25/48
 223/93
 2002/0184799 A1 12/2002 Chou
 2003/0015558 A1 1/2003 Gouldson et al.
 2003/0141374 A1 7/2003 Matkovich
 2003/0173381 A1 9/2003 Louw
 2003/0178451 A1 9/2003 Giustini et al.
 2003/0209577 A1 11/2003 Gouldson et al.
 2003/0222107 A1 12/2003 Stein et al.
 2004/0173646 A1 9/2004 Louw
 2004/0188475 A1 9/2004 Gouldson
 2004/0206787 A1 10/2004 Kolton et al.
 2004/0211796 A1 10/2004 Misumi
 2004/0222252 A1 11/2004 Gouldson et al.
 2004/0256425 A1 12/2004 Barre et al.
 2005/0067447 A1 3/2005 Louw
 2006/0011673 A1 1/2006 Gouldson
 2006/0049222 A1 3/2006 Pluchino et al.
 2006/0208014 A1 9/2006 Gouldson et al.
 2006/0208015 A1 9/2006 Gouldson et al.
 2006/0213938 A1 9/2006 Gouldson
 2007/0000957 A1 1/2007 Stein et al.
 2007/0062984 A1 3/2007 Louw
 2007/0084889 A1 4/2007 Fleming
 2007/0090134 A1 4/2007 Wu
 2007/0145084 A1 6/2007 Goldman
 2007/0151997 A1 7/2007 Chen
 2007/0158373 A1 7/2007 Yau
 2007/0158374 A1 7/2007 Chan
 2007/0158375 A1 7/2007 Yau
 2007/0175932 A1 8/2007 Wu

2007/0187439 A1 8/2007 Louw
 2007/0199963 A1 8/2007 Gouldson
 2007/0246490 A1 10/2007 Gouldson
 2007/0257071 A1 11/2007 Gouldson
 2007/0272716 A1 11/2007 Wu
 2007/0278259 A1 12/2007 Wong
 2008/0011791 A1 1/2008 Wu
 2008/0011792 A1 1/2008 Gouldson et al.
 2008/0035685 A1 2/2008 Matkovich et al.
 2008/0296324 A1 12/2008 Zhao et al.
 2009/0045232 A1 2/2009 Gray
 2009/0078726 A1 3/2009 Boulet et al.
 2009/0120973 A1 5/2009 Ho
 2009/0127298 A1 5/2009 Sprovieri
 2009/0145937 A1 6/2009 Gouldson
 2009/0159621 A1 6/2009 Gouldson
 2009/0212080 A1 8/2009 Goldman
 2009/0294492 A1 12/2009 Goldman et al.
 2009/0294493 A1 12/2009 Ho et al.
 2009/0294494 A1 12/2009 Ho
 2010/0019002 A1 1/2010 Gouldson
 2010/0019005 A1 1/2010 Gouldson
 2010/0025440 A1 2/2010 Gouldson
 2010/0051655 A1 3/2010 Gouldson
 2010/0193553 A1 8/2010 Gouldson
 2010/0252588 A1 10/2010 Gouldson et al.
 2010/0270338 A1 10/2010 Mainetti
 2011/0042423 A1 2/2011 Gouldson
 2011/0057001 A1 3/2011 Louw
 2011/0101044 A1 5/2011 Chan
 2011/0284597 A1 11/2011 Kaleta et al.
 2012/0067929 A1 3/2012 Gouldson
 2012/0097716 A1 4/2012 Gouldson
 2012/0181309 A1 7/2012 Mainetti
 2012/0292352 A1 11/2012 Gouldson
 2015/0060500 A1 3/2015 Yau
 2015/0182055 A1* 7/2015 Gouldson A47G 25/1435
 223/85
 2017/0000278 A1 1/2017 Hansen et al.

FOREIGN PATENT DOCUMENTS

DE 825879 B 12/1951
 FR 2351633 A1 12/1977
 GB 512467 A 9/1939
 GB 804384 A 11/1958

OTHER PUBLICATIONS

U.S. Appl. No. 29/698,181, Martell, Timothy James, filed Jul. 15, 2019 (4 pages).

“Velvet Flocked Hanger”, printed from www.dhgate.com/product/flocked-hanger-with-good-quality-druable/138480211.html, publicly available at least as early as Jan. 18, 2017 (3 pages).

* cited by examiner

Primary Examiner — Lauren R Calve
 (74) Attorney, Agent, or Firm — JoAnn M. Seaton;
 Griffiths & Seaton PLLC

(57) CLAIM

The ornamental design for a hanger, as shown and described.

DESCRIPTION

FIG. 1 is a front, top perspective view of a hanger showing a first embodiment of our new design;
 FIG. 2 is a front view thereof;
 FIG. 3 is a rear view thereof;
 FIG. 4 is a right side view thereof;
 FIG. 5 is a left side view thereof;
 FIG. 6 is a top view thereof; and

FIG. 7 is a bottom view thereof.
FIG. 8 is a front, top perspective view of a hanger showing a second embodiment of our new design;
FIG. 9 is a front view thereof;
FIG. 10 is a rear view thereof;
FIG. 11 is a right side view thereof;
FIG. 12 is a left side view thereof;
FIG. 13 is a top view thereof; and
FIG. 14 is a bottom view thereof.
FIG. 15 is a front, top perspective view of a hanger showing a third embodiment of our new design;
FIG. 16 is a front view thereof;
FIG. 17 is a rear view thereof;
FIG. 18 is a right side view thereof;
FIG. 19 is a left side view thereof;
FIG. 20 is a top view thereof; and
FIG. 21 is a bottom view thereof.
FIG. 22 is a front, top perspective view of a hanger showing a fourth embodiment of our new design;
FIG. 23 is a front view thereof;
FIG. 24 is a rear view thereof;
FIG. 25 is a right side view thereof;
FIG. 26 is a left side view thereof;
FIG. 27 is a top view thereof; and
FIG. 28 is a bottom view thereof.
FIG. 29 is a front, top perspective view of a hanger showing a fifth embodiment of our new design;
FIG. 30 is a front view thereof;

FIG. 31 is a rear view thereof;
FIG. 32 is a right side view thereof;
FIG. 33 is a left side view thereof;
FIG. 34 is a top view thereof; and
FIG. 35 is a bottom view thereof.
FIG. 36 is a front, top perspective view of a hanger showing a sixth embodiment of our new design;
FIG. 37 is a front view thereof;
FIG. 38 is a rear view thereof;
FIG. 39 is a right side view thereof;
FIG. 40 is a left side view thereof;
FIG. 41 is a top view thereof; and
FIG. 42 is a bottom view thereof.
FIG. 43 is a front, top perspective view of a hanger showing a seventh embodiment of our new design;
FIG. 44 is a front view thereof;
FIG. 45 is a rear view thereof;
FIG. 46 is a right side view thereof;
FIG. 47 is a left side view thereof;
FIG. 48 is a top view thereof; and
FIG. 49 is a bottom view thereof.
The features shown in broken lines are portions of the hanger forming no part of the claimed design. The features shown in long dash-short dash bolded broken lines indicate the bounds of the claimed design and otherwise form no part of the claimed design.

1 Claim, 33 Drawing Sheets

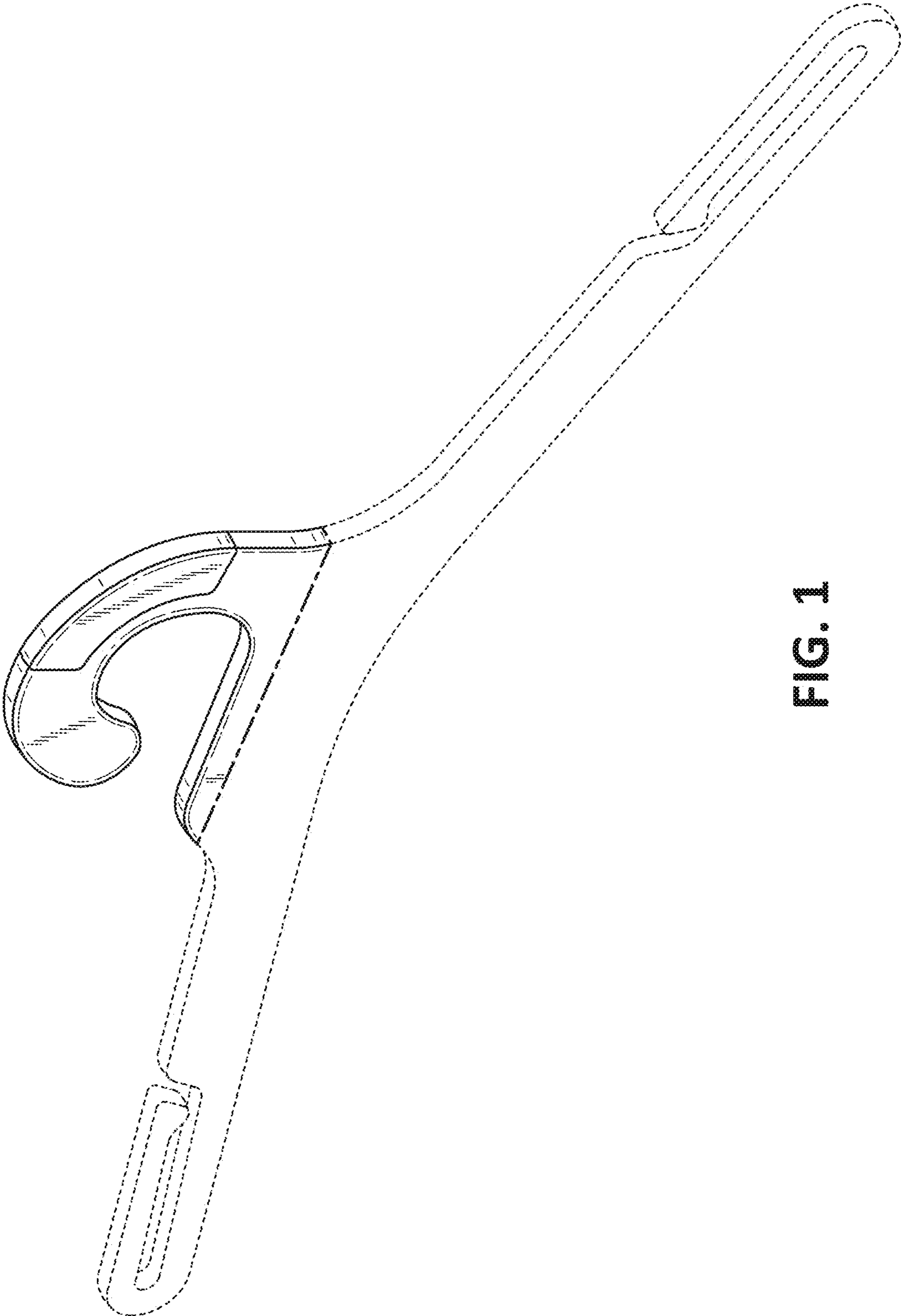


FIG. 1

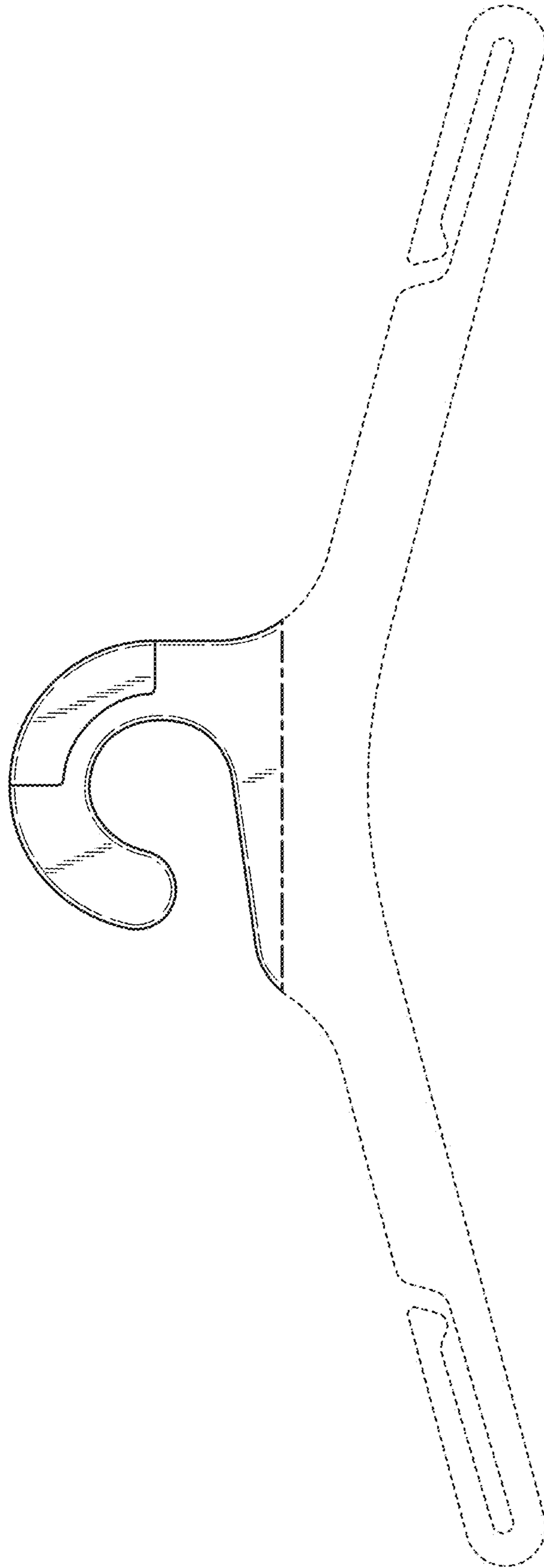


FIG. 2

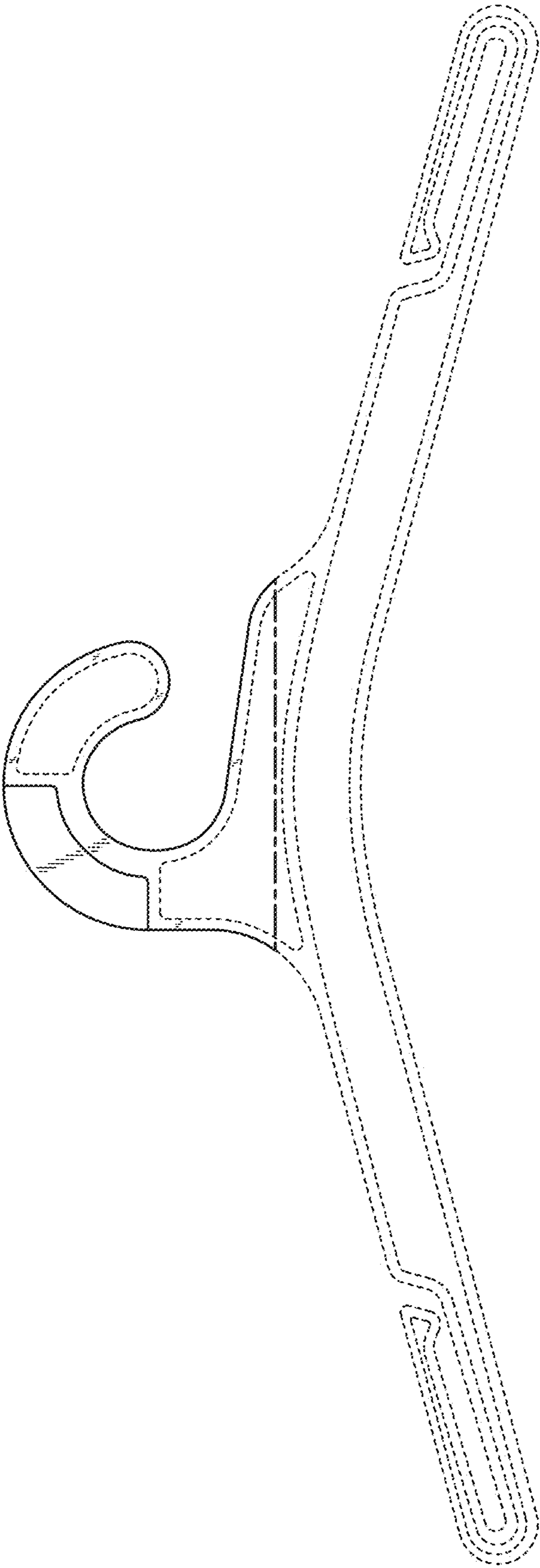


FIG. 3



FIG. 4



FIG. 5



FIG. 6

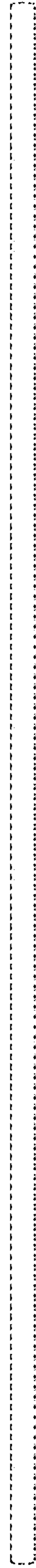


FIG. 7

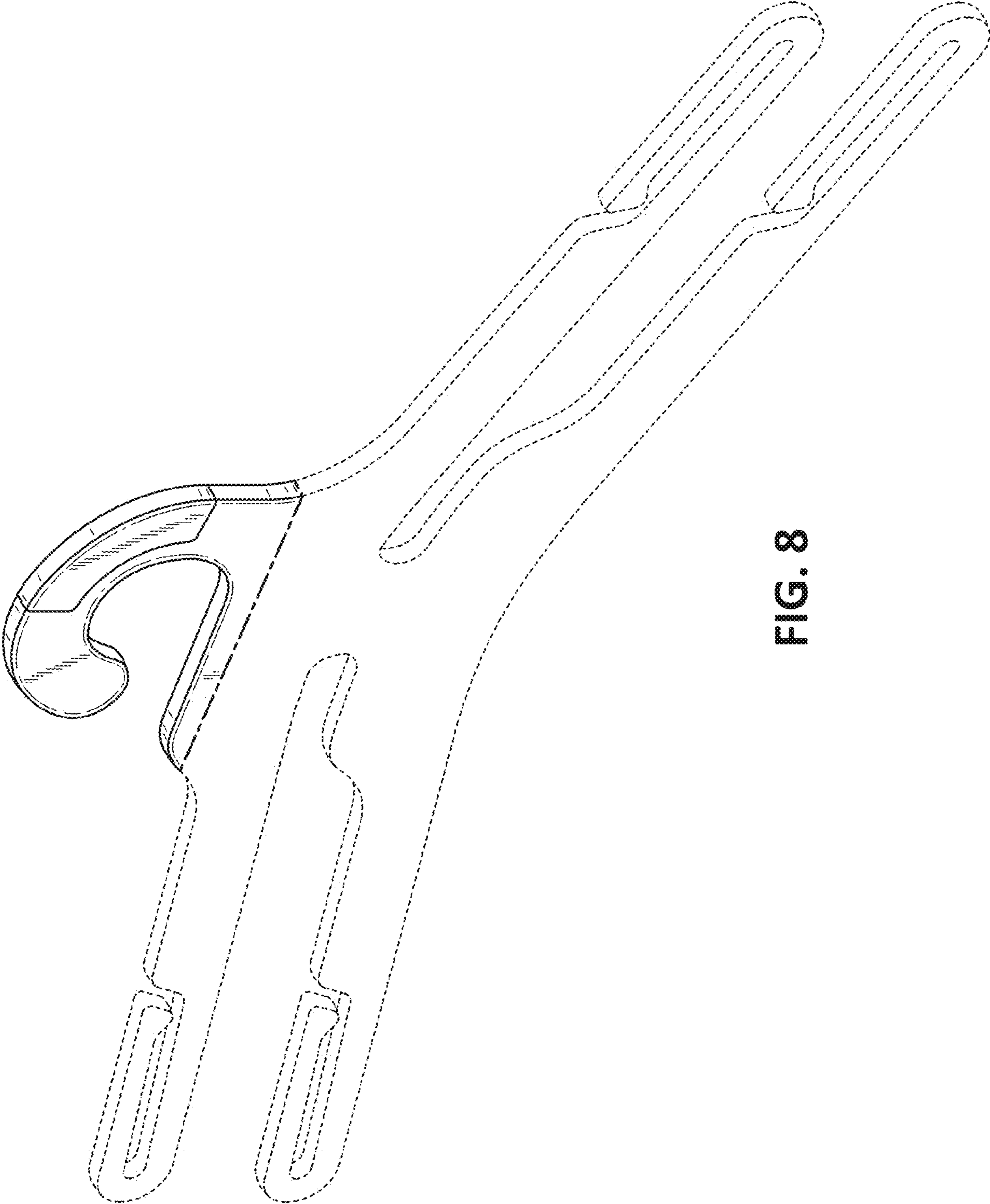


FIG. 8

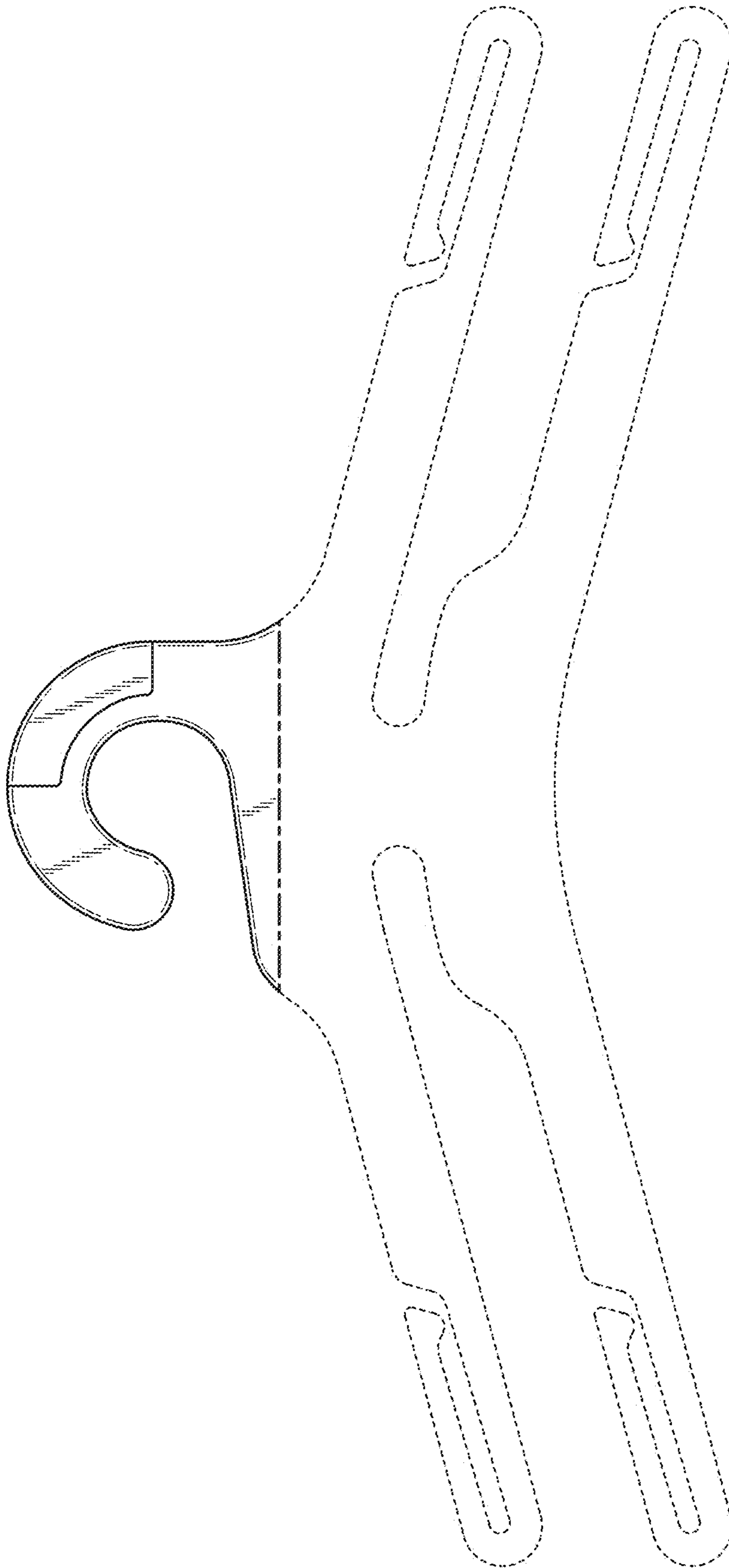


FIG. 9

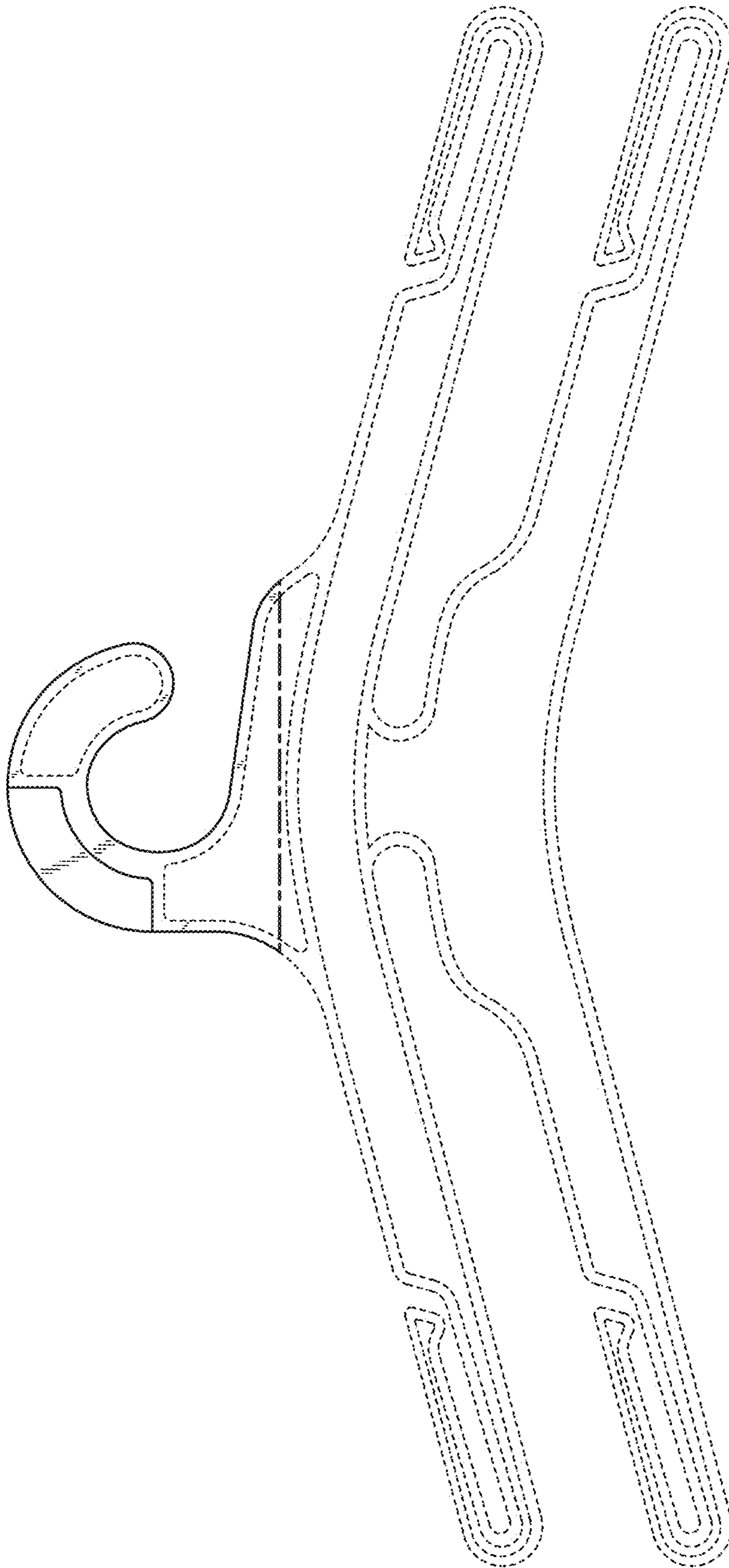


FIG. 10

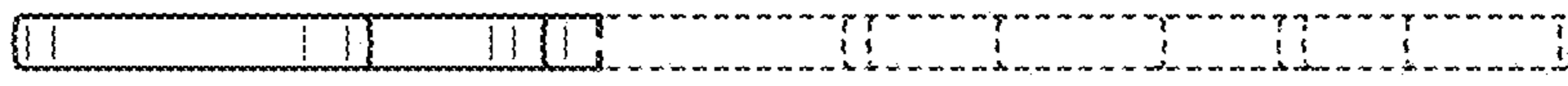


FIG. 11

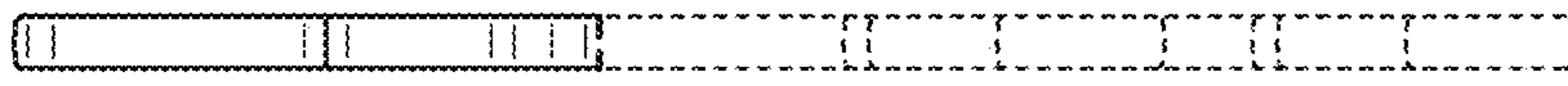


FIG. 12



FIG. 13



FIG. 14

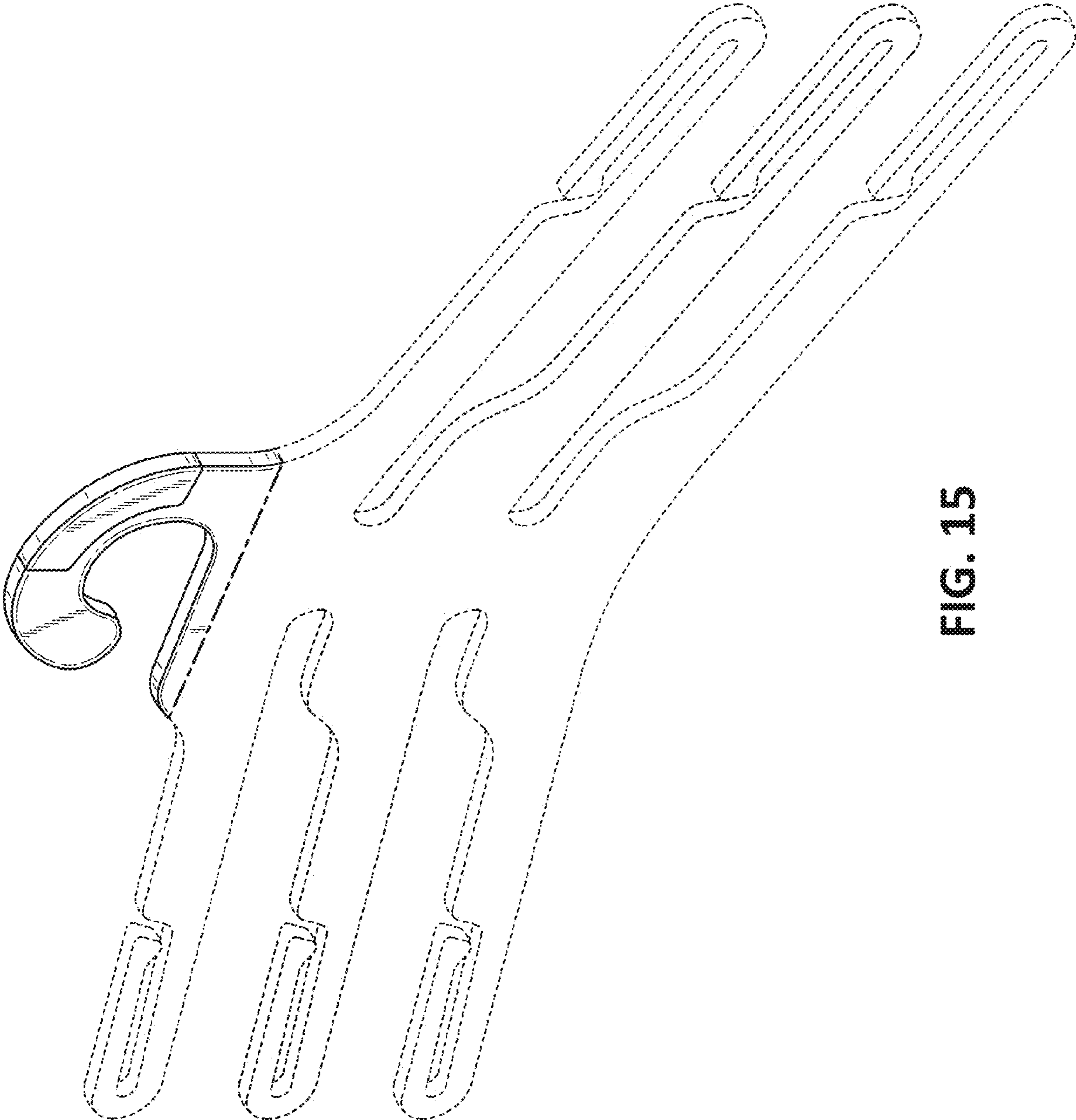


FIG. 15

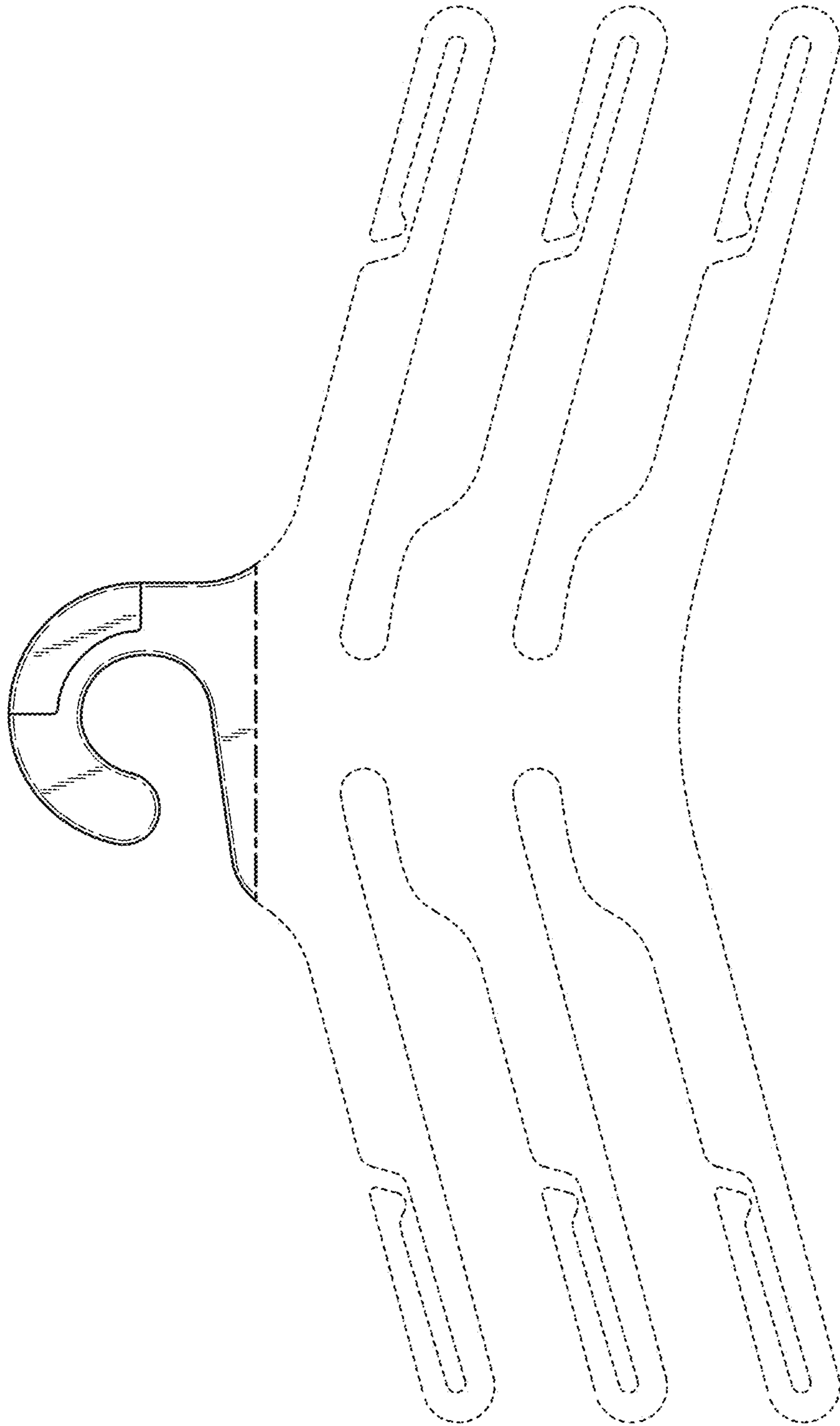


FIG. 16

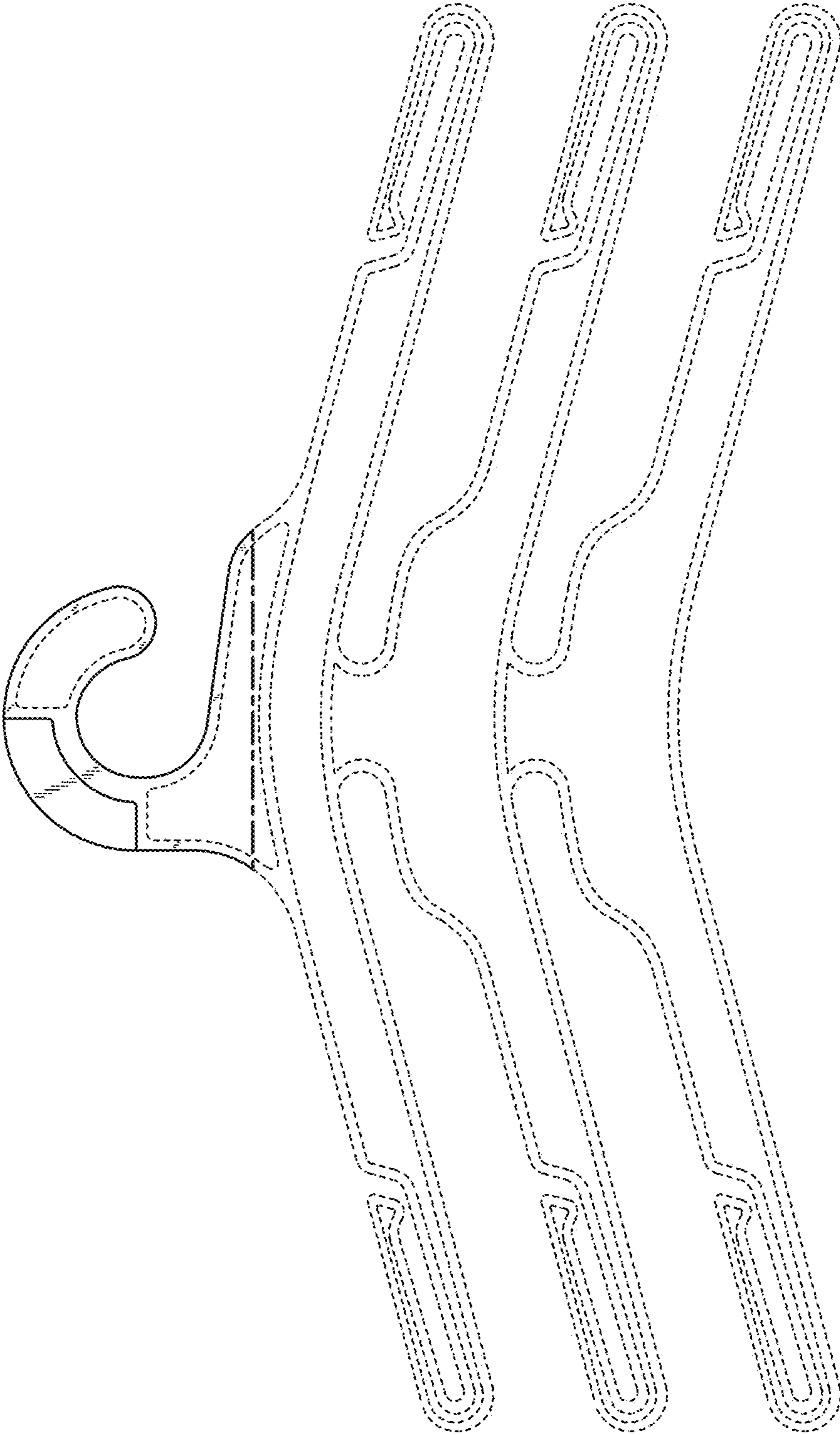


FIG. 17

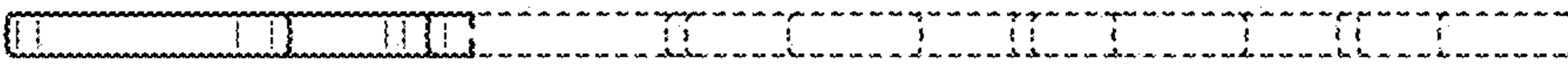


FIG. 19



FIG. 18



FIG. 20

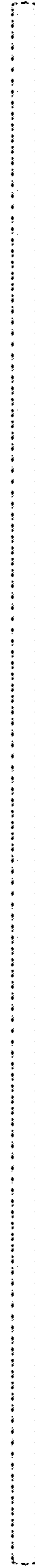


FIG. 21

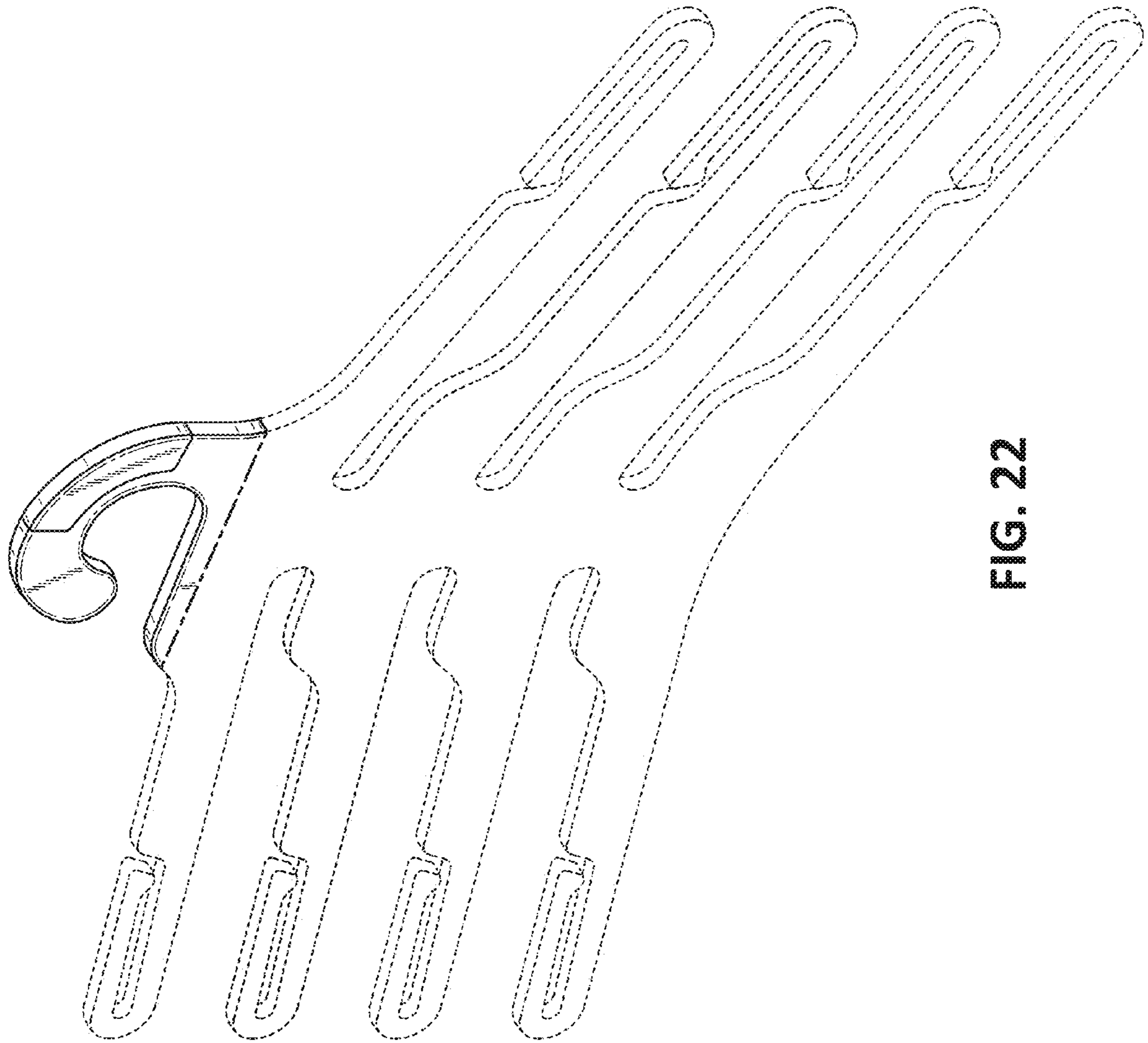


FIG. 22

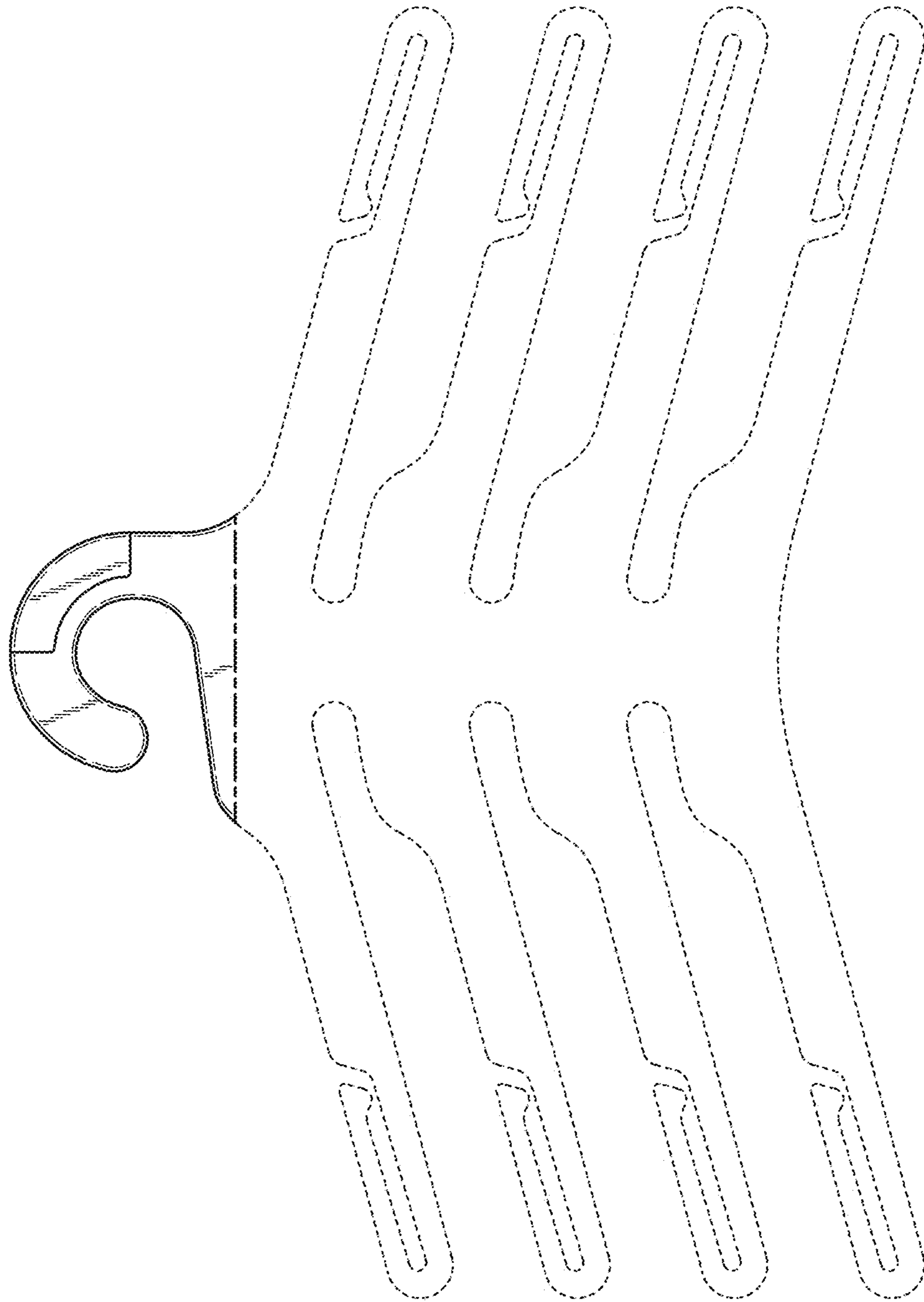


FIG. 23

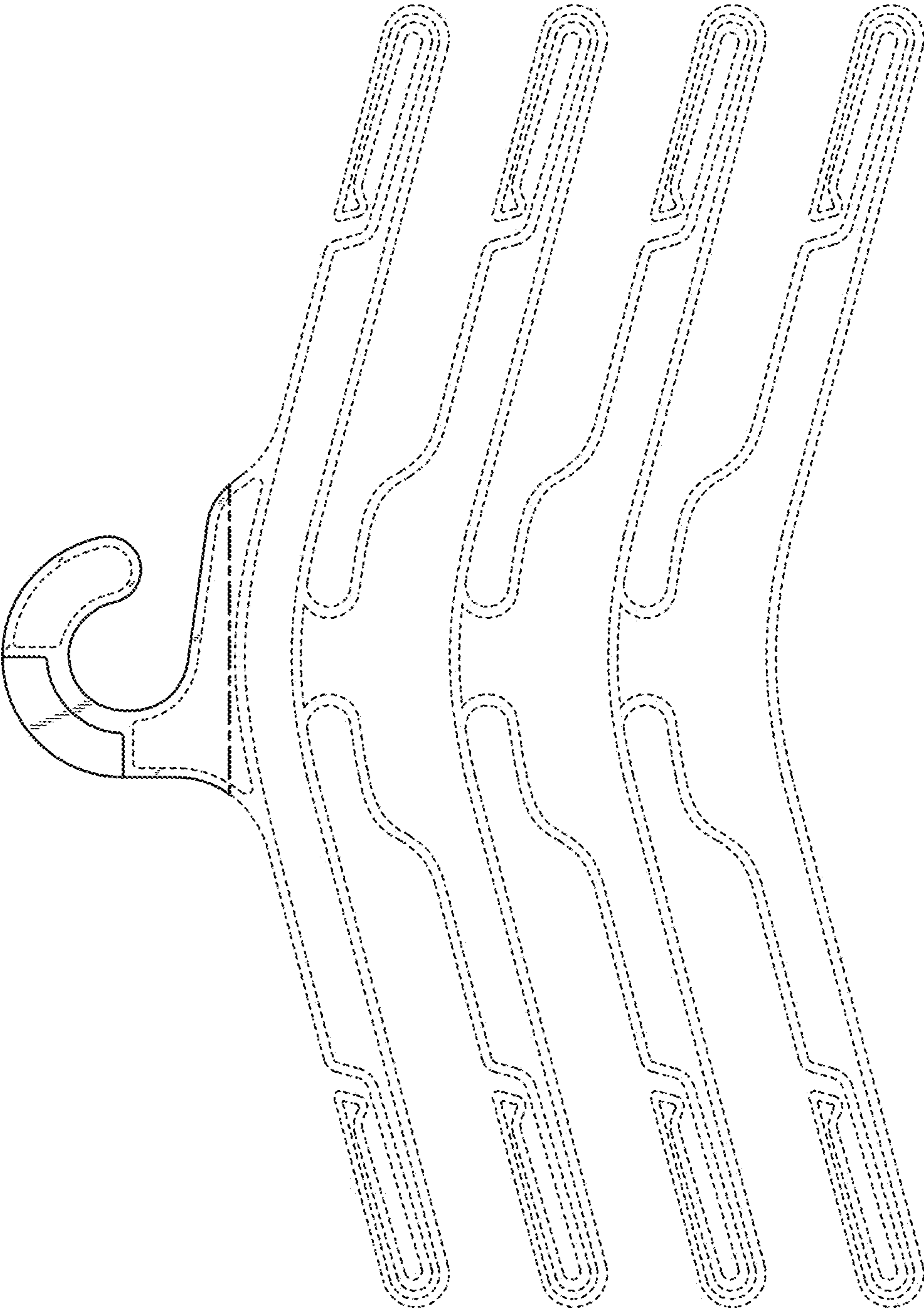


FIG. 24



FIG. 26

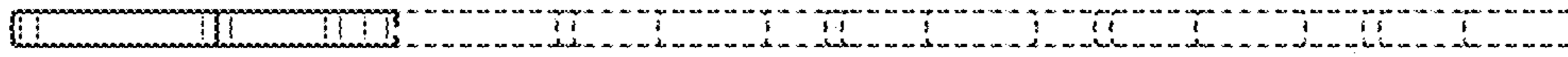


FIG. 25



FIG. 27

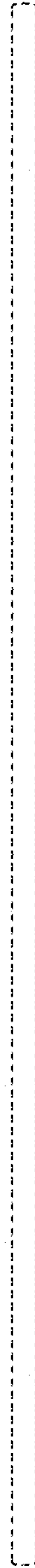


FIG. 28

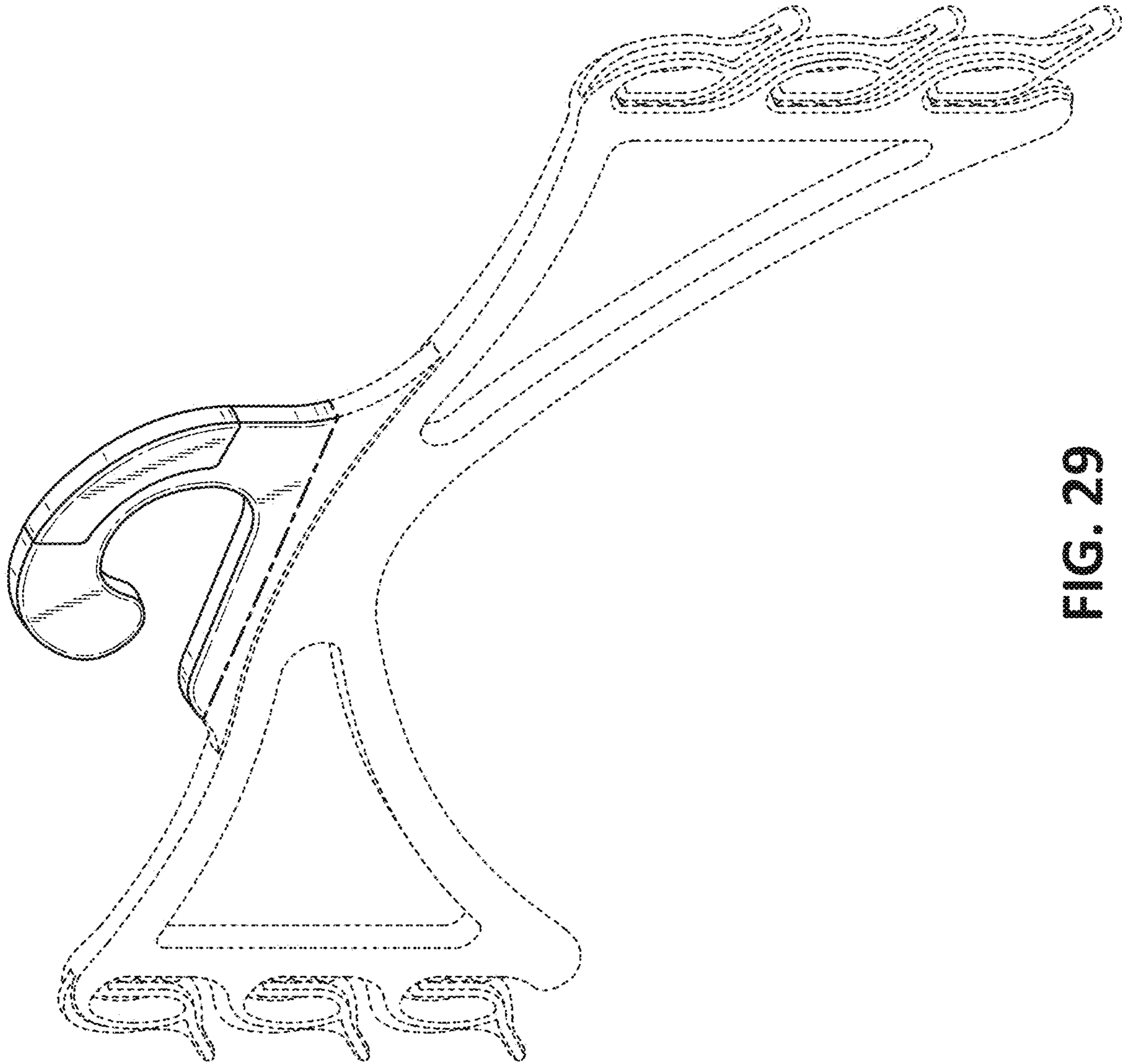


FIG. 29

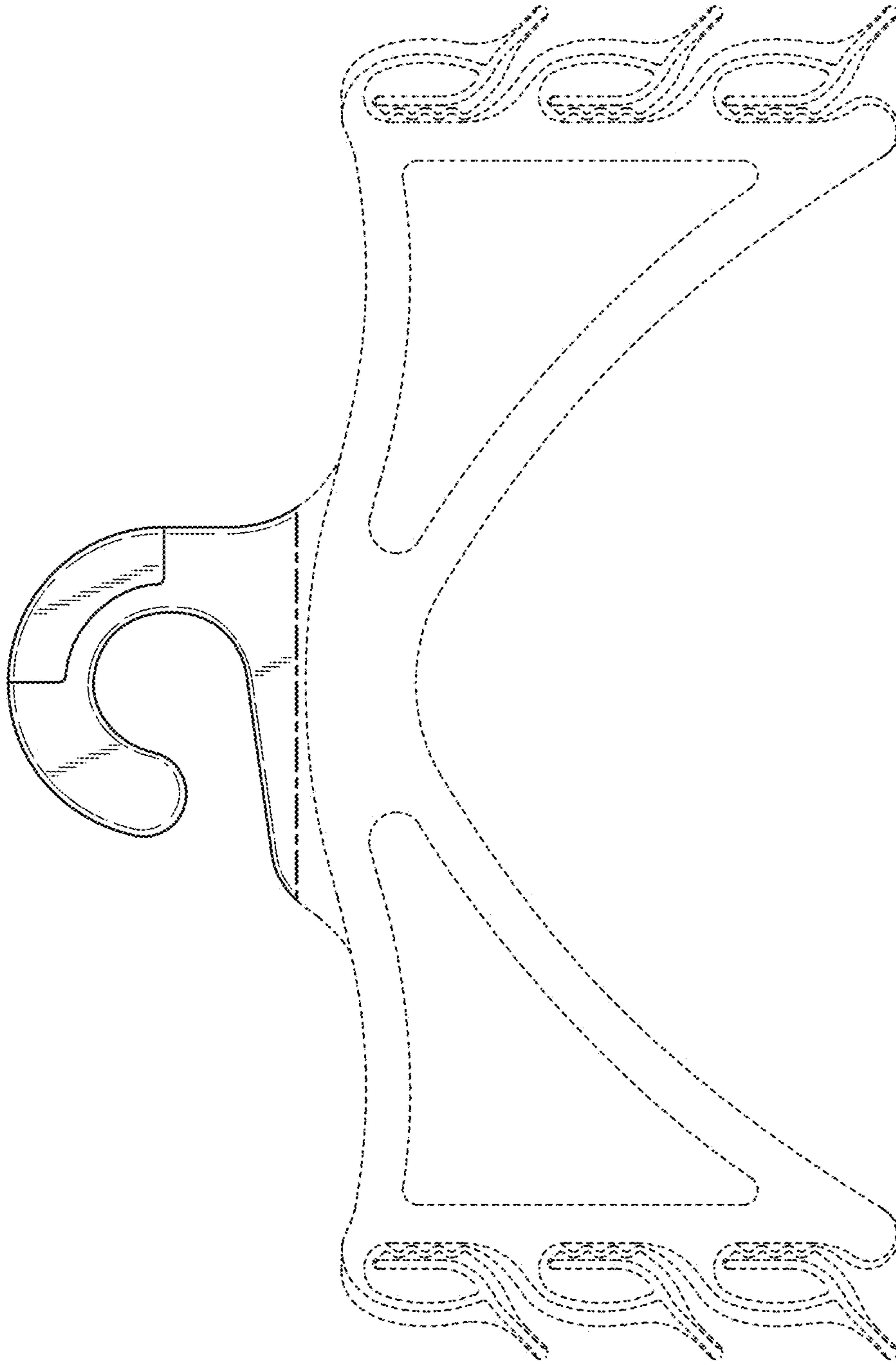


FIG. 30

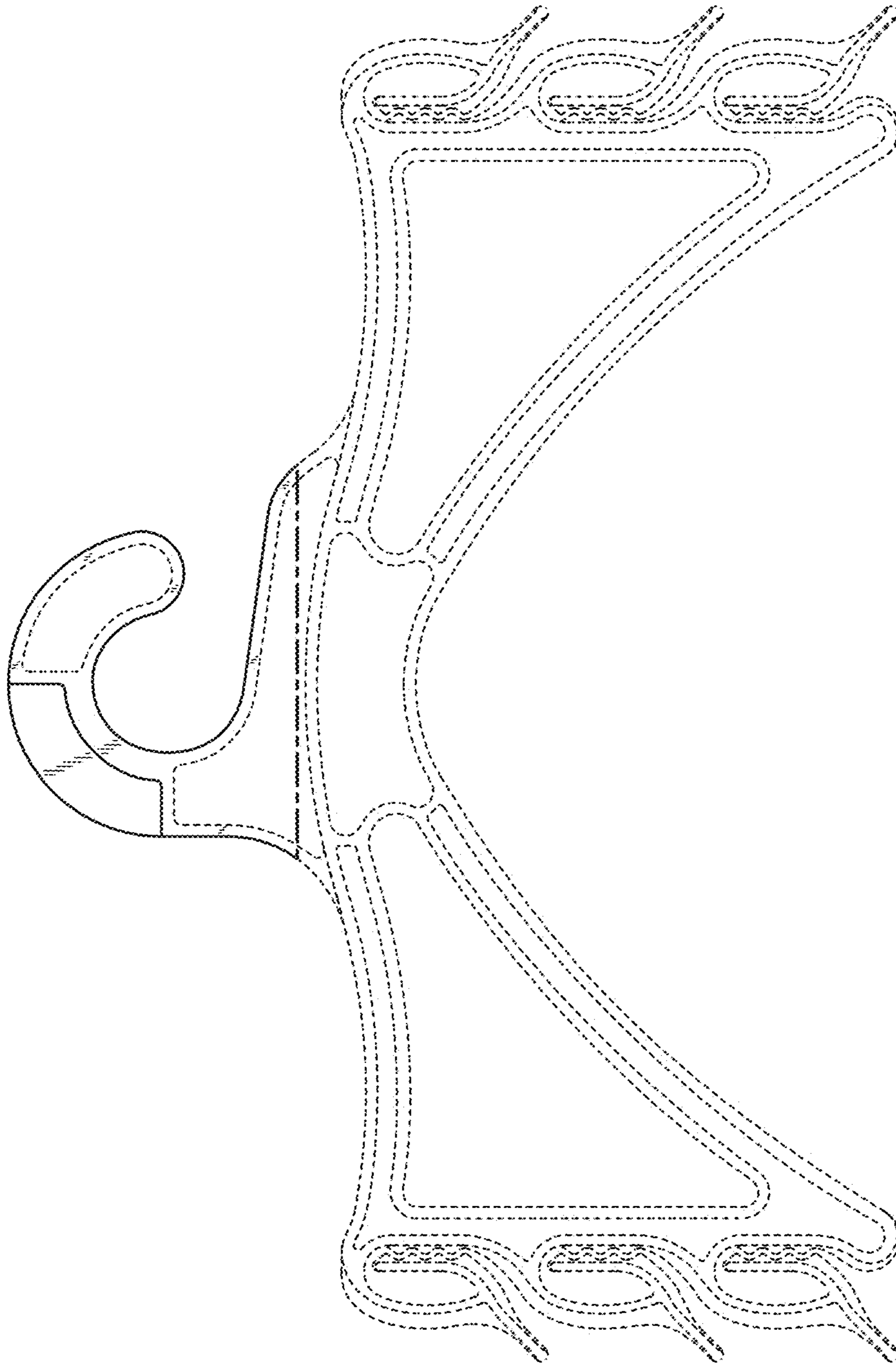


FIG. 31



FIG. 32

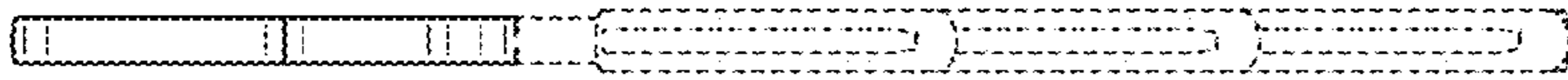


FIG. 33

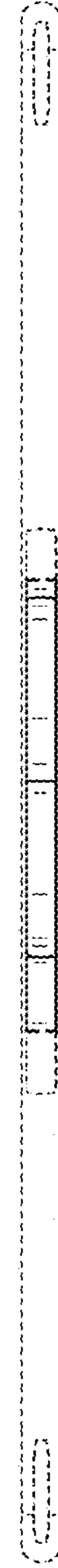


FIG. 34

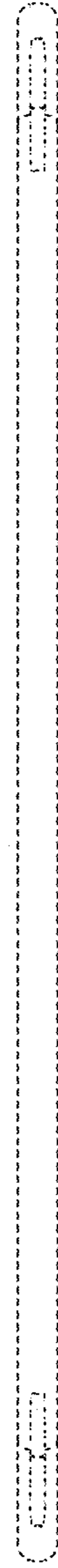


FIG. 35

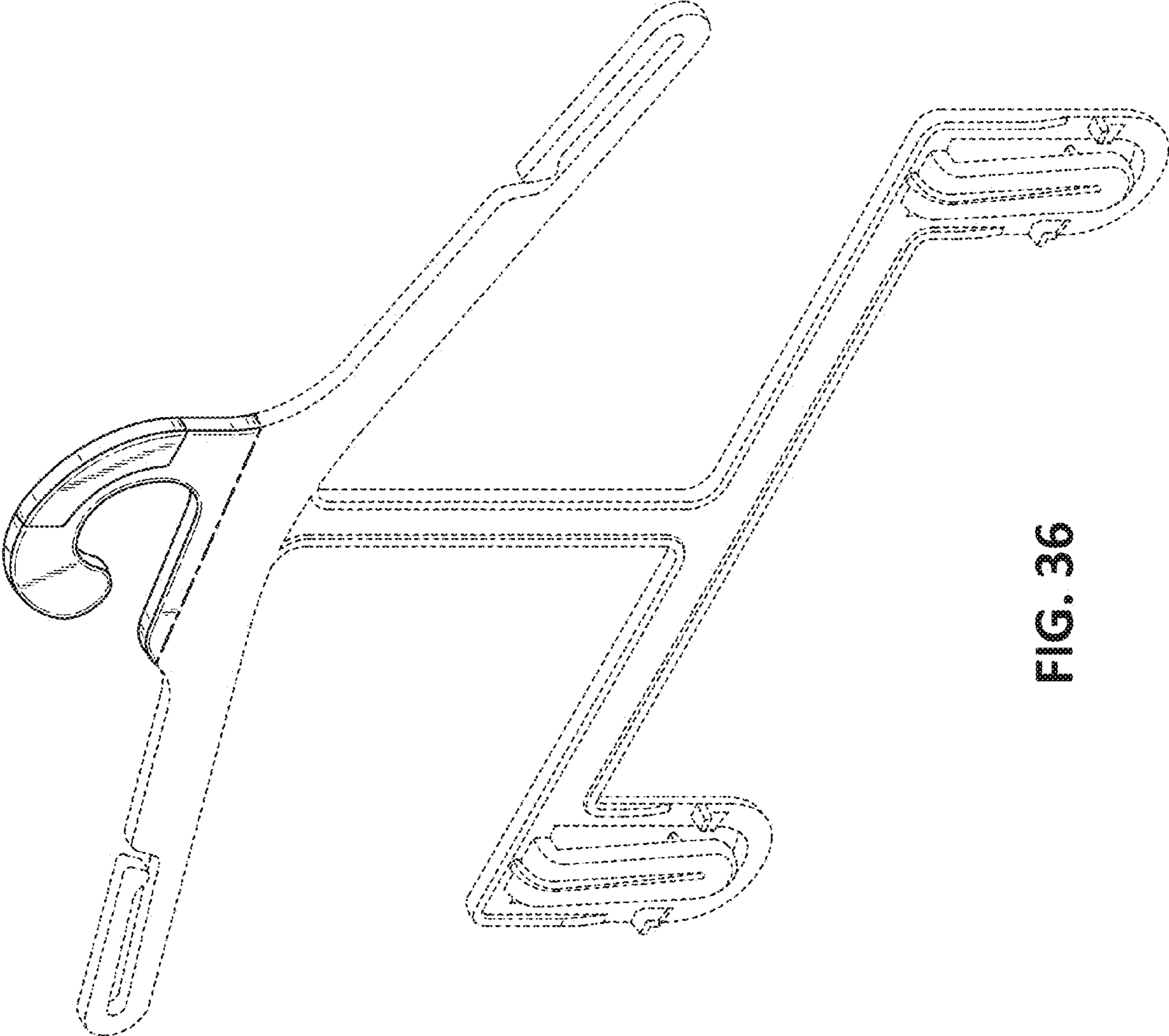


FIG. 36

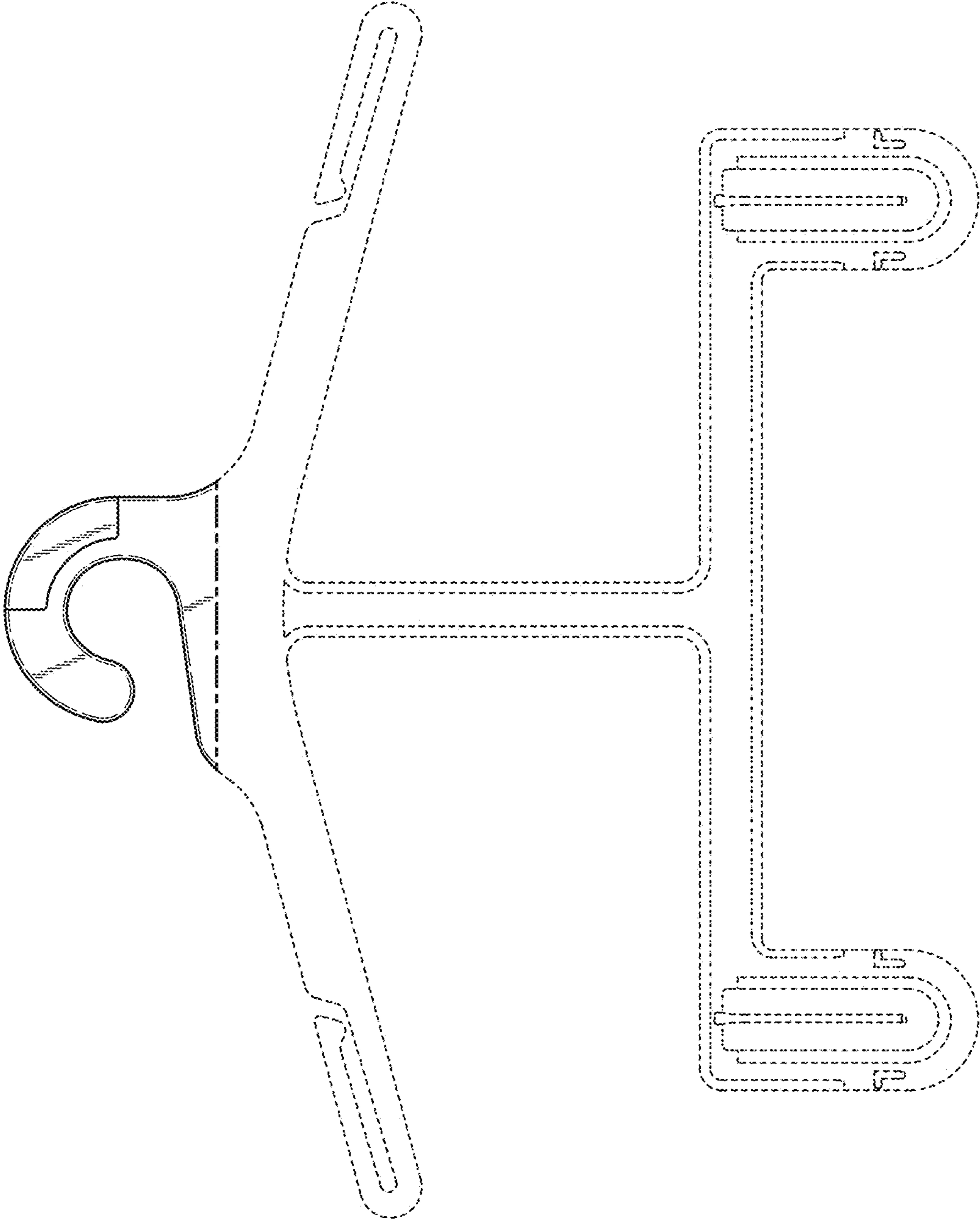


FIG. 37

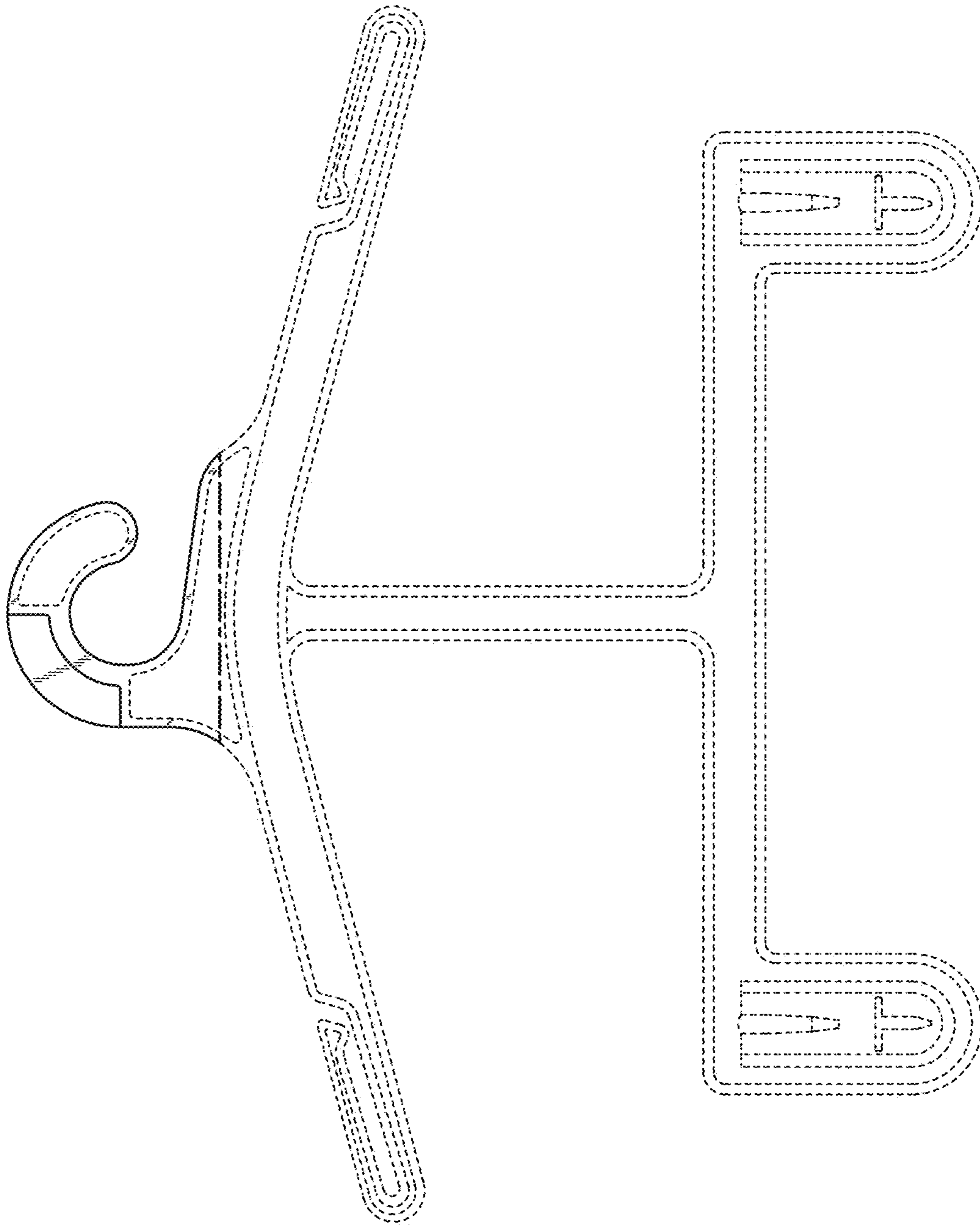


FIG. 38

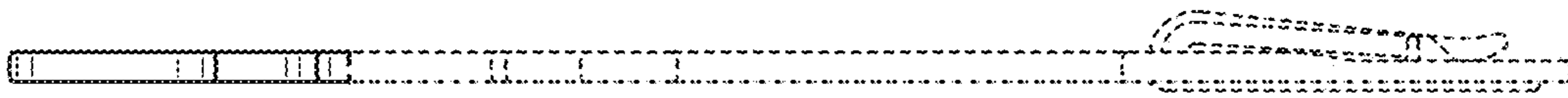


FIG. 39

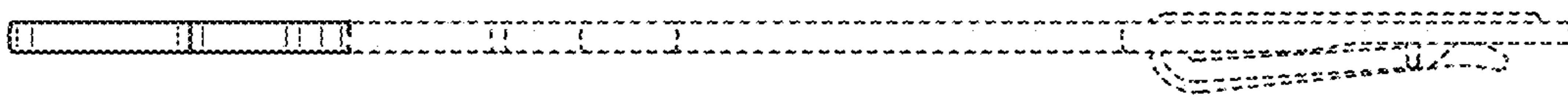


FIG. 40

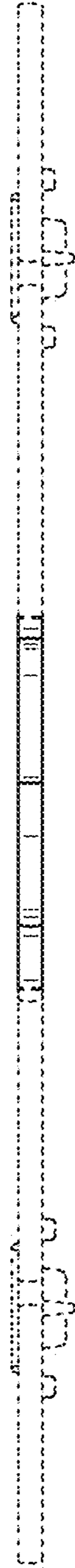


FIG. 41

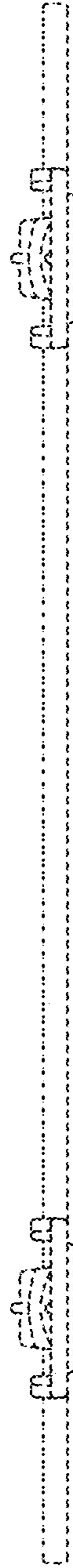


FIG. 42

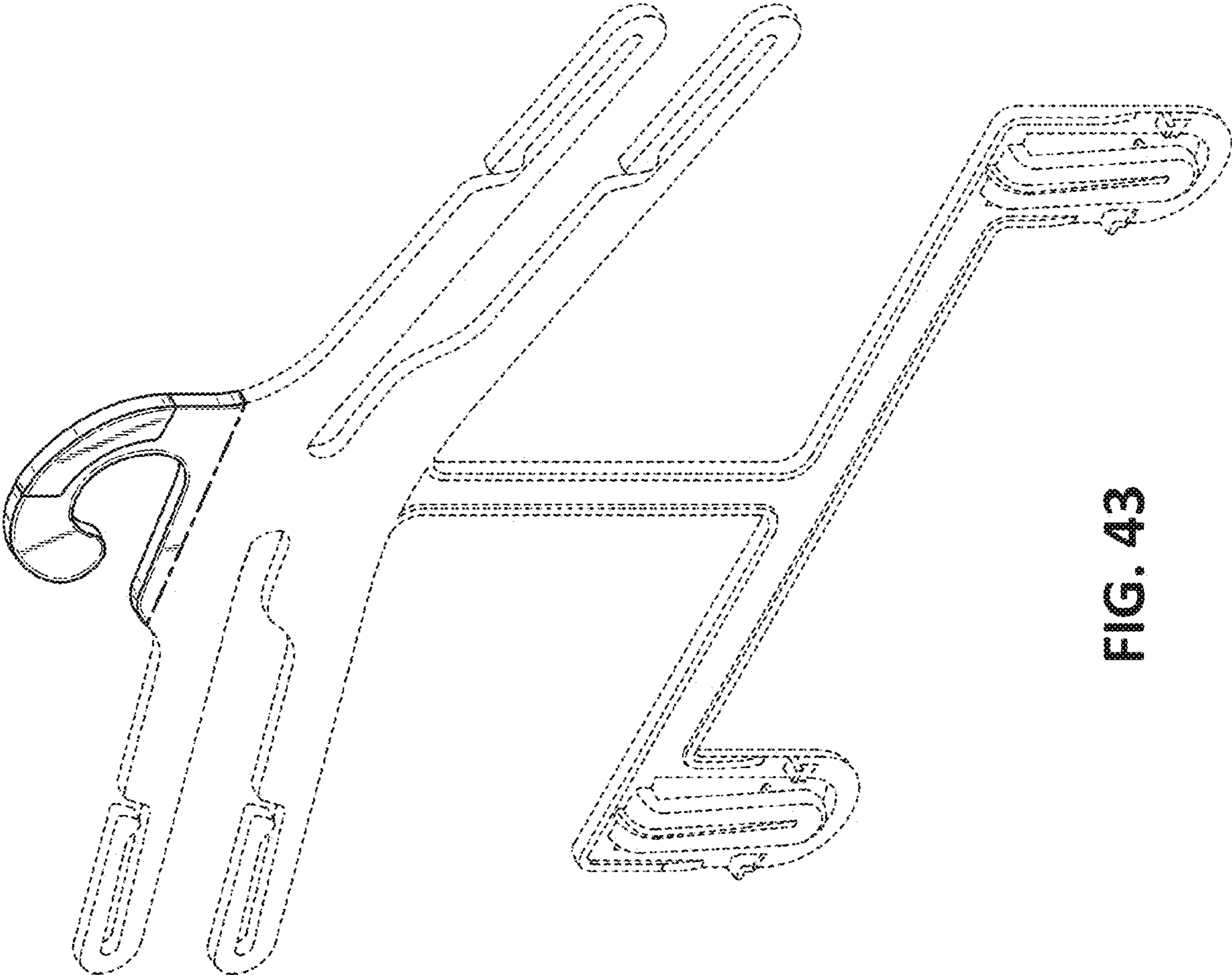


FIG. 43

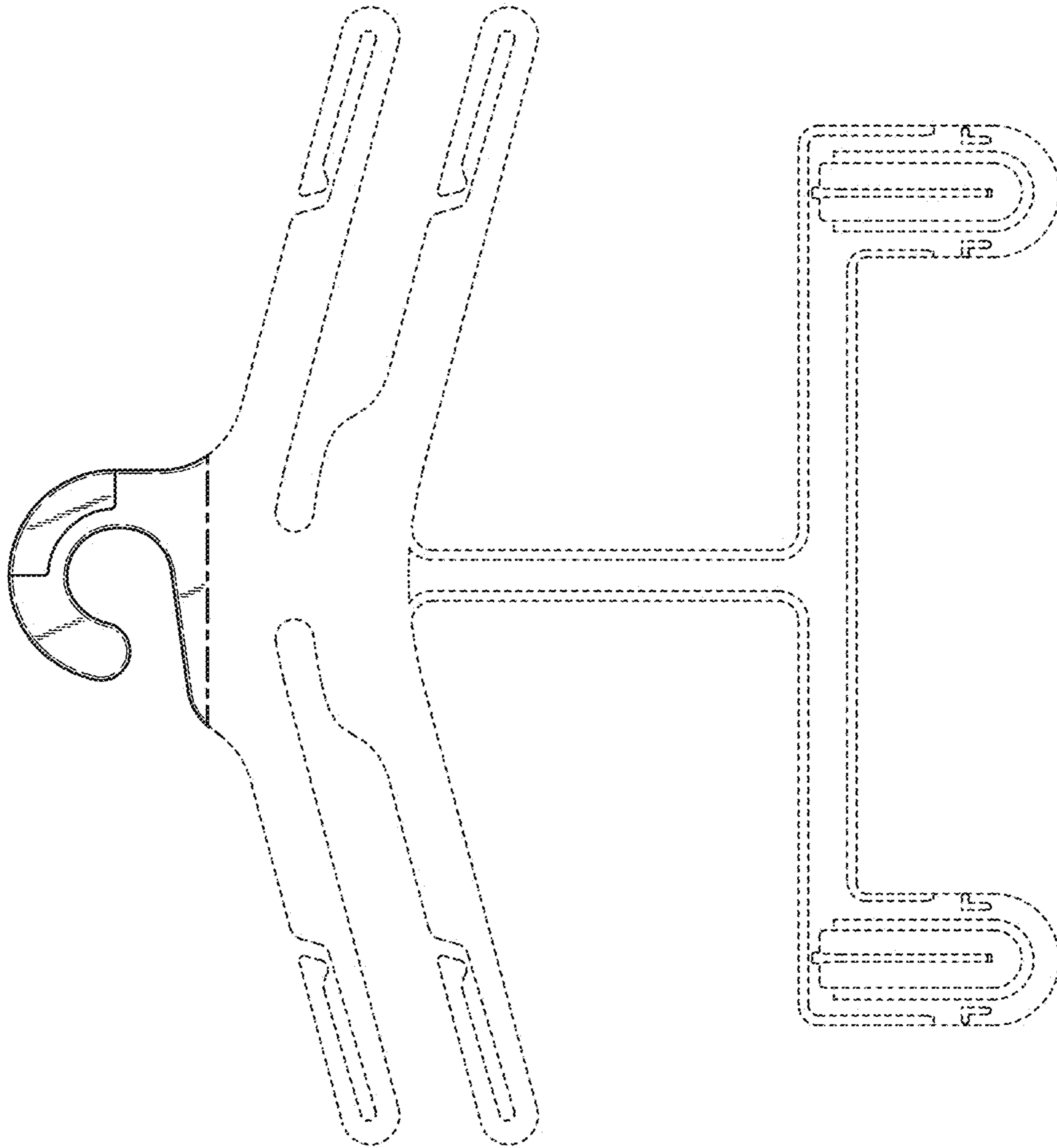


FIG. 44

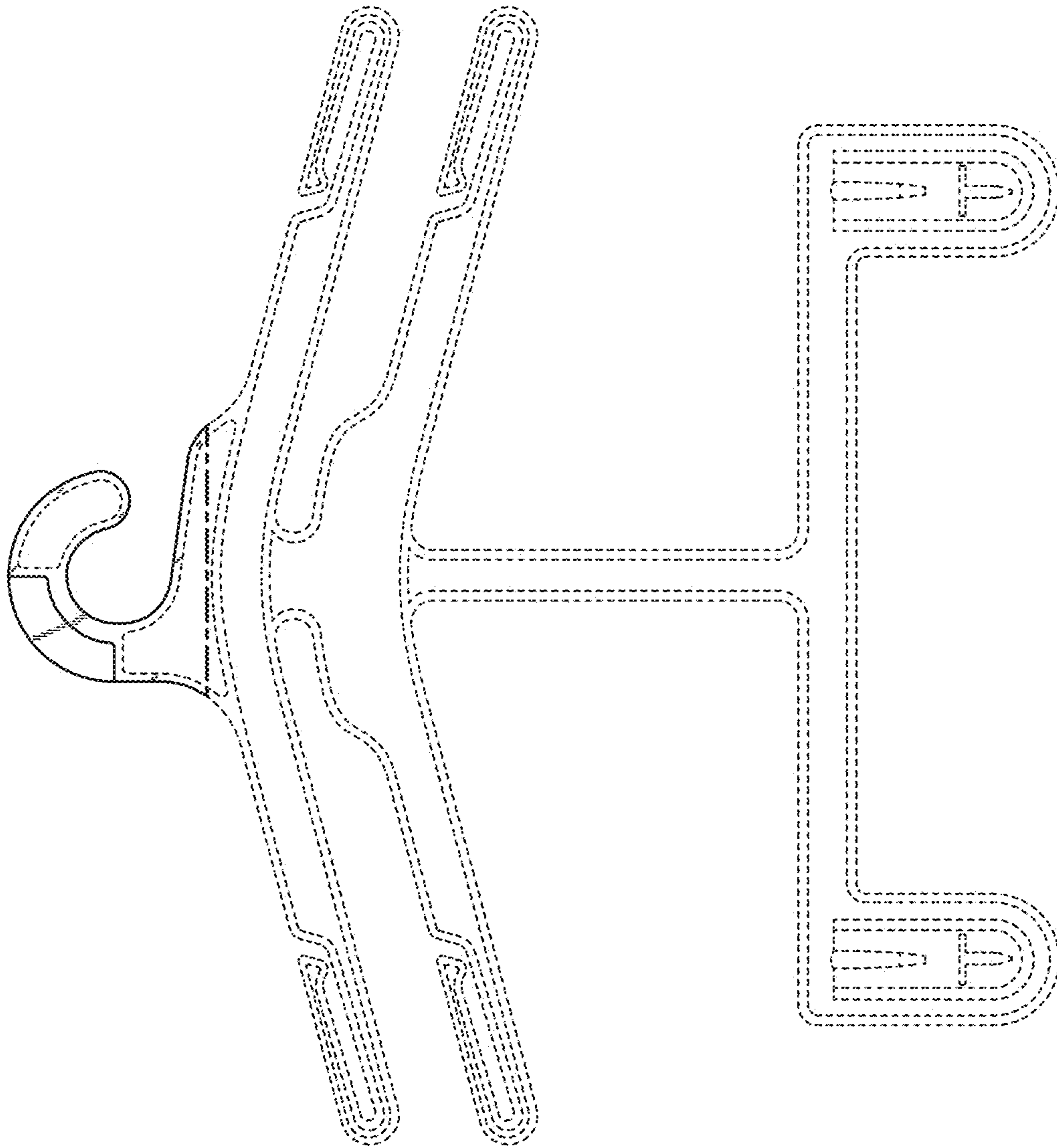


FIG. 45

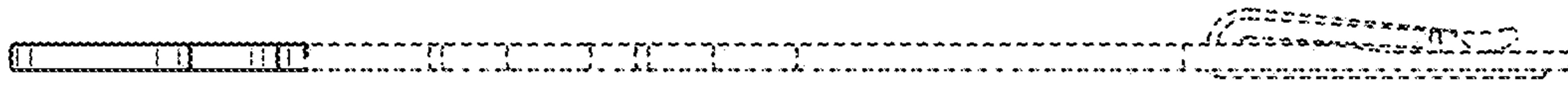


FIG. 47

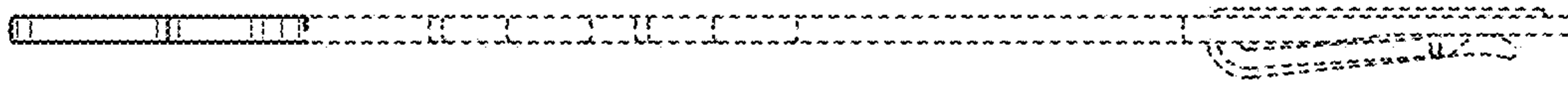


FIG. 46

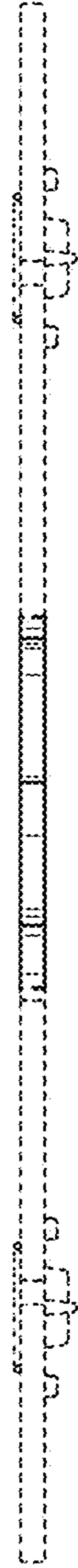


FIG. 48

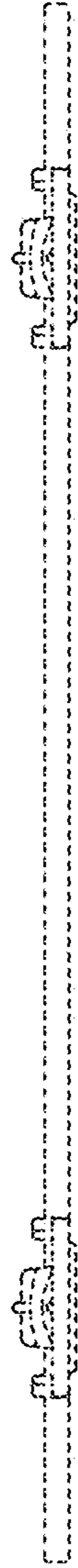


FIG. 49